

1. SPECIFICATION

AZ-2434S-PD

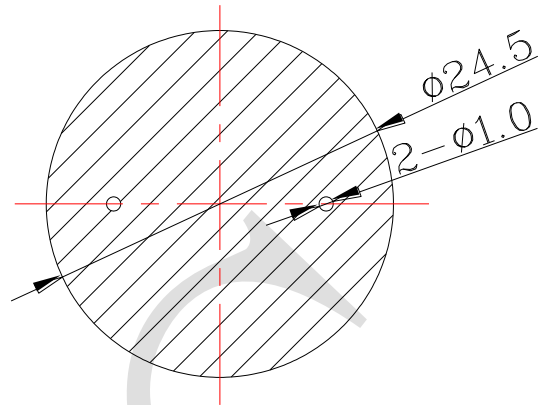
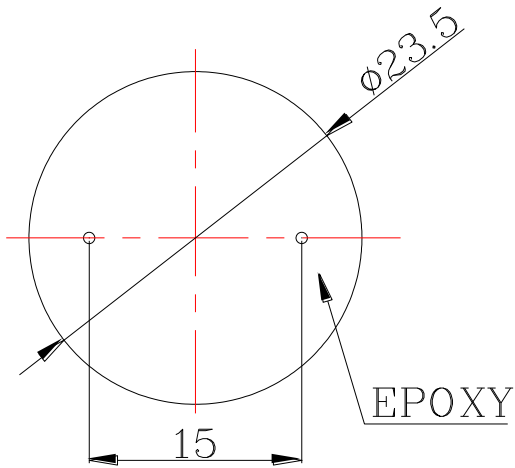
| ITEM | | UNITS | SPECIFICATIONS | CONDITIONS |
|------|---|----------|----------------|----------------------------------|
| 01 | Rated Voltage | V | 12 | VDC |
| 02 | Operating Voltage | V | 3~ 20 | |
| 03 | Rated Current | mA(Max) | 10 | Rated Voltage |
| 04 | Sound pressure level (Distance at 10cm) | dBA(Min) | 95 | Rated Voltage Rated Frequency |
| 05 | Rated Frequency | Hz | 3400 | Rated Voltage |
| 06 | Resonant Frequency | Hz | 3400± 500 | |

REV NO.

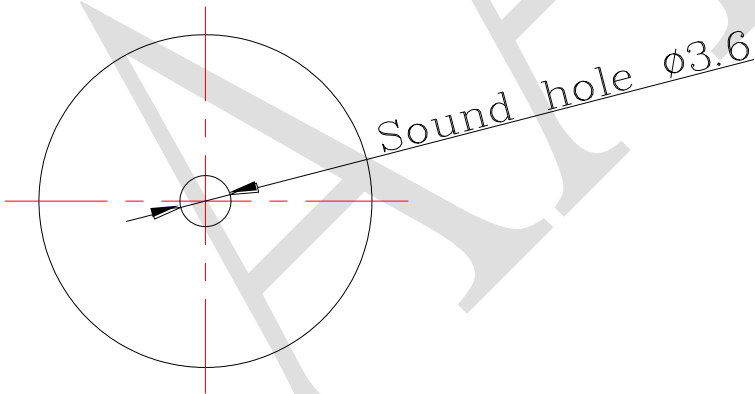
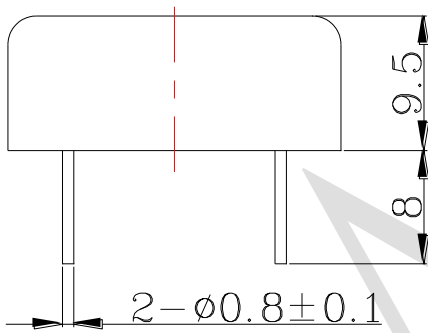
REVISION NOTE

APPROVAL

DATE



RECOMMEND PCB LAYOUT



RoHS

| | | | | |
|------------------------------|---|-----------------------------------|-------------------------------|---------------|
| TITLE: PIEZO BUZZER | | DRAWN: Jerry 2014/05/16 | SCALE: 2:1 | SHEET: 1 of 1 |
| PART NO. AZ-2434S-PD | 2 | DESIGNED: R & D OF AAT | UNITS: mm | |
| DWG NO. UGPM24AX3412P | | CHECKED: | TOLERANCE ± 0.5 | |
| REV | | APPROVAL: | UNLESS OTHERWISE SPECIFIED: | |
| | | MATERIAL: MPP0 | ONE PLACE DECIMAL \pm *** | |
| | | | TWO PLACE DECIMAL \pm *** | |
| | | | THREE PLACE DECIMAL \pm *** | |



ADVANCED ACOUSTIC TECHNOLOGY CORPORATION

For more information, please contact AATC.

AATC

X-ON Electronics

Largest Supplier of Electrical and Electronic Components

Click to view similar products for [Piezo Buzzers & Audio Indicators](#) category:

Click to view products by [AATC](#) manufacturer:

Other Similar products are found below :

[6-4](#) [ESZ-26B](#) [FDG111PLF](#) [F/DGX12P WITH LABEL LF](#) [F/EM12PLF](#) [F/NRMB 24 BLACK LF](#) [PF-35N29WQ](#) [PFD-21A29W](#) [PFD-27A35PQ](#) [PL-21N30WQ](#) [PLD-21N30W](#) [PLD-21N30WQ](#) [PT-3534FP](#) [B822B](#) [S6109](#) [SBM616PR](#) [SC110E](#) [SC2036ACP](#) [SC616N-2](#) [SC628FW](#) [SC628MPG](#) [SC648D](#) [SCS045MD9DT3S](#) [ESZ-25B-5-250B](#) [ESZ-25S](#) [FCM12PLF](#) [F/EB20P-DR LF](#) [AI-4228-TF-LW305-R](#) [FSMD8585JSLF](#) [F/TCW 05 WITH LABEL LF](#) [F/TCW 12 WITH LABEL LF](#) [F/UCW 03 WITH LABEL LF](#) [PFD-27N36W](#) [PKM35-4A0](#) [PL-35N29WQ](#) [PLD-27A35PQ](#) [KBS-20DA-7AS](#) [KBS-27DA-5C-105](#) [LSC628ANR](#) [RTO-1R07-001](#) [SC110FK](#) [SC628AF](#) [SC628FJ](#) [SC628HP](#) [PL-21N31PQ](#) [F-B-P1405ISB LF](#) [F/DGX 05P WITH LABEL LF](#) [MSR516NP](#) [STA22702W](#) [STA20502](#)