

1. SPECIFICATION

AZ-2437S-P-LF

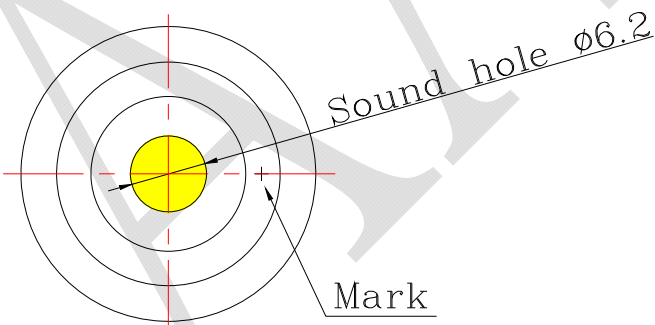
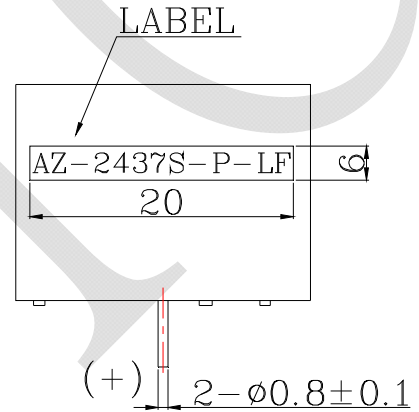
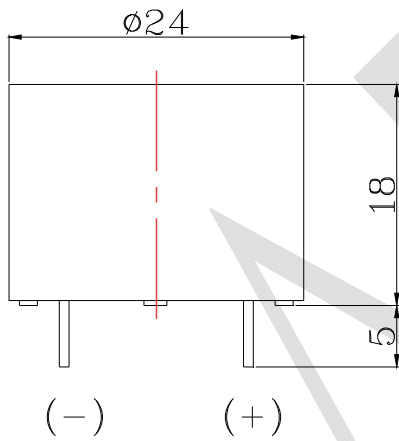
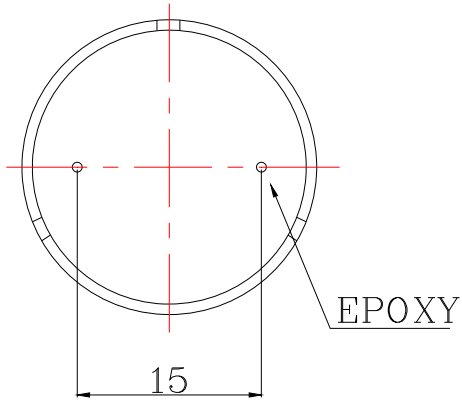
ITEM		UNITS	SPECIFICATIONS	CONDITIONS
01	Rated Voltage	V	12	VDC
02	Operating Voltage	V	3~ 16	
03	Rated Current	mA(Max)	8	Rated Voltage
04	Sound pressure level (Distance at 30cm)	dBA(Min)	90	Rated Voltage Rated Frequency
05	Rated Frequency	Hz	3700	Rated Voltage
06	Resonant Frequency	Hz	3700± 500	
07	Tone Nature	Single		
08	Operating Temp.	°C	-20 ~ +70	
09	Storage Temp.	°C	-40 ~ +80	
10	Weight	g	5.2	

REV NO.

REVISION NOTE

APPROVAL

DATE



RoHS

TITLE:	PIEZO BUZZER	DRAWN:	Jerry 2014/03/20	SCALE:	2:1	SHEET:	1 of 1
PART NO.	AZ-2437S-P-LF	DESIGNED:	R & D OF AAT	UNITS:	mm	TOLERANCE	± 0.5
DWG NO.	UGPM24BX3712P	1	CHECKED:	UNLESS OTHERWISE SPECIFIED:			
		REV	APPROVAL:	ONE PLACE DECIMAL ± ***			
			MATERIAL:	TWO PLACE DECIMAL ± ***			
			NORYL	THREE PLACE DECIMAL ± ***			



ADVANCED ACOUSTIC TECHNOLOGY CORPORATION

For more information, please contact AATC.

AATC

X-ON Electronics

Largest Supplier of Electrical and Electronic Components

Click to view similar products for [Piezo Buzzers & Audio Indicators](#) category:

Click to view products by [AATC](#) manufacturer:

Other Similar products are found below :

[6-4](#) [ESZ-26B](#) [FDG111PLF](#) [F/DGX12P WITH LABEL LF](#) [F/EM12PLF](#) [F/NRMB 24 BLACK LF](#) [PF-35N29WQ](#) [PFD-21A29W](#) [PFD-27A35PQ](#) [PL-21N30WQ](#) [PLD-21N30W](#) [PLD-21N30WQ](#) [PT-3534FP](#) [B822B](#) [S6109](#) [SBM616PR](#) [SC110E](#) [SC2036ACP](#) [SC616N-2](#) [SC628FW](#) [SC628MPG](#) [SC648D](#) [SCS045MD9DT3S](#) [ESZ-25B-5-250B](#) [ESZ-25S](#) [FCM12PLF](#) [F/EB20P-DR LF](#) [AI-4228-TF-LW305-R](#) [FSMD8585JSLF](#) [F/TCW 05 WITH LABEL LF](#) [F/TCW 12 WITH LABEL LF](#) [F/UCW 03 WITH LABEL LF](#) [PFD-27N36W](#) [PKM35-4A0](#) [PL-35N29WQ](#) [PLD-27A35PQ](#) [KBS-20DA-7AS](#) [KBS-27DA-5C-105](#) [LSC628ANR](#) [RTO-1R07-001](#) [SC110FK](#) [SC628AF](#) [SC628FJ](#) [SC628HP](#) [PL-21N31PQ](#) [F-B-P1405ISB LF](#) [F/DGX 05P WITH LABEL LF](#) [MSR516NP](#) [STA22702W](#) [STA20502](#)