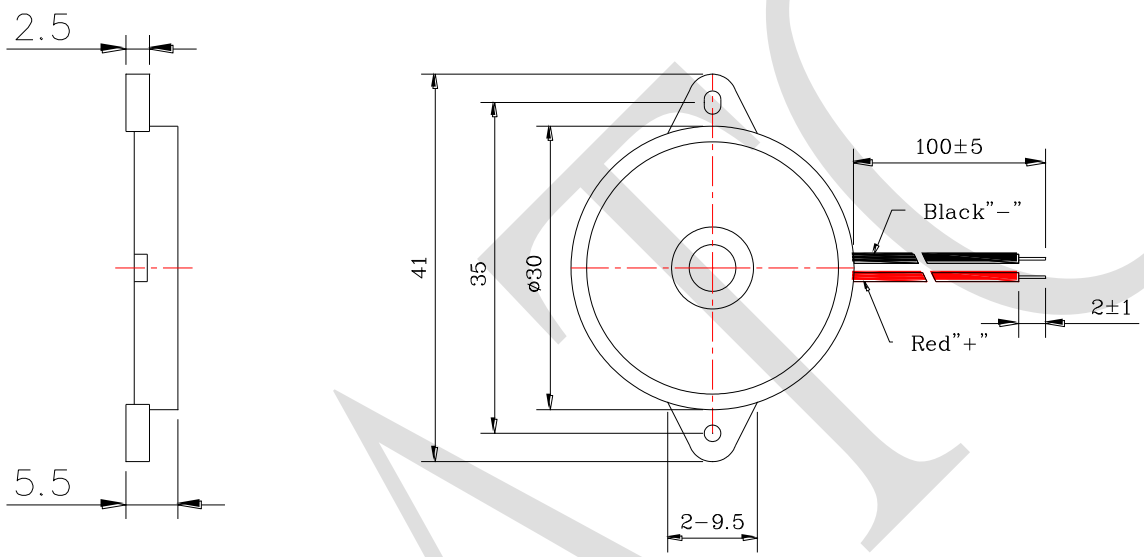


## 1. SPECIFICATION

AZ-3035E-W1-LF

ITEM		UNITS	SPECIFICATIONS	CONDITIONS
01	Rated Voltage	V	9	Vp-p (Square Wave) 1/2 duty
02	Operating Voltage	V	1 ~ 30	
03	Rated Current	mA(Max)	8	Rated Voltage
04	Sound pressure level (Distance at 10cm )	dBA(Min)	88	Rated Voltage Rated Frequency
05	Resonant Frequency	Hz	3500 ± 300	Rated Voltage
06	Capacitance	pF	20000±30%	At 120Hz

REV NO.	REVISION NOTE	APPROVAL	DATE
---------	---------------	----------	------



WIRE:UL1571 AWG 32#

RoHS

TITLE: <i>PIEZO BUZZER</i>		DRAWN: <b>Zack</b> 2014/06/11	SCALE: 2:1	SHEET: 1:1
PART NO. <i>AZ-3035E-W1-LF</i>	<b>3</b>	DESIGNED: R&D OF AAT	UNITS: mm	
DWG NO. <i>UGPA30F3509W100</i>		CHECKED:	TOLERANCE ± 0.5	
REV		APPROVAL:	UNLESS OTHERWISE SPECIFIED: ONE PLACE DECIMAL ± *** TWO PLACE DECIMAL ± *** THREE PLACE DECIMAL ± ***	
		MATERIAL: ABS		



**ADVANCED ACOUSTIC TECHNOLOGY CORPORATION**

For more information, please contact AATC.

AATC

## X-ON Electronics

Largest Supplier of Electrical and Electronic Components

*Click to view similar products for [Piezo Buzzers & Audio Indicators](#) category:*

*Click to view products by [AATC](#) manufacturer:*

Other Similar products are found below :

[6-4](#) [ESZ-26B](#) [FDG111PLF](#) [F/DGX12P WITH LABEL LF](#) [F/EM12PLF](#) [F/NRMB 24 BLACK LF](#) [PF-35N29WQ](#) [PFD-21A29W](#) [PFD-27A35PQ](#) [PL-21N30WQ](#) [PLD-21N30W](#) [PLD-21N30WQ](#) [PT-3534FP](#) [B822B](#) [S6109](#) [SBM616PR](#) [SC110E](#) [SC2036ACP](#) [SC616N-2](#) [SC628FW](#) [SC628MPG](#) [SC648D](#) [SCS045MD9DT3S](#) [ESZ-25B-5-250B](#) [ESZ-25S](#) [FCM12PLF](#) [F/EB20P-DR LF](#) [AI-4228-TF-LW305-R](#) [FSMD8585JSLF](#) [F/TCW 05 WITH LABEL LF](#) [F/TCW 12 WITH LABEL LF](#) [F/UCW 03 WITH LABEL LF](#) [PFD-27N36W](#) [PKM35-4A0](#) [PL-35N29WQ](#) [PLD-27A35PQ](#) [KBS-20DA-7AS](#) [KBS-27DA-5C-105](#) [LSC628ANR](#) [RTO-1R07-001](#) [SC110FK](#) [SC628AF](#) [SC628FJ](#) [SC628HP](#) [PL-21N31PQ](#) [F-B-P1405ISB LF](#) [F/DGX 05P WITH LABEL LF](#) [MSR516NP](#) [STA22702W](#) [STA20502](#)