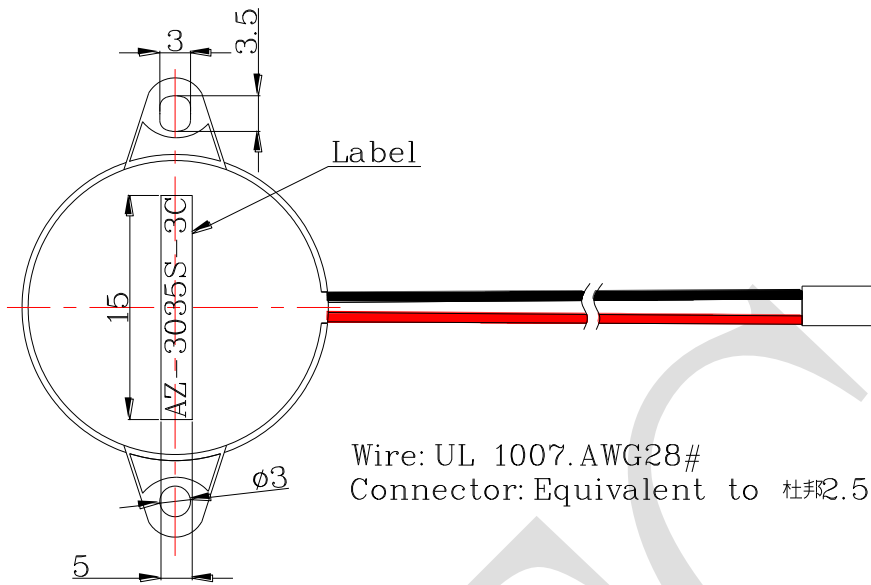


1. SPECIFICATION

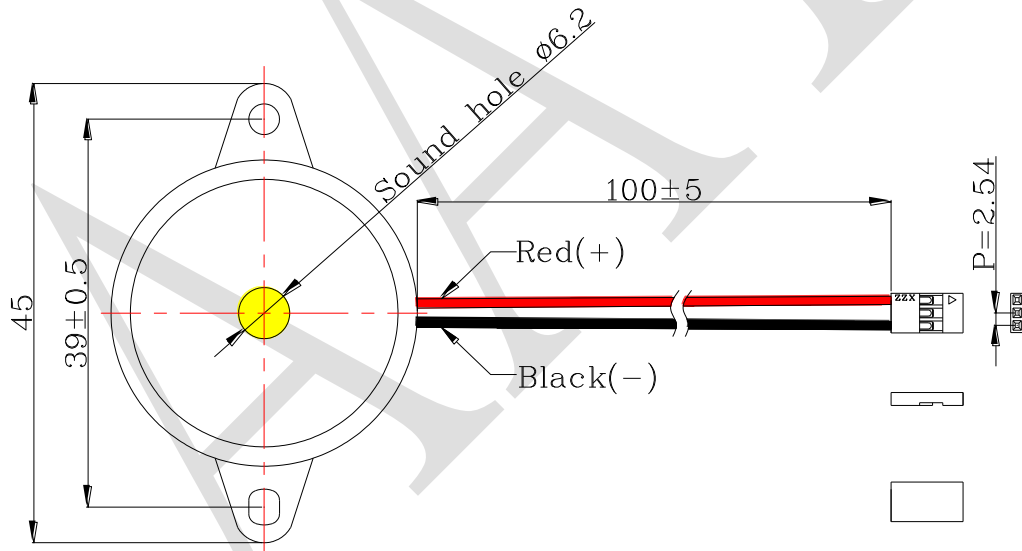
AZ-3035S-3C

ITEM		UNITS	SPECIFICATIONS	CONDITIONS
01	Rated Voltage	V	12	VDC
02	Operating Voltage	V	5~ 15	
03	Rated Current	mA(Max)	20	Rated Voltage
04	Sound pressure level (Distance at 10cm)	dBA(Min)	95	Rated Voltage Rated Frequency
05	Rated Frequency	Hz	3500	Rated Voltage
06	Resonant Frequency	Hz	3500± 500	

REV NO.	REVISION NOTE	APPROVAL	DATE
---------	---------------	----------	------



Wire: UL 1007. AWG28#
 Connector: Equivalent to 杜邦2.54mm 3P



RoHS

TITLE:	PIEZO BUZZER	DRAWN:	Zack	2017/07/19	SCALE: 2:1	SHEET: 1 of 1
PART NO.	AZ-3035S-3C	DESIGNED:	R & D OF AAT		UNITS:	mm
DWG NO.	BPC3095WC100-1235(023-309522-01)	CHECKED:			TOLERANCE	± 0.5
		APPROVAL:			UNLESS OTHERWISE SPECIFIED:	ONE PLACE DECIMAL ± ***
		MATERIAL:	PPO		TWO PLACE DECIMAL ± ***	THREE PLACE DECIMAL ± ***



ADVANCED ACOUSTIC TECHNOLOGY CORPORATION

For more information, please contact AATC.

AATC

X-ON Electronics

Largest Supplier of Electrical and Electronic Components

Click to view similar products for [Piezo Buzzers & Audio Indicators](#) category:

Click to view products by [AATC](#) manufacturer:

Other Similar products are found below :

[6-4](#) [ESZ-26B](#) [FDG111PLF](#) [F/DGX12P WITH LABEL LF](#) [F/EM12PLF](#) [F/NRMB 24 BLACK LF](#) [PF-35N29WQ](#) [PFD-21A29W](#) [PFD-27A35PQ](#) [PL-21N30WQ](#) [PLD-21N30W](#) [PLD-21N30WQ](#) [PT-3534FP](#) [B822B](#) [S6109](#) [SBM616PR](#) [SC110E](#) [SC2036ACP](#) [SC616N-2](#) [SC628FW](#) [SC628MPG](#) [SC648D](#) [SCS045MD9DT3S](#) [ESZ-25B-5-250B](#) [ESZ-25S](#) [FCM12PLF](#) [F/EB20P-DR LF](#) [AI-4228-TF-LW305-R](#) [FSMD8585JSLF](#) [F/TCW 05 WITH LABEL LF](#) [F/TCW 12 WITH LABEL LF](#) [F/UCW 03 WITH LABEL LF](#) [PFD-27N36W](#) [PKM35-4A0](#) [PL-35N29WQ](#) [PLD-27A35PQ](#) [KBS-20DA-7AS](#) [KBS-27DA-5C-105](#) [LSC628ANR](#) [RTO-1R07-001](#) [SC110FK](#) [SC628AF](#) [SC628FJ](#) [SC628HP](#) [PL-21N31PQ](#) [F-B-P1405ISB LF](#) [F/DGX 05P WITH LABEL LF](#) [MSR516NP](#) [STA22702W](#) [STA20502](#)