

# 1. SPECIFICATION

SD-150

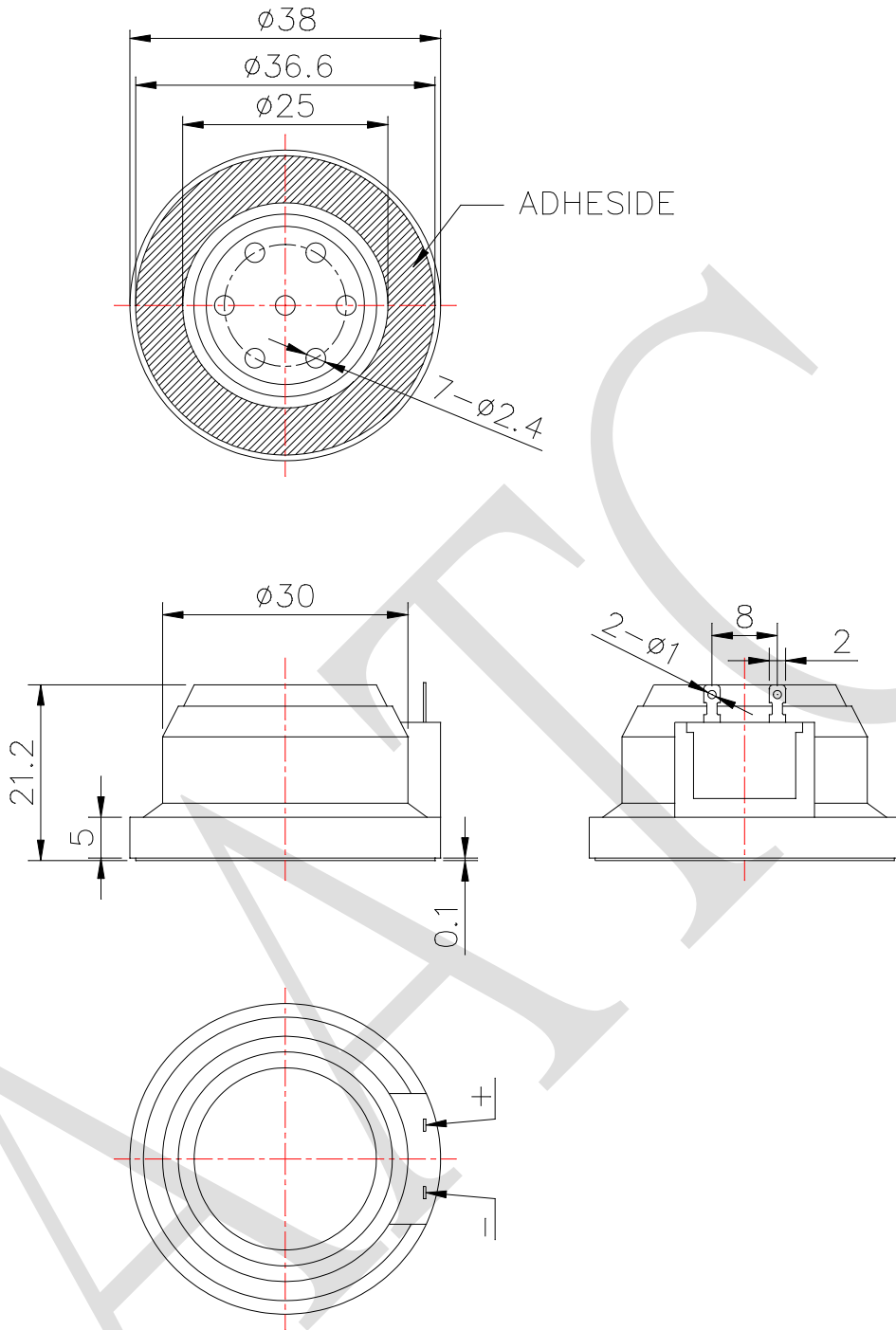
|    | ITEM                                      | UNIT | SPECIFICATIONS | CONDITION  |
|----|---|------|----------------|--|
| 01 | Dimension<br>尺寸                           | mm   | Φ 38 X 21.2    | Refer to attached drawing in details.                      |
| 02 | Input power<br>輸入功率                       | mW   | 10             | White noise is applied for 96 hours.                       |
| 03 | Max. Input power<br>額定輸入最大功率              | mW   | Max.20         | at room temperature for 60s on and 120s off for 10 cycles. |
| 04 | Impedance<br>交流阻抗                         | Ω    | 150 ±20%       | at 1KHz /1V.   |
| 05 | S.P.L 音壓位準<br>Sound pressure level        | dB   | 96 ±3          | at 1KHz 60mV with IEC318 coupler.                          |
| 06 | Frequency range<br>有效頻寬                   | Hz   | 300~3400       |  |
| 07 | T.H.D 總諧波失真<br>Total Harmonics Distortion | %    | Max. 10        | at 1KHz 10mW   |

REV NO.

REVISION NOTE

APPROVAL

DATE



RoHS

TITLE: DYNAMIC SPEAKER

DRAWN: Sunny 2017-12-11

SCALE: 2:1

SHEET: 1:1

PART NO. SD-150

DESIGNED: R&D OF AAT

UNITS: mm

CHECKED:

TOLERANCE  $\pm 0.5$

APPROVAL:

UNLESS OTHERWISE SPECIFIED:

ONE PLACE DECIMAL  $\pm$  \*\*\*

TWO PLACE DECIMAL  $\pm$  \*\*\*

THREE PLACE DECIMAL  $\pm$  \*\*\*

DWG NO. CA-R17121101

1

REV

MATERIAL: ABS



ADVANCED ACOUSTIC TECHNOLOGY CORPORATION

For more information, please contact AATC.

AATC

## X-ON Electronics

Largest Supplier of Electrical and Electronic Components

*Click to view similar products for [Piezo Buzzers & Audio Indicators](#) category:*

*Click to view products by [AATC](#) manufacturer:*

Other Similar products are found below :

[6-4](#) [ESZ-26B](#) [FDG111PLF](#) [F/DGX12P WITH LABEL LF](#) [F/EM12PLF](#) [F/NRMB 24 BLACK LF](#) [PF-35N29WQ](#) [PFD-21A29W](#) [PFD-27A35PQ](#) [PL-21N30WQ](#) [PLD-21N30W](#) [PLD-21N30WQ](#) [PT-3534FP](#) [B822B](#) [S6109](#) [SBM616PR](#) [SC110E](#) [SC2036ACP](#) [SC616N-2](#) [SC628FW](#) [SC628MPG](#) [SC648D](#) [SCS045MD9DT3S](#) [ESZ-25B-5-250B](#) [ESZ-25S](#) [FCM12PLF](#) [F/EB20P-DR LF](#) [AI-4228-TF-LW305-R](#) [FSMD8585JSLF](#) [F/TCW 05 WITH LABEL LF](#) [F/TCW 12 WITH LABEL LF](#) [F/UCW 03 WITH LABEL LF](#) [PFD-27N36W](#) [PKM35-4A0](#) [PL-35N29WQ](#) [PLD-27A35PQ](#) [KBS-20DA-7AS](#) [KBS-27DA-5C-105](#) [LSC628ANR](#) [RTO-1R07-001](#) [SC110FK](#) [SC628AF](#) [SC628FJ](#) [SC628HP](#) [PL-21N31PQ](#) [F-B-P1405ISB LF](#) [F/DGX 05P WITH LABEL LF](#) [MSR516NP](#) [STA22702W](#) [STA20502](#)