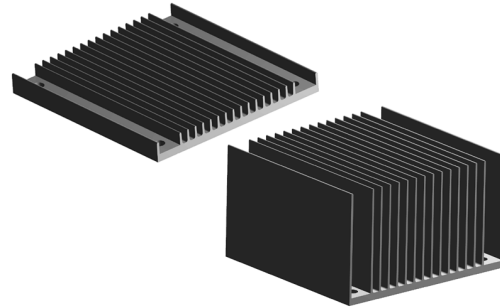




STANDARD THERMAL SOLUTIONS FOR HALF BRICK CONVERTERS

Aavid Thermalloy heat sinks are designed for engineers seeking a complete off-the-shelf cooling solution for industry standard half brick converters. Unlike other converter heat sinks, Aavid designs feature thin fin geometry which increases thermal performance and reduces pressure drop. In addition, all heat sinks are ready for mounting with interface material pre-applied which streamlines procurement and assembly.



APPLICATION NEED:

- *Maximum Performance*
- *Low Pressure Drop*
- *Fits industry standard Half Brick modules*
- *Optimal configuration*
- *Simple assembly*

FEATURES AND BENEFITS:

- *High fin density has more surface area for better heat transfer in less space*
- *Thin fin geometry improves system airflow and reduces fan costs.*
- *Hole pattern fits 1/2 brick DC/DC Converters from top manufacturers like Delta, Emerson and Tyco*
- *Lengthwise and crosswise fin orientations in three fin heights to allow a precise match to the application*
- *High performance QPad3™ interface pad saves time and optional hardware kit provides the complete solution under a single part number*

ORDERING INFORMATION:

Part Number	Fin Configuration	"H" height	Figure
241202B91200G	Lengthwise	6.1 (0.24)	A
241204B91200G	Lengthwise	11.4 (0.45)	A
241214B91200G	Lengthwise	35.6 (1.40)	A
241202B92200G	Crosswise	6.1 (0.24)	B
241204B92200G	Crosswise	11.4 (0.45)	B
241214B92200G	Crosswise	35.6 (1.40)	B

Optional Hardware Kit:

Four M3 x 0.5 x 8 screws with captive lock washer individually bagged

Use code 03 in the 11th & 12th digit

Example: 241202B92203G

Hardware Kit included

Q-pad is a registered trademark of the Bergquist Company



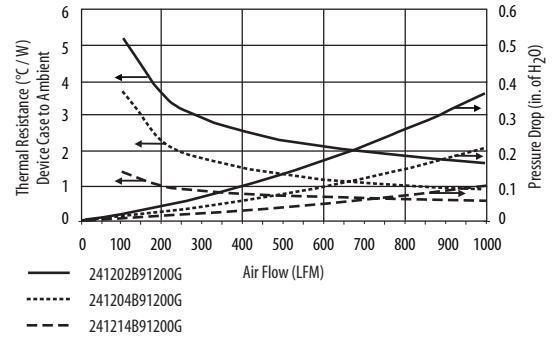
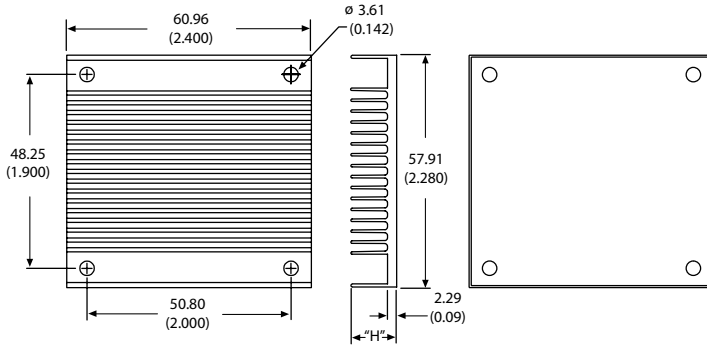
**AAVID
THERMALLOY**

**Heat Sinks for Half Brick
DC/DC Converters**

**RoHS
Compliant**

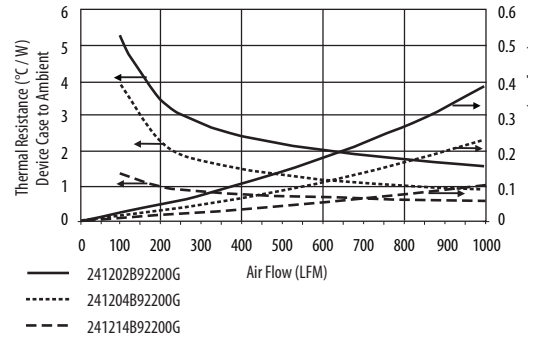
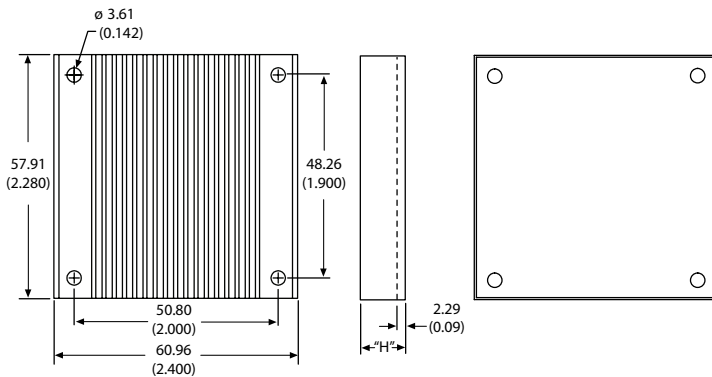
Lengthwise AirFlow

Figure A



Crosswise AirFlow

Figure B



North America

70 Commercial Street
Concord, NH 03301
TEL: (603) 224-9988
FAX: (603) 223-1790
EMAIL: info@aavid.com

Europe - Italy

Via Aprile,32
40057 Cadriano (BO), Italy
TEL: (39) 051 764011
FAX: (39) 051 764092
EMAIL: sales.it@aavid.com

Asia - Taiwan

14F-4, NO. 79, Hsin Tai Wu RD.
SEC. 1, Hsi Chih
Taipei Hsien, Taiwan
TEL: 011(886) 2-2698-9888
FAX: 011(886) 2-2698-9808

Asia - Singapore

31 Admiralty Road, #06-01
Singapore 739984
TEL: 65-6362-8388
FAX: 65-6362-8588

PLEASE NOTE: Any information furnished by Aavid Thermalloy is believed to be accurate and reliable, but our customers bear all responsibility for use and applications of Aavid Thermalloy products. AAVID THERMALLOY MAKES NO WARRANTIES EXPRESSED OR IMPLIED, AS TO THE FITNESS, MERCHANTABILITY, OR SUITABILITY OF ANY AAVID THERMALLOY PRODUCTS FOR ANY SPECIFIC OR GENERAL USES. AAVID THERMALLOY SHALL NOT BE LIABLE FOR INCIDENTAL OR CONSEQUENTIAL DAMAGES OF ANY KIND. All Aavid Thermalloy products are sold pursuant to the Aavid Thermalloy Domestic Terms and Conditions of Sale in effect from time to time, a copy of which shall be furnished upon request (8911A). Copyright © Aavid Thermalloy, LLC. October, 2008. All icons, drawings, illustrations, and trademarks are the property of Aavid Thermalloy, LLC. and may not be reproduced without express written permission. (10/2008)

**FOR MORE INFORMATION, VISIT OUR WEB SITE: WWW.AAVIDTHERMALLOY.COM
TEL: (603) 224-9988**

X-ON Electronics

Largest Supplier of Electrical and Electronic Components

Click to view similar products for [Heat Sinks](#) category:

Click to view products by [Aavid](#) manufacturer:

Other Similar products are found below :

[581102B00000G](#) [656-15ABPE](#) [657-20ABPNE](#) [7020B-TC12-MTG](#) [73452PPBA](#) [7G0011A](#) [PF720G](#) [A22-4026](#) [HAH10L](#) [1542616-1](#) [HS-2506-F1](#) [HS-87M0-F2](#) [218-40CTE3](#) [231-69PAB-15V](#) [25-7520](#) [SW50-4G](#) [231-75PAB-13V](#) [231-75PAB-15V](#) [253-122ABE-22](#) [PSC22CB](#) [CLP212SG](#) [CLP-7701G](#) [HAA083](#) [HAF10L](#) [HAQ10T](#) [D10100-28](#) [TO5-002D](#) [BDN183CBA01](#) [3-21053-4](#) [32438](#) [TX0506-1B](#) [TX1806B](#) [LAE66A3CB](#) [WA-DT2-101E](#) [511-3U](#) [73381PPBA](#) [73403PPBA](#) [7G0047C](#) [COMX-440-HSP](#) [510-12M](#) [D10650-40T5](#) [V8511 Y](#) [APF40-40-13CB/A01](#) [780653U04500G](#) [ATS-54310K-C2-R0](#) [FK 216 CB SA](#) [FK 231 SA 220](#) [648-51AB](#) [657-20ABPESC](#) [2341BG](#)