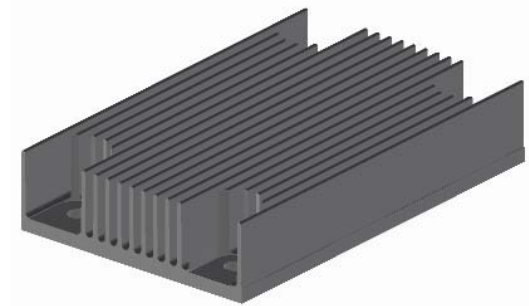




### STANDARD THERMAL SOLUTIONS FOR QUARTER BRICK CONVERTERS

Aavid Thermalloy heat sinks are designed for engineers seeking a complete off-the-shelf cooling solution for industry standard quarter brick converters. Unlike other converter heat sinks, Aavid designs feature thin fin geometry which increases thermal performance and reduces pressure drop. In addition, all heat sinks are ready for mounting with interface material pre-applied which streamlines procurement and assembly.



#### APPLICATION NEED:

- *Maximum Performance*
- *Low Pressure Drop*
- *Fits industry standard Quarter Brick modules*
- *Optimal configuration*
- *Simple assembly*

#### FEATURES AND BENEFITS:

- *High fin density has more surface area for heat transfer, despite small foot print.*
- *Thin fin geometry improves system airflow and reduces fan costs.*
- *Hole pattern fits 1/4 brick DC/DC Converters from top manufacturers like Delta, Emerson and Tyco*
- *Lengthwise and crosswise fin orientations in three fin heights to allow a precise match to the application*
- *High performance QPad3™ interface pad saves time and optional hardware kit provides the complete solution under a single part number*

#### ORDERING INFORMATION:

Part Number	Fin Configuration	"H" height	Figure
241402B91200G	Lengthwise	6.0 (0.24)	A
241404B91200G	Lengthwise	11.4 (0.45)	A
241409B91200G	Lengthwise	22.9 (0.90)	A
241402B92200G	Crosswise	6.0 (0.24)	B
241404B92200G	Crosswise	11.4 (0.45)	B
241409B92200G	Crosswise	22.9 (0.90)	B

#### Optional Hardware Kit:

Four M3 x 0.5 x 4.5 screws with captive lock washer individually bagged

Use code 03 in the 11th & 12th digit

Example: 241409B92203G

Hardware Kit included

Q-pad is a registered trademark of the Bergquist Company



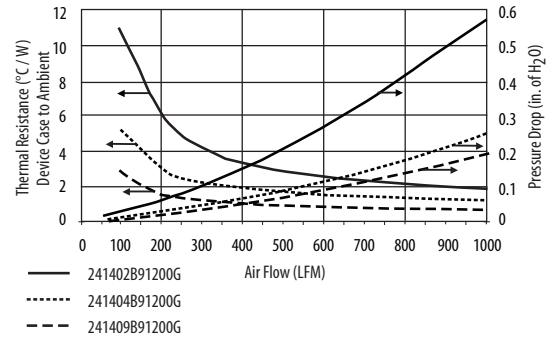
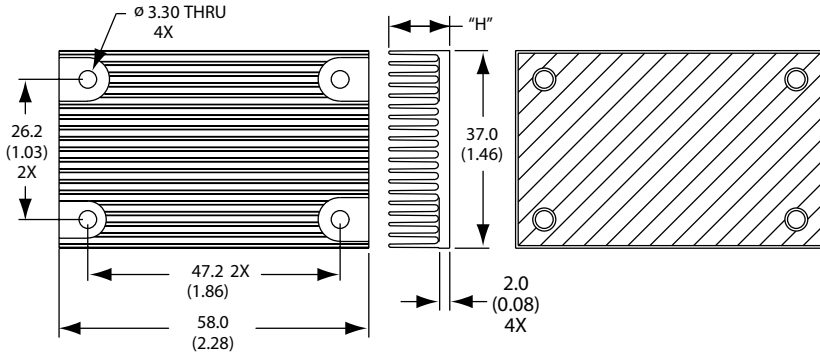
**AAVID  
THERMALLOY**

**Heat Sinks for Quarter Brick  
DC/DC Converters**

**RoHS   
Compliant**

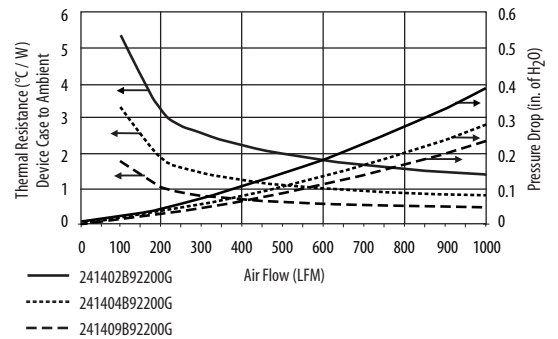
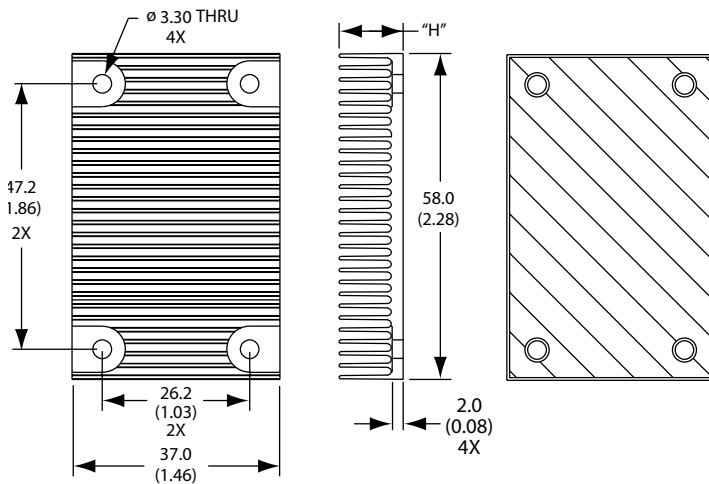
**Lengthwise AirFlow**

Figure A



**Crosswise AirFlow**

Figure B



**North America**

70 Commercial Street  
Concord, NH 03301  
TEL: (603) 224-9988  
FAX: (603) 223-1790  
EMAIL: info@aavid.com

**Europe - Italy**

Via Aprile,32  
40057 Cadriano (BO), Italy  
TEL: (39) 051 764011  
FAX: (39) 051 764090  
EMAIL: sales.it@aavid.com

**Asia - Taiwan**

14F-4, NO. 79, Hsin Tai Wu RD.  
SEC. 1, Hsi Chih  
Taipei Hsien  
Taiwan  
TEL: 011(886) 2-2698-9888  
FAX: 011(886) 2-2698-9808

**Asia - Singapore**

31 Admiralty Road, #06-01  
Singapore 739984  
TEL: 65-6362-8388  
FAX: 65-6362-8588

PLEASE NOTE: Any information furnished by Aavid Thermalloy is believed to be accurate and reliable, but our customers bear all responsibility for use and applications of Aavid Thermalloy products. AAVID THERMALLOY MAKES NO WARRANTIES EXPRESSED OR IMPLIED, AS TO THE FITNESS, MERCHANTABILITY, OR SUITABILITY OF ANY AAVID THERMALLOY PRODUCTS FOR ANY SPECIFIC OR GENERAL USES. AAVID THERMALLOY SHALL NOT BE LIABLE FOR INCIDENTAL OR CONSEQUENTIAL DAMAGES OF ANY KIND. All Aavid Thermalloy products are sold pursuant to the Aavid Thermalloy Domestic Terms and Conditions of Sale in effect from time to time, a copy of which shall be furnished upon request (8911A). Copyright © Aavid Thermalloy, LLC. July, 2007. All icons, drawings, illustrations, and trademarks are the property of Aavid Thermalloy, LLC. and may not be reproduced without express written permission. (7/2007)

**FOR MORE INFORMATION, VISIT OUR WEB SITE: [WWW.AAVIDTHERMALLOY.COM](http://WWW.AAVIDTHERMALLOY.COM)  
TEL: (603) 224-9988**

## X-ON Electronics

Largest Supplier of Electrical and Electronic Components

*Click to view similar products for [Heat Sinks](#) category:*

*Click to view products by [Aavid](#) manufacturer:*

Other Similar products are found below :

[657-20ABPNE](#) [73452PPBA](#) [A22-4026](#) [120-1873-007](#) [218-40CTE3](#) [231-69PAB-15V](#) [231-75PAB-13V](#) [231-75PAB-15V](#) [253-122ABE-22](#)  
[PSC22CB](#) [295-2](#) [CLP212SG](#) [D10100-28](#) [BDN183CBA01](#) [3-21053-4](#) [TX0506-1B](#) [LAE66A3CB](#) [511-3U](#) [73381PPBA](#) [73403PPBA](#) [8191-](#)  
[E40](#) [510-12M](#) [529802B00000](#) [D10650-40T5](#) [6225B-MT6G](#) [ATS-54310K-C2-R0](#) [648-51AB](#) [657-20ABPESC](#) [679-25AG](#) [FK 212 CB SA](#)  
[FK225 SA L1](#) [241404B91203G](#) [6801G](#) [680-5K](#) [7106DG/TR](#) [SK145 37 5STSTO220](#) [7109DG/TR](#) [TS-11042-CY](#) [S14K35G3S5](#) [8924G](#)  
[7717-133DAP](#) [7717-26DAP](#) [4509](#) [SW25-4G](#) [CLP-215](#) [CLP-207](#) [D20850-40-T2](#) [APF30-30-10CB/A01](#) [V8508E](#) [268-85CTE](#)