

**AAVFIN LIQUID COLD PLATE**

AavFin Liquid Cold Plates extend the surface area by using unique fin structures within the flow path and thereby enhancing heat transfer and thermal performance. AavFin is a cost effective, highly customizable technology that can be configured to engineers' thermal dissipation requirements.

**PART NUMBER**

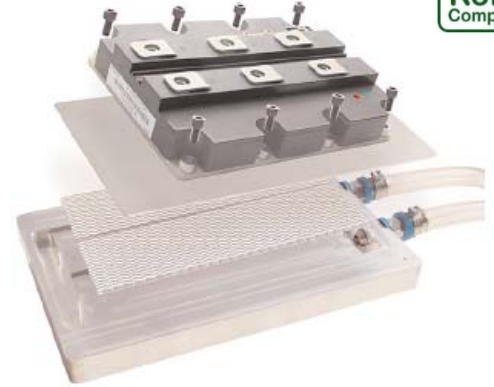
413100U20609G - Unfinished

**AVAILABLE OPTIONS**

- *Finishes:* AavShield, AavShield<sup>3</sup>, Tin Plate, Electroless Nickel
- *For Custom Sizing and Design Guidelines please see below – Figure 2.*

**AAVFIN PRODUCT SPECIFICATIONS - STANDARD**

<i>Property</i>	<i>Details</i>
<i>Plate Details</i>	Aluminum
<i>Cover Plate</i>	Aluminum
<i>Joints</i>	Vacuum Brazed
<i>Standard Finish</i>	Aavid "Wash" Standard



**FEATURES & BENEFITS:**

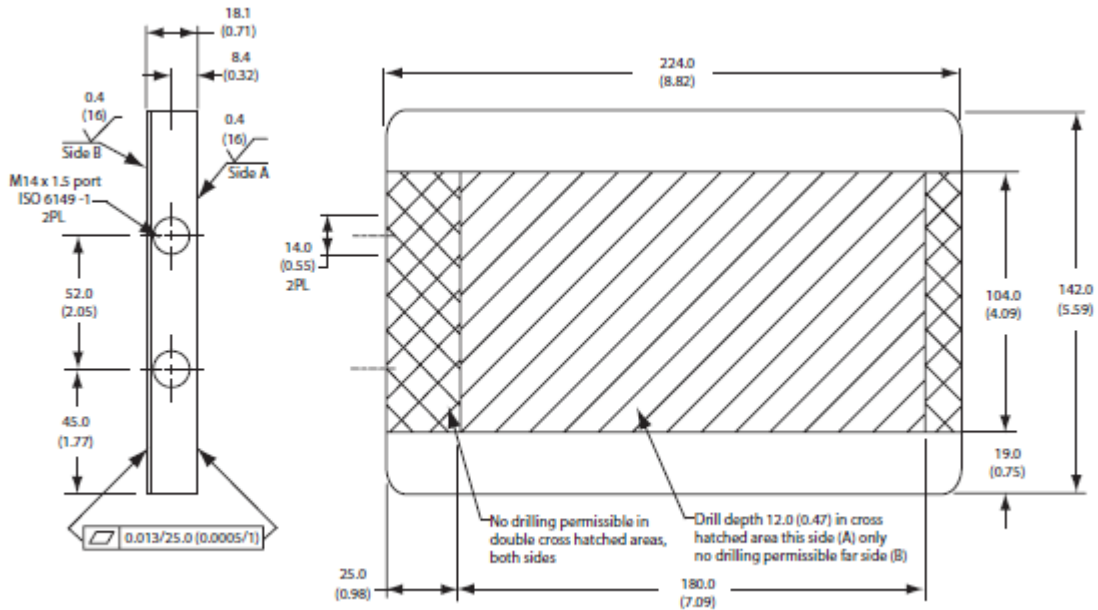
- Ideal for High Volume, Cost Sensitive Applications
- Leak Free Vacuum Brazed Joints
- Large Liquid Contact Surface Area
- Uniform Heat Transfer

<i>Measurement</i>	<i>in</i>	<i>mm</i>
<i>Plate Width</i>	5.59	142
<i>Plate Length</i>	8.82	224
<i>Plate Thickness</i>	0.71	18.1

**MECHANICAL**

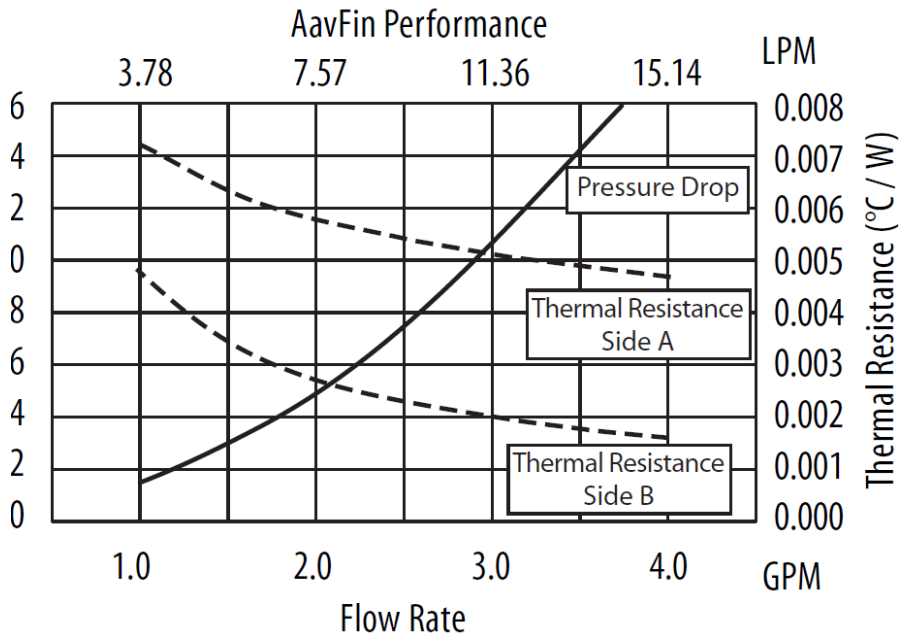
Dimensions are shown in mm

Figure 1



**PERFORMANCE**

Testing was performed using 100% Pure Water



**CUSTOM DESIGN GUIDELINES**

Dimensions are shown in mm

Figure 2

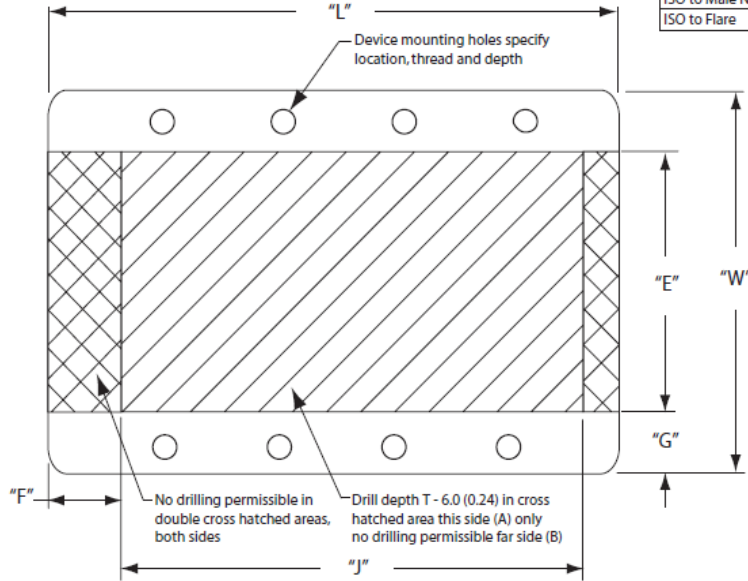
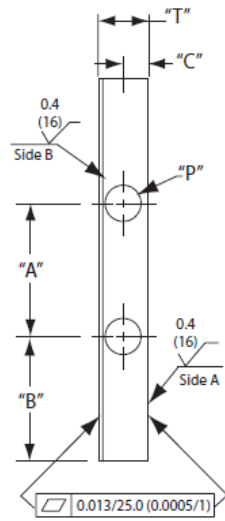


Table 1:  
Available Adapters

ISO to Barb
ISO to Male NPT
ISO to Flare

**Standard Tolerances**

Lead-in Dimensions	± 0.25 (0.01)
Overall Dimensions	± 0.50 (0.02)
Feature to Feature	± 0.13 (0.005)

Dimension	Details	Min	Max
A	Center line, port to port	25 (0.98)	W-P+2.0 (0.08)
B	Edge to port	1/2P+5.0 (0.2)	(W-A)/2
C	Mounting surface to side "A" centerline of port	1/2P+1.0 (0.04)	T-(1/2P+5.0 (0.2))
E	Controlled drill zone width	W-G	W-G
G	Edge to controlled drill zone	6.0 (0.24)	150 (5.91)
T	Plate thickness	12 (0.47)	50 (1.97)
F	No drill zone width	15 (0.59)	30 (1.18)
J	Controlled drill zone length	L-(F+20 (0.8))	L-(F+10 (0.4))
L	Plate length	150 (5.91)	700 (27.56)
P	Port size and thread (metric, pipe, oring)	M8 (1/8 NPT)	T - 5.0 (2.0)
W	Plate width	75 (2.95)	400 (15.75)

Aavid reserves the right to make changes to the products or information contained herein without notice. No liability is assumed as a result of their use or applications. For additional information, please contact Aavid directly.

## X-ON Electronics

Largest Supplier of Electrical and Electronic Components

*Click to view similar products for [Heat Sinks](#) category:*

*Click to view products by [Aavid](#) manufacturer:*

Other Similar products are found below :

[581102B00000G](#) [656-15ABPE](#) [657-20ABPNE](#) [7020B-TC12-MTG](#) [73452PPBA](#) [7G0011A](#) [PF720G](#) [A22-4026](#) [HAH10L](#) [1542616-1](#) [HS-2506-F1](#) [HS-87M0-F2](#) [218-40CTE3](#) [231-69PAB-15V](#) [25-7520](#) [SW50-4G](#) [231-75PAB-13V](#) [231-75PAB-15V](#) [253-122ABE-22](#) [PSC22CB](#) [CLP212SG](#) [CLP-7701G](#) [HAA083](#) [HAF10L](#) [HAQ10T](#) [D10100-28](#) [TO5-002D](#) [BDN183CBA01](#) [3-21053-4](#) [32438](#) [TX0506-1B](#) [TX1806B](#) [LAE66A3CB](#) [WA-DT2-101E](#) [511-3U](#) [73381PPBA](#) [73403PPBA](#) [7G0047C](#) [COMX-440-HSP](#) [510-12M](#) [D10650-40T5](#) [V8511 Y](#) [APF40-40-13CB/A01](#) [780653U04500G](#) [ATS-54310K-C2-R0](#) [FK 216 CB SA](#) [FK 231 SA 220](#) [648-51AB](#) [657-20ABPESC](#) [2341BG](#)