

# Board Level Cooling – Square Basket 5040



## BOARD LEVEL COOLING - Square Basket 5040

Square Basket 5040 is a series of square basket board level heat sinks designed to cool TO-3 devices. Representative image only.



## ORDERING INFORMATION

Part Number	Device Type
505403B00000G	TO-3
505403B00100G	TO-3

## HEAT SINK DETAILS

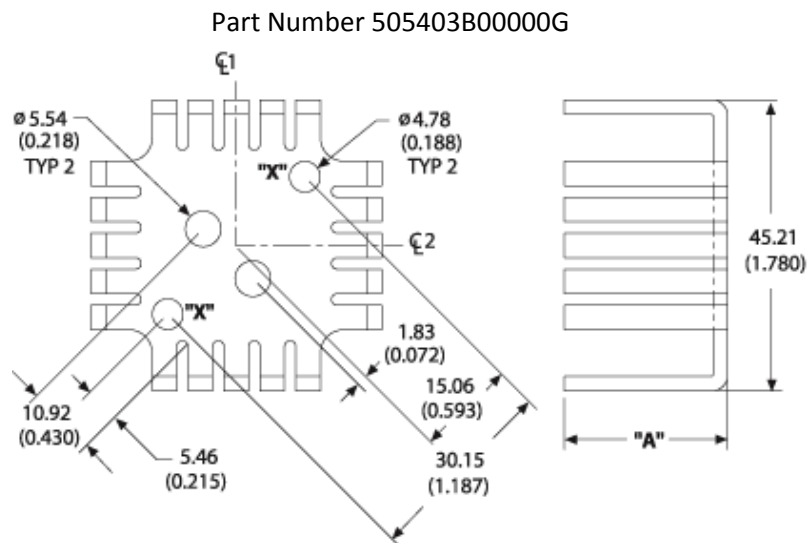
Property	Details
Material	Aluminum
Finish	Black Anodize
Device Attachment Options	Requires Mounting Kit
Thermal Interface Material	-

Property	Details
Heat Sink Width (mm)	45.21
Heat Sink Length (mm)	45.21
Heat Sink Height (mm)	31.75
Heat Sink Mounting Direction	Horizontal

## MECHANICAL & PERFORMANCE

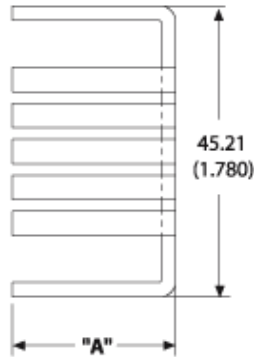
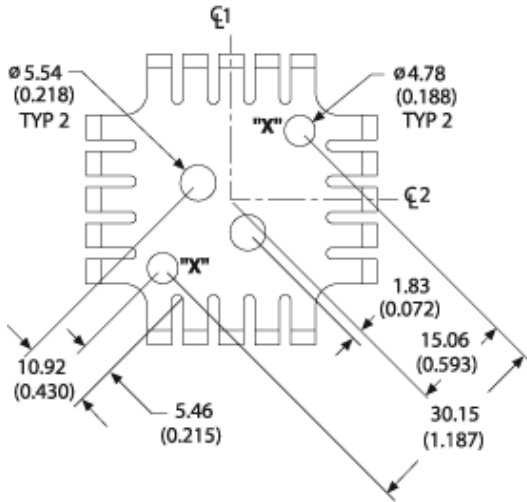
Drawing dimensions are shown in mm, (in)

Part Number	"A" Dim	"Z" Dim
505403B00000G	31.75	-
505403B00100G	31.75	4.75 (0.187)

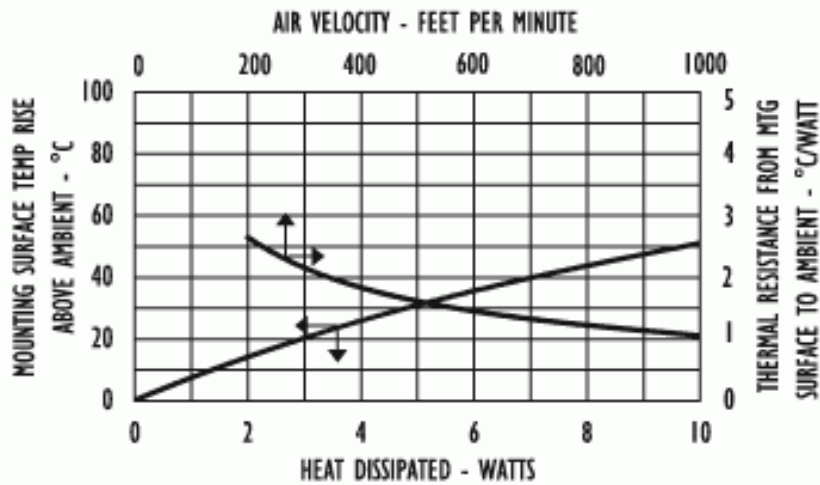
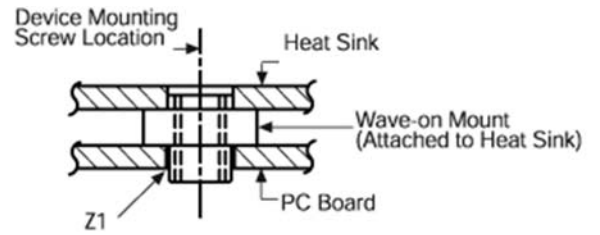


# Board Level Cooling – Square Basket 5040

Part Number: 505403B00100G



Mounting Details:



## X-ON Electronics

Largest Supplier of Electrical and Electronic Components

*Click to view similar products for [Heat Sinks](#) category:*

*Click to view products by [Aavid](#) manufacturer:*

Other Similar products are found below :

[581102B00000G](#) [656-15ABPE](#) [657-20ABPNE](#) [7020B-TC12-MTG](#) [73452PPBA](#) [7G0011A](#) [PF720G](#) [A22-4026](#) [HAH10L](#) [1542616-1](#) [HS-2506-F1](#) [HS-87M0-F2](#) [218-40CTE3](#) [231-69PAB-15V](#) [25-7520](#) [SW50-4G](#) [231-75PAB-13V](#) [231-75PAB-15V](#) [253-122ABE-22](#) [PSC22CB](#) [CLP212SG](#) [CLP-7701G](#) [HAA083](#) [HAF10L](#) [HAQ10T](#) [D10100-28](#) [TO5-002D](#) [BDN183CBA01](#) [3-21053-4](#) [32438](#) [TX0506-1B](#) [TX1806B](#) [LAE66A3CB](#) [WA-DT2-101E](#) [511-3U](#) [73381PPBA](#) [73403PPBA](#) [7G0047C](#) [COMX-440-HSP](#) [510-12M](#) [D10650-40T5](#) [V8511 Y](#) [APF40-40-13CB/A01](#) [780653U04500G](#) [ATS-54310K-C2-R0](#) [FK 216 CB SA](#) [FK 231 SA 220](#) [648-51AB](#) [657-20ABPESC](#) [2341BG](#)