



BOARD LEVEL COOLING – Extruded 5000

Extruded 5000 is a series of dual radial board level heat sinks designed to cool TO-218, TO-220, and TO-247 devices. Representative image only.

ORDERING INFORMATION

Part Number	Device Type
513001B02500G	TO-218, TO-247
513002B02500G	TO-220
513002B32500G	TO-220
513102B02500G	TO-220
513201B02500G	TO-218
513202B02500G	TO-220
513301B02500G	TO-218, TO-247



HEAT SINK DETAILS

Property	Details
Material	Aluminum
Finish	Black Anodize
Device Attachment Options	Screw & Nut, Mounting Kit
Board Attachment Options	Solderable Pins
Thermal Interface Material	-
Heat Sink Mounting Direction	Horizontal, Vertical

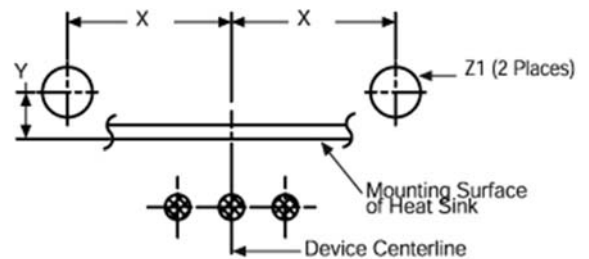
Property	Details
Heat Sink Length (mm)	12.70
Heat Sink Width (mm)	34.92
Heat Sink Height (mm)	See Dim "A" Below
X Dimension (mm)	12.70
Y Dimension (mm)	0.79
Z Dimension (mm)	2.67

MECHANICAL & PERFORMANCE

Drawing dimensions are shown in mm, (in)

Part Number	"A" Dim	"B" Dim	"C" Dim
513001B02500G	25.40	21.59	3.66
513002B02500G	25.40	18.29	3.18
513002B32500G	25.40	-	-
513102B02500G	38.10	18.29	3.18
513201B02500G	12.70	-	-
513202B02500G	50.80	18.29	3.18
513301B02500G	63.50	21.59	3.66

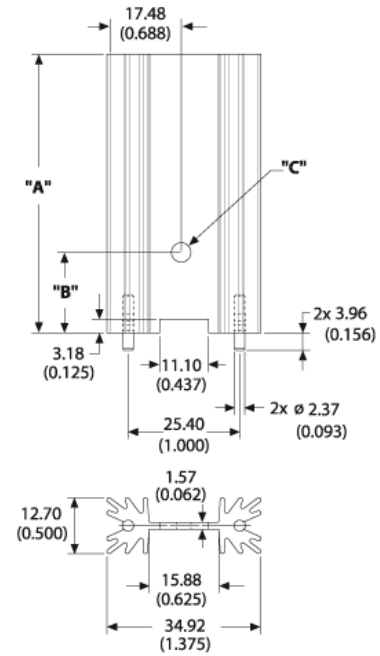
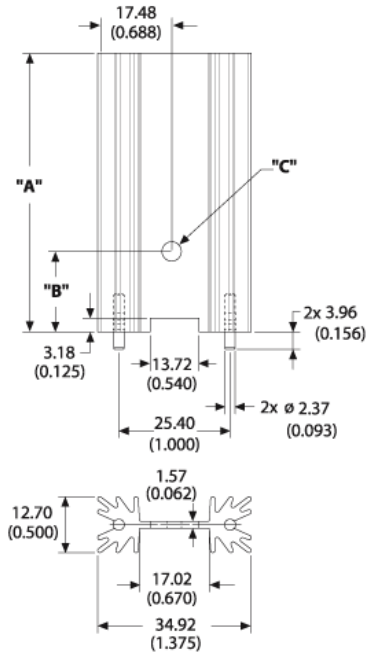
Mounting Details:



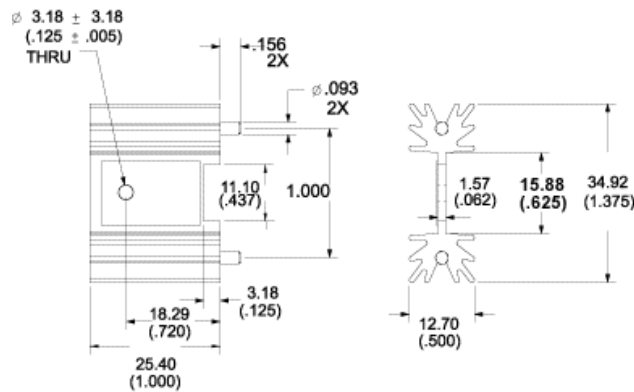
Board Level Cooling – Extruded 5000

Part Numbers: 513001B02500G,
513201B02500G, 513301B02500G

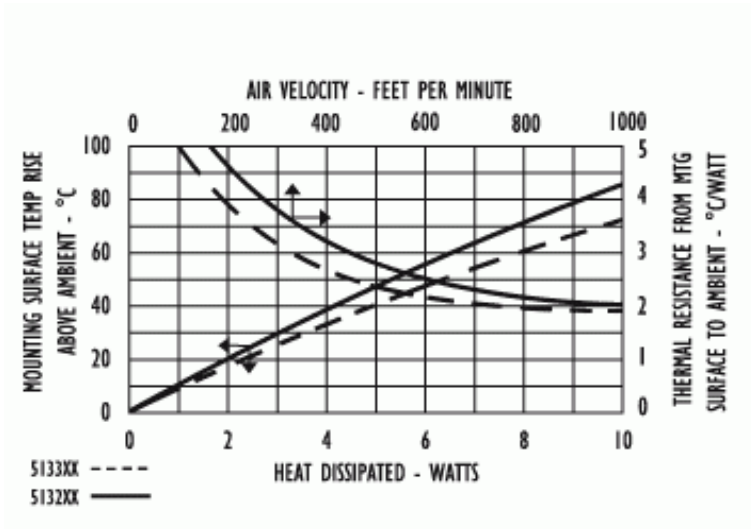
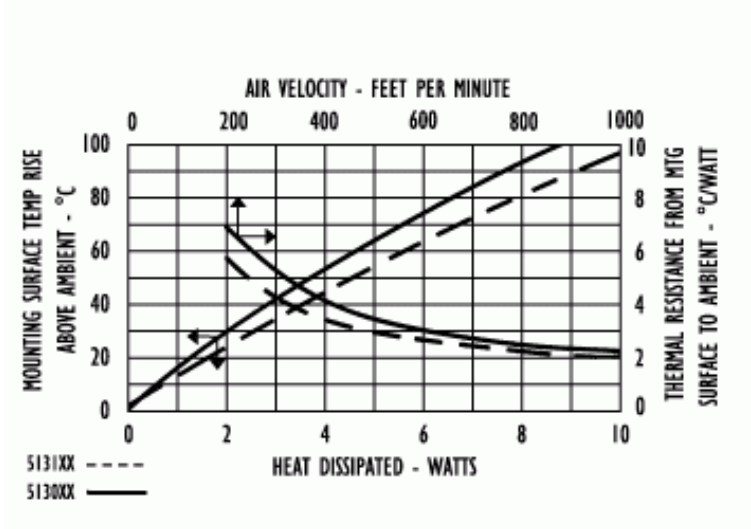
Part Numbers: 513002B02500G,
513102B02500G, 513202B02500G



Part Number: 513002B32500G



Board Level Cooling – Extruded 5000



X-ON Electronics

Largest Supplier of Electrical and Electronic Components

Click to view similar products for [Heat Sinks](#) category:

Click to view products by [Aavid](#) manufacturer:

Other Similar products are found below :

[581102B00000G](#) [656-15ABPE](#) [657-20ABPNE](#) [7020B-TC12-MTG](#) [73452PPBA](#) [7G0011A](#) [PF720G](#) [A22-4026](#) [HAH10L](#) [1542616-1](#) [HS-2506-F1](#) [HS-87M0-F2](#) [218-40CTE3](#) [231-69PAB-15V](#) [25-7520](#) [SW50-4G](#) [231-75PAB-13V](#) [231-75PAB-15V](#) [253-122ABE-22](#) [PSC22CB](#) [CLP212SG](#) [CLP-7701G](#) [HAA083](#) [HAF10L](#) [HAQ10T](#) [D10100-28](#) [TO5-002D](#) [BDN183CBA01](#) [3-21053-4](#) [32438](#) [TX0506-1B](#) [TX1806B](#) [LAE66A3CB](#) [WA-DT2-101E](#) [511-3U](#) [73381PPBA](#) [73403PPBA](#) [7G0047C](#) [COMX-440-HSP](#) [510-12M](#) [D10650-40T5](#) [V8511](#) [Y](#) [APF40-40-13CB/A01](#) [780653U04500G](#) [ATS-54310K-C2-R0](#) [FK 216 CB SA](#) [FK 231 SA 220](#) [648-51AB](#) [657-20ABPESC](#) [2341BG](#)