



BOARD LEVEL COOLING – High Rise 5304

High Rise 5304 is a series of narrow high rise channel board level heat sinks designed to cool TO-218 and TO-220 devices. Representative image only.

ORDERING INFORMATION

Part Number	Device Type
530400B00100G	TO-218, TO-220
530402B00100G	TO-220
530402B00150G	TO-220



HEAT SINK DETAILS

Property	Details
Material	Aluminum
Finishing	Black Anodize
Device Attachment Options	Kool Clip (Included)
Thermal Interface Material	-
Heat Sink Mounting Direction	Vertical

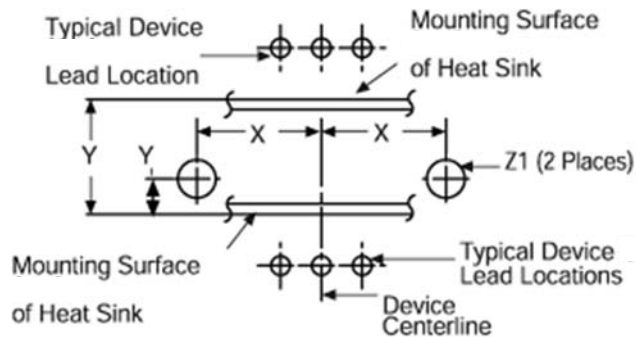
Property	Details
Heat Sink Width (mm)	44.45
Heat Sink Length (mm)	12.45
Heat Sink Height (mm)	44.45
"X" Dim (mm, (in))	12.70 (0.475)
"Y" Dim (mm, (in))	6.35 (0.250)
"YT" Dim (mm, (in))	12.70 (0.500)
"Z" Dim (mm, (in))	4.75 (0.187)

MECHANICAL & PERFORMANCE

Drawing dimensions are shown in mm, (in)

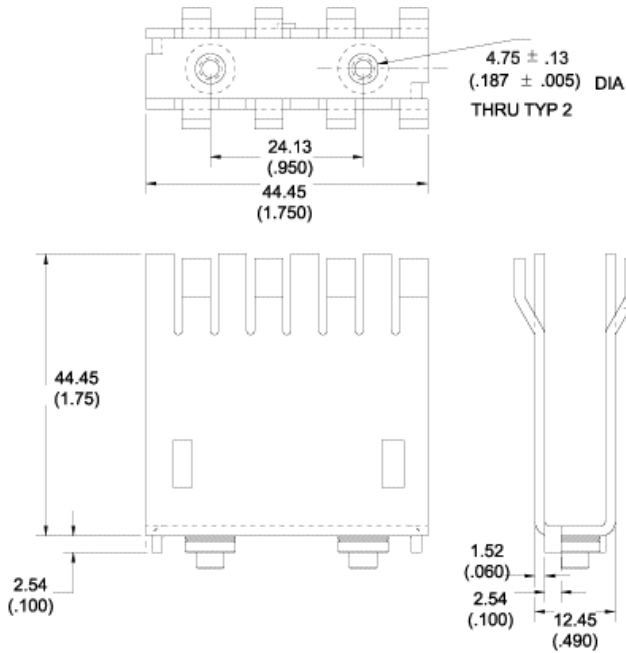
Part Number	"A" Dim
530400B00100G	-
530402B00100G	18.29
530402B00150G	18.29

Mounting Details:

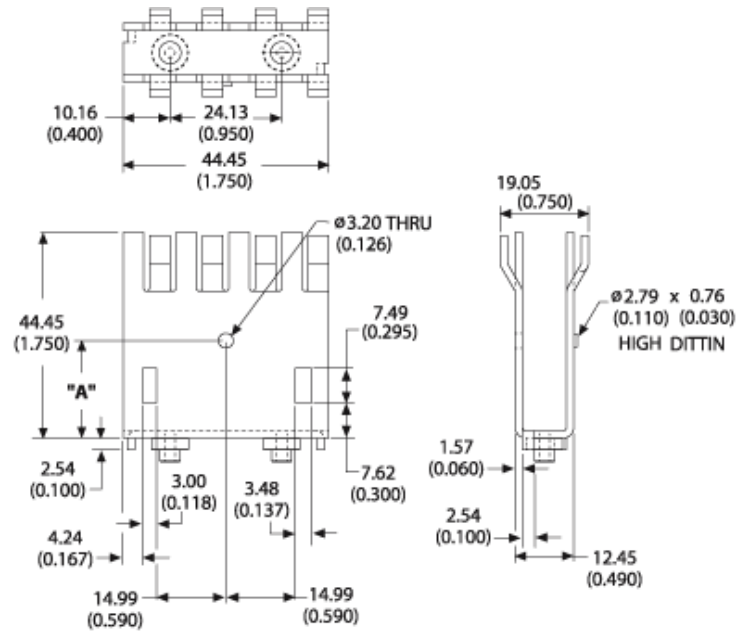


Board Level Cooling – High Rise 5304

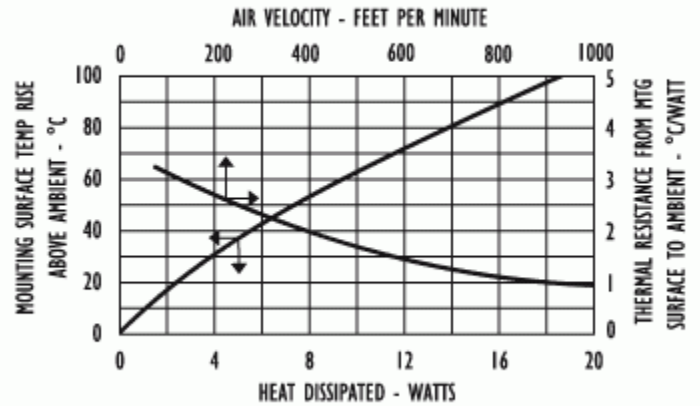
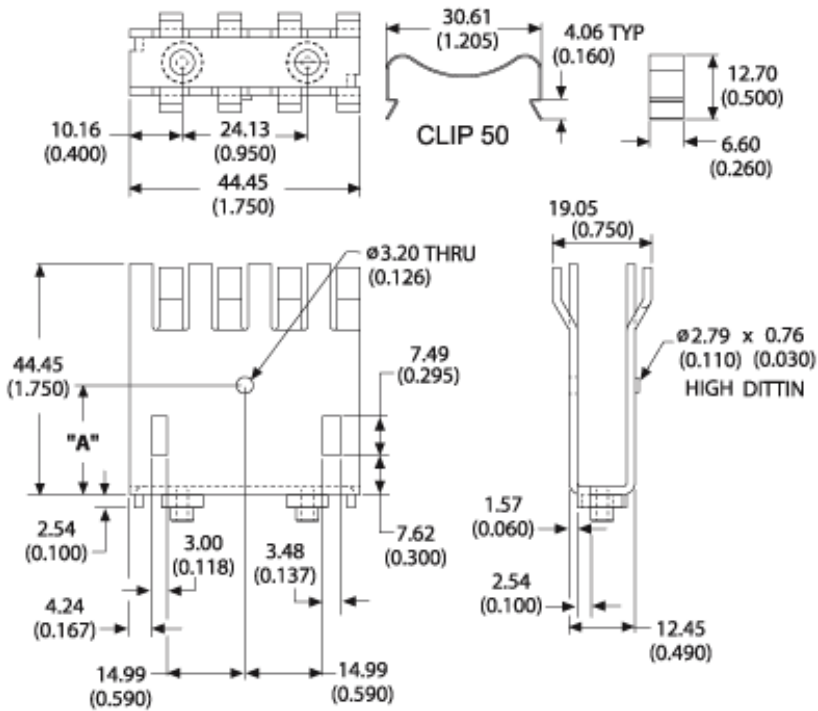
Part Number: 530400B00100G



Part Number: 530402B00100G



Part Number: 530402B00150G



X-ON Electronics

Largest Supplier of Electrical and Electronic Components

Click to view similar products for [Heat Sinks](#) category:

Click to view products by [Aavid](#) manufacturer:

Other Similar products are found below :

[581102B00000G](#) [656-15ABPE](#) [657-20ABPNE](#) [7020B-TC12-MTG](#) [73452PPBA](#) [7G0011A](#) [PF720G](#) [A22-4026](#) [HAH10L](#) [1542616-1](#) [HS-2506-F1](#) [HS-87M0-F2](#) [218-40CTE3](#) [231-69PAB-15V](#) [25-7520](#) [SW50-4G](#) [231-75PAB-13V](#) [231-75PAB-15V](#) [253-122ABE-22](#) [PSC22CB](#) [CLP212SG](#) [CLP-7701G](#) [HAA083](#) [HAF10L](#) [HAQ10T](#) [D10100-28](#) [TO5-002D](#) [BDN183CBA01](#) [3-21053-4](#) [32438](#) [TX0506-1B](#) [TX1806B](#) [LAE66A3CB](#) [WA-DT2-101E](#) [511-3U](#) [73381PPBA](#) [73403PPBA](#) [7G0047C](#) [COMX-440-HSP](#) [510-12M](#) [D10650-40T5](#) [V8511 Y](#) [APF40-40-13CB/A01](#) [780653U04500G](#) [ATS-54310K-C2-R0](#) [FK 216 CB SA](#) [FK 231 SA 220](#) [648-51AB](#) [657-20ABPESC](#) [2341BG](#)