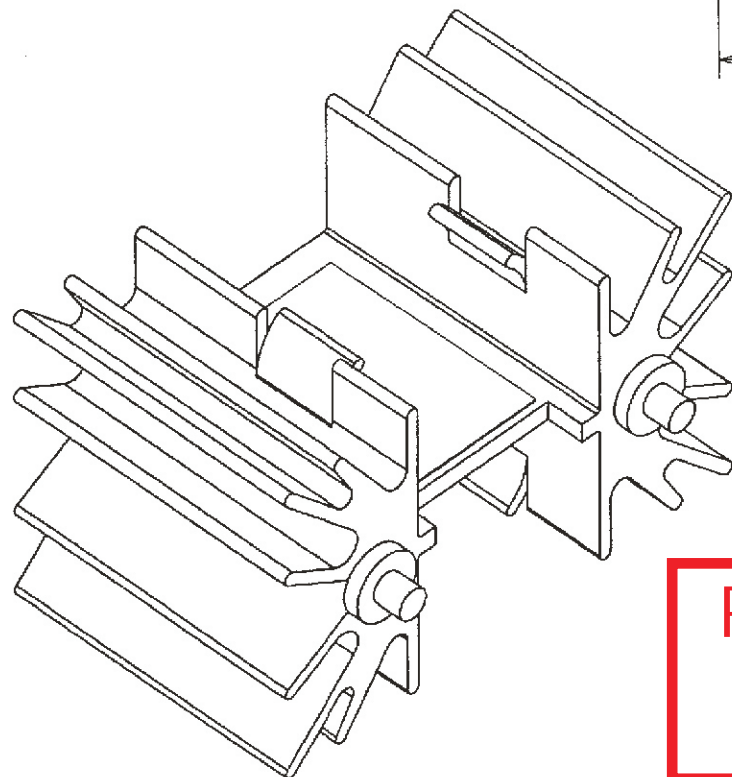
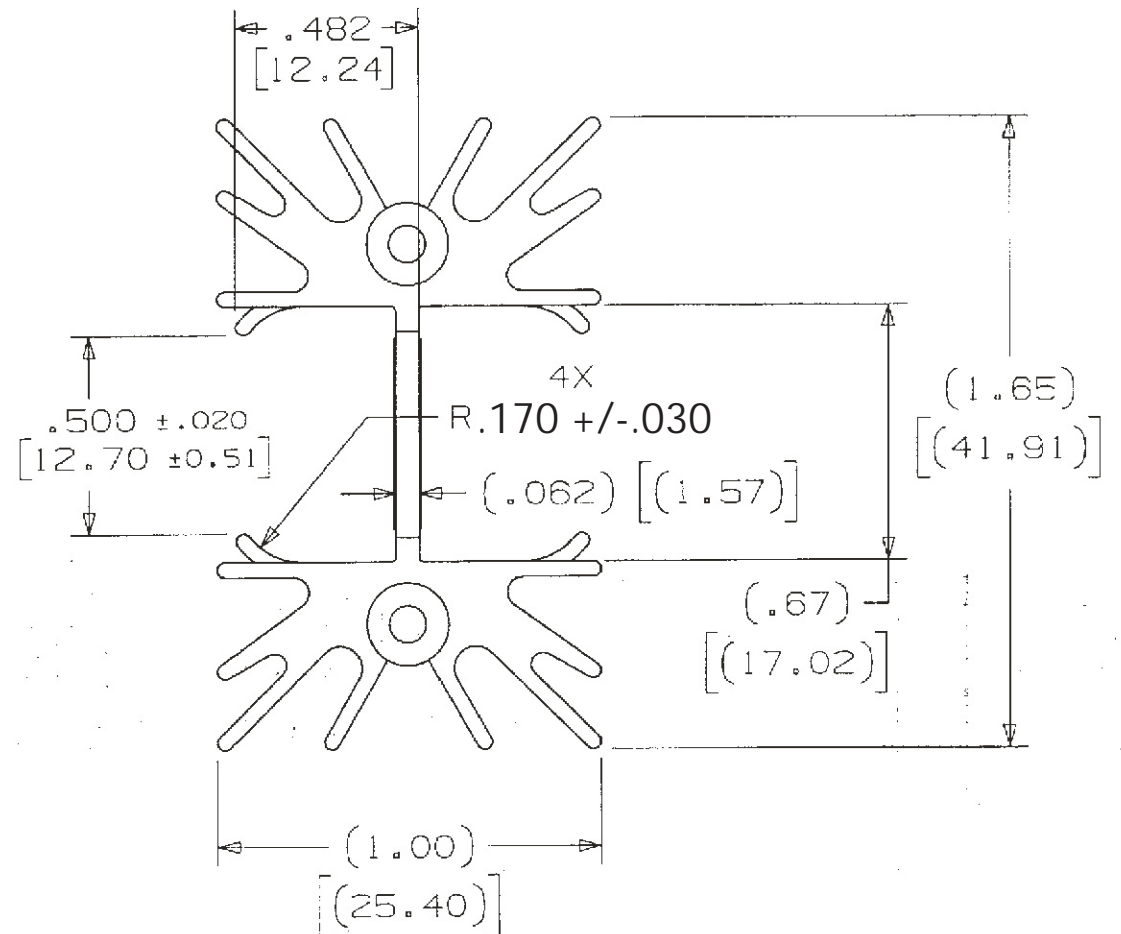
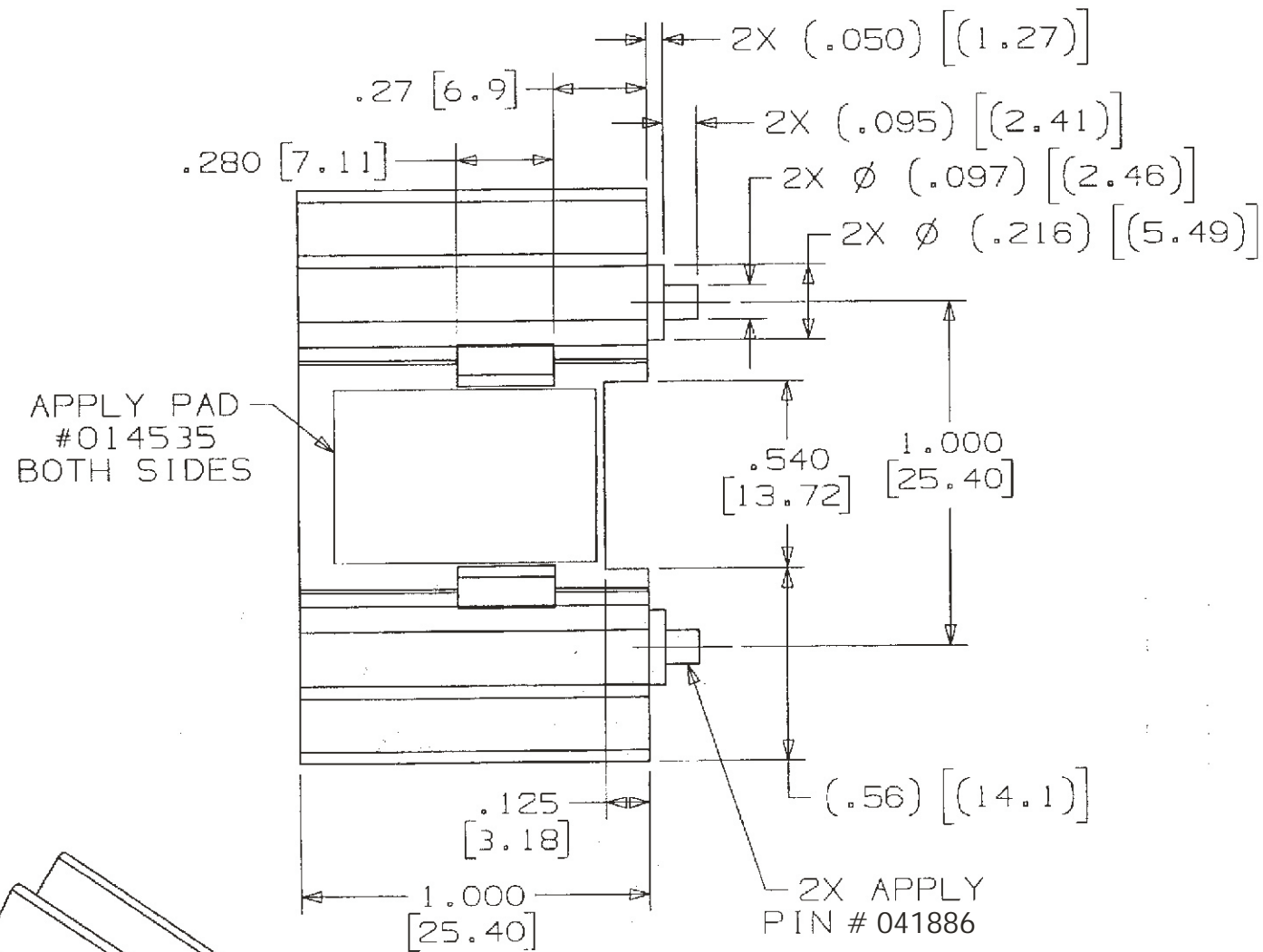


THIS DRAWING AND THE SPECIFICATIONS CONTAINED HEREIN ARE CONFIDENTIAL AND PROPRIETARY. THEY ARE THE PROPERTY OF AAVID THERMAL TECHNOLOGIES INC. AND SHALL NOT BE REPRODUCED OR COPIED OR USED IN WHOLE OR IN PART AS THE BASIS FOR THE MANUFACTURE OR SALE OF ITEMS WITHOUT WRITTEN PERMISSION. THIS IS AN UNPUBLISHED WORK PROTECTED UNDER THE FEDERAL COPYRIGHT LAWS, 1995



NOTE:  
2 CLIPS (000052) MUST BE SUPPLIED FOR EACH PART

**ROHS COMPLIANT**  
PER AAVID SPEC: ROHS - 9000

FINISH	BLACK ANODIZE
U/O	
MAT'L	63130(004553)
TOLERANCE	UNLESS NOTED
.XX	= ±.015 [±.38]
.XXX	= ±.010 [±.25]
ANGULAR	± 3°

B	2/7/07	RELEASE PER ECN# 019535	WJB
A	8/16/05	ROHS RELEASE PER ECN#017642	SPS
REV.	DATE	DESCRIPTION	CHK'D
		80 COMMERCIAL ST. CONCORD, N.H. 03301	
		DRAWING NO. 042286	
STANDARD DESCRIPTION STD,533766B42152G			
DATE	DRAWN	ENGR.	APP'D
08/22/01	SPS	SPS	SPS
SHEET			SCALE 2:1

## X-ON Electronics

Largest Supplier of Electrical and Electronic Components

*Click to view similar products for [Heat Sinks](#) category:*

*Click to view products by [Aavid](#) manufacturer:*

Other Similar products are found below :

[581102B00000G](#) [656-15ABPE](#) [657-20ABPNE](#) [7020B-TC12-MTG](#) [73452PPBA](#) [7G0011A](#) [PF720G](#) [A22-4026](#) [HAH10L](#) [1542616-1](#) [HS-2506-F1](#) [HS-87M0-F2](#) [218-40CTE3](#) [231-69PAB-15V](#) [25-7520](#) [SW50-4G](#) [231-75PAB-13V](#) [231-75PAB-15V](#) [253-122ABE-22](#) [PSC22CB](#) [CLP212SG](#) [CLP-7701G](#) [HAA083](#) [HAF10L](#) [HAQ10T](#) [D10100-28](#) [TO5-002D](#) [BDN183CBA01](#) [3-21053-4](#) [32438](#) [TX0506-1B](#) [TX1806B](#) [LAE66A3CB](#) [WA-DT2-101E](#) [511-3U](#) [73381PPBA](#) [73403PPBA](#) [7G0047C](#) [COMX-440-HSP](#) [510-12M](#) [D10650-40T5](#) [V8511 Y](#) [APF40-40-13CB/A01](#) [780653U04500G](#) [ATS-54310K-C2-R0](#) [FK 216 CB SA](#) [FK 231 SA 220](#) [648-51AB](#) [657-20ABPESC](#) [2341BG](#)