



BOARD LEVEL COOLING – Slide On 5741

Slide On 5741 is a series of slide on board level heat sinks designed to cool TO-220 devices. Representative image only.

ORDERING INFORMATION

Part Number	Device Type
574102B00000G	TO-220
574102B03300G	TO-220
574102B03700G	TO-220



HEAT SINK DETAILS

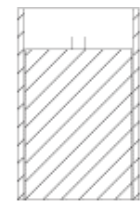
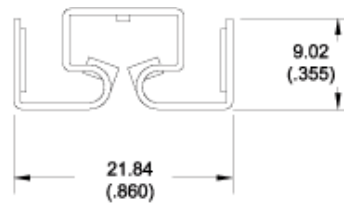
Property	Details
Material	Aluminum
Finish	Black Anodize
Device Attachment Options	Spring Action Slide On
Thermal Interface Material	-

Property	Details
Heat Sink Width (mm)	19.05
Heat Sink Length (mm)	9.02
Heat Sink Height (mm)	21.84
Heat Sink Mounting Direction	Horizontal, Vertical

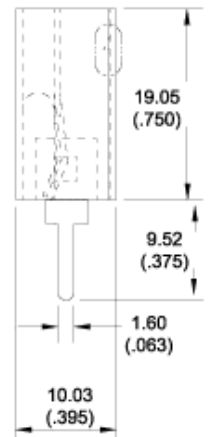
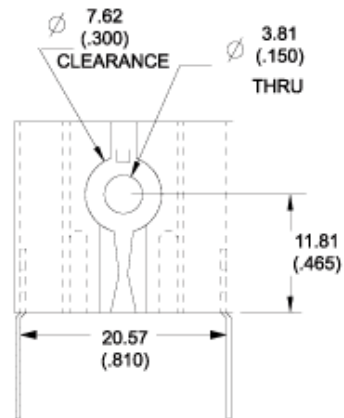
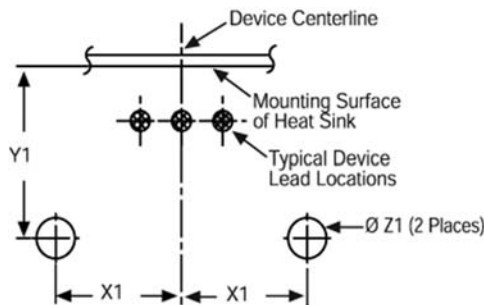
MECHANICAL & PERFORMANCE

Drawing dimensions are shown in mm, (in)

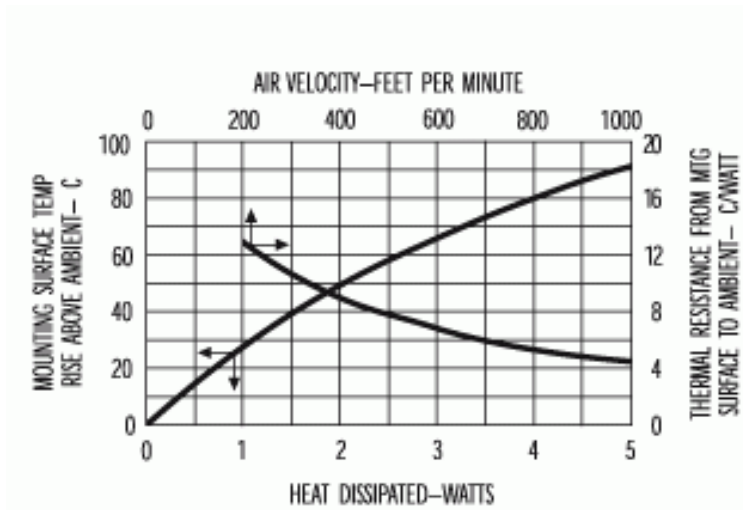
Part Number	"X" Dim	"Y" Dim	"Z" Dim
574102B00000G	-	-	-
574102B03300G	10.54 (0.415)	4.06 (0.160)	1.91 (0.075)
574102B03700G	10.54 (0.415)	4.06 (0.160)	1.91 (0.075)



Mounting Details:



Board Level Cooling – Slide On 5741



X-ON Electronics

Largest Supplier of Electrical and Electronic Components

Click to view similar products for [Heat Sinks](#) category:

Click to view products by [Aavid](#) manufacturer:

Other Similar products are found below :

[581102B00000G](#) [656-15ABPE](#) [657-20ABPNE](#) [7020B-TC12-MTG](#) [73452PPBA](#) [7G0011A](#) [PF720G](#) [A22-4026](#) [HAH10L](#) [HF20](#) [1542616-1](#)
[HS-2506-F1](#) [HS-87M0-F2](#) [218-40CTE3](#) [25-7520](#) [SW50-4G](#) [253-122ABE-22](#) [PSC22CB](#) [CLP212SG](#) [CLP-7701G](#) [HAA083](#) [HAF10L](#)
[HAQ10T](#) [D10100-28](#) [TO5-002D](#) [BDN183CBA01](#) [3-21053-4](#) [32438](#) [TX0506-1B](#) [TX1806B](#) [LAE66A3CB](#) [WA-DT2-101E](#) [511-3U](#)
[73381PPBA](#) [73403PPBA](#) [7G0047C](#) [COMX-440-HSP](#) [510-12M](#) [D10650-40T5](#) [V8511 Y](#) [APF40-40-13CB/A01](#) [780653U04500G](#) [ATS-](#)
[54310K-C2-R0](#) [FK 216 CB SA](#) [FK 231 SA 220](#) [648-51AB](#) [657-20ABPESC](#) [2341BG](#) [679-25AG](#) [FK225 SA L1](#)