



BOARD LEVEL COOLING - Channel 5770

Channel 5770 is a series of channel board level heat sinks designed to cool TO-220 and TO-220-single gauge devices. Representative image only.

ORDERING INFORMATION

Part Number	Device Type
577002B00000G	TO-220, TO-220-single gauge
577002B04000G	TO-220, TO-220-single gauge
577102B00000G	TO-220, TO-220-single gauge
577102B04000G	TO-220, TO-220-single gauge
577202B00000G	TO-220, TO-220-single gauge
577202B04000G	TO-220, TO-220-single gauge
6084BG	TO-220, TO-220-single gauge



HEAT SINK DETAILS

Property	Details
Material	Aluminum
Finish	Black Anodize
Device Attachment Options	Mounting Kit Required
Thermal Interface Material	-

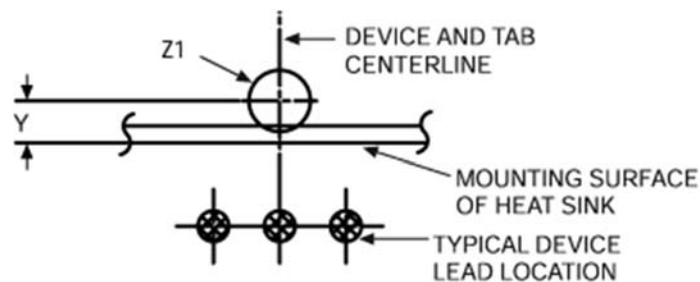
Property	Details
Heat Sink Width (mm)	13.21
Heat Sink Length (mm)	See "H" Dim Below
Heat Sink Height (mm)	19.05
Heat Sink Mounting Direction	Horizontal, Vertical

MECHANICAL & PERFORMANCE

Drawing dimensions are shown in mm, (in)

Part Number	"H" Dim	"Y" Dim	"Z" Dim
577002B00000G	6.35	-	-
577002B04000G	6.35	0.86 (0.034)	1.75 (0.069)
577102B00000G	9.52	-	-
577102B04000G	9.52	0.86 (0.034)	1.75 (0.069)
577202B00000G	12.7	-	-
577202B04000G	12.7	0.86 (0.034)	1.75 (0.069)
6084BG	8.38	-	-

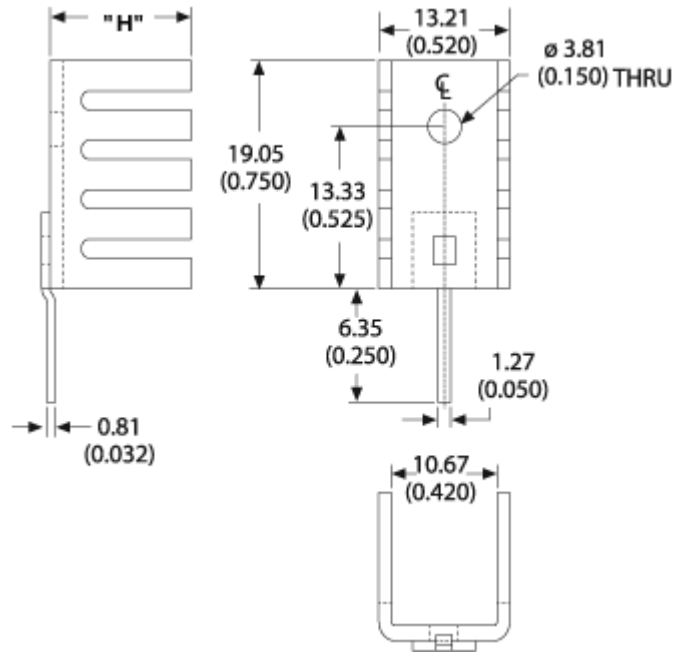
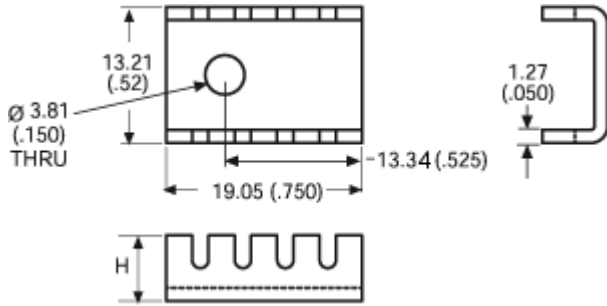
Mounting Details:



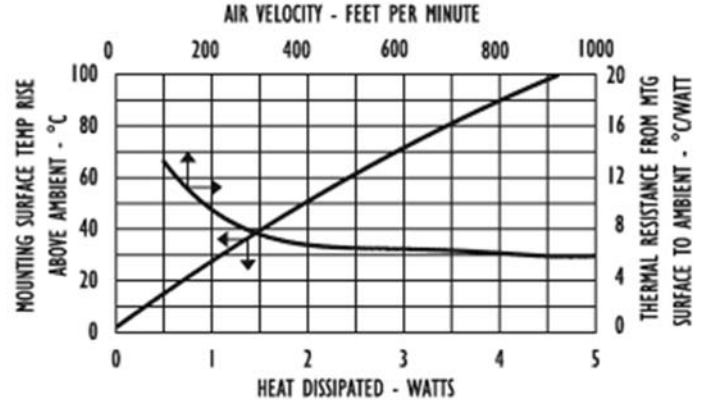
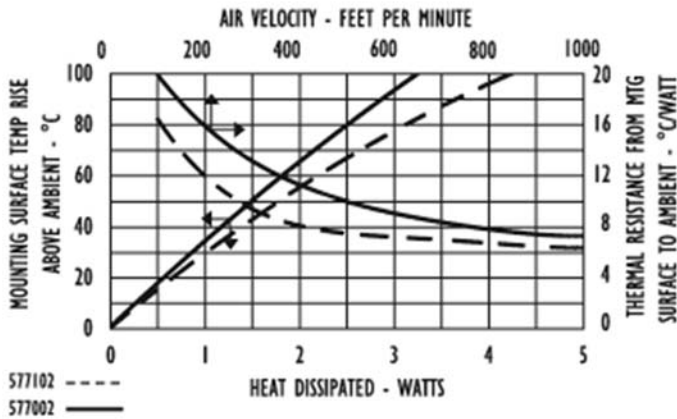
Board Level Cooling – Channel 5770

Part Numbers: 577002B00000G,
577102B00000G, 577202B00000G

Part Numbers: 577002B04000G,
577102B04000G, 577202B04000G

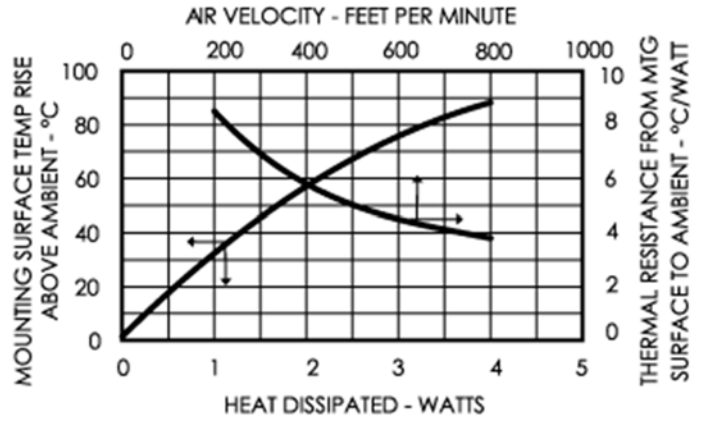
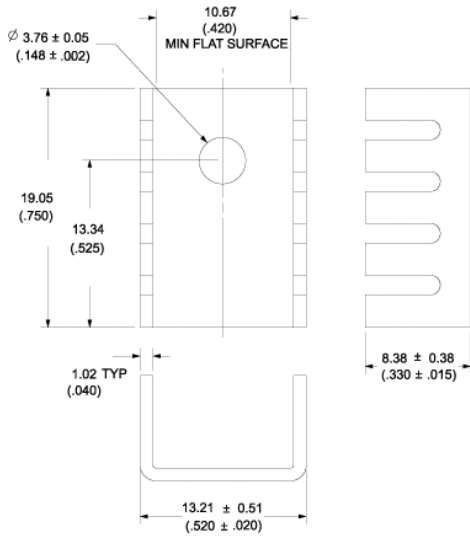


Part Numbers: 577202B00000G,
577202B04000G



Board Level Cooling – Channel 5770

Part Number: 6084BG



X-ON Electronics

Largest Supplier of Electrical and Electronic Components

Click to view similar products for [Heat Sinks](#) category:

Click to view products by [Aavid](#) manufacturer:

Other Similar products are found below :

[581102B00000G](#) [656-15ABPE](#) [657-20ABPNE](#) [7020B-TC12-MTG](#) [73452PPBA](#) [7G0011A](#) [PF720G](#) [A22-4026](#) [HAH10L](#) [HF20](#) [1542616-1](#)
[HS-2506-F1](#) [HS-87M0-F2](#) [218-40CTE3](#) [25-7520](#) [SW50-4G](#) [253-122ABE-22](#) [PSC22CB](#) [CLP212SG](#) [CLP-7701G](#) [HAA083](#) [HAF10L](#)
[HAQ10T](#) [D10100-28](#) [TO5-002D](#) [BDN183CBA01](#) [3-21053-4](#) [32438](#) [TX0506-1B](#) [TX1806B](#) [LAE66A3CB](#) [WA-DT2-101E](#) [511-3U](#)
[73381PPBA](#) [73403PPBA](#) [7G0047C](#) [COMX-440-HSP](#) [510-12M](#) [D10650-40T5](#) [V8511 Y](#) [APF40-40-13CB/A01](#) [780653U04500G](#) [ATS-](#)
[54310K-C2-R0](#) [FK 216 CB SA](#) [FK 231 SA 220](#) [648-51AB](#) [657-20ABPESC](#) [2341BG](#) [679-25AG](#) [FK225 SA L1](#)