

Board Level Cooling – Space Saving 5925



BOARD LEVEL COOLING – Space Saving 5925

Space Saving 5925 is a series of staggered fin board level heat sinks designed to cool TO-220 and TO-220-single gauge devices. Representative image only.

ORDERING INFORMATION

| Part Number | Device Type |
|---------------|-----------------------------|
| 592502B02800G | TO-220, TO-220-single gauge |
| 592502B12800G | TO-220, TO-220-single gauge |
| 592502B03400G | TO-220, TO-220-single gauge |
| 592502B03401G | TO-220, TO-220-single gauge |



HEAT SINK DETAILS

| Property | Details |
|---------------------------------|-----------------------|
| Material | Aluminum |
| Finish | Black Anodize |
| Device Attachment Options | Requires Mounting Kit |
| Device Attachment:592502B03401G | #6-32 Male |
| Thermal Interface Material | - |
| TIM: 592502B12800G | One Kon-dux Pad |

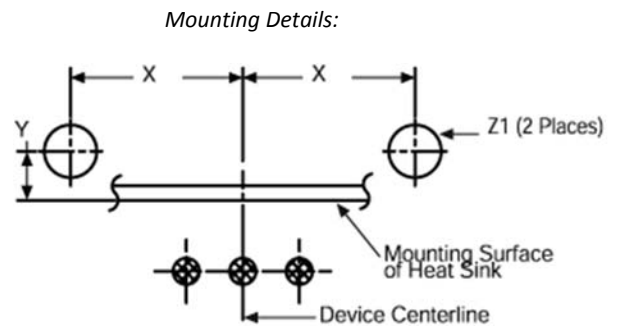
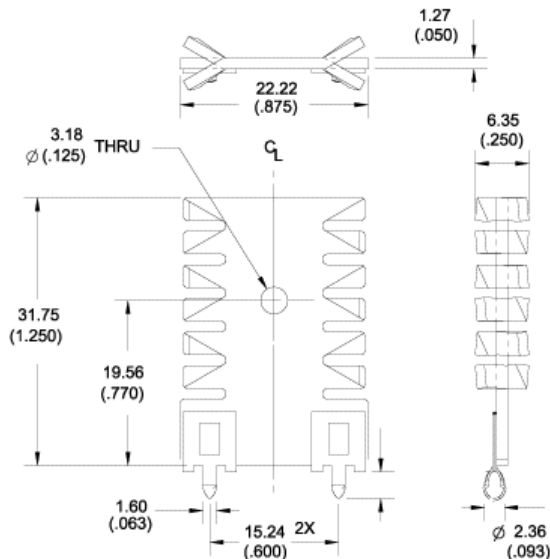
| Property | Details |
|------------------------------|----------|
| Heat Sink Width (mm) | 6.35 |
| Heat Sink Length (mm) | 31.75 |
| Heat Sink Height (mm) | 22.22 |
| Heat Sink Mounting Direction | Vertical |

MECHANICAL & PERFORMANCE

Drawing dimensions are shown in mm, (in)

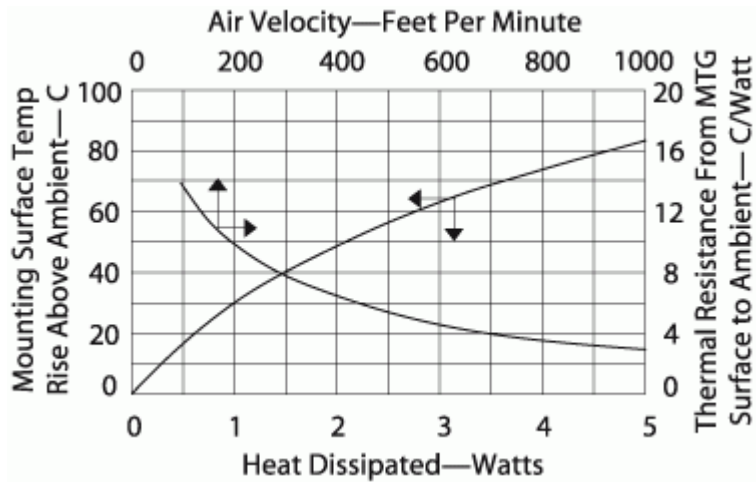
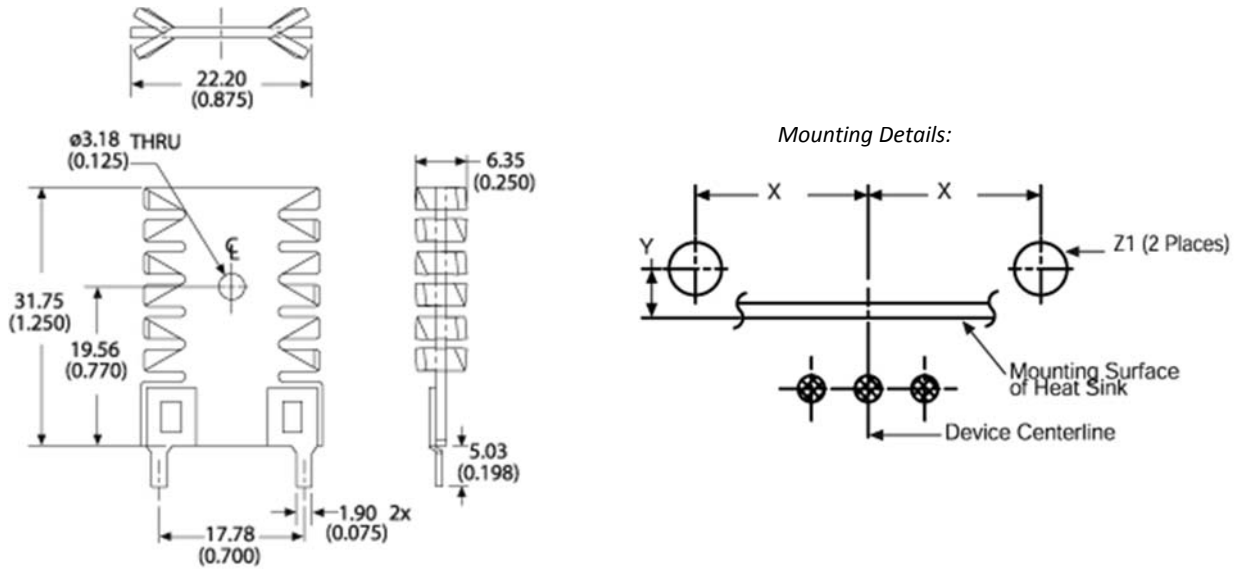
| Part Number | "X" Dim | "Y" Dim | "Z" Dim |
|---------------|--------------|--------------|--------------|
| 592502B02800G | 7.62 (0.300) | 2.45 (0.096) | 2.39 (0.094) |
| 592502B12800G | 7.62 (0.300) | 2.45 (0.096) | 2.39 (0.094) |
| 592502B03400G | 8.89 (0.350) | 1.14 (0.045) | 2.39 (0.094) |
| 592502B03401G | 8.89 (0.350) | 1.14 (0.045) | 2.39 (0.094) |

Part Number: 592502B02800G, 592502B12800G



Board Level Cooling – Space Saving 5925

Part Number: 592502B03400G, 592502B03401G



X-ON Electronics

Largest Supplier of Electrical and Electronic Components

Click to view similar products for [Heat Sinks](#) category:

Click to view products by [Aavid](#) manufacturer:

Other Similar products are found below :

[581102B00000G](#) [630-35ABT3](#) [656-15ABPE](#) [657-20ABPNE](#) [7020B-TC12-MTG](#) [73452PPBA](#) [7721-13NG](#) [7G0011A](#) [FI306/SE](#) [PF720G](#)
[A22-4026](#) [120-1873-007](#) [HAH10L](#) [HF20](#) [1542256-2](#) [1542026-1](#) [1542616-1](#) [HS-2506-F1](#) [HS-87M0-F2](#) [218-40CTE3](#) [25-7520](#)
[188854F00000G](#) [F-QB-F1](#) [APA501-60-003](#) [253-122ABE-22](#) [PSC22CB](#) [CLP-201](#) [CLP212SG](#) [CLP-7701G](#) [HAA072](#) [HAA083](#) [HAF10L](#)
[HAQ10T](#) [D10100-28](#) [TO5-002D](#) [513101B02500G](#) [BDN183CBA01](#) [531202B0000](#) [HS-56M0-C1](#) [3-21053-4](#) [TX0506-1B](#) [TX1806B](#)
[336614B-00000](#) [V2004X](#) [LAE66A3CB](#) [WA-DT2-101E](#) [511-3U](#) [017177](#) [530510B00000G](#) [6110BG](#)