

# Board Level Cooling – Narrow Channel 7019



## BOARD LEVEL COOLING - Narrow Channel 7019

Narrow Channel 7019 is a series of narrow channel board level heat sinks designed to cool TO-220 and TO-220-single gauge devices. Representative image only.

## ORDERING INFORMATION

Part Number	Device Type
7019BG	TO-220, TO-220-single gauge
7019B-MTG	TO-220, TO-220-single gauge



## HEAT SINK DETAILS

Property	Details
Material	Aluminum
Finish	Black Anodize
Device Attachment Options	Requires Mounting Kit
Thermal Interface Material	-

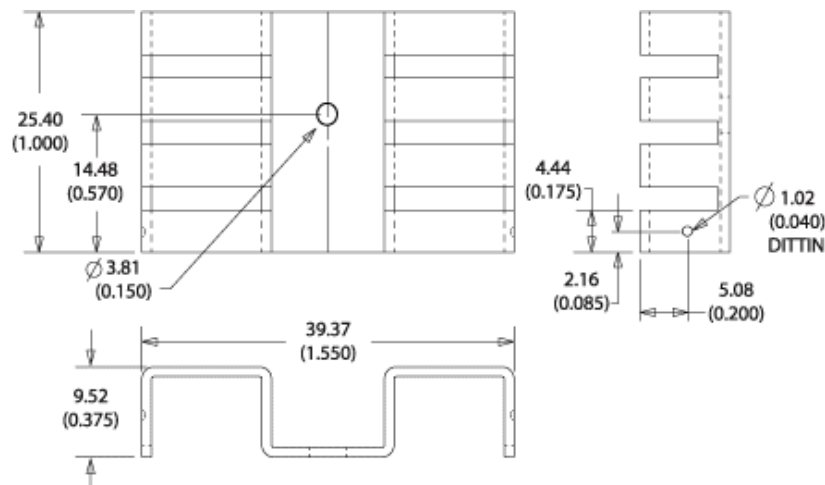
Property	Details
Heat Sink Width (mm)	39.37
Heat Sink Length (mm)	9.52
Heat Sink Height (mm)	25.4
Heat Sink Mounting Direction	Vertical

## MECHANICAL & PERFORMANCE

Drawing dimensions are shown in mm, (in)

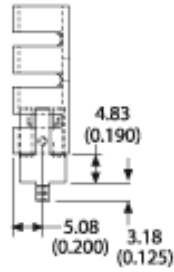
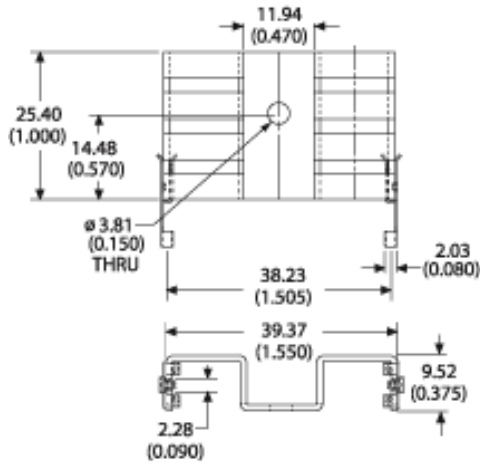
Part Number	"X" Dim	"Y" Dim	"Z" Dim
7019BG	-	-	-
7019B-MTG	19.05 (0.750)	3.94 (0.155)	2.95 (0.116)

Part Number 7019BG

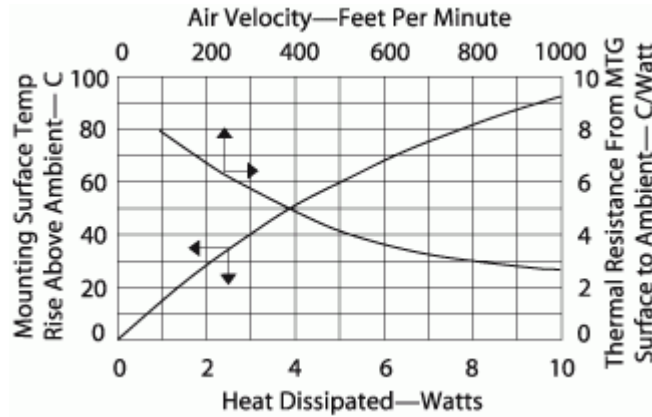
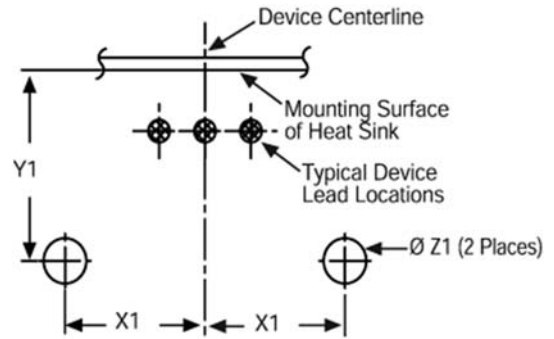


# Board Level Cooling – Narrow Channel 7019

Part Number: 7019B-MTG



*Mounting Details:*



## X-ON Electronics

Largest Supplier of Electrical and Electronic Components

*Click to view similar products for [Heat Sinks](#) category:*

*Click to view products by [Aavid](#) manufacturer:*

Other Similar products are found below :

[581102B00000G](#) [656-15ABPE](#) [657-20ABPNE](#) [7020B-TC12-MTG](#) [73452PPBA](#) [7G0011A](#) [PF720G](#) [A22-4026](#) [HAH10L](#) [1542616-1](#) [HS-2506-F1](#) [HS-87M0-F2](#) [218-40CTE3](#) [231-69PAB-15V](#) [25-7520](#) [SW50-4G](#) [231-75PAB-13V](#) [231-75PAB-15V](#) [253-122ABE-22](#) [PSC22CB](#) [CLP212SG](#) [CLP-7701G](#) [HAA083](#) [HAF10L](#) [HAQ10T](#) [D10100-28](#) [TO5-002D](#) [BDN183CBA01](#) [3-21053-4](#) [32438](#) [TX0506-1B](#) [TX1806B](#) [LAE66A3CB](#) [WA-DT2-101E](#) [511-3U](#) [73381PPBA](#) [73403PPBA](#) [7G0047C](#) [COMX-440-HSP](#) [510-12M](#) [D10650-40T5](#) [V8511 Y](#) [APF40-40-13CB/A01](#) [780653U04500G](#) [ATS-54310K-C2-R0](#) [FK 216 CB SA](#) [FK 231 SA 220](#) [648-51AB](#) [657-20ABPESC](#) [2341BG](#)