



BOARD LEVEL COOLING - Extruded HF

Extruded HF is a series of integral spring board level heat sinks designed to cool TO-220 and TO-220-single gauge devices. Representative image only.

ORDERING INFORMATION

| Part Number | Device Type |
|-------------|-----------------------------|
| HF20G | TO-220, TO-220-single gauge |
| HF35G | TO-220, TO-220-single gauge |



HEAT SINK DETAILS

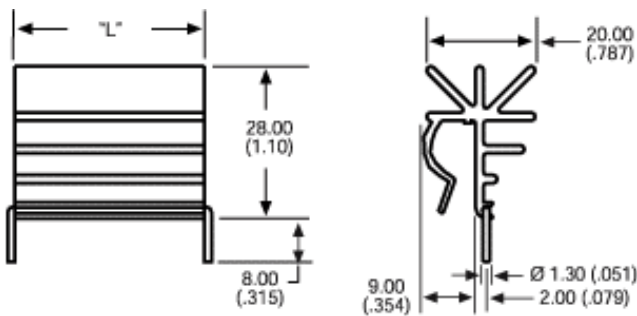
| Property | Details |
|----------------------------|------------------------|
| Material | Aluminum |
| Finish | Black Anodize |
| Device Attachment Options | Integrated Spring Clip |
| Thermal Interface Material | - |

| Property | Details |
|------------------------------|-------------------|
| Heat Sink Width (mm) | 20.0 |
| Heat Sink Length (mm) | See "L" Dim Below |
| Heat Sink Height (mm) | 28.0 |
| Heat Sink Mounting Direction | Vertical |

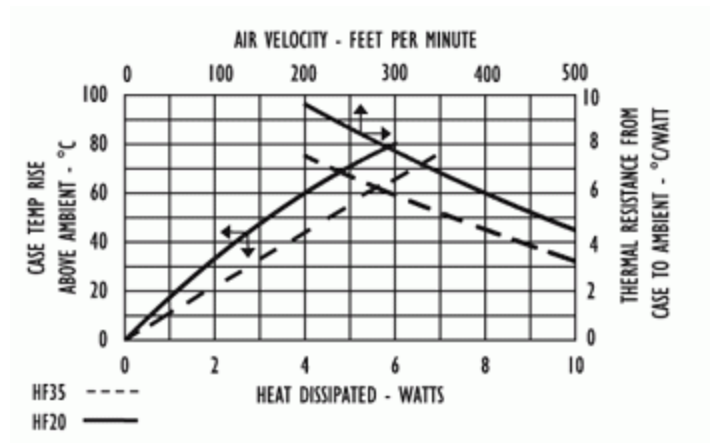
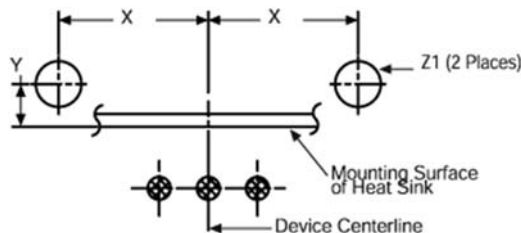
MECHANICAL & PERFORMANCE

Drawing dimensions are shown in mm, (in)

| Part Number | "L" Dim | "X" Dim | "Y" Dim | "Z" Dim |
|-------------|---------|---------------|--------------|--------------|
| HF20G | 20.0 | 10.49 (0.413) | 2.01 (0.079) | 1.55 (0.061) |
| HF35G | 35.0 | 17.98 (0.708) | 2.01 (0.079) | 1.55 (0.061) |



Mounting Details:



X-ON Electronics

Largest Supplier of Electrical and Electronic Components

Click to view similar products for [Heat Sinks](#) category:

Click to view products by [Aavid](#) manufacturer:

Other Similar products are found below :

[581102B00000G](#) [656-15ABPE](#) [657-20ABPNE](#) [7020B-TC12-MTG](#) [73452PPBA](#) [7G0011A](#) [PF720G](#) [A22-4026](#) [HAH10L](#) [1542616-1](#) [HS-2506-F1](#) [HS-87M0-F2](#) [218-40CTE3](#) [231-69PAB-15V](#) [25-7520](#) [SW50-4G](#) [231-75PAB-13V](#) [231-75PAB-15V](#) [253-122ABE-22](#) [PSC22CB](#) [CLP212SG](#) [CLP-7701G](#) [HAA083](#) [HAF10L](#) [HAQ10T](#) [D10100-28](#) [TO5-002D](#) [BDN183CBA01](#) [3-21053-4](#) [32438](#) [TX0506-1B](#) [TX1806B](#) [LAE66A3CB](#) [WA-DT2-101E](#) [511-3U](#) [73381PPBA](#) [73403PPBA](#) [7G0047C](#) [COMX-440-HSP](#) [510-12M](#) [D10650-40T5](#) [V8511 Y](#) [APF40-40-13CB/A01](#) [780653U04500G](#) [ATS-54310K-C2-R0](#) [FK 216 CB SA](#) [FK 231 SA 220](#) [648-51AB](#) [657-20ABPESC](#) [2341BG](#)