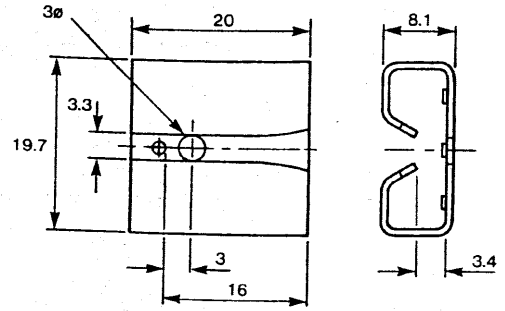
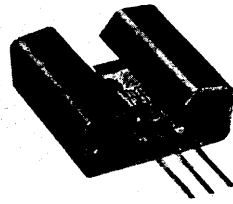


PF720 Clip-on Heatsink – TO220

New low cost clip-on heatsink with pressure applied directly above the junction providing optimum case to heatsink thermal transfer. Designed for use without thermal interface grease.
Manufactured from pre-painted (black) aluminium.

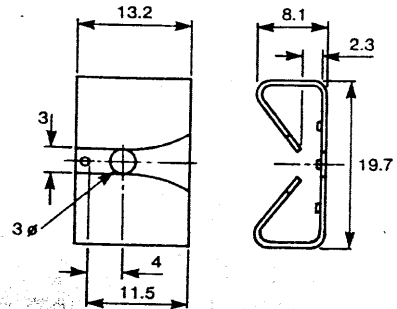
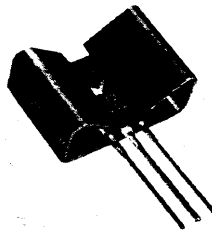
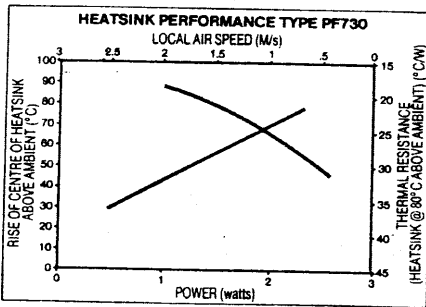
PF720 $\Theta = 28\text{ }^{\circ}\text{C/W}$



PF730 Clip-on Heatsink – TO126

New low cost clip-on heatsink with pressure applied directly above the junction providing optimum case to heatsink thermal transfer. Designed for use without thermal interface grease.
Finish: Black anodised.

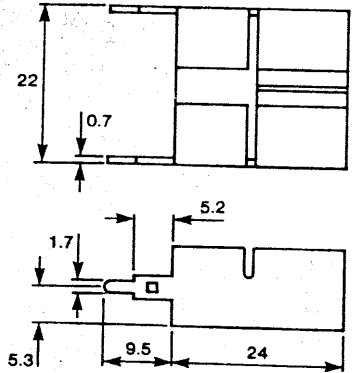
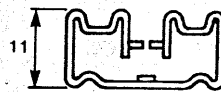
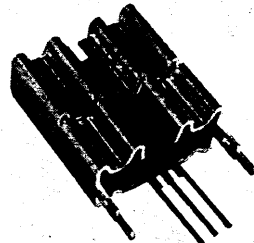
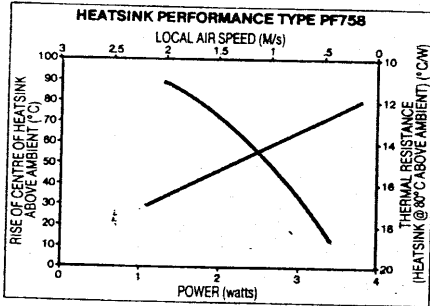
PF730 $\Theta = 35\text{ }^{\circ}\text{C/W}$



PF758 Clip-on Heatsink – TO220

An addition to the PF750 series giving improved thermal performance. Integral solderable tags for flow solder assembly to PCB. Designed for use without thermal interface grease.

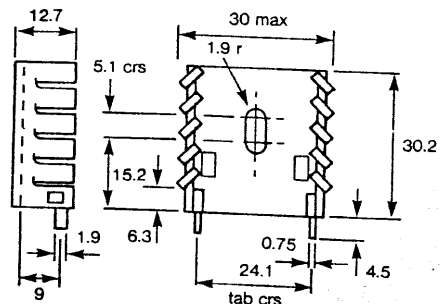
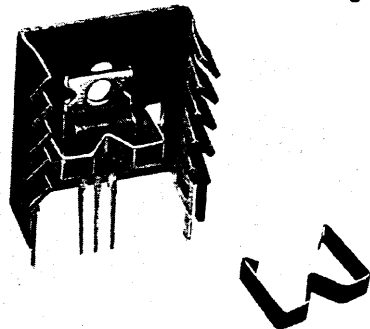
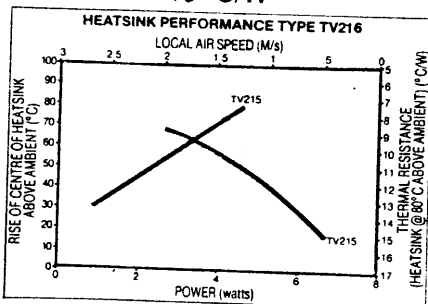
PF758 $\Theta = 19.5\text{ }^{\circ}\text{C/W}$



TV216 Powerfin – TO220, TO218 etc.

Twisted vane heatsink features stake-on tags providing flow solder facility to P.C.B. and slots to take 7701 clamping spring for TO220 device, fixing with pressure applied directly above junction.
Manufactured from pre-painted (black) aluminium with solder coated tags.

TV216 $\Theta = 13\text{ }^{\circ}\text{C/W}$



X-ON Electronics

Largest Supplier of Electrical and Electronic Components

Click to view similar products for [Heat Sinks](#) category:

Click to view products by [Aavid](#) manufacturer:

Other Similar products are found below :

[581102B00000G](#) [656-15ABPE](#) [657-20ABPNE](#) [7020B-TC12-MTG](#) [73452PPBA](#) [7G0011A](#) [PF720G](#) [A22-4026](#) [120-1873-007](#) [HAH10L](#)
[1542616-1](#) [218-40CTE3](#) [25-7520](#) [231-75PAB-13V](#) [231-75PAB-15V](#) [253-122ABE-22](#) [PSC22CB](#) [CLP212SG](#) [HAF10L](#) [HAQ10T](#) [D10100-](#)
[28](#) [BDN183CBA01](#) [3-21053-4](#) [32438](#) [TX0506-1B](#) [TX1806B](#) [LAE66A3CB](#) [WA-DT2-101E](#) [511-3U](#) [73381PPBA](#) [73403PPBA](#) [7G0047C](#)
[COMX-440-HSP](#) [510-12M](#) [D10650-40T5](#) [V8511 Y](#) [APF40-40-13CB/A01](#) [780653U04500G](#) [ATS-54310K-C2-R0](#) [FK 216 CB SA](#) [648-51AB](#)
[657-20ABPESC](#) [2341BG](#) [679-25AG](#) [FK 212 CB SA](#) [FK225 SA L1](#) [680-5K](#) [7106DG/TR](#) [7109DG/TR](#) [S14K35G3S5](#)