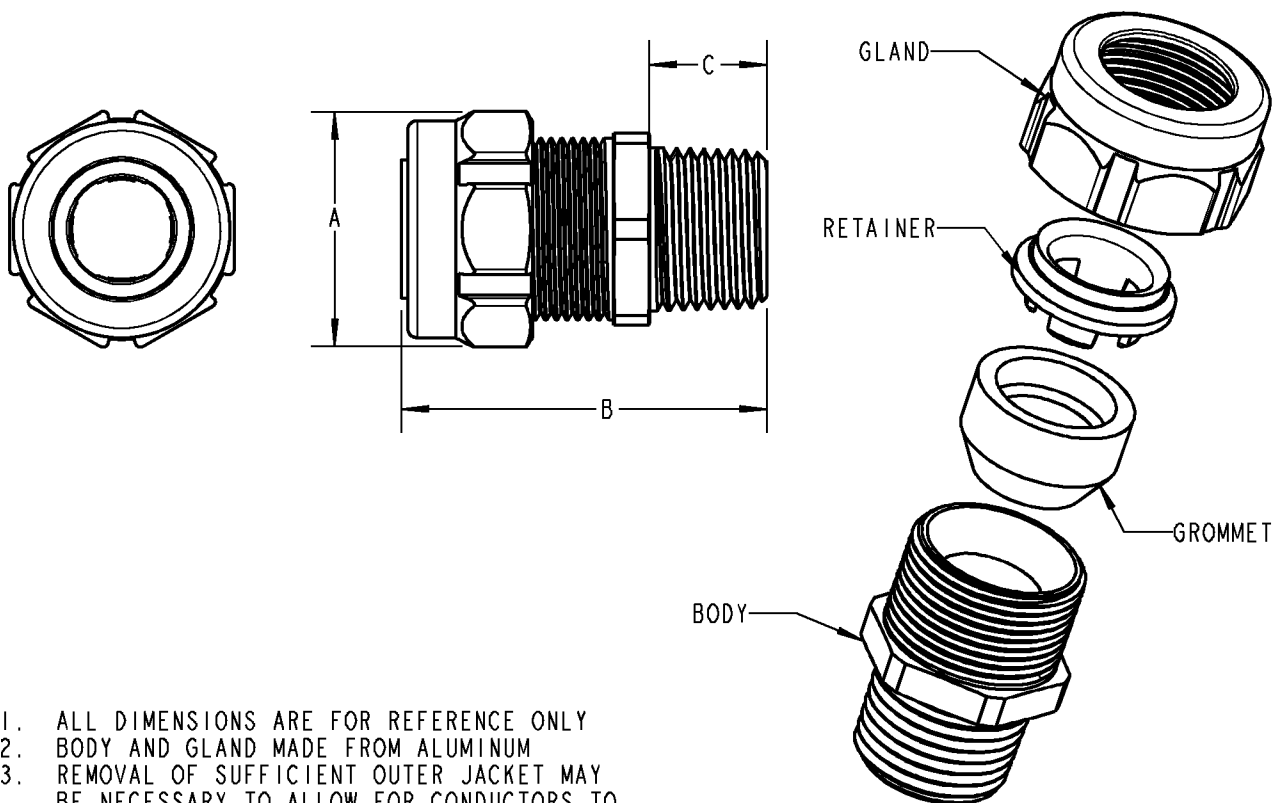




T&B Portable Cord Fittings



1. ALL DIMENSIONS ARE FOR REFERENCE ONLY
2. BODY AND GLAND MADE FROM ALUMINUM
3. REMOVAL OF SUFFICIENT OUTER JACKET MAY BE NECESSARY TO ALLOW FOR CONDUCTORS TO PASS THROUGH CONNECTOR THROAT.

CAT #	SIZE	CORD RANGE	DIM A	DIM B	DIM C
2942AL	1" (27)	.700-.950 (17.780-24.130)	1.525 (38.735)	2.150 (54.610)	0.789 (20.041)
2941AL	1" (27)	.500-.750 (12.700-19.050)	1.277 (32.436)	2.150 (54.610)	0.789 (20.041)
2940AL	1" (27)	.310-.560 (10.974-14.224)	1.277 (32.436)	2.150 (54.610)	0.789 (20.041)
2932AL	3/4" (21)	.500-.750 (12.700-19.050)	1.277 (32.436)	1.970 (50.038)	0.628 (15.951)
2931AL	3/4" (21)	.310-.560 (10.974-14.224)	1.277 (32.436)	1.970 (50.038)	0.628 (15.951)
2930AL	3/4" (21)	.125-.375 (3.175-9.525)	1.277 (32.436)	1.970 (50.038)	0.628 (15.951)
2922AL	1/2" (16)	.500-.750 (12.700-19.050)	1.277 (32.436)	1.900 (48.260)	0.613 (15.570)
2921AL	1/2" (16)	.310-.560 (10.974-14.224)	1.167 (29.642)	1.900 (48.260)	0.613 (15.570)
2920AL	1/2" (16)	.125-.375 (3.175-9.525)	1.167 (29.642)	1.900 (48.260)	0.613 (15.570)

GENERAL NOTES

1. ALL DIMENSIONS ARE FOR REFERENCE ONLY.
2. DIMENSIONS IN BRACKETS [] ARE IN METRIC UNITS.

REVISIONS

SEE ERN (2007596) FOR APPROVAL SIGNATURES & RELEASE DATE.
PROJECT NO: RD55539

Thomas & Betts
www.tnb.com

DESCRIPTION:

RANGER SERIES CORD CONNECTORS

ORIGINAL PROJECT NO / (ERN NO)

RD55539 / 2004385

SHEET NO:

1 OF 1

REV. NO:

1

DRAWING NO:

WSD-000077

X-ON Electronics

Largest Supplier of Electrical and Electronic Components

Click to view similar products for [Wire Identification category](#):

Click to view products by [ABB manufacturer](#):

Other Similar products are found below :

[CU6337-000](#) [CU6342-000](#) [FCA-410-12](#) [11631010](#) [1-1768037-1](#) [1-1768037-2](#) [1-1768050-0](#) [PXLK-VI](#) [Q62184-1](#) [A64304-000](#) [QMT221](#)
[HK032WE1NF038B](#) [1330-0519-10](#) [1395199-1](#) [1395200-1](#) [1395202-1](#) [DMVF050WE-300S6](#) [D-SCE-1K-2.4-50-4-CS7834](#) [1538738-1](#)
[E90935-000](#) [EC1238-000](#) [EC1465-000](#) [EC1855-000](#) [EC1859-000](#) [EC1863-000](#) [EC5415-000](#) [EC7277-000](#) [EC7352-000](#) [EC7603-000](#)
[EC7707-000](#) [EC7735-000](#) [EC7768-000](#) [EC7828-000](#) [EC7854-000](#) [EC7952-000](#) [EC8128-000](#) [1768037-8](#) [1768041-7](#) [NC-127191-10-9](#)
[HS048WE2NF038B](#) [C03232-000](#) [HTCM-SCE-14-4H-9](#) [HTMS-3/16-9](#) [HT-SCE-1/4-2.0-4](#) [HT-SCE-3/16-2.0-4](#) [HTTMS-1/2-1.50-9](#) [HTTMS-](#)
[CM-1/2-4H-9](#) [HX-SCE-19.0-50-9](#) [HX-SCE-6.4-50-4](#) [C25254-000](#)