

Power Quality ANR96

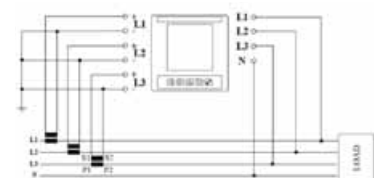
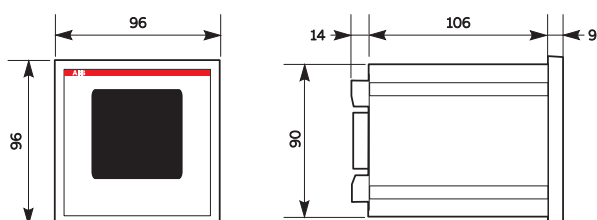


ANR	
Technical data	ANR96-230, ANR96-230 02 ANR96PRF-230 ANR96LAN-230
Dimensions [mm]	96 x 96 x 130
Weight	430 [g]
Power supply	85÷265 V a.c./d.c.
Power supply frequency	from 30 Hz to 500 Hz
Power consumption	5 VA
Internal data store	128 kb
Measuring range	
TRMS current	CT .../5A
TRMS voltage	660 V phase/phase KVT programmable
Frequency	from 30 Hz to 500 Hz
THD V and I (Total Harmonic Distortion)	up to the 31st harmonic
CT transformer ratio (I n / I sec)	0.01 to 5000.00
VT transformer ratio (V n / V sec)	0.01 to 5000.00
Measurable maximum current	25000 A
Measurable maximum voltage	500000 V
Communication	
Digital outputs programmable as alarms or impulses	
Vmax on contact	230 V a.c./d.c
Imax on contact	150 mA
Impulse programming constant	programmable
Analogue outputs	-
Digital inputs	
Voltage	from 12 to 24 V d.c.
Serial port	RS485, RS232
Protocols	Modbus RTU Profibus DP ANR96PRF-230 Modbus TCP/IP ANR96LAN-230
Max Baud rate	1.2, 2.4, 4.8, 9.6, 19.2 bps

User interface	
Display	Backlighted graphic LCD
Wave form display for V and I of each phase	yes
Accuracy rating	
Accuracy rating for V	±0.5% ±1 digit ¹⁾
Accuracy rating for I	±0.5% ±1 digit ²⁾
Accuracy rating Power	±0.5% ±0.1% f.s. from cosφ=0.3 to cosφ=-0.3
Accuracy rating for active energy	Class 1 ³⁾
Accuracy rating for reactive energy	Class 2
Frequency	±0.2% ±0.1 Hz from 30 to 500 Hz
Operating conditions	
Operating temperature	from -10 °C to 50 °C
Storage temperature	from -15 °C to 70 °C
Reference standards	EN61010-1; IEC 60688; IEC 62053-23

0.2% only for ANR96-230 02; ²⁾ 0.2% only for ANR96-24 02; ³⁾ class 0,5 only for ANR96-230 02; ⁴⁾ class 0,5 only for ANR96-24 02

Dimensions and Wiring diagram

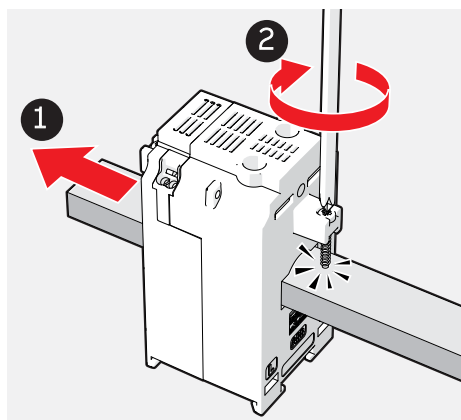


Insertion with 3 CTs

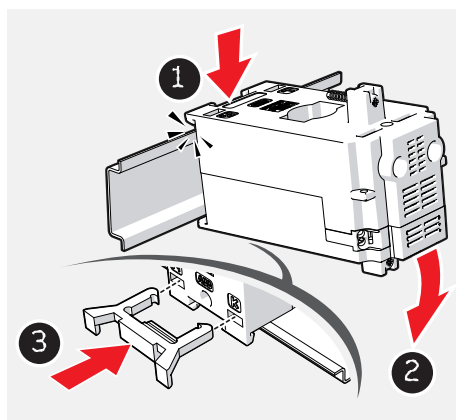
CT PRO XT, CT MAX

Installation sequences

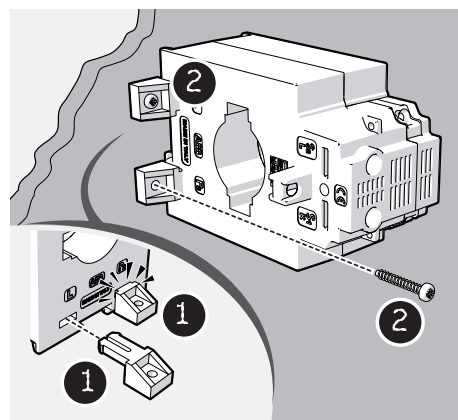
Fixing systems



Installation on cable or primary busbar

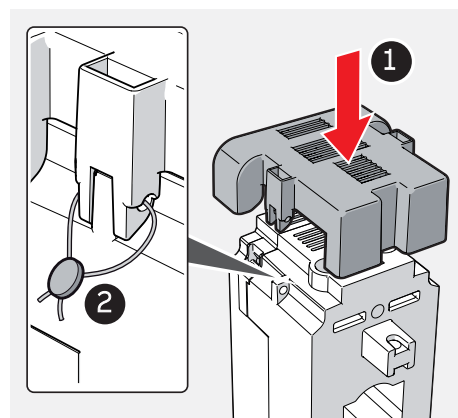
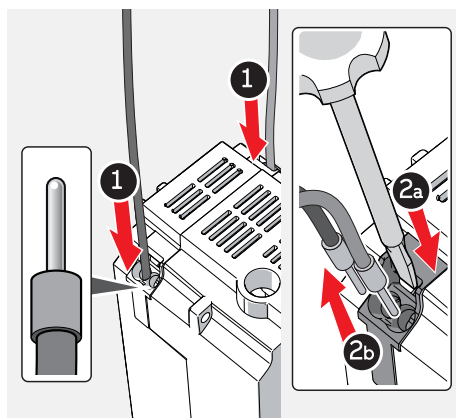
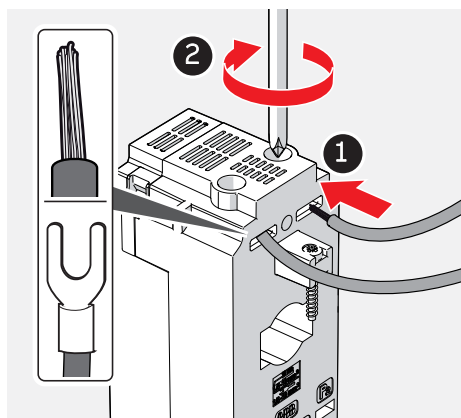


DIN rail installation



Wall-mounting installation

Wiring method

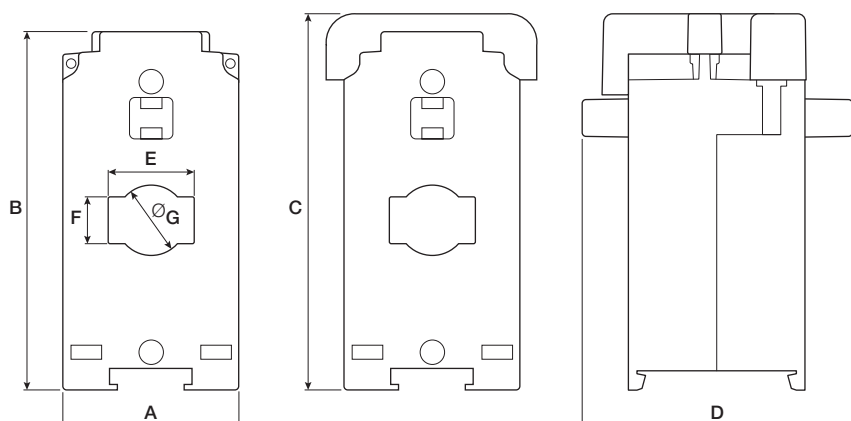


If the screw secondary terminals of the current transformer are used, the connections must be made using cables with forked cable terminals or stripped cables, in accordance with the instructions directly indicated on the product.

Wiring with screwless terminals requires cables with pin terminals, without the need of any mounting tools. Once the transformer has been installed, the sealable cover can be fixed with sealing wire.

Overall dimensions

	A	B	C	D	E	F	G
CT PRO XT .../5A45	92	96	69	22	12	18	



X-ON Electronics

Largest Supplier of Electrical and Electronic Components

Click to view similar products for [Digital Panel Meters](#) category:

Click to view products by [ABB](#) manufacturer:

Other Similar products are found below :

[M00558-00](#) [01.098.1658.1](#) [70.360.4828.0](#) [72331-00](#) [85310-25](#) [86427-26](#) [86642-00](#) [87268-13](#) [87316-00](#) [87719-26](#) [98107-56](#) [HB8260-R36-90](#) [DMS-20ACV-3-R-C](#) [EM11DINAV81XR1X](#) [25.325.3253.1](#) [25.325.4253.1](#) [25.330.0453.1](#) [25.350.0553.0](#) [20046-20](#) [20182-23](#) [AP1020](#) [AP1021](#) [25.320.5053.0](#) [25.350.3453.1](#) [25.394.3653.1](#) [25.521.3253.0](#) [28006-01](#) [04.630.1080.0](#) [20078-20](#) [EM11DINAV81XO1X](#) [85874-26](#) [87166-00](#) [87895-00](#) [28000-03](#) [K3GN-NDT1-FLK 24VDC](#) [DPM942-FPSI](#) [82322K-11](#) [86641-00](#) [87004-00](#) [MV15-DC-20V-110V-CU](#) [HB8260R4890](#) [20125-21](#) [86640-00](#) [2CMA100166R1000](#) [2CMA103575R1000](#) [N27D 00M0](#) [F452120](#) [PG-100-103GP](#) [PG-100-102RP](#) [PG-100B-102R-H](#)