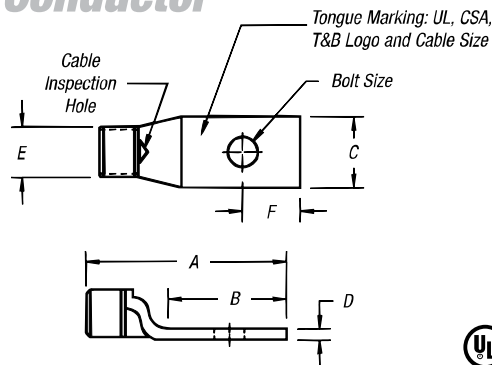


## Compression Connectors for Copper Conductor

### One-Hole Lugs — Standard Barrel 600V to 35kV

**Material:** High-Conductivity Wrought Copper

**Finish:** Electro Tin Plate



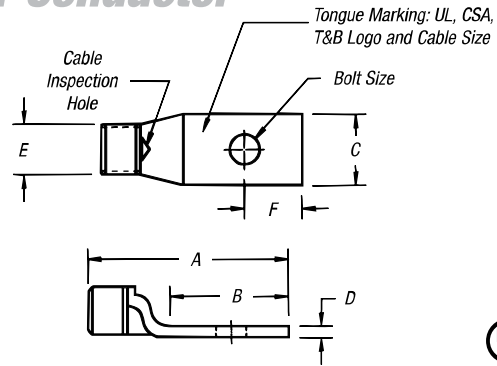
CAT. NO.	WIRE SIZE			DIMENSIONS (IN.)						DIE CODE	DIE COLOR
	CODE	FLEX CLASS G, H, I, K, M†	BOLT SIZE	A	B	C	D	E	F		
54101			¼	1.23	.56	.50	.05	.20	¼		"C" NEST
256-30695-1351	#14-10 AWG		#8	1.36	.68	.36	.05	.20	¼	ERG4002	
256-30695-1352			¼	1.36	.68	.41	.05	.20	¼	ERG4005	
256-30695-263			¼	1.69	.81	.50	.07	.20	¼		
54104			#10	1.16	.50	.39	.08	.25	⅜	21	RED
54130	#8 AWG	23 Navy	¼	1.20	.61	.45	.07	.25	¼	21	
54131		#8 Weld	⅝	1.33	.64	.56	.05	.25	⅝	21	
54132		37/24 = 14.9 kcmil	⅝	1.33	.64	.56	.05	.25	⅝	21	
256-30695-424			½	1.75	1.31	1.00	.13	.25	½	21	BLUE
256-30695-1361	#6 AWG		#12	1.23	.53	.44	.07	.31	⅞	24	
54134		#30 Navy	¼	1.23	.53	.44	.07	.31	⅞	24	
54105		#6 Weld	⅝	1.41	.67	.60	.07	.31	⅝	24	
54135	61/24 = 24.6 kcmil		⅝	1.41	.67	.60	.07	.31	⅝	24	GRAY
54136		133/.014	⅝	1.41	.75	.56	.06	.31	⅝	24	
256-30695-282			⅝	1.41	.75	.56	.06	.31	⅝	24	
256-30695-422			½	1.75	1.31	1.00	.13	.31	½	24	
256-30695-1362	#4 AWG		#12	1.38	.60	.55	.09	.37	¼	29	BROWN
54138		#4 Weld	#10	1.38	.60	.55	.09	.37	¼	29	
54106		40-50 Navy	¼	1.38	.60	.55	.09	.37	¼	29	
54139	91/24 = 36.7 kcmil	⅝	1.42	.66	.61	.07	.37	⅝	29		
54140	133/.0177		⅝	1.42	.66	.61	.07	.37	⅝	29	GREEN
256-30695-233		49/.029	⅝	1.56	.75	.59	.06	.37	⅝	29	
256-30695-264		#5 91/24	½	2.20	1.40	1.00	.06	.37	½	29	
54107	#2 AWG		¼	1.50	.65	.59	.11	.41	¼	33	
54142-TB		#60 Navy	⅝	1.73	.88	.59	.11	.41	⅝	33	
54143-TB		125/24 = 50.5 kcmil	⅝	1.65	.80	.59	.11	.41	⅝	33	
54145-TB	#3 Weld	½	1.92	1.08	.75	.08	.41	½	33		
54108	#1 AWG	75 Navy, #2 Weld	¼	1.50	.65	.68	.11	.47	¼	37	BLACK
54147		150/24 = 60.5 kcmil	⅝	1.73	.93	.68	.11	.47	⅝	37	
54148		175/24 = 70.6 kcmil	⅝	1.78	.98	.68	.11	.47	⅝	37	
54150	133/.0223	½	2.10	1.25	.76	.11	.47	½	37		
54152-TB	1/0 AWG		¼	1.60	.65	.75	.13	.52	¼	42	BLACK
54153-TB		#100 Navy	⅝	1.83	.88	.75	.13	.52	⅝	42	
54109		#1 Weld	⅝	1.88	.93	.75	.13	.52	⅝	42	
54155-TB	225/24 = 90.8 kcmil	½	2.20	1.25	.75	.13	.52	½	42		
256-30695-1383	133/.0254	⅝	2.54	1.50	.88	.13	.52	⅝	42		
54157	2/0 AWG	125 Navy	¼	1.65	.65	.83	.13	.57	¼	45	BLACK
54158		1/0 Weld	⅝	1.88	.88	.83	.13	.57	⅝	45	
54110		275/24 = 111 kcmil	⅝	1.93	.93	.83	.13	.57	⅝	45	
54160	427/.0155	½	2.25	1.25	.83	.13	.57	½	45		
256-30695-131	133/.0282	⅝	2.56	1.50	.83	.13	.57	⅝	45		

† Contact Technical Services for specific stranding listings

Tooling: pp. F-80-F-100

Die Selector Chart: pp. F-101-F-104

## Compression Connectors for Copper Conductor



CAT. NO.	WIRE SIZE			DIMENSIONS (IN.)						DIE CODE	DIE COLOR
	CODE	FLEX CLASS G, H, I, K, M <sup>1</sup>	BOLT SIZE	A	B	C	D	E	F		
54162-TB		150 Navy, 2/0 Weld	¼	1.75	.65	.92	.13	.63	¼	50	ORANGE
54163-TB	3/0 AWG	325/24 = 131 kcmil	⅝	1.98	.88	.92	.13	.63	⅝	50	
54111		133/.0316, 259/.0227	⅝	2.03	.93	.92	.13	.63	⅝	50	
54165-TB		427/.0177	½	2.35	1.25	.92	.13	.63	½	50	PURPLE
54167	4/0 AWG	200 Navy	¼	1.90	.65	1.03	.14	.70	¼	54	
54168		3/0 Weld	⅝	2.13	.87	1.03	.14	.70	⅝	54	
54112		450/24 = 182 kcmil	⅝	2.18	.93	1.03	.14	.70	⅝	54	
54170		703/.0154	½	2.50	1.25	1.03	.14	.70	½	54	YELLOW
256-30695-1174			¾	2.86	1.56	1.03	.14	.70	¾	54	
58161		4/0 Weld	¼	2.23	.78	1.25	.15	.79	¾	62	
58162		550/24 = 222 kcmil	⅝	2.33	.88	1.25	.15	.79	¾	62	YELLOW
58163		133/.0399	⅝	2.38	.93	1.25	.15	.79	¾	62	
58165		259/.0286	½	2.76	1.25	1.25	.15	.79	½	62	
58166		637/.0183	⅝	3.03	1.58	1.25	.15	.79	¾	62	WHITE
54172-TB			¼	2.00	.65	1.13	.14	.77	½	62	
54173	250 kcmil	250 Navy	⅝	2.23	.88	1.13	.14	.77	¾	62	
54174			⅝	2.28	.93	1.13	.14	.77	¾	62	
54113			½	2.60	1.25	1.13	.14	.77	½	62	WHITE
58168		250 Weld, 650/24 = 262 kcmil, 259/.0311, 703/.0189	½	2.70	1.25	1.25	.15	.85	½	66	
54178	300 kcmil	300 Navy	⅝	2.33	.88	1.25	.15	.85	¾	66	
54179			⅝	2.43	.93	1.25	.15	.85	¾	66	
54114			½	2.70	1.25	1.25	.15	.85	½	66	
54181			⅝	3.03	1.58	1.25	.15	.85	¾	66	RED
58171		300 Weld, 259/.034, 427/.0265, 889/.0183 775/24 = 313 kcmil	½	2.85	1.25	1.36	.18	.93	½	71	
256-30695-112			⅝	2.90	1.13	1.36	.18	.93	½	71	
54115	350 kcmil	350 Navy	½	2.85	1.25	1.36	.18	.93	½	71	RED
54183			⅝	3.21	1.58	1.36	.18	.93	¾	71	
58174		350 Weld, 259/.0368, 427/.0285, 703/.0224, 889/.0201	½	3.35	1.25	1.61	.22	1.09	½	76	BLUE
54116	400 kcmil	400 Navy	½	3.20	1.25	1.41	.17	.96	½	76	
54185			⅝	3.53	1.58	1.41	.17	.96	¾	76	

<sup>1</sup> Contact Technical Services for specific stranding listings

Tooling: pp. F-80-F-100

Die Selector Chart: pp. F-101-F-104

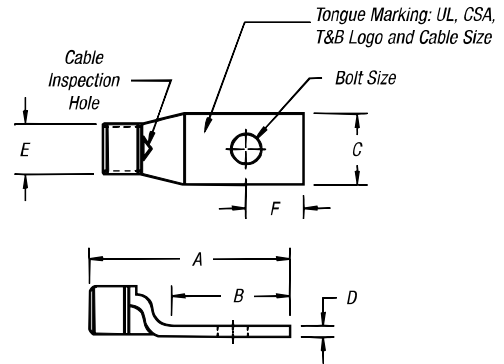
Connectors & Grounding — Blackburn® Compression Connectors Featuring the Color-Keyed® System

## Compression Connectors for Copper Conductor

### One-Hole Lugs — Standard Barrel 600V to 35kV (continued)

**Material:** High-Conductivity Wrought Copper

**Finish:** Electro Tin Plate



CAT. NO.	WIRE SIZE			DIMENSIONS (IN.)						DIE CODE	DIE COLOR	
	CODE	FLEX CLASS G, H, I, K, M†	BOLT SIZE	A	B	C	D	E	F			
		400 Weld										
256-30695-1403		925/24 = 373 kcmil	3/8	3.31	1.31	1.61	.22	1.04	3/8	80	N/A	
58177		259/.0393 or 427/.0306	1/2	3.31	1.25	1.61	.22	1.04	1/2	80		
256-30695-339			3/8	3.10	1.00	1.61	.22	1.10	3/8	87	BROWN	
54118	500 kcmil	500 Navy	1/2	3.30	1.25	1.61	.22	1.10	1/2	87		
54187			3/8	3.63	1.58	1.61	.22	1.10	3/8	87		
58180		450 Flex, 1127, 4522 1100/24 = 444 kcmil	3/8	3.79	1.58	1.75	.24	1.20	3/8	94	GREEN	
256-30695-1370			1/2	3.65	1.44	1.75	.24	1.20	3/16	94		
54120	600 kcmil		3/8	3.79	1.58	1.75	.24	1.20	3/8	94	PINK	
54122-TB	700 kcmil		3/8	3.68	1.58	1.84	.23	1.26	3/8	99		
256-30695-1404		1325/24 = 535 kcmil	3/8	3.29	1.29	1.81	.28	1.25	21/32	99	PINK	
256-30695-1405		500 Flex 427/.0342	1/2	3.29	1.29	1.81	.28	1.25	21/32	99		
256-30695-840		259, 4125, 5054	3/8	4.00	1.69	1.81	.28	1.25	31/64	99		
58182			3/8	3.83	1.58	1.81	.28	1.25	3/8	99	BLACK	
256-30695-193		600 Flex 427	1/2	4.00	1.69	1.94	.27	1.33	31/64	106		
54123-TB	750 kcmil		3/8	3.87	1.58	1.94	.27	1.33	3/8	106	ORANGE	
58184		1600/24 = 646 kcmil	3/8	3.80	1.58	1.94	.27	1.33	3/8	106		
54124-TB	800 kcmil	800 Navy	3/8	4.04	1.58	2.01	.27	1.38	3/8	107	YELLOW	
256-30695-843		1925/24 = 777 kcmil	1/2	4.31	1.81	2.17	.31	1.50	7/8	115		
54126	900 kcmil		3/8	4.15	1.58	2.17	.31	1.50	3/8	115	N/A	
54126		900 Navy	3/8	4.15	1.58	2.17	.31	1.50	3/8	115		
54128	1000 kcmil	1000 Navy	3/8	4.09	1.58	2.27	.30	1.55	3/8	125		

† Contact Technical Services for specific stranding listings

Tooling: pp. F-80-F-100

Die Selector Chart: pp. F-101-F-104

Note: Angled Lugs can be readily available as: 15°, 30°, 45°, 60°, and 90°

## X-ON Electronics

Largest Supplier of Electrical and Electronic Components

*Click to view similar products for [abb](#) manufacturer:*

Other Similar products are found below :

[TV10-516R](#) [017667013](#) [RF727](#) [2CMA100178R1000](#) [2CMA100163R1000](#) [5SDD 92Z0401](#) [ESV14-BS](#) [EVS-21-250](#) [F204AC-40/0.03](#) [F362-25/0.03](#) [GJL1211201R8000](#) [GJL1211501R8000](#) [GJL1213001R0017](#) [GJL1213001R0101](#) [GJL1311001R0011](#) [GJL1311001R0101](#) [GJL1311001R8010](#) [GJL1311201R0001](#) [GJL1313001R0011](#) [GJL1313001R0101](#) [GJL1317201R0001](#) [A40-30-10-84](#) [AF09-30-01-11](#) [AF460-30-11-68](#) [1455](#) [B14-250](#) [EF45-30](#) [ERG297](#) [HSC2-20](#) [1SAM201904R1001](#) [1SAM350000R1003](#) [1SAZ721201R1009](#) [1SAZ721201R1014](#) [1SAZ721201R1025](#) [1SBL157001R1310](#) [1SBL277001R1300](#) [1SBL277001R4100](#) [1SBL367001R1300](#) [1SBL387001R4100](#) [1SBN010110R1001](#) [1SBN010110R1010](#) [1SBN010140R1022](#) [1SBN010140R1122](#) [1SDA057197R1](#) [1SFA611101R1002](#) [1SFA611130R1103](#) [1SFA611131R1101](#) [1SFA611143R1101](#) [1SFA611202R1108](#) [1SFA611203R1108](#)