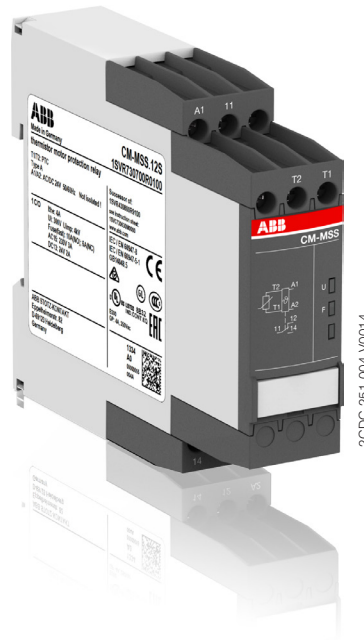


Thermistor motor protection relays CM-MSS.12 and CM-MSS.13

The thermistor motor protection relays CM-MSS.12 and CM-MSS.13 monitor the winding temperature of motors and protect them from overheating, overload and insufficient cooling.

The devices are available with two different terminal versions. You can choose between the proven screw connection technology (double-chamber cage connection terminals) and the completely tool-free Easy Connect Technology (push-in terminals).



2CDC 251 004 V001.4

Characteristics

- 1 measuring circuit
- Automatic reset
- Overvoltage protected supply and measuring inputs
- According to the product standard IEC 60947-8
- Screw connection technology or Easy Connect Technology available
- Housing material for highest fire protection classification UL 94 V-0
- Tool-free mounting on DIN rail as well as demounting
- 22.5 mm (0.89 in) width
- Various certifications and approvals (see overview, document no. [2CDC112248D0201](#))

Order data

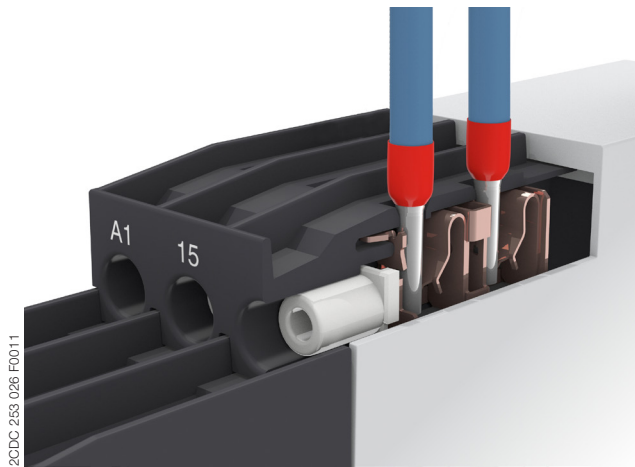
Type	Rated control supply voltage	Output contacts	Connection technology	Order code
CM-MSS.12P	24 V AC/DC *	1 c/o (SPDT) contact	Push-in terminals	1SVR740700R0100
CM-MSS.12S			Screw terminals	1SVR730700R0100
CM-MSS.13P	110-130 V AC, 220-240 V AC		Push-in terminals	1SVR740700R2100
CM-MSS.13S			Screw terminals	1SVR730700R2100

* Supply and measuring circuits not electrically isolated

Connection technology

Maintenance free Easy Connect Technology with push-in terminals

Type designation CM-xxS.yyP

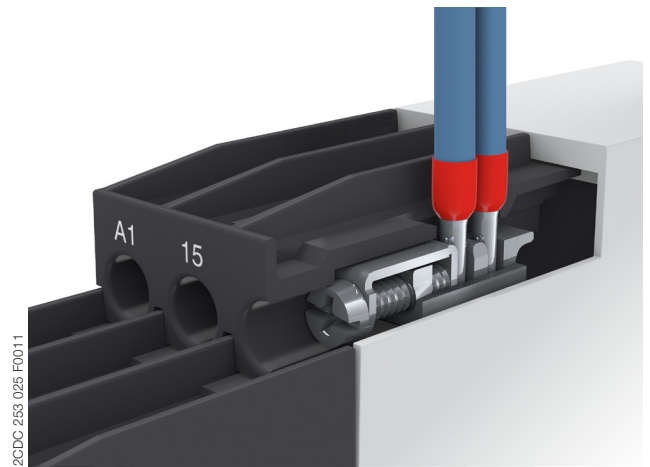


Push-in terminals

- Tool-free connection of rigid and flexible wires with wire end ferrule
- Easy connection of flexible wires without wire end ferrule by opening the terminals
- No retightening necessary
- One operation lever for opening both connection terminals
- For triggering the lever and disconnecting of wires you can use the same tool (Screwdriver according to DIN ISO 2380-1 Form A 0.8 x 4 mm (0.0315 x 0.157 in), DIN ISO 8764-1 PZ1 \varnothing 4.5 mm (0.177 in))
- Constant spring force on terminal point independent of the applied wire type, wire size or ambient conditions (e. g. vibrations or temperature changes)
- Opening for testing the electrical contacting
- Gas-tight

Approved screw connection technology with double-chamber cage connection terminals

Type designation CM-xxS.yyS



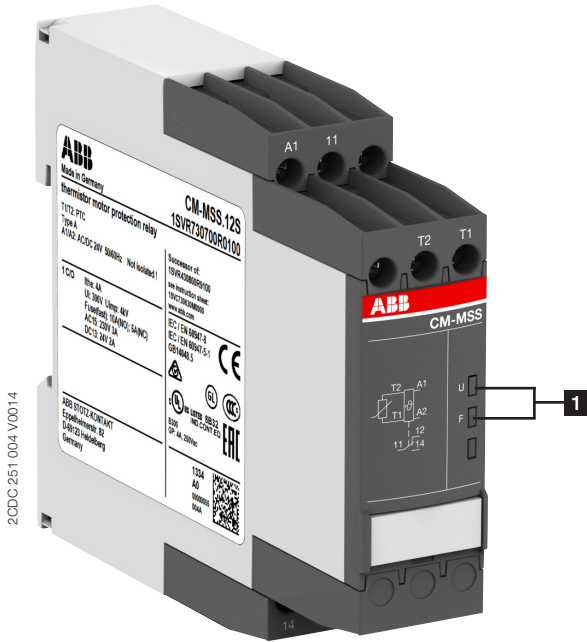
Double-chamber cage connection terminals

- Terminal spaces for different wire sizes
- One screw for opening and closing of both cages
- Pozidrive screws for pan- or crosshead screwdrivers according to DIN ISO 2380-1 Form A 0.8 x 4 mm (0.0315 x 0.157 in), DIN ISO 8764-1 PZ1 \varnothing 4.5 mm (0.177 in)

Both the Easy Connect Technology with push-in terminals and screw connection technology with double-chamber cage connection terminals have the same connection geometry as well as terminal position.

Functions

Operating controls



1 Indication of operational states with LEDs

U: green LED - Status indication of control supply voltage

Control supply voltage applied

F: red LED - Fault message

Application / Monitoring function

The thermistor motor protection relay CM-MSS monitors the winding temperature and thus protects the motor from overheating, overload and insufficient cooling in accordance to the product standard IEC 60947-8, control units for built-in thermal protection (PTC) for rotating electrical machines.

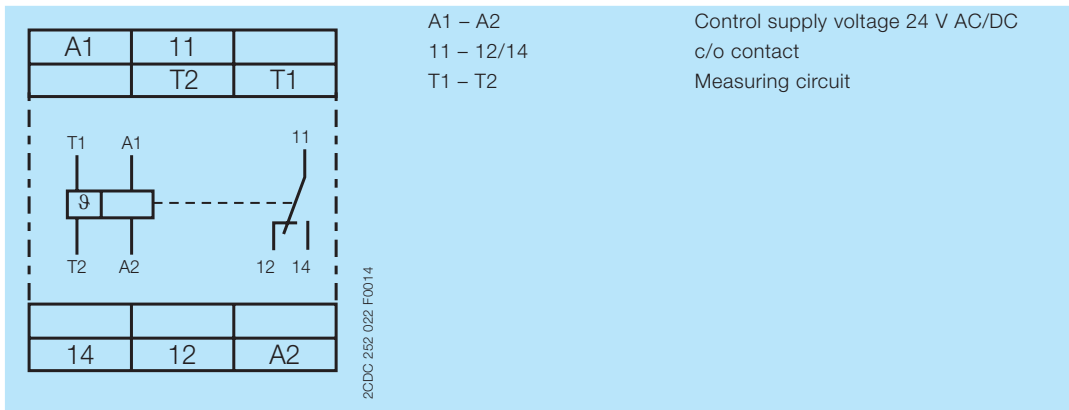
Operating mode

The thermistor motor protection relays CM-MSS.12 and CM-MSS.13 are used to monitor the temperature of motors or generators equipped with PTC resistor sensors type A. The sensors are built-in into the motor windings, measuring the motor heating. In case of an increase of the temperature in the motor, the resistance of the PTC sensors will increase as well. If the motor heats-up excessively ($>2.7 \text{ k}\Omega$) the output relay de-energizes and the corresponding LED displays the overtemperature. A reset is only possible after cooling down of the motor ($<1.2 \text{ k}\Omega$).

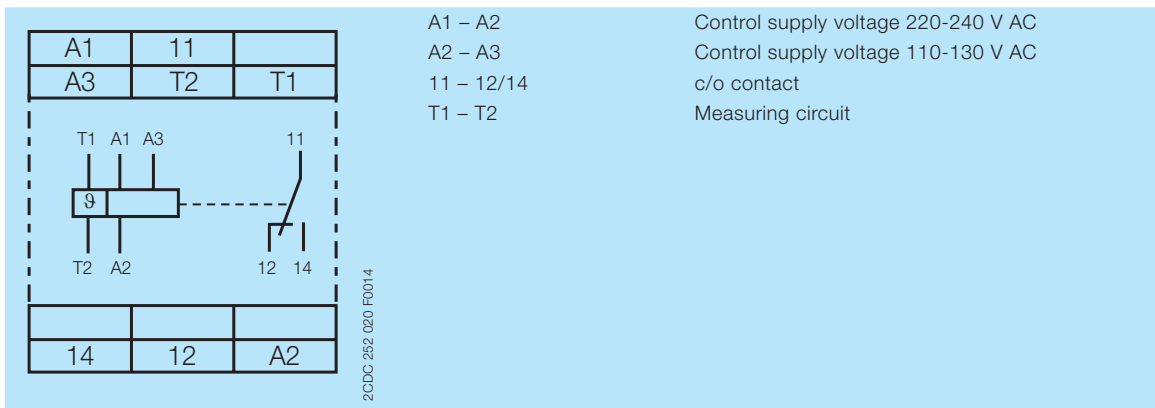
Reset

Once the fault has been rectified and the measured value has dropped below the release threshold, an automatic reset is executed.

Electrical connection

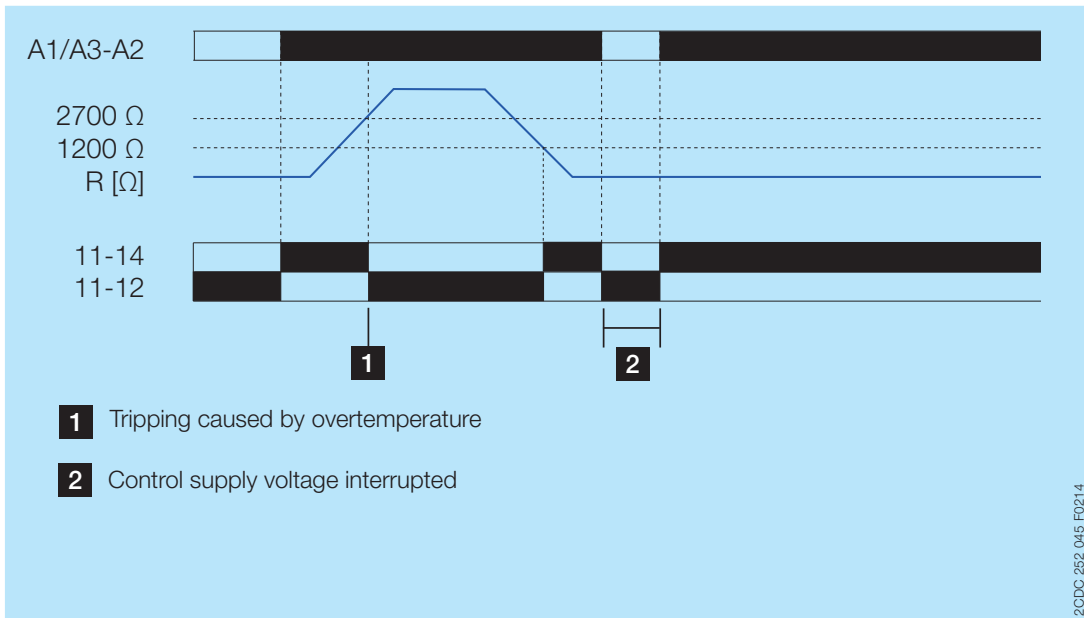


Connection diagram CM-MSS.12



Connection diagram CM-MSS.13

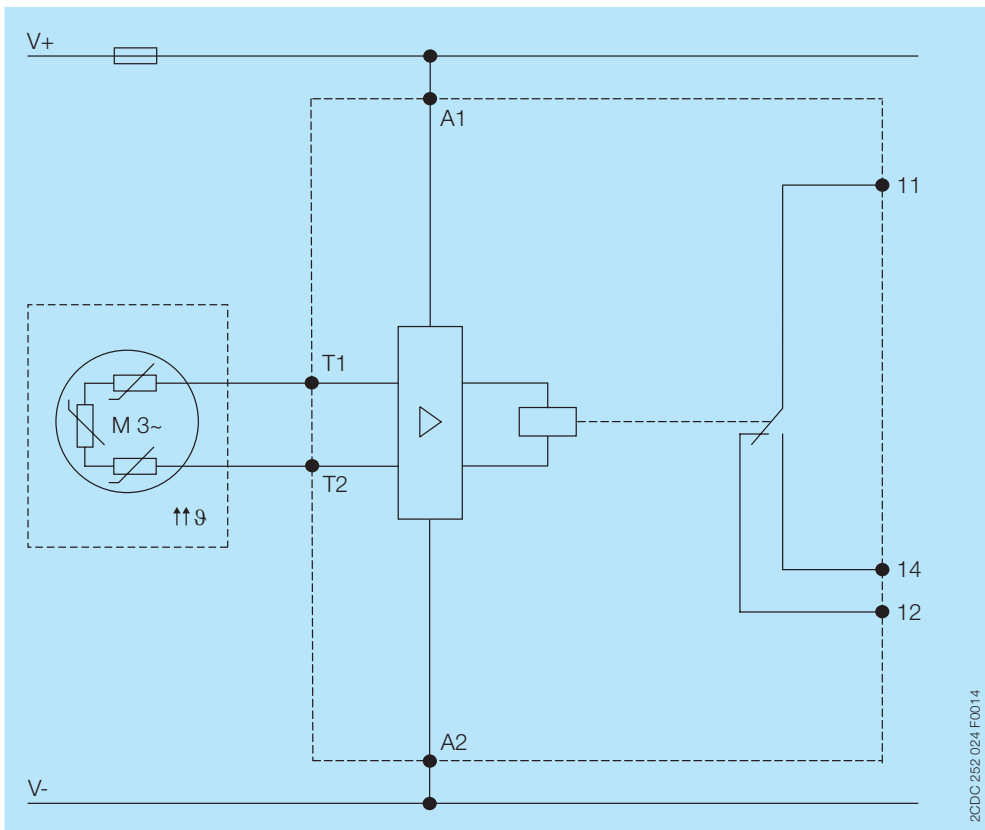
Function diagram



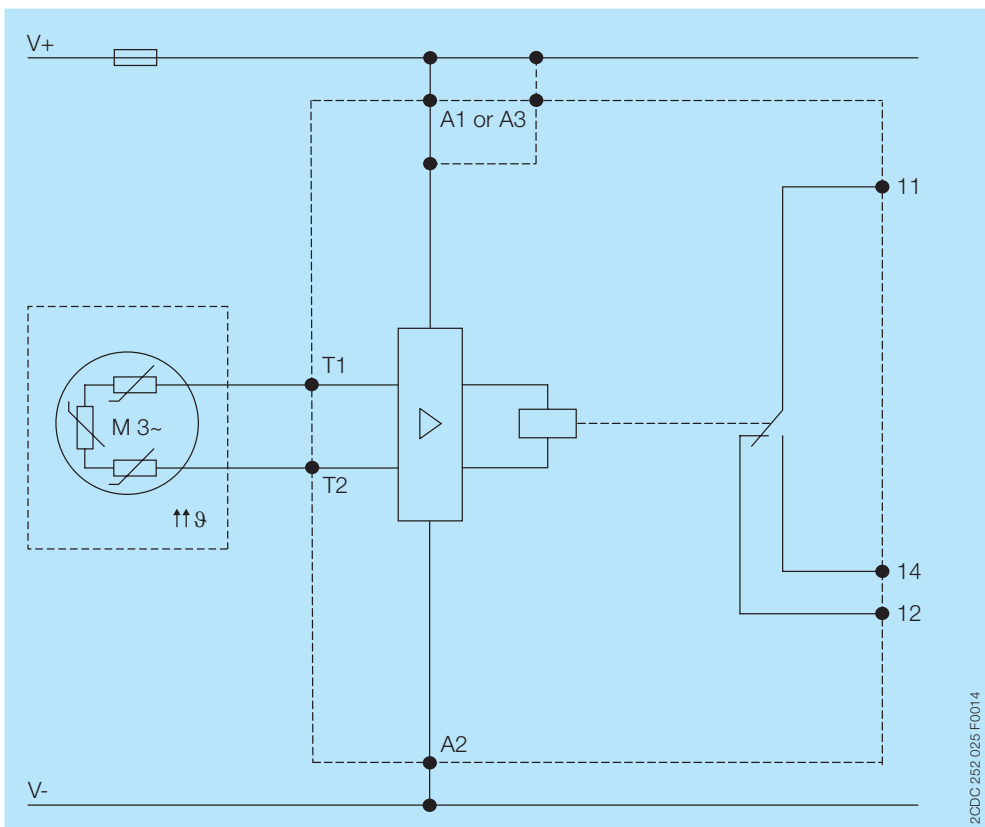
CM-MSS.12, CM-MSS.13

Example of application

Circuit diagrams



CM-MSS.12



CM-MSS.13

Technical data

Data at $T_a = 25\text{ °C}$ and rated values, unless otherwise indicated

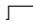

Input circuit

Supply circuit		CM-MSS.12	CM-MSS.13
Rated control supply voltage U_s	A1-A2	24V AC/DC	220-240 V AC
	A2-A3	-	110-130 V AC
Rated control supply voltage U_s tolerance		-15...+10 %	
Rated frequency		50-60 Hz	
Typical current / power consumption	24 V AC/DC	33 mA / 0.55 VA	-
	110-130 V AC	-	24 mA / 3 VA
	220-240 V AC	-	10 mA / 2.2 VA
Electrical insulation between supply circuit and measuring circuit		no	yes
Power failure buffering time		20 ms	

Measuring circuit / Sensor circuit		T1-T2
Number of sensor circuits		1
Sensor type		PTC type A (DIN/EN 44081, DIN/EN 44082)
Max. total resistance of sensors connected in series, cold state		< 750 Ω
Overtemperature monitoring	switch-off resistance (relay de-energizes)	2.7 k Ω \pm 5 %
	switch-on resistance (relay energizes)	1.2 k Ω \pm 5 %
Maximum voltage in sensor circuit	1.33 kOhm	2.5 V
	4 kOhm	3.7 V
	∞ kOhm	5.5 V
Maximum current in sensor circuit		3.7 mA
Maximum sensor cable length		2 x 100 m at 0.75 mm ² , 2 x 400 m at 2.5 mm ²
Accuracy within the rated control supply voltage tolerance		5 %
Accuracy within the temperature range		0.5 %/K
Repeat accuracy (constant parameters)		on request
Reaction time of the safety function		<100 ms
Hardware fault tolerance (HFT)		-

Control circuit		
Control function	auto reset	yes
Maximum no-load voltage		5.5 V
Max. current		1.2 mA
Maximum cable length		2 x 100 m at 0.75 mm ² , 2 x 400 m at 2.5 mm ²

User interface

Indication of operational states		
Control supply voltage	U: green LED	 : control supply voltage applied
Fault message	F: red LED	 : overtemperature

Output circuit

Kind of output	11-12/14	relay, 1 c/o (SPDT) contact
Operating principle		closed-circuit principle
Contact material		AgNi alloy, Cd free
Minimum switching voltage / Minimum switching current		24 V / 10 mA
Maximum switching voltage / Maximum switching current		see "Load limit curves" on page 10
Rated operational voltage U_e and rated operational current I_e	AC-12 (resistive) at 230 V	4 A
	AC-15 (inductive) at 230 V	3 A
	DC-12 (resistive) at 24 V	4 A
	DC-13 (inductive) at 24 V	2 A
AC Rating (UL 508)	utilization category (Control Circuit Rating Code)	B 300
	maximum rated operational voltage	300 V AC
	maximum continuous thermal current at B 300	5 A
	maximum making/breaking apparent power at B 300	3600/360 VA
	general purpose rating	250 V AC - 4 A
Mechanical lifetime		30 x 10 ⁶ switching cycles
Electrical lifetime	at AC-12, 230 V AC, 4 A	0.1 x 10 ⁶ switching cycles
Maximum fuse rating to achieve short-circuit protection	n/c contact	6 A fast-acting
	n/o contact	10 A fast-acting

General data

MTBF		on request	
Duty cycle		100 %	
Dimensions		see "Dimensional drawing"	
Weight, net		Screw connection technology	Easy Connect Technology (push-in)
	CM-MSS.12	0.113 kg	0.105 kg
	CM-MSS.13	0.155 kg	0.147 kg
Mounting		DIN rail (IEC/EN 60715), snap-on mounting without any tool	
Mounting position		any	
Minimum distance to other units		10 mm (0.39 in) if switching current > 2 A	
		10 mm (0.39 in) if switching current > 2 A	
Material of housing		UL 94 V-0	
Degree of protection	housing	IP50	
	terminals	IP20	

Electrical connection

		Screw connection technology	Easy Connect Technology (push-in)
Connecting capacity	fine-strand with(out) wire end ferrule	1 x 0.5-2.5 mm ² (1 x 18-14 AWG)	2 x 0.5-1.5 mm ² (2 x 18-16 AWG)
		2 x 0.5-1.5 mm ² (2 x 18-16 AWG)	
	rigid	1 x 0.5-4 mm ² (1 x 20-12 AWG)	2 x 0.5-1.5 mm ² (2 x 20-16 AWG)
		2 x 0.5-2.5 mm ² (2 x 20-14 AWG)	
Stripping length		8 mm (0.32 in)	
Tightening torque		0.6-0.8 Nm (7.08 lb.in)	-
Recommended screw driver		DIN ISO 2380-1: Form A / 0.8x4.0 mm DIN ISO 8764-1: PZ 1 / Ø 4.5 mm	-

Environmental data

Ambient temperature ranges	operation	-25...+60 °C (-13...+140 °F)
	storage	-40...+85 °C (-40...+185 °F)
Damp heat, cyclic (IEC/EN 60068-2-30)		6 x 24 h cycle, 55 °C, 95 % RH
Climatic class (IEC/EN 60721-3-3)		3K5 (no condensation, no ice formation)
Vibration, sinusoidal		5-13.2 Hz: ±1 mm; 13.2-100 Hz: 0.7 g
Shock		10 g / 11 ms

Isolation data

		CM-MSS.12	CM-MSS.13
Rated insulation voltage U_i	Supply circuit / Measuring circuit ¹⁾	n/a	300 V AC
	Supply circuit / Output circuits	300 V AC	
	Measuring circuit ¹⁾ / Output circuits	300 V AC	
	Output circuit 1 / Output circuit 2	n/a	
Rated impulse withstand voltage U_{imp}	Supply circuit / Measuring circuit ¹⁾	n/a	4 kV
	Supply circuit / Output circuits	4 kV	
	Measuring circuit ¹⁾ / Output circuits	4 kV	
	Output circuit 1 / Output circuit 2	n/a	
Basic insulation	Supply circuit / Measuring circuit ¹⁾	n/a	600 V AC
	Supply circuit / Output circuits	600 V AC	
	Measuring circuit ¹⁾ / Output circuits	600 V AC	
	Output circuit 1 / Output circuit 2	n/a	
Protective separation (IEC/EN 61140, EN 50178)	Supply circuit / Measuring circuit ¹⁾	no	yes, up to 300 V
	Supply circuit / Output circuits	yes	
	Measuring circuit ¹⁾ / Output circuits	yes	
	Output circuit 1 / Output circuit 2	n/a	
Pollution degree		3	
Overvoltage category		III	

¹⁾ Potential of measuring circuit = Potential of control circuit

Standards / Directives

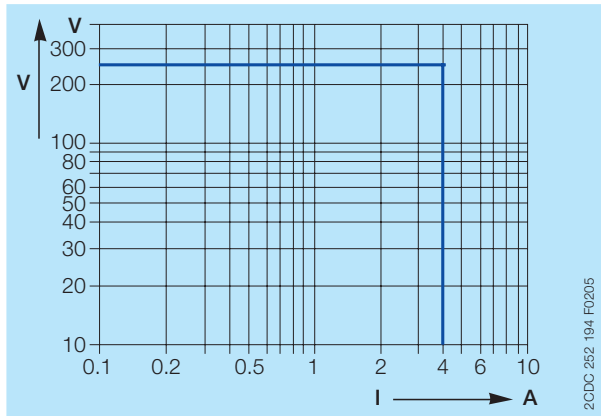
Standards	IEC/EN 60947-5-1, IEC/EN 60947-8
Low Voltage Directive	2014/35/EU
EMC Directive	2014/30/EU
RoHS Directive	2011/65/EU

Electromagnetic compatibility

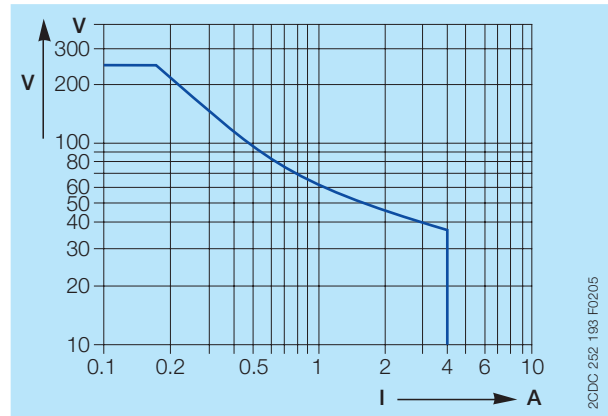
Interference immunity to		IEC/EN 61000-6-2, IEC/EN 60947-8
electrostatic discharge	IEC/EN 61000-4-2	Level 3, 6 kV contact discharge, 8 kV air discharge
radiated, radio-frequency, electromagnetic field	IEC/EN 61000-4-3	Level 3, 10 V/m (1 GHz), 3 V/m (2 GHz), 1 V/m (2.7 GHz)
electrical fast transient / burst	IEC/EN 61000-4-4	Level 3, 2 kV / 5 kHz
surge	IEC/EN 61000-4-5	Level 3, Installation class 3, supply circuit and measuring circuit 1 kV L-L, 2 kV L-N
conducted disturbances, induced by radio-frequency fields	IEC/EN 61000-4-6	Level 3, 0.15-80 MHz, 10 V, 80 % AM (1kHz)
voltage dips, short interruptions and voltage variations	IEC/EN 61000-4-11	Class 3
harmonics and interharmonics	IEC/EN 61000-4-13	Class 3
Additional interference immunity according to product standard EN 60255-1 (reference on EN 60255-26)		
radiated, radio-frequency, electromagnetic field	IEC/EN 61000-4-3	10 V/m (80 MHz - 3 GHz)
conducted disturbances, induced by radio-frequency fields	IEC/EN 61000-4-6	10 V at stated frequencies
damped oscillatory waves	IEC/EN 61000-4-18	Signal lines, symmetric coupling: 1 kV peak voltage Power supply, asymmetric coupling: 2.5 kV peak voltage,
Interference emissions		IEC/EN 61000-6-3
high-frequency radiated	IEC/CISPR 22, EN 55022	Class B
high-frequency conducted	IEC/CISPR 22, EN 55022	Class B
high-frequency radiated	Germanischer Lloyd	increased requirements in the emergency call frequency band

Technical diagrams

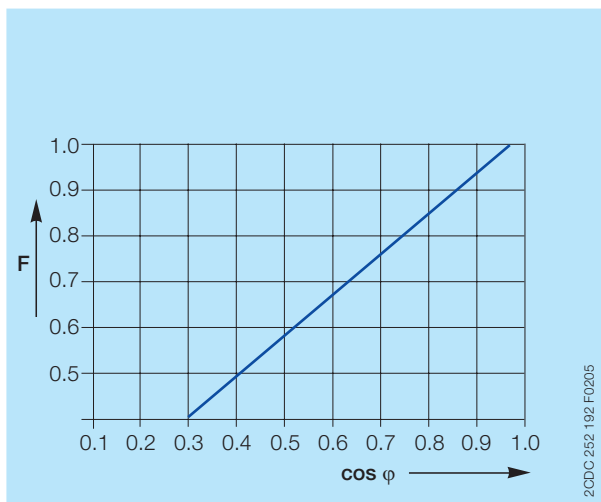
Load limit curves



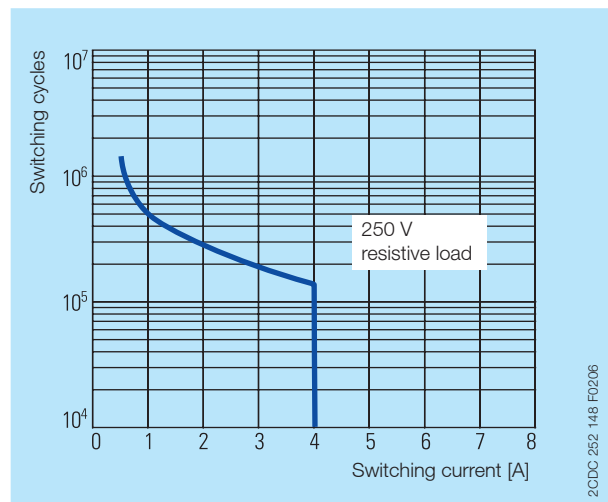
AC load (resistive)



DC load (resistive)



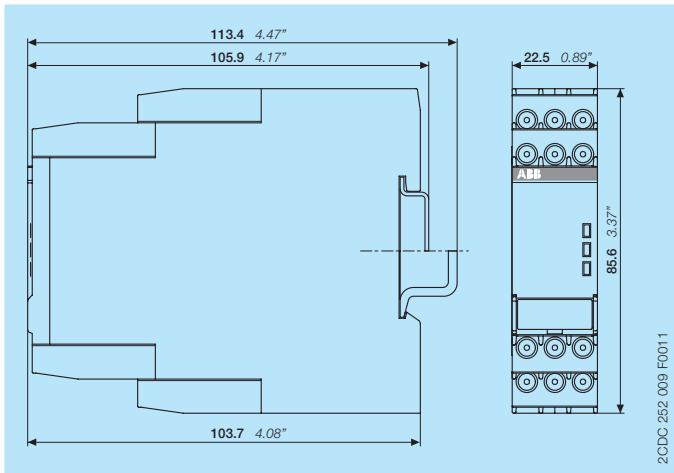
Reduction factor F for inductive AC load



Contact life time / number of operations N
220 V 50 Hz 1 AC, 360 operations/h

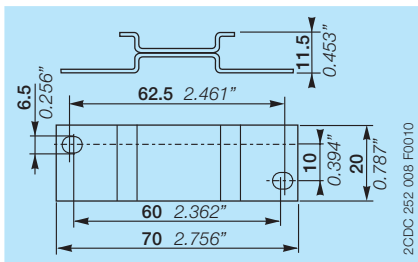
Dimensions

in mm and inches

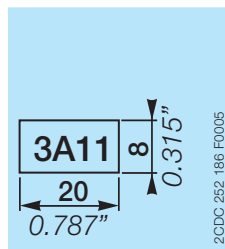


Accessories

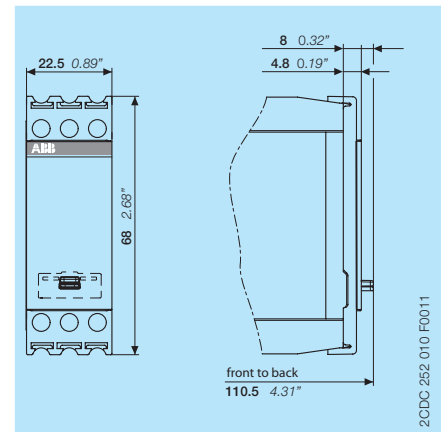
in mm and inches



ADP.01 - Adapter for screw mounting



MAR.01 - Marker label for devices without DIP switches



COV.11 - Sealable transparent cover

Further documentation

Document title	Document type	Document number
Electronic relays and controls	Catalog	2CDC 110 004 C02xx
Operating and installation instructions CM-MSS.12, CM-MSS.13, CM-MSS.22, CM-MSS.23	Instruction manual	1SVC 730 630 M0000

You can find the documentation on the internet at www.abb.com/lowvoltage

-> Automation, control and protection -> Electronic relays and controls -> Measuring and monitoring relays

CAD system files

You can find the CAD files for CAD systems at <http://abb-control-products.partcommunity.com>

-> Low Voltage Products & Systems -> Control Products -> Electronic Relays and Controls

Contact us

ABB STOTZ-KONTAKT GmbH

P. O. Box 10 16 80
69006 Heidelberg, Germany
Phone: +49 (0) 6221 7 01-0
Fax: +49 (0) 6221 7 01-13 25
E-mail: info.desto@de.abb.com

You can find the address of your
local sales organisation on the
ABB home page
<http://www.abb.com/contacts>
-> Low Voltage Products and Systems

Note:

We reserve the right to make technical changes or modify the contents of this document without prior notice. With regard to purchase orders, the agreed particulars shall prevail. ABB AG does not accept any responsibility whatsoever for potential errors or possible lack of information in this document.

We reserve all rights in this document and in the subject matter and illustrations contained therein. Any reproduction, disclosure to third parties or utilization of its contents – in whole or in parts – is forbidden without prior written consent of ABB AG.

Copyright© 2018 ABB
All rights reserved

X-ON Electronics

Largest Supplier of Electrical and Electronic Components

Click to view similar products for [Industrial Relays](#) category:

Click to view products by [ABB](#) manufacturer:

Other Similar products are found below :

[6-1617801-8](#) [6-1618107-9](#) [7-1618273-3](#) [EV250-4A-02](#) [EV250-6A-01](#) [FCA-125-CX8](#) [FCA-325-159](#) [FCA-410-138](#) [GCA63A220VAC60HZ](#)
[GCA63A600VAC60HZ](#) [1-1672275-3](#) [1-1833005-4](#) [H-16/S1](#) [H-8C](#) [ACC530U20](#) [RF303ZM4-12](#) [DH18DA](#) [RM699BV-3011-85-1005](#) [AR4-](#)
[15F13-C01](#) [AR7-41F11](#) [AVR907](#) [15732A200](#) [B329](#) [B490A](#) [1618279-1](#) [BHR124Y](#) [N417](#) [2071229-4](#) [2-1618105-9](#) [2-1618396-6](#) [2-](#)
[1618398-1](#) [JMAPD-5XL](#) [JMGACD-5M](#) [JMGSCD-5L](#) [KA-3C-12A](#) [2307497](#) [RT334012WG](#) [301-17SX](#) [SL6H3-26.5VDC](#) [1618105-2](#)
[1618112-6](#) [1618113-5](#) [1618276-6](#) [A837D](#) [A862B1](#) [ACC530U10](#) [ACC730-8025B](#) [SZ-RW1](#) [SZ-RW4](#) [SZ-T13](#)