



Product Selector

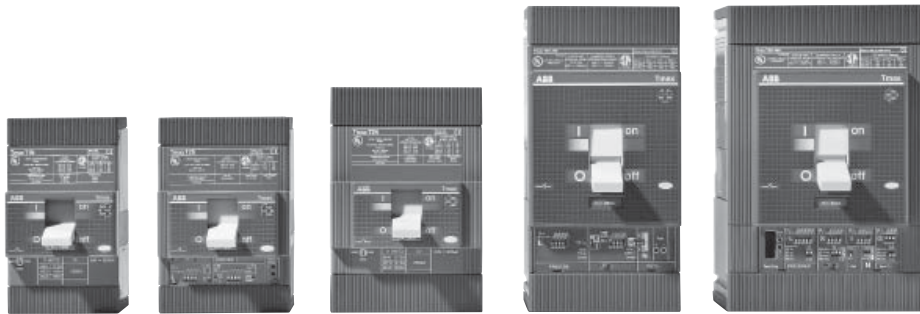
Tmax Molded Case Circuit Breakers

Power and productivity
for a better world™





Molded Case Circuit Breakers Index

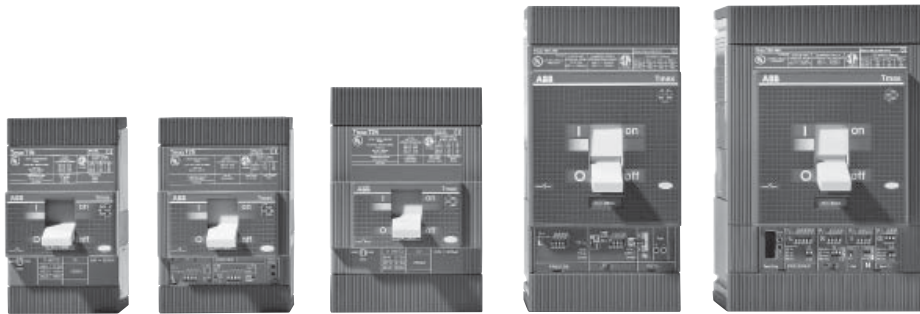


Tmax Molded Case Circuit Breakers

T1...T8 General information.....	1
T1...T8 Selection information.....	2
T1...T8 Catalogue number explanation.....	4
T1 100A	5
T2 100A	7
T3 225A	10
Ts3 225A.....	13
T4 250A	17
T5 400A / 600A.....	23
T6 600A / 800A.....	28
T7-T7M 1000A /1200A	31
T8V 1600A / 2000A / 2500A / 3000A.....	41
T1...T6 Accessories	47
T1...T2 Dimensions.....	61
T3 Dimensions.....	62
Ts3 Dimensions	63
T4 Dimensions.....	64
T5 Dimensions.....	65
T6 Dimensions.....	66
T7 Dimensions.....	67
T8 Dimensions.....	68
T1...T7 Variable depth handle dimensions.....	71



Molded Case Circuit Breakers Index



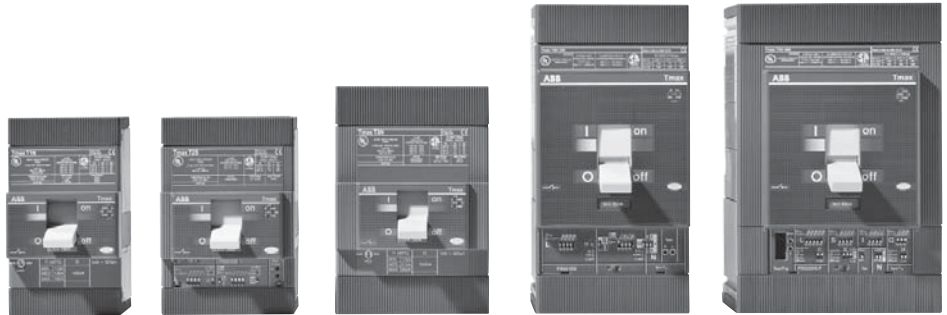
Tmax Molded Case Circuit Breakers

T1...T8 General information.....	1
T1...T8 Selection information.....	2
T1...T8 Catalogue number explanation.....	4
T1 100A	5
T2 100A	7
T3 225A	10
Ts3 225A.....	13
T4 250A	17
T5 400A / 600A.....	23
T6 600A / 800A.....	28
T7-T7M 1000A /1200A	31
T8V 1600A / 2000A / 2500A / 3000A.....	41
T1...T6 Accessories	47
T1...T2 Dimensions.....	61
T3 Dimensions.....	62
Ts3 Dimensions	63
T4 Dimensions.....	64
T5 Dimensions.....	65
T6 Dimensions.....	66
T7 Dimensions.....	67
T8 Dimensions.....	68
T1...T7 Variable depth handle dimensions.....	71

Tmax Molded case circuit breakers



Tmax Molded Case Circuit Breakers



Introduction

ABB is once again demonstrating its commitment to new product development and its superiority in product technology. Never before has the industry seen such high performance, versatility and standardization in a range of molded case circuit breakers.

The ABB Tmax line of circuit breakers, with a range up to 3000A, has several key features that go along with its very small size:

- Double insulation – this construction characteristic allows for the CSA/UL listed field installation of internal accessories without exposure to energized parts
- Complete range of electrical and mechanical accessories
- Positive operation – breakers from ABB ensure that the toggle indicates the precise position of the moving contacts. This guarantees safe and reliable signaling by the device
- Installation – Tmax molded case circuit breakers can be installed in panels and switchboards in either the horizontal or vertical planes while being fed from either end without any derating of their performance characteristics
- Interrupting ratings at 600VAC up to 100kAIC
- Compact size
- All Tmax molded case circuit breakers are CSA-UL listed and IEC rated for global application and acceptance

- All versions of the Tmax family are suitable for reverse feed applications

The ABB Tmax series includes eight basic frame sizes as well as the T1 single pole with the range rated from 15A to 3000A at 600VAC.

Frame Sizes – Eight Basic Sizes

The ABB Tmax series includes eight basic frame sizes as well as the T1 single pole with the range rated from 15A to 3000A at 600VAC. The various versions carry the following interrupting capacities:

- **B** Basic breaking capacity
- **N** Normal breaking capacity
- **S** Standard breaking capacity
- **H** High breaking capacity
- **L** Extra high breaking capacity
- **V** Very high breaking capacity

Derived Versions

- Thermal magnetic
- Electronic
- Molded case switches
- Motor circuit protectors (MCPs)
- Direct current (DC) rated

ABB Tmax Versions

- Fixed: all models
- Drawout or plug-in: T2, T3, Ts3, T4, T5, T6 and T7
- UL File #E93565 (breakers and MCPs)
#E116596 (Accessories)
#E116595 (Molded case switches)
- CSA file #LR54280

Selection Guide

Circuit Breakers for Power Distribution

T1 – Ts3



T1 1P



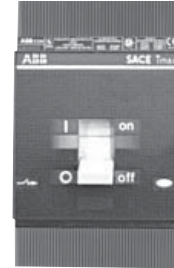
T1



T2



T3



Ts3

Type		Tmax T1 1p	Tmax T1	Tmax T2	Tmax T3	Tmax Ts3	Tmax Ts3	
Frame size	[A]	100	100	100	225	150	225	
Number of poles	[Nr]	1	3-4	3-4	3-4	2-3-4	2-3-4	
Rated voltage	AC (50-60Hz)	347	600Y/347	480	600Y/347	600	480	
	DC		500		500	600	500	
Interrupting ratings		B	N	S H	N S	N H L	N H L	
	240V AC	[kA rms]	50 ⁽²⁾	65 100	50 65	65 100 150	65 100 150	
	277V AC	[kA rms]	18 (1)					
	347V AC	[kA rms]	14 (1)					
	480V AC	[kA rms]		22 ⁽²⁾	35 65	25 35	25 50 85 ⁽³⁾	25 50 65
	600Y/347V AC	[kA rms]		10		10 10		
	600V AC	[kA rms]					14 14 25	
	250V DC (2 poles in series)	[kA rms]		25		25 35		
	500V DC (3 poles in series)	[kA rms]		25		25 35		
	500V DC (2 poles in series)	[kA rms]					35 50 65	20 35 50
600V DC (3 poles in series)	[kA rms]					20 35 50		
Trip units	TMF	•	•	•	•	•	•	
	TMD/TMA							
	MA			•	•	•	•	
	Electronic			•				
Dimensions	H	[in/mm]	5.12/130	5.12/130	5.12/130	5.9/150	6.7/170	6.7/170
	W 3p	[in/mm]	1/25.4	3/76	3.54/90	4.13/105	4.13/105	4.13/105
	D	[in/mm]	2.76/70	2.76/70	2.76/70	2.76/70	4.07/103.5	4.07/103.5
Mechanical life	[No. operations]	25000	25000	25000	25000	25000	25000	

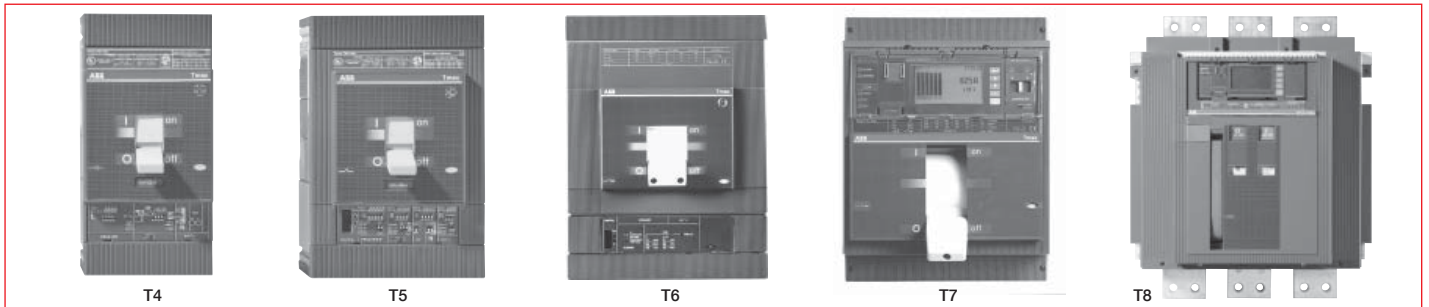
(1) In15A = 10kA@277VAC 10kA@347VAC
 (2) In15A = 35kA@240VAC 14kA@480Y/277 VAC
 (3) In from 15A up to 30A=65kA@480V AC

Selection Guide

Circuit Breakers for Power Distribution

T4 – T8

Tmax



Type		Tmax T4					Tmax T5					Tmax T6				Tmax T7			Insulated Case T8	
Frame size	[A]	250					400-600 ⁽³⁾					800				1000-1200			1600, 2000, 2500 & 3000	
Number of poles	[Nr]	2-3-4 ⁽⁴⁾					2-3-4 ⁽⁴⁾					3-4				3-4			3	
Rated voltage	AC (50-60Hz)	600					600					600				600			600	
	DC	600					600					600				600			T8	
Interrupting ratings		N	S	H	L	V	N	S	H	L	V	N	S	H	L	S	H	L	T8V	
	240V AC	[kA rms]	65	100	150	200	200	65	100	150	200	200	65	100	200	200	65	100	150	125
	277V AC	[kA rms]																		
	347V AC	[kA rms]																		
	480V AC	[kA rms]	25	35	65	100	150	25	35	65	100	150	35	50	65	100	50	65	100	125
	600Y/347V AC	[kA rms]																		
	600V AC	[kA rms]	18	25	35	65	100	18	25	35	65	100	20	25	35	42	25	50	65	100
	250V DC (2 poles in series)	[kA rms]																		
500V DC (3 poles in series)	[kA rms]																			
500V DC (2 poles in series)	[kA rms]	25	35	50	65	100	25	35	50	65	100	35	35	50	65					
600V DC (3 poles in series)	[kA rms]	16	25	35	50	65	16	25	35	50	65	20	20	35	50					
Trip units	TMF	•																		
	TMD/TMA	•					•					•								
	MA																			
	Electronic	•					•					•				•			•	
Dimensions	H	[in/mm]	8.07/205					8.07/205					10.55/268				10.55/268			15 / 382
	W 3p	[in/mm]	4.13/105					5.51/140					8.26/210				8.26/210			16.8 / 427
	D	[in/mm]	4.07/103.5					4.07/103.5					4.07/103.5				6.06/154 (toggle) 7/178 (motor)			11.2 / 282
Mechanical life	[No. operations]	20,000					20,000					20,000				10,000			15,000	

(3) T5 600 with electronic trip units only and in three pole version-

(4) 2 pole T4N250 and T5N400 available only in N interrupting capacity.

General Information

Catalog Number Explanation

T3 S 080 T W - 4 xxx

Accessories (Added In Alpha-Numeric Order) ⁽¹⁾

A = Auxiliary Switch
 S_ = Shunt trip with voltage code
 U_ = Undervoltage release with voltage code

Number Of Poles

-1 = 1 pole (T1 only)
 -2 = 2 pole
 -4 = 4 pole
 None = 3 pole

Type Connectors

W = None
 L = Lugs on top/bottom terminals
 T = Lugs on top terminal
 B = Lugs on bottom terminal

Trip Unit Function

B = LS/I (AC only)
 D = Molded Case Switch (MCS)
 T = Thermal-magnetic
 M = Magnetic only (MCP)
 E5 = Electronic MCP (AC only)
 C = LSI (AC only)
 E = LSIG (AC only)
 P = PR332/P LI
 R = PR332/P LSI
 S = PR332/P LSIG

Current Rating

015 = 15A	16 = 1600A
080 = 80A	20 = 2000A
100 = 100A	25 = 2500A
225 = 225A	30 = 3000A
250 = 250A	
400 = 400A	
600 = 600A	
800 = 800A	
1000 = 1000A	
1200 = 1200A	

Interrupting Rating Class

B = Basic
 N = Normal
 S = Standard
 H = High
 L = Extra High
 V = Very high

Frame Size

T1 = 100A	T8 ⁽³⁾ = 1600A
T2 = 100A	= 2000A
T3 = 225A	= 2500A
Ts3 = 225A	= 3000A
T4 = 250A	
T5 = 400A, 600A	
T6 = 600A, 800A	
T7 ⁽²⁾ = 1000A, 1200A	



(1) Consult ABB for factory installed accessories.

(2) For T7, refer to page 40

(3) For T8, refer to page 46

T1

100A, 600Y/347VAC, 480VAC Δ

Thermal-Magnetic

T1



T1

Dimensions 3P Fixed Version 5.12H x 3.00W x 2.76D
Weight 2.34 (lbs)

General

The T1 breaker family ranges from 15 through 100 amperes. The T1 trip units are non-interchangeable and use the very latest technology in electromagnetic relays for overcurrent trip protection. Thermal overload protection is provided by heat sensitive bimetals. Short-circuit protection for the breaker is accomplished using a precise magnetic coil. State of the art construction in contacts and arcing chambers aid in limiting damaging fault currents through the protected circuits.

Standards

The UL489/CSA C22.2 No. 5 version of T1 also carries an IEC-60947-2 rating.

Versions

The T1 frame is available in two versions:

- T = Thermal-magnetic, fixed
- D = Molded case switch

Performance Levels

The T1 breaker has two performance levels available:

- B = Basic (Single Pole)
- N = Normal (3 or 4 pole)

Number of Poles

The UL/CSA version of the T1 is available in single, three and four pole versions. IEC versions of the T1 are also available with the same dimensions up to 160 amperes. Please contact ABB for details.

Reverse Feeding

All versions of the T1 family are suitable for reverse feed applications.

Molded Case Switches

UL/CSA switches include no overcurrent protection except for a high instantaneous trip mechanism for self protection.

UL489 / CSA C22.2 Interrupting Capacity (kA RMS)

Voltage	Continuous Rating	B (1-Pole)	N
240VAC	15	—	35
	20 – 100	—	50
277VAC	15	10	—
	20 – 100	18	—
347VAC	15	10	—
	20 – 100	14	—
480Y/277VAC	15	—	14
480VAC	20 – 100	—	22
600Y/347VAC	15 – 100	—	10
250VDC 2 pole series	15 – 100A	—	25
500VDC 3 pole series	15 – 100A	—	25

IEC 60947-2 Interrupting Capacity (kA RMS)

Voltage	Continuous Rating	B (1-Pole)	N
230VAC	16 – 160A	25	50
415VAC	16 – 160A	—	36
440VAC	16 – 160A	—	22
500VAC	16 – 160A	—	15
690VAC	16 – 160A	—	6
250VDC 2 pole series	16 – 160A	—	36
500VDC 2 pole series	16 – 160A	—	36

T1

T1

600Y/347VAC, 480VAC Δ

Thermal-Magnetic/Molded Case Switch

T1-100A Frame, Thermal-Magnetic Trip Unit Fixed, 1 pole

Breaker	IC at 347VAC	Rating	Magnetic Trip	1-Pole, 347VAC Part Number	List Price
T1B	10kA	15A	1000A	T1B015TL-1	
		14kA	20A	1000A	
	25A		1000A	T1B025TL-1	
	30A		1000A	T1B030TL-1	
	40A		1000A	T1B040TL-1	
	50A		1500A	T1B050TL-1	
	60A		1500A	T1B060TL-1	
	70A		1500A	T1B070TL-1	
	80A		1500A	T1B080TL-1	
	90A	1500A	T1B090TL-1		
	100A	1500A	T1B100TL-1		

T1-100A Frame, Thermal-Magnetic Trip Unit Fixed

Breaker	IC at 480VAC	Rating	Magnetic Trip	3-Pole, 600Y/347VAC/500VDC Part Number	List Price	4-Pole, 600Y/347VAC/500VDC Part Number	List Price
T1N	14kA	15A	1000A	T1N015TL		T1N015TL-4	
		22kA	20A	1000A	T1N020TL		T1N020TL-4
	25A		1000A	T1N025TL		T1N025TL-4	
	30A		1000A	T1N030TL		T1N030TL-4	
	40A		1000A	T1N040TL		T1N040TL-4	
	50A		1500A	T1N050TL		T1N050TL-4	
	60A		1500A	T1N060TL		T1N060TL-4	
	70A		1500A	T1N070TL		T1N070TL-4	
	80A		1500A	T1N080TL		T1N080TL-4	
	90A	1500A	T1N090TL		T1N090TL-4		
	100A	1500A	T1N100TL		T1N100TL-4		

T-100A Frame, 100% Rated Thermal-Magnetic Trip Unit Fixed

Breaker	IC at 480VAC	Rating	Magnetic Trip	3-Pole, 600Y/347VAC/500VDC Part Number	List Price
T1NQ	14kA	15 ⁽¹⁾	1000A	T1NQ015TL	
		22kA	20	1000A	T1NQ020TL
	25		1000A	T1NQ025TL	
	30		1000A	T1NQ030TL	
	40		1000A	T1NQ040TL	
	50		1500A	T1NQ050TL	
	60		1500A	T1NQ060TL	
	70		1500A	T1NQ070TL	
	80		1500A	T1NQ080TL	
	90	1500A	T1NQ090TL		
	100	1500A	T1NQ100TL		

T1-100A Frame, Molded Case Switch

Breaker	Interrupting Capacity ⁽²⁾	Rating	Magnetic Trip	3-Pole, 600Y/347V/500VDC Part Number	List Price	4-Pole, 600Y/347V/500VDC Part Number	List Price
T1-D	240V, 50kA	100A	1000A	T1N100DL		T1N100DL-4	

1 Rated 480Y/277VAC for 15A.

2 When protected by a OCPD with appropriate ratings.

T2

100A, 480VAC Δ

Thermal-Magnetic/Electronic/Current Limiting

T2



T2

Dimensions 3P Fixed Version 5.12H x 3.54W x 2.76D
Weight 2.84 (lbs)

General

The T2 breaker family ranges from 10 through 100 amperes. The T2 trip units are non-interchangeable and use the very latest technology in electromagnetic relays for overcurrent trip protection as well as a version with microprocessor-based electronic trip unit. Thermal overload protection is provided by heat sensitive bimetals. State of the art construction in contacts and arcing chambers aid in limiting damaging fault currents through the protected circuits.

Standards

The UL489/CSA C22.2 No. 5 version of T2 also carries an IEC-60947-2 rating.

Versions

The T2 frame is available in four versions:

- T = Thermal-magnetic, fixed
- B = Adjustable LS/I electronic
- M = Magnetic only (MCP)
- E5 = Electronic instantaneous only (MCP)

Trip Functions

These tripping functions are available:

- L = Long time
- S = Short time
- I = Instantaneous

Performance Levels

The T2 breaker has two performance levels available:

- S = Standard
- H = High - UL Current Limiting

Number of Poles

The UL/CSA version of the T2 is available in three and four pole versions. IEC versions of the T2 are also available with the same dimensions up to 160 amperes. Please contact ABB for details.

Reverse Feeding

All versions of the T2 family are suitable for reverse feed applications.

UL489 / CSA C22.2 Interrupting Capacity (kA RMS)

Voltage	Continuous Rating	S	H
240VAC	10 – 100A	65	150
480VAC Δ	10 – 100A	35	65

IEC 60947-2 Interrupting Capacity (kA RMS)

Voltage	Continuous Rating	S	H
230VAC	1.6 – 160A	85	100
415VAC	1.6 – 160A	50	70
440V	1.6 – 160A	45	55
500V	1.6 – 160A	30	36
690VAC	1.6 – 160A	7	8
250VDC 2 pole series	1.6 – 160A	50	70
500VDC 3 pole series	1.6 – 160A	50	70

T2

T2 100A, 480VAC Δ Thermal-Magnetic/Current Limiting

T2-100A Frame, Thermal-Magnetic Trip Unit Fixed

Breaker	IC at 480VAC	Rating	Magnetic Trip	3-Pole, 480VAC Part Number	List Price	4-Pole, 480VAC Part Number	List Price
T2S	35kA	15A	500A	T2S015TW		T2S015TW-4	
		20A	500A	T2S020TW		T2S020TW-4	
		25A	500A	T2S025TW		T2S025TW-4	
		30A	500A	T2S030TW		T2S030TW-4	
		40A	500A	T2S040TW		T2S040TW-4	
		50A	500A	T2S050TW		T2S050TW-4	
		60A	600A	T2S060TW		T2S060TW-4	
		70A	700A	T2S070TW		T2S070TW-4	
		80A	800A	T2S080TW		T2S080TW-4	
		90A	900A	T2S090TW		T2S090TW-4	
		100A	1000A	T2S100TW		T2S100TW-4	

Breaker	IC at 480VAC	Rating	Magnetic Trip	3-Pole, 480VAC Part Number	List Price	4-Pole, 480VAC Part Number	List Price
T2H UL Current Limiting	65kA	15A	500A	T2H015TW		T2H015TW-4	
		20A	500A	T2H020TW		T2H020TW-4	
		25A	500A	T2H025TW		T2H025TW-4	
		30A	500A	T2H030TW		T2H030TW-4	
		40A	500A	T2H040TW		T2H040TW-4	
		50A	500A	T2H050TW		T2H050TW-4	
		60A	600A	T2H060TW		T2H060TW-4	
		70A	700A	T2H070TW		T2H070TW-4	
		80A	800A	T2H080TW		T2H080TW-4	
		90A	900A	T2H090TW		T2H090TW-4	
		100A	1000A	T2H100TW		T2H100TW-4	

T2-100A Frame, 100% Rated Thermal-Magnetic Trip Unit Fixed

Breaker	IC at 480VAC	Rating	Magnetic Trip	3-Pole, 480VAC Part Number	List Price
T2SQ	35kA	15A	500A	T2SQ015TW	
		20A	500A	T2SQ020TW	
		25A	500A	T2SQ025TW	
		30A	500A	T2SQ030TW	
		40A	500A	T2SQ040TW	
		50A	500A	T2SQ050TW	
		60A	600A	T2SQ060TW	
		70A	700A	T2SQ070TW	
		80A	800A	T2SQ080TW	
		90A	900A	T2SQ090TW	
		100A	1000A	T2SQ100TW	

Breaker	IC at 480VAC	Rating	Magnetic Trip	3-Pole, 480VAC Part Number	List Price
T2HQ UL Current Limiting	65kA	15A	500A	T2HQ015TW	
		20A	500A	T2HQ020TW	
		25A	500A	T2HQ025TW	
		30A	500A	T2HQ030TW	
		40A	500A	T2HQ040TW	
		50A	500A	T2HQ050TW	
		60A	600A	T2HQ060TW	
		70A	700A	T2HQ070TW	
		80A	800A	T2HQ080TW	
		90A	900A	T2HQ090TW	
		100A	1000A	T2HQ100TW	

T2

100A, 480VAC Δ

Electronic/Current Limiting, 100% Rated, MCP

T2

T2-100A Frame, Electronic Trip Unit (AC Only)

Breaker	IC at 480VAC	Trip Unit Type	CT Rating	3-Pole, 480VAC Part Number	List Price	4-Pole, 480VAC Part Number	List Price
T2S	35kA	PR221DS-LS/I	25A 60A 100A	T2S025BW T2S060BW T2S100BW		T2S025BW-4 T2S060BW-4 T2S100BW-4	
T2H UL Current Limiting	65kA	PR221DS-LS/I	25A 60A 100A	T2H025BW T2H060BW T2H100BW		T2H025BW-4 T2H060BW-4 T2H100BW-4	

T2-100A Frame, 100% Rated Electronic Trip Unit (AC Only)

Breaker	IC at 480VAC	Trip Unit Type	CT Rating	3-Pole, 480VAC Part Number	List Price
T2SQ	35kA	PR221DS-LS/I	25A	T2SQ025BW	
			60A	T2SQ060BW	
T2HQ UL Current Limiting	65kA	PR221DS-LS/I	25A	T2HQ025BW	
			60A	T2HQ060BW	
			100A	T2SQ100BW	
			100A	T2HQ100BW	

T2 -100A Frame, Motor Control Protection (MCP) Magnetic Only Trip Unit

Breaker	IC at 480VAC	Trip Unit Type	Rating	Adjustment Range	3-Pole, 480VAC Part Number	List Price
T2S	35kA	Mag only	20A	120 - 240	T2S020MW	
			50A	300 - 600	T2S050MW	
			100A	600 - 1200	T2S100MW	
T2H	65kA	Mag only	20A	120 - 240	T2H020MW	
			50A	300 - 600	T2H050MW	
			100A	600 - 1200	T2H100MW	

T2 -100A Frame, Motor Control Protection (MCP) Magnetic Only Electronic Trip Unit (AC Only)

Breaker	IC at 480VAC	Trip Unit Type	Rating	Adjustment Range	3-Pole, 480VAC Part Number	List Price
T2S	35kA	Instantaneous only	25A	25 - 250	T2S025E5W	
			60A	60 - 600	T2S060E5W	
			100A	100 - 1000	T2S100E5W	
T2H	65kA	Instantaneous only	25A	25 - 250	T2H025E5W	
			60A	60 - 600	T2H060E5W	
			100A	100 - 1000	T2H100E5W	

T3

225A, 600Y/347VAC, 480VAC Δ

Thermal-Magnetic



T3

Dimensions 3P Fixed Version 5.9H x 4.13W x 2.76D
Weight 5.45 (lbs)

General

The T3 breaker family ranges from 60 through 225 amperes. The T3 trip units are non-interchangeable and use the very latest technology in electromagnetic relays for overcurrent trip protection. Thermal overload protection is provided by heat sensitive bimetals. Short-circuit protection begins at 10 times the thermal rating of the breaker using a precise magnetic coil. State of the art construction in contacts and arcing chambers aid in limiting damaging fault currents through the protected circuits.

Standards

The UL489/CSA C22.2 No. 5 version of T3 also carries an IEC-60947-2 rating.

Versions

The T3 frame is available in three versions:

- T = Thermal-magnetic, fixed
- M = Magnetic only (MCP)
- D = Molded case switch

Performance Levels

The T3 breaker has two performance levels available:

- N = Normal
- S = Standard

Number of Poles

The UL/CSA version of the T3 is available in three and four pole versions. IEC versions of the T3 are also available with the same dimensions up to 250 amperes. Please contact ABB for details.

Molded Case Switches

UL/CSA switches include no overcurrent protection except for a high instantaneous trip mechanism for self protection.

Reverse Feeding

All versions of the T3 family are suitable for reverse feed application.

UL489 / CSA C22.2 Interrupting Capacity (kA RMS)

Voltage	Continuous Rating	N	S
240VAC	60 – 225A	50	65
480VAC Δ	60 – 225A	25	35
600Y/347VAC	60 – 225A	10	10
250VDC ⁽¹⁾	60 – 225A	25	35
500VDC ⁽²⁾	60 – 225A	25	35

IEC 60947-2 Interrupting Capacity (kA RMS)

Voltage	Continuous Rating	B (1-Pole)	N
230VAC	63 – 250A	50	85
415VAC	63 – 250A	36	50
440V	63 – 250A	25	40
500V	63 – 250A	20	30
690VAC	63 – 250A	5	8
250VDC ⁽¹⁾	63 – 250A	36	50
500VDC ⁽²⁾	63 – 250A	36	50

(1) 2 poles in series.

(2) 3 poles in series.

T3

225A, 600Y/347VAC, 480VAC Δ

Thermal-Magnetic

T3

T3-225A Frame, Thermal-Magnetic Trip Unit Fixed

Breaker	IC at 480VAC	Rating	Magnetic Trip	3-Pole, 600Y/347VAC-500DC Part Number	List Price	4-Pole, 600Y/347VAC-500DC Part Number	List Price
T3N	25kA	60A	600A	T3N060TW		T3N060TW-4	
		70A	700A	T3N070TW		T3N070TW-4	
		80A	800A	T3N080TW		T3N080TW-4	
		90A	900A	T3N090TW		T3N090TW-4	
		100A	1000A	T3N100TW		T3N100TW-4	
		125A	1250A	T3N125TW		T3N125TW-4	
		150A	1500A	T3N150TW		T3N150TW-4	
		175A	1750A	T3N175TW		T3N175TW-4	
		200A	2000A	T3N200TW		T3N200TW-4	
		225A	2250A	T3N225TW		T3N225TW-4	

Breaker	IC at 480VAC	Rating	Magnetic Trip	3-Pole, 600Y/347VAC-500DC Part Number	List Price	4-Pole, 600Y/347VAC-500DC Part Number	List Price
T3S	35kA	60A	600A	T3S060TW		T3S060TW-4	
		70A	700A	T3S070TW		T3S070TW-4	
		80A	800A	T3S080TW		T3S080TW-4	
		90A	900A	T3S090TW		T3S090TW-4	
		100A	1000A	T3S100TW		T3S100TW-4	
		125A	1250A	T3S125TW		T3S125TW-4	
		150A	1500A	T3S150TW		T3S200TW-4	
		175A	1750A	T3S175TW		T3S175TW-4	
		200A	2000A	T3S200TW		T3S200TW-4	
		225A	2250A	T3S225TW		T3S225TW-4	

T3-225A Frame, 100% Rated Thermal-Magnetic Trip Unit Fixed

Breaker	IC at 480VAC	Rating	Magnetic Trip	3-Pole, 600Y/347VAC-500VDC Part Number	List Price
T3NQ	25kA	60A	600A	T3NQ060TW	
		70A	700A	T3NQ070TW	
		80A	800A	T3NQ080TW	
		90A	900A	T3NQ090TW	
		100A	1000A	T3NQ100TW	
		125A	1250A	T3NQ125TW	
		150A	1500A	T3NQ150TW	
		175A	1750A	T3NQ175TW	
		200A	2000A	T3NQ200TW	
		225A	2250A	T3NQ225TW	

Breaker	IC at 480VAC	Rating	Magnetic Trip	3-Pole, 600Y/347VAC-500VDC Part Number	List Price
T3SQ	35kA	60A	600A	T3SQ060TW	
		70A	700A	T3SQ070TW	
		80A	800A	T3SQ080TW	
		90A	900A	T3SQ090TW	
		100A	1000A	T3SQ100TW	
		125A	1250A	T3SQ125TW	
		150A	1500A	T3SQ150TW	
		175A	1750A	T3SQ175TW	
		200A	2000A	T3SQ200TW	
		225A	2250A	T3SQ225TW	

T3

T3 225A, 600Y/347VAC, 480VAC Δ MCP/Molded Case Switch

T3-225A Frame, Motor Control Protection (MCP) Magnetic Only Trip Unit

Breaker	IC at 480VAC	IC at 600Y/347VAC	IC at 500VDC	Trip Unit Type	Rating	Adjustment Range	3-Pole, 600Y/347VAC-500VDC Part Number	List Price
T3S	35kA	10kA	35kA	Mag only	100A	600 - 1200	T3S100MW	
					125A	750 - 1500	T3S125MW	
					150A	900 - 1800	T3S150MW	
					200A	1200 - 2400	T3S200MW	

T3S-225A Frame, Molded Case Switch

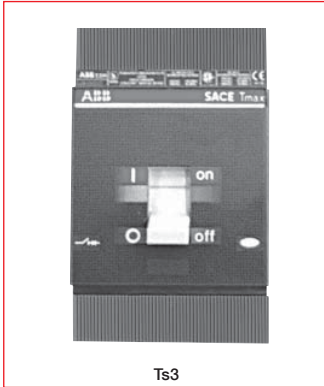
Breaker	Rating	Magnetic Trip	3-Pole, 600Y/347VAC-500VDC Part Number	List Price	4-Pole, 600Y/3 500VDC Part Number	List Price
T3S-D	150A	1500A	T3S150DW		T3S150DW-4	
	225A	2250A	T3S225DW		T3S225DW-4	

Ts3

150A 600VAC Δ / 225A, 480VAC

Thermal-Magnetic

Ts3



Dimensions 3P Fixed Version 6.7H x 4.13W x 4.07D
Weight 6.75 (lbs)

General

The Ts3 breaker family ranges from 15 through 225 amperes. The Ts3 trip mechanisms are non-interchangeable and use sensitive electromagnetic relays for overcurrent trip protection. Heat sensitive bimetals are used for thermal overcurrent protection. Short-circuit current protection begins at 10 times the thermal rating of the breaker and uses a magnetic coil principle.

Standards

The UL489/CSA C22.2 No. 5 version of Ts3 also carries an IEC-60947-2 rating.

Versions

To meet all application needs, the Ts3 is available in various versions:

- T = Thermal-magnetic
- D = Molded case switch
- M = Magnetic only (MCP)

Performance Level

Each version is also available in different maximum fault interrupting levels

- N = Normal
- H = High
- L = Extra high

Number of Poles

In UL/CSA form, the Ts3 is available in two pole or three pole versions, both with the same dimensions. A four-pole version is also available in the N version. For price estimation, add 35% to list price of selected version three pole breaker, contact ABB for details.

Molded Case Switches

UL/CSA switches include no overcurrent protection except for a high instantaneous trip mechanism for self protection. IEC type molded case switches with no trip protection are also available.

Reverse Feeding

All versions of the Ts3 family are suitable for reverse feed application.

UL/CSA Interrupting Capacity (kA RMS) UL489 / CSA C22.2

Voltage	N	H	L
240 VAC	65	100	150
480 VAC	25	50	85 ⁽¹⁾
600 VAC ⁽²⁾	14	14	25
500 VDC ⁽⁴⁾	35	50	65
600 VDC ⁽⁵⁾	20	35	50
Ts3/225A 500VDC ⁽³⁾	20	35	50

IEC-60947-2 Interrupting Capacity (kA RMS)

Voltage	N	H	L
230 VAC	65	100	170
380/400/415VAC	35	65	85
440 VAC	30	50	65
500 VAC	25	40	50
690 VAC	14	18	20
500 VDC	35	50	65
750 VDC	20	35	50

(1) 15-30A and 175-200-225A are 65kA at 480VAC

(2) Ts3 175A, 200A, 225A are rated 480VAC / 500VDC maximum

(3) Ts3 175A, 200A, 225A

(4) 2 poles in series

(5) 3 poles in series

Ts3

Ts3

150A, 600VAC Δ / 225A, 480VAC Δ

Thermal-Magnetic

Ts3-150A Frame, Thermal-Magnetic Trip Unit Fixed

Breaker	IC at 600VAC	Rating	Magnetic Trip	2-Pole, 480VAC/500VDC Part Number	List Price	3-Pole, 600VAC/600VDC Part Number	List Price	4-Pole, 600VAC/600VDC Part Number	List Price
Ts3N	14kA	15A	500A	Ts3N015TW-2		Ts3N015TW		Ts3N015TW-4	
		20A	500A	Ts3N020TW-2		Ts3N020TW		Ts3N020TW-4	
		25A	500A	Ts3N025TW-2		Ts3N025TW		Ts3N025TW-4	
		30A	500A	Ts3N030TW-2		Ts3N030TW		Ts3N030TW-4	
		35A	500A	Ts3N035TW-2		Ts3N035TW		Ts3N035TW-4	
		40A	500A	Ts3N040TW-2		Ts3N040TW		Ts3N040TW-4	
		50A	500A	Ts3N050TW-2		Ts3N050TW		Ts3N050TW-4	
		60A	600A	Ts3N060TW-2		Ts3N060TW		Ts3N060TW-4	
		70A	700A	Ts3N070TW-2		Ts3N070TW		Ts3N070TW-4	
		80A	800A	Ts3N080TW-2		Ts3N080TW		Ts3N080TW-4	
	90A	900A	Ts3N090TW-2		Ts3N090TW		Ts3N090TW-4		
	100A	1000A	Ts3N100TW-2		Ts3N100TW		Ts3N100TW-4		
	125A	1250A	Ts3N125TW-2		Ts3N125TW		Ts3N125TW-4		
	150A	1500A	Ts3N150TW-2		Ts3N150TW		Ts3N150TW-4		
	IC at 480VAC 25kA	175A ⁽¹⁾	1750A	Ts3N175TW-2		Ts3N175TW		Ts3N175TW-4	
		200A ⁽¹⁾	2000A	Ts3N200TW-2		Ts3N200TW		Ts3N200TW-4	
		225A ⁽¹⁾	2250A	Ts3N225TW-2		Ts3N225TW		Ts3N225TW-4	

Breaker	IC at 600VAC	Rating	Magnetic Trip	2-Pole, 480VAC/500VDC Part Number	List Price	3-Pole, 600VAC/600VDC Part Number	List Price
Ts3H	14kA	15A	500A	Ts3H015TW-2		Ts3H015TW	
		20A	500A	Ts3H020TW-2		Ts3H020TW	
		25A	500A	Ts3H025TW-2		Ts3H025TW	
		30A	500A	Ts3H030TW-2		Ts3H030TW	
		35A	500A	Ts3H035TW-2		Ts3H035TW	
		40A	500A	Ts3H040TW-2		Ts3H040TW	
		50A	500A	Ts3H050TW-2		Ts3H050TW	
		60A	600A	Ts3H060TW-2		Ts3H060TW	
		70A	700A	Ts3H070TW-2		Ts3H070TW	
		80A	800A	Ts3H080TW-2		Ts3H080TW	
	90A	900A	Ts3H090TW-2		Ts3H090TW		
	100A	1000A	Ts3H100TW-2		Ts3H100TW		
	125A	1250A	Ts3H125TW-2		Ts3H125TW		
	150A	1500A	Ts3H150TW-2		Ts3H150TW		
	IC at 480VAC 50kA	175A ⁽¹⁾	1750A	Ts3H175TW-2		Ts3H175TW	
		200A ⁽¹⁾	2000A	Ts3H200TW-2		Ts3H200TW	
		225A ⁽¹⁾	2250A	Ts3H225TW-2		Ts3H225TW	

Breaker	IC at 600VAC	Rating	Magnetic Trip	2-Pole, 480VAC/500VDC Part Number	List Price	3-Pole, 600VAC/600VDC Part Number	List Price
Ts3L	25kA	15A	500A	Ts3L015TW-2		Ts3L015TW	
		20A	500A	Ts3L020TW-2		Ts3L020TW	
		25A	500A	Ts3L025TW-2		Ts3L025TW	
		30A	500A	Ts3L030TW-2		Ts3L030TW	
		35A	500A	Ts3L035TW-2		Ts3L035TW	
		40A	500A	Ts3L040TW-2		Ts3L040TW	
		50A	500A	Ts3L050TW-2		Ts3L050TW	
		60A	600A	Ts3L060TW-2		Ts3L060TW	
		70A	700A	Ts3L070TW-2		Ts3L070TW	
		80A	800A	Ts3L080TW-2		Ts3L080TW	
	90A	900A	Ts3L090TW-2		Ts3L090TW		
	100A	1000A	Ts3L100TW-2		Ts3L100TW		
	125A	1250A	Ts3L125TW-2		Ts3L125TW		
	150A	1500A	Ts3L150TW-2		Ts3L150TW		
	IC at 480VAC 65kA	175A ⁽¹⁾	1750A	Ts3L175TW-2		Ts3L175TW	
		200A ⁽¹⁾	2000A	Ts3L200TW-2		Ts3L200TW	
		225A ⁽¹⁾	2250A	Ts3L225TW-2		Ts3L225TW	

(1) 480VAC/500VDC maximum

Ts3

150A, 600VAC Δ / 225A, 480VAC Δ, 100% Rated Thermal-Magnetic

Ts3

Ts3-225A Frame, 100% Rated Thermal-Magnetic Trip Units

Breaker	IC at 600VAC	Rating	Magnetic Trip	3-Pole, 600VAC/600VDC Part Number	List Price
Ts3NQ	14kA	15A	500A	Ts3NQ015TW	
		20A	500A	Ts3NQ020TW	
		25A	500A	Ts3NQ025TW	
		30A	500A	Ts3NQ030TW	
		35A	500A	Ts3NQ035TW	
		40A	500A	Ts3NQ040TW	
		50A	500A	Ts3NQ050TW	
		60A	600A	Ts3NQ060TW	
		70A	700A	Ts3NQ070TW	
		80A	800A	Ts3NQ080TW	
	90A	900A	Ts3NQ090TW		
	100A	1000A	Ts3NQ100TW		
	IC at 480VAC 25kA	125A	1250A	Ts3NQ125TW	
		150A	1500A	Ts3NQ150TW	
		175A ⁽¹⁾	1750A	Ts3NQ175TW	
200A ⁽¹⁾		2000A	Ts3NQ200TW		
225A ⁽¹⁾		2250A	Ts3NQ225TW		

Breaker	IC at 600VAC	Rating	Magnetic Trip	3-Pole, 600VAC/600VDC Part Number	List Price
Ts3HQ	14kA	15A	500A	Ts3HQ015TW	
		20A	500A	Ts3HQ020TW	
		25A	500A	Ts3HQ025TW	
		30A	500A	Ts3HQ030TW	
		35A	500A	Ts3HQ035TW	
		40A	500A	Ts3HQ040TW	
		50A	500A	Ts3HQ050TW	
		60A	600A	Ts3HQ060TW	
		70A	700A	Ts3HQ070TW	
		80A	800A	Ts3HQ080TW	
	90A	900A	Ts3HQ090TW		
	100A	1000A	Ts3HQ100TW		
	IC at 480VAC 50kA	125A	1250A	Ts3HQ125TW	
		150A	1500A	Ts3HQ150TW	
		175A ⁽¹⁾	1750A	Ts3HQ175TW	
200A ⁽¹⁾		2000A	Ts3HQ200TW		
225A ⁽¹⁾		2250A	Ts3HQ225TW		

Breaker	IC at 600VAC	Rating	Magnetic Trip	3-Pole, 600VAC/600VDC Part Number	List Price
Ts3LQ	25kA	15A	500A	Ts3LQ015TW	
		20A	500A	Ts3LQ020TW	
		25A	500A	Ts3LQ025TW	
		30A	500A	Ts3LQ030TW	
		35A	500A	Ts3LQ035TW	
		40A	500A	Ts3LQ040TW	
		50A	500A	Ts3LQ050TW	
		60A	600A	Ts3LQ060TW	
		70A	700A	Ts3LQ070TW	
		80A	800A	Ts3LQ080TW	
	90A	900A	Ts3LQ090TW		
	100A	1000A	Ts3LQ100TW		
	IC at 480VAC 65kA	125A	1250A	Ts3LQ125TW	
		150A	1500A	Ts3LQ150TW	
		175A ⁽¹⁾	1750A	Ts3LQ175TW	
200A ⁽¹⁾		2000A	Ts3LQ200TW		
225A ⁽¹⁾		2250A	Ts3LQ225TW		

(1) 480VAC/500VDC maximum

Ts3

Ts3

150A, 600VAC Δ / 225A, 450VAC, 480VAC

MCP/Molded Case Switch

Ts3-225A Frame, Motor Control Protection (MCP) Magnetic Only Trip Unit

Breaker	IC at 480VAC	IC at 600VAC	IC at 500VDC	IC at 600VDC	Trip Unit Type	Rating	Adjustment Range	3-Pole, 600VAC/600VDC Part Number	List Price
Ts3L	25kA	10kA	-	50kA	Mag only	3	12-36	Ts3L003MW	
	25kA	10kA	-	50kA	Mag only	5	20-60	Ts3L005MW	
	25kA	10kA	-	50kA	Mag only	10	40-120	Ts3L010MW	
	25kA	10kA	65kA	50kA	Mag only	25	100-300	Ts3L025MW	
	85kA	25kA	65kA	50kA	Mag only	50	200-600	Ts3L050MW	
	85kA	25kA	65kA	50kA	Mag only	100	400-1200	Ts3L100MW	
	85kA	25kA	65kA	50kA	Mag only	125	500-1500	Ts3L125MW	
	85kA	25kA	50kA	50kA	Mag only	150	600-1500	Ts3L150MW	
	65kA	-	50kA	-	Mag only	175 ⁽¹⁾	700-2100	Ts3L175MW	
	65kA	-	50kA	-	Mag only	200 ⁽¹⁾	800-2400	Ts3L200MW	

Ts3-225A Frame, Molded Case Switch

Type	Voltage (max.)	Magnetic Trip	Amps	3-Pole 600VAC/600VDC Part Number	List Price	4-Pole, 600VAC/600VDC Part Number	List Price
Ts3H	600VAC/600VDC	1500	150	Ts3H150DW		Ts3H150DW-4	
	480VAC/500VDC	2250	225 ⁽¹⁾	Ts3H225DW		Ts3H225DW-4	

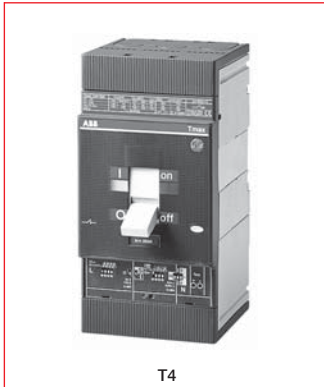
(1) 480VAC/500VDC Maximum

T4

250A, 600VAC Δ

Electronic and Thermal-Magnetic

T4



T4

Dimensions 3P Fixed Version 8.07H x 4.13W x 4.07D
Weight 6.18 (lbs)

General

The T4 breaker is a 250 amp frame with either a microprocessor based over current protective trip system or a thermal magnetic trip unit.

Standards

The UL489/CSA C22.2 No. 5 version of T4 also carries an IEC-60947-2 rating.

Versions

To meet all application requirements, the T4 is available in the following versions:

- T = Thermal-magnetic
- B = Selectable & adjustable LI or LS
- C = Adjustable LSI
- E = Adjustable LSI_G
- D = Molded Case Switch
- E5 = Electronic instantaneous only (MCP)

Trip Functions

These trip functions are available:

- L = Long time
- S = Short time
- I = Instantaneous
- G = Ground fault

Performance Levels

Each version is also available in different maximum fault interrupting levels:

- N = Normal
- S = Standard
- H = High - UL Current Limiting
- L = Extra high
- V = Very high - UL Current Limiting

Number of Poles ⁽³⁾

The T4 is available as a 2, 3 and 4 pole breaker. The 2 and 3 pole versions have the same dimensions.

Reverse Feeding

All versions of the T4 family are suitable for reverse feed application.

UL489 / CSA C22.2 Interrupting Capacity (kA RMS)

Voltage	Continuous Rating	N	S	H	L	V
240VAC	20 - 250A	65	100	150	200	200
480VAC	20 - 250A	25	35	65	100	150
600VAC	20 - 250A	18	25	35	65	100
500VDC ⁽¹⁾	20 - 250A	25	35	50	65	100
600VDC ⁽²⁾	20 - 250A	16	25	35	50	65

IEC 60947-2 Interrupting Capacity (kA RMS)

Voltage	Continuous Rating	N	S	H	L	V
230VAC	20 - 320A	70	85	100	200	200
415VAC	20 - 320A	36	50	70	120	200
440VAC	20 - 320A	30	40	65	100	180
500VAC	20 - 320A	25	30	50	85	150
690VAC	20 - 320A	20	25	40	70	80
750VDC	20 - 320A	18	25	36	50	70

(1) 2 poles in series.

(2) 3 poles in series.

(3) 2 pole breakers available in N version only. 4 pole breakers available in N and H version only.

T4

250A, 600VAC Δ

Electronic (AC Only)

T4-100A Frame, Electronic Trip Unit (AC Only) 40-100A Adjustable Range

Breaker	IC at 600VAC	Trip Unit	2-Pole, 600VAC Part Number	List Price	3-Pole, 600VAC Part Number	List Price	4-Pole, 600VAC Part Number	List Price
T4N	18kA	PR221 LS/I PR222 LSI PR222 LSIG	T4N100BW-2 T4N100CW-2 T4N100EW-2		T4N100BW T4N100CW T4N100EW		T4N100BW-4 T4N100CW-4 T4N100EW-4	
T4S	25kA	PR221 LS/I PR222 LSI PR222 LSIG			T4S100BW T4S100CW T4S100EW			
T4H UL Current Limiting	35kA	PR221 LS/I PR222 LSI PR222 LSIG			T4H100BW T4H100CW T4H100EW		T4H100BW-4 T4H100CW-4 T4H100EW-4	
T4L	65kA	PR221 LS/I PR222 LSI PR222 LSIG			T4L100BW T4L100CW T4L100EW			
T4V UL Current Limiting	100kA	PR221 LS/I PR222 LSI PR222 LSIG			T4V100BW T4V100CW T4V100EW			

T4-150A Frame, Electronic Trip Unit (AC Only) 60-150A Adjustable Range

Breaker	IC at 600VAC	Trip Unit	2-Pole, 600VAC Part Number	List Price	3-Pole, 600VAC Part Number	List Price	4-Pole, 600VAC Part Number	List Price
T4N	18kA	PR221 LS/I PR222 LSI PR222 LSIG	T4N150BW-2 T4N150CW-2 T4N150EW-2		T4N150BW T4N150CW T4N150EW		T4N150BW-4 T4N150CW-4 T4N150EW-4	
T4S	25kA	PR221 LS/I PR222 LSI PR222 LSIG			T4S150BW T4S150CW T4S150EW			
T4H UL Current Limiting	35kA	PR221 LS/I PR222 LSI PR222 LSIG			T4H150BW T4H150CW T4H150EW		T4H150BW-4 T4H150CW-4 T4H150EW-4	
T4L	65kA	PR221 LS/I PR222 LSI PR222 LSIG			T4L150BW T4L150CW T4L150EW			
T4V UL Current Limiting	100kA	PR221 LS/I PR222 LSI PR222 LSIG			T4V150BW T4V150CW T4V150EW			
T4V UL current limiting	100	PR221 LS/I PR222 LSI PR222 LSIG			T4V150BW T4V150CW T4V150EW			

T4-250A Frame, Electronic Trip Unit (AC Only) 100-250A Adjustable Range

Breaker	IC at 600VAC	Trip Unit	2-Pole, 600VAC Part Number	List Price	3-Pole, 600VAC Part Number	List Price	4-Pole, 600VAC Part Number	List Price
T4N	18kA	PR221 LS/I PR222 LSI PR222 LSIG	T4N250BW-2 T4N250CW-2 T4N250EW-2		T4N250BW T4N250CW T4N250EW		T4N250BW-4 T4N250CW-4 T4N250EW-4	
T4S	25kA	PR221 LS/I PR222 LSI PR222 LSIG			T4S250BW T4S250CW T4S250EW			
T4H UL Current Limiting	35kA	PR221 LS/I PR222 LSI PR222 LSIG			T4H250BW T4H250CW T4H250EW		T4H250BW-4 T4H250CW-4 T4H250EW-4	
T4L	65kA	PR221 LS/I PR222 LSI PR222 LSIG			T4L250BW T4L250CW T4L250EW			
T4V UL Current Limiting	100kA	PR221 LS/I PR222 LSI PR222 LSIG			T4V250BW T4V250CW T4V250EW			

T4

250A, 600VAC Δ

Electronic 100% Rated (AC Only)

T4

Breaker	IC at 600VAC	Trip Unit	3-Pole, 600VAC Part Number	List Price
T4NQ	18kA	PR221 LS/I PR222 LSI PR222 LSIG	T4NQ100BW T4NQ100CW T4NQ100EW	
T4SQ	25kA	PR221 LS/I PR222 LSI PR222 LSIG	T4SQ100BW T4SQ100CW T4SQ100EW	
T4HQ UL Current Limiting	35kA	PR221 LS/I PR222 LSI PR222 LSIG	T4HQ100BW T4HQ100CW T4HQ100EW	
T4LQ	65kA	PR221 LS/I PR222 LSI PR222 LSIG	T4LQ100BW T4LQ100CW T4LQ100EW	
T4VQ UL Current Limiting	100kA	PR221 LS/I PR222 LSI PR222 LSIG	T4VQ100BW T4VQ100CW T4VQ100EW	

T4-150A Frame, 100% Rated Electronic Trip Unit (AC Only) 60-150A Adjustable Range

Breaker	IC at 600VAC	Trip Unit	3-Pole, 600V Part Number	List Price
T4NQ	18kA	PR221 LS/I PR222 LSI PR222 LSIG	T4NQ150BW T4NQ150CW T4NQ150EW	
T4SQ	25kA	PR221 LS/I PR222 LSI PR222 LSIG	T4SQ150BW T4SQ150CW T4SQ150EW	
T4HQ UL Current Limiting	35kA	PR221 LS/I PR222 LSI PR222 LSIG	T4HQ150BW T4HQ150CW T4HQ150EW	
T4LQ	65kA	PR221 LS/I PR222 LSI PR222 LSIG	T4LQ150BW T4LQ150CW T4LQ150EW	
T4VQ UL Current Limiting	100kA	PR221 LS/I PR222 LSI PR222 LSIG	T4VQ150BW T4VQ150CW T4VQ150EW	

T4-250A Frame, 100% Rated Electronic Trip Unit (AC Only) 100-250A Adjustable Range

Breaker	IC at 600VAC	Trip Unit	3-Pole, 600V Part Number	List Price
T4NQ	18kA	PR221 LS/I PR222 LSI PR222 LSIG	T4NQ250BW T4NQ250CW T4NQ250EW	
T4SQ	25kA	PR221 LS/I PR222 LSI PR222 LSIG	T4SQ250BW T4SQ250CW T4SQ250EW	
T4HQ UL Current Limiting	35kA	PR221 LS/I PR222 LSI PR222 LSIG	T4HQ250BW T4HQ250CW T4HQ250EW	
T4LQ	65kA	PR221 LS/I PR222 LSI PR222 LSIG	T4LQ250BW T4LQ250CW T4LQ250EW	
T4VQ UL Current Limiting	100kA	PR221 LS/I PR222 LSI PR222 LSIG	T4VQ250BW T4VQ250CW T4VQ250EW	

T4

T4 250A, 600VAC Δ Thermal-Magnetic Trip Units

T4-250A Frame, Thermal-Magnetic Trip Unit

Breaker	IC at 600VAC	Rating	Magnetic Trip	3-Pole, 600VAC/600VDC Part Number	List Price	4-Pole, 600VAC/600VDC Part Number	List Price
T4N	18kA	20A	500	T4N020TW		T4N020TW-4	
		30A (21-30A)	500	T4N030TW		T4N030TW-4	
		40A (28-40A)	500	T4N040TW		T4N040TW-4	
		50A (35-50A)	500	T4N050TW		T4N050TW-4	
		80A (56-80A)	400-800	T4N080TW		T4N080TW-4	
		100A (70-100A)	500-1000	T4N100TW		T4N100TW-4	
		125A (88-125A)	625-1250	T4N125TW		T4N125TW-4	
		150A (105-150A)	750-1500	T4N150TW		T4N150TW-4	
		200A (140-200A)	1000-2000	T4N200TW		T4N200TW-4	
		250A (175-250A)	1250-2500	T4N250TW		T4N250TW-4	
T4S	25kA	20A	500	T4S020TW			
		30A (21-30A)	500	T4S030TW			
		40A (28-40A)	500	T4S040TW			
		50A (35-50A)	500	T4S050TW			
		80A (56-80A)	400-800	T4S080TW			
		100A (70-100A)	500-1000	T4S100TW			
		125A (88-125A)	625-1250	T4S125TW			
		150A (105-150A)	750-1500	T4S150TW			
		200A (140-200A)	1000-2000	T4S200TW			
		250A (175-250A)	1250-2500	T4S250TW			
T4H UL Current Limiting	35kA	20A	500	T4H020TW		T4H020TW-4	
		30A (21-30A)	500	T4H030TW		T4H030TW-4	
		40A (28-40A)	500	T4H040TW		T4H040TW-4	
		50A (35-50A)	500	T4H050TW		T4H050TW-4	
		80A (56-80A)	400-800	T4H080TW		T4H080TW-4	
		100A (70-100A)	500-1000	T4H100TW		T4H100TW-4	
		125A (88-125A)	625-1250	T4H125TW		T4H125TW-4	
		150A (105-150A)	750-1500	T4H150TW		T4H150TW-4	
		200A (140-200A)	1000-2000	T4H200TW		T4H200TW-4	
		250A (175-250A)	1250-2500	T4H250TW		T4H250TW-4	
T4L	65kA	20A	500	T4L020TW			
		30A (21-30A)	500	T4L030TW			
		40A (28-40A)	500	T4L040TW			
		50A (35-50A)	500	T4L050TW			
		80A (56-80A)	400-800	T4L080TW			
		100A (70-100A)	500-1000	T4L100TW			
		125A (88-125A)	625-1250	T4L125TW			
		150A (105-150A)	750-1500	T4L150TW			
		200A (140-200A)	1000-2000	T4L200TW			
		250A (175-250A)	1250-2500	T4L250TW			
T4V UL Current Limiting	100kA	20A	500	T4V020TW			
		30A (21-30A)	500	T4V030TW			
		40A (28-40A)	500	T4V040TW			
		50A (35-50A)	500	T4V050TW			
		80A (56-80A)	400-800	T4V080TW			
		100A (70-100A)	500-1000	T4V100TW			
		125A (88-125A)	625-1250	T4V125TW			
		150A (105-150A)	750-1500	T4V150TW			
		200A (140-200A)	1000-2000	T4V200TW			
		250A (175-250A)	1250-2500	T4V250TW			

Breaker	IC at 600VAC	Rating	Magnetic Trip	2-Pole, 600VAC/500VDC Part Number	List Price
T4N	18kA	30A (21-30A)	500	T4N030TW-2	
		40A (28-40A)	500	T4N040TW-2	
		50A (35-50A)	500	T4N050TW-2	
		80A (56-80A)	400-800	T4N080TW-2	
		100A (70-100A)	500-1000	T4N100TW-2	
		125A (88-125A)	625-1250	T4N125TW-2	
		150A (100-150A)	750-1500	T4N150TW-2	
		200A (140-200A)	1000-2000	T4N200TW-2	
		250A (175-250A)	1250-2500	T4N250TW-2	

T4 250A, 600VAC 100% Rated Thermal-Magnetic Trip Units

T4

T4-250A Frame, 100% Rated Thermal-Magnetic Trip Unit

Breaker	IC at 600VAC	Rating	Magnetic Trip	3-Pole, 600VAC/600VDC Part Number	List Price
T4NQ	18kA	20A	500	T4NQ020TW	
		30A (21-30A)	500	T4NQ030TW	
		40A (28-40A)	500	T4NQ040TW	
		50A (35-50A)	500	T4NQ050TW	
		80A (56-80A)	400-800	T4NQ080TW	
		100A (70-100A)	500-1000	T4NQ100TW	
		125A (88-125A)	625-1250	T4NQ125TW	
		150A (105-150A)	750-1500	T4NQ150TW	
		200A (140-200A)	1000-2000	T4NQ200TW	
		250A (175-250A)	1250-2500	T4NQ250TW	
T4SQ	25kA	20A	500	T4SQ020TW	
		30A (21-30A)	500	T4SQ030TW	
		40A (28-40A)	500	T4SQ040TW	
		50A (35-50A)	500	T4SQ050TW	
		80A (56-80A)	400-800	T4SQ080TW	
		100A (70-100A)	500-1000	T4SQ100TW	
		125A (88-125A)	625-1250	T4SQ125TW	
		150A (105-150A)	750-1500	T4SQ150TW	
		200A (140-200A)	1000-2000	T4SQ200TW	
		250A (175-250A)	1250-2500	T4SQ250TW	
T4HQ	35kA	20A	500	T4HQ020TW	
		30A (21-30A)	500	T4HQ030TW	
		40A (28-40A)	500	T4HQ040TW	
		50A (35-50A)	500	T4HQ050TW	
		80A (56-80A)	400-800	T4HQ080TW	
		100A (70-100A)	500-1000	T4HQ100TW	
		125A (88-125A)	625-1250	T4HQ125TW	
		150A (105-150A)	750-1500	T4HQ150TW	
		200A (140-200A)	1000-2000	T4HQ200TW	
		250A (175-250A)	1250-2500	T4HQ250TW	
T4LQ	65kA	20A	500	T4LQ020TW	
		30A (21-30A)	500	T4LQ030TW	
		40A (28-40A)	500	T4LQ040TW	
		50A (35-50A)	500	T4LQ050TW	
		80A (56-80A)	400-800	T4LQ080TW	
		100A (70-100A)	500-1000	T4LQ100TW	
		125A (88-125A)	625-1250	T4LQ125TW	
		150A (105-150A)	750-1500	T4LQ150TW	
		200A (140-200A)	1000-2000	T4LQ200TW	
		250A (175-250A)	1250-2500	T4LQ250TW	
T4VQ	100kA	20A	500	T4VQ020TW	
		30A (21-30A)	500	T4VQ030TW	
		40A (28-40A)	500	T4VQ040TW	
		50A (35-50A)	500	T4VQ050TW	
		80A (56-80A)	400-800	T4VQ080TW	
		100A (70-100A)	500-1000	T4VQ100TW	
		125A (88-125A)	625-1250	T4VQ125TW	
		150A (105-150A)	750-1500	T4VQ150TW	
		200A (140-200A)	1000-2000	T4VQ200TW	
		250A (175-250A)	1250-2500	T4VQ250TW	

T4

T4 250A, 600VAC Δ MCP (Instantaneous Only), Molded Case Switch

T4-250A Frame, Motor Control Protection (MCP) Electronic Trip Unit (AC Only)

Breaker	IC at 600VAC	Trip Unit Type	Rating	Adjustment Range	3-Pole, 600VAC Part Number	List Price
T4N	18kA	PR221 DS-I	100A 150A 250A	100-1000 150-1500 250-2500	T4N100E5W T4N150E5W T4N250E5W	
T4S	25kA	PR221 DS-I	100A 150A 250A	100-1000 150-1500 250-2500	T4S100E5W T4S150E5W T4S250E5W	
T4H	35kA	PR221 DS-I	100A 150A 250A	100-1000 150-1500 250-2500	T4H100E5W T4H150E5W T4H250E5W	
T4L	65kA	PR221 DS-I	100A 150A 250A	100-1000 150-1500 250-2500	T4L100E5W T4L150E5W T4L250E5W	

T4-250A Frame, Molded Case Switch

Type	Amps	Magnetic Trip	3-Pole, 600VAC/600VDC Part Number	List Price	4-Pole, 600VAC/600VDC Part Number	List Price
T4N-D	250	3000	T4N250DW		T4H250DW-4	
T4S-D	250	3000	T4S250DW			
T4H-D	250	3000	T4H250DW			
T4L-D	250	3000	T4L250DW			
T4V-D	250	3000	T4V250DW			

T5

400A / 600A, 600VAC Δ

Electronic and Thermal-Magnetic

T5



Dimensions 3P Fixed Version 8.07H x 5.51W x 4.07D
Weight 8.55 (lbs)

General

The T5 breaker is a 400/600 amp frame with either a microprocessor based over current protective trip system or a thermal magnetic trip unit. ⁽³⁾

Standards

The UL489/CSA C22.2 No. 5 version of T5 also carries an IEC-60947-2 rating.

Versions

To meet all application requirements, the T5 is available in the following versions:

- T = Thermal-magnetic
- B = Selectable & adjustable LI or LS
- C = Adjustable LSI
- E = Adjustable LSIG
- D = Molded Case Switch
- E5 = Electronic instantaneous only (MCP)

Trip Functions

These trip functions are available:

- L = Long time
- S = Short time
- I = Instantaneous
- G = Ground fault

Performance Levels

Each version is also available in different maximum fault interrupting levels:

- N = Normal
- S = Standard
- H = High
- L = Extra high
- V = Very high

Number of Poles ⁽⁴⁾

The T5 is available as a 2, 3 and 4 pole breaker. The 2 and 3 pole versions have the same dimensions.

Reverse Feeding

All versions of the T5 family are suitable for reverse feed application.

UL489 / CSA C22.2 Interrupting Capacity (kA RMS)

Voltage	N	S	H	L	V
240VAC	65	100	150	200	200
480VAC	25	35	65	100	150
600VAC	18	25	35	65	100
500VDC ⁽¹⁾	25	35	50	65	100
600VDC ⁽²⁾	16	25	35	50	65

IEC 60947-2 Interrupting Capacity (kA RMS)

Voltage	N	S	H	L	V
230VAC	70	85	100	200	200
415VAC	36	50	70	120	200
440VAC	30	40	65	100	180
500VAC	25	30	50	85	150
690VAC	20	25	40	70	80
750VDC ⁽²⁾	16	25	36	50	70

(1) 2 poles in series.

(2) 3 poles in series.

(3) T5 600A not available with thermal magnetic trip unit.

(4) 2 pole available in N version only. 4 pole available in N and H version only.

T5

400A / 600A

Electronic (AC Only)

T5-300A Frame, Electronic Trip Unit (AC Only) 120-300A Adjustable Range

Breaker	IC at 600VAC	Trip Unit	2-Pole, 600VAC Part Number	List Price	3-Pole, 600VAC Part Number	List Price	4-Pole, 600VAC Part Number	List Price
T5N	18kA	PR221 LS/I PR222 LSI PR222 LSIG	T5N300BW-2 T5N300CW-2 T5N300EW-2		T5N300BW T5N300CW T5N300EW		T5N300BW-4 T5N300CW-4 T5N300EW-4	
T5S	25kA	PR221 LS/I PR222 LSI PR222 LSIG			T5S300BW T5S300CW T5S300EW			
T5H	35kA	PR221 LS/I PR222 LSI PR222 LSIG			T5H300BW T5H300CW T5H300EW		T5H300BW-4 T5H300CW-4 T5H300EW-4	
T5L	65kA	PR221 LS/I PR222 LSI PR222 LSIG			T5L300BW T5L300CW T5L300EW			
T5V	100kA	PR221 LS/I PR222 LSI PR222 LSIG			T5V300BW T5V300CW T5V300EW			

T5-400A Frame, Electronic Trip Unit (AC Only) 160-400A Adjustable Range

Breaker	IC at 600VAC	Trip Unit	2-Pole, 600VAC Part Number	List Price	3-Pole, 600VAC Part Number	List Price	4-Pole, 600VAC Part Number	List Price
T5N	18kA	PR221 LS/I PR222 LSI PR222 LSIG	T5N400BW-2 T5N400CW-2 T5N400EW-2		T5N400BW T5N400CW T5N400EW		T5N400BW-4 T5N400CW-4 T5N400EW-4	
T5S	25kA	PR221 LS/I PR222 LSI PR222 LSIG			T5S400BW T5S400CW T5S400EW			
T5H	35kA	PR221 LS/I PR222 LSI PR222 LSIG			T5H400BW T5H400CW T5H400EW		T5H400BW-4 T5H400CW-4 T5H400EW-4	
T5L	65kA	PR221 LS/I PR222 LSI PR222 LSIG			T5L400BW T5L400CW T5L400EW			
T5V	100kA	PR221 LS/I PR222 LSI PR222 LSIG			T5V400BW T5V400CW T5V400EW			

T5-600A Frame, Electronic Trip Unit (AC Only) 240-600A Adjustable Range

Breaker	IC at 600VAC	Trip Unit	3-Pole, 600VAC Part Number	List Price
T5N	18kA	PR221 LS/I PR222 LSI PR222 LSIG	T5N600BW T5N600CW T5N600EW	
T5S	25kA	PR221 LS/I PR222 LSI PR222 LSIG	T5S600BW T5S600CW T5S600EW	
T5H	35kA	PR221 LS/I PR222 LSI PR222 LSIG	T5H600BW T5H600CW T5H600EW	
T5L	65kA	PR221 LS/I PR222 LSI PR222 LSIG	T5L600BW T5L600CW T5L600EW	
T5V	100kA	PR221 LS/I PR222 LSI PR222 LSIG	T5V600BW T5V600CW T5V600EW	

T5 400A 100% Rated Electronic (AC only) ⁽¹⁾

T5-300A Frame, 100% Rated Electronic Trip Units (AC Only) 120-300A Adjustable Range

Breaker	IC at 600VAC	Trip Unit	3-Pole, 600VAC Part Number	List Price
T5N	18kA	PR221 LS/I PR222 LSI PR222 LSIG	T5NQ300BW T5NQ300CW T5NQ300EW	
T5S	25kA	PR221 LS/I PR222 LSI PR222 LSIG	T5SQ300BW T5SQ300CW T5SQ300EW	
T5H	35kA	PR221 LS/I PR222 LSI PR222 LSIG	T5HQ300BW T5HQ300CW T5HQ300EW	
T5L	65kA	PR221 LS/I PR222 LSI PR222 LSIG	T5LQ300BW T5LQ300CW T5LQ300EW	
T5V	100kA	PR221 LS/I PR222 LSI PR222 LSIG	T5VQ300BW T5VQ300CW T5VQ300EW	

T5-400A Frame, 100% Rated Electronic Trip Units (AC Only) 160-400A Adjustable Range

Breaker	IC at 600VAC	Trip Unit	3-Pole, 600VAC Part Number	List Price
T5N	18kA	PR221 LS/I PR222 LSI PR222 LSIG	T5NQ400BW T5NQ400CW T5NQ400EW	
T5S	25kA	PR221 LS/I PR222 LSI PR222 LSIG	T5SQ400BW T5SQ400CW T5SQ400EW	
T5H	35kA	PR221 LS/I PR222 LSI PR222 LSIG	T5HQ400BW T5HQ400CW T5HQ400EW	
T5L	65kA	PR221 LS/I PR222 LSI PR222 LSIG	T5LQ400BW T5LQ400CW T5LQ400EW	
T5V	100kA	PR221 LS/I PR222 LSI PR222 LSIG	T5VQ400BW T5VQ400CW T5VQ400EW	

(1) T5 600A not available as 100% rated

T5

T5
400A, 600VAC Δ
Thermal-Magnetic ⁽¹⁾

T5-300/400A Frame, Thermal-Magnetic Trip Unit

Breaker	IC at 600VAC	Rating	Magnetic Trip	2-Pole, 600VAC/500VDC Part Number	List Price	3-Pole, 600VAC/600VDC Part Number	List Price	4-Pole, 600VAC/600VDC Part Number	List Price
T5N	18kA	300A 400A	1500-3000 2000-4000	T5N300TW-2 T5N400TW-2		T5N300TW T5N400TW		T5N300TW-4 T5N400TW-4	
T5S	25kA	300A 400A	1500-3000 2000-4000			T5S300TW T5S400TW		T5S300TW-4 T5S400TW-4	
T5H	35kA	300A 400A	1500-3000 2000-4000			T5H300TW T5H400TW		T5H300TW-4 T5H400TW-4	
T5L	65kA	300A 400A	1500-3000 2000-4000			T5L300TW T5L400TW		T5L300TW-4 T5L400TW-4	
T5V	100kA	300A 400A	1500-3000 2000-4000			T5V300TW T5V400TW		T5V300TW-4 T5V400TW-4	

T5-300/400A Frames, 100% Rated, Thermal-Magnetic Trip Unit

Breaker	IC at 600VAC	Rating	Magnetic Trip	3-Pole, 600VAC/500VDC Part Number	List Price
T5N	18kA	300A 400A	1500-3000 2000-4000	T5NQ300TW T5NQ400TW	
T5S	25kA	300A 400A	1500-3000 2000-4000	T5SQ300TW T5SQ400TW	
T5H	35kA	300A 400A	1500-3000 2000-4000	T5HQ300TW T5HQ400TW	
T5L	65kA	300A 400A	1500-3000 2000-4000	T5LQ300TW T5LQ400TW	
T5V	100kA	300A 400A	1500-3000 2000-4000	T5VQ300TW T5VQ400TW	

(1) T5 600A not available with thermal-magnetic trip unit.

T5 400A / 600A MCP (Instantaneous Only), Molded Case Switch

T5

T5-300/400A Frame, Motor Control Protection (MCP) Electronic Trip Unit (Ac Only)

Breaker	IC at 600VAC	Trip Unit	Rating	Adjustment Range	3-Pole, 600VAC/600VDC Part Number	List Price
T5N	18kA	PR221DS-I	300A 400A	300-3000 400-4000	T5N300E5W T5N400E5W	
T5S	25kA	PR221DS-I	300A 400A	300-3000 400-4000	T5S300E5W T5S400E5W	
T5H	55kA	PR221DS-I	300A 400A	300-3000 400-4000	T5H300E5W T5H400E5W	
T5L	65kA	PR221DS-I	300A 400A	300-3000 400-4000	T5L300E5W T5L400E5W	

T5-600A Frame, Motor Control Protection (MCP) Electronic Trip Unit (AC Only)

Breaker	IC at 600VAC	Trip Unit	Rating	Adjustment Range	3-Pole, 600VAC/600VDC Part Number	List Price
T5N	18kA	PR221DS-I	600A	600-6000	T5N600E5W	
T5S	25kA	PR221DS-I	600A	600-6000	T5S600E5W	
T5H	55kA	PR221DS-I	600A	600-6000	T5H600E5W	
T5L	65kA	PR221DS-I	600A	600-6000	T5L600E5W	

T5-400/600A Frame, Molded Case Switch

Type	IC at 600VAC	Amps	Magnetic Trip	3-Pole, 600VAC/600VDC Part Number	List Price	4-Pole, 600VAC/600VDC Part Number	List Price
T5N-D	18kA	400	5000	T5N400DW		T5H400DW-4	
T5S-D	25kA	400	5000	T5S400DW			
T5H-D	35kA	400	5000	T5H400DW			
T5L-D	65kA	400	5000	T5L400DW			
T5V-D	100kA	400	5000	T5V400DW			
T5N-D	18kA	600	6000	T5N600DW			
T5S-D	25kA	600	6000	T5S600DW			
T5H-D	35kA	600	6000	T5H600DW			
T5L-D	65kA	600	6000	T5L600DW			
T5V-D	100kA	600	6000	T5V600DW			

T6

600A / 800A, 600VAC Δ

Electronic & Thermal-Magnetic



T6

Dimensions 3P Fixed Version 10.55H x 8.26W x 4.07D
Weight 20.9 (lbs)

General

The T6 breaker is an 800 amp frame with either a microprocessor based over current protective trip system or a thermal magnetic trip unit. The T6 is available as a 600 or 800A frame.

Standards

The UL489/CSA C22.2 No. 5 version of T6 also carries an IEC-60947-2 rating.

Versions

To meet all application requirements, the T6 is available in the following versions:

- T = Thermal-magnetic, fixed
- B = Selectable & adjustable LI or LS
- C = Adjustable LSI
- E = Adjustable LSI Δ
- D = Molded Case Switch
- E5 = Electronic instantaneous only (MCP)

Trip Functions

These trip functions are available:

- L = Long time
- S = Short time
- I = Instantaneous
- G = Ground fault

Performance Levels

Each version is also available in different maximum fault interrupting levels:

- N = Normal
- S = Standard
- H = High
- L = Extra high

Number of Poles ⁽³⁾

The T6 is available as a 3 and 4 pole breaker.
 4 poles only available in N or H version.

Reverse Feeding

All versions of the T6 family are suitable for reverse feed application.

UL489 / CSA C22.2 Interrupting Capacity (kA RMS)

Voltage	N	S	H	L
240VAC	65	100	200	200
480VAC	35	50	65	100
600VAC	20	25	35	42
500VDC ⁽¹⁾	35	35	50	65
600VDC ⁽²⁾	20	20	35	50

IEC 60947-2 Interrupting Capacity (kA RMS)

Voltage	N	S	H	L
230VAC	70	85	100	200
415VAC	36	50	70	100
600VAC	20	22	25	30
750VDC ⁽²⁾	16	20	36	50

(1) 2 poles in series.

(2) 3 poles in series.

(3) 4 pole available N and H version only.

T6

600A / 800A, 600VAC Δ

Electronic (AC Only)

T6-600A Frame, Electronic Trip Unit (AC Only) 240-600A Adjustable Range

Breaker	IC at 600VAC	Trip Unit	3-Pole, 600VAC Part Number	List Price	4-Pole, 600VAC Part Number	List Price
T6N	20kA	PR221 LS/I PR222 LSI PR222 LSIG	T6N600BW T6N600CW T6N600EW		T6N600BW-4 T6N600CW-4 T6N600EW-4	
T6S	25kA	PR221 LS/I PR222 LSI PR222 LSIG	T6S600BW T6S600CW T6S600EW			
T6H	35kA	PR221 LS/I PR222 LSI PR222 LSIG	T6H600BW T6H600CW T6H600EW		T6H600BW-4 T6H600CW-4 T6H600EW-4	
T6L	42kA	PR221 LS/I PR222 LSI PR222 LSIG	T6L600BW T6L600CW T6L600EW			

T6-800A Frame, Electronic Trip Unit (AC Only) 320-800A Adjustable Range

Breaker	IC at 600VAC	Trip Unit	3-Pole, 600VAC Part Number	List Price	4-Pole, 600VAC Part Number	List Price
T6N	20kA	PR221 LS/I PR222 LSI PR222 LSIG	T6N800BW T6N800CW T6N800EW		T6N800BW-4 T6N800CW-4 T6N800EW-4	
T6S	25kA	PR221 LS/I PR222 LSI PR222 LSIG	T6S800BW T6S800CW T6S800EW			
T6H	35kA	PR221 LS/I PR222 LSI PR222 LSIG	T6H800BW T6H800CW T6H800EW		T6H800BW-4 T6H800CW-4 T6H800EW-4	
T6L	42kA	PR221 LS/I PR222 LSI PR222 LSIG	T6L800BW T6L800CW T6L800EW			

T6-600A Frame, 100% Rated Electronic Trip Unit (AC Only) 240-600A Adjustable Range

Breaker	IC at 600VAC	Trip Unit	3-Pole, 600VAC Part Number	List Price
T6N	20kA	PR221 LS/I PR222 LSI PR222 LSIG	T6NQ600BW T6NQ600CW T6NQ600EW	
T6S	25kA	PR221 LS/I PR222 LSI PR222 LSIG	T6SQ600BW T6SQ600CW T6SQ600EW	
T6H	35kA	PR221 LS/I PR222 LSI PR222 LSIG	T6HQ600BW T6HQ600CW T6HQ600EW	
T6L	42kA	PR221 LS/I PR222 LSI PR222 LSIG	T6LQ600BW T6LQ600CW T6LQ600EW	

T6-800A Frame, 100% Rated Electronic Trip Unit (AC Only) 320-800A Adjustable Range

Breaker	IC at 600VAC	Trip Unit	3-Pole, 600VAC Part Number	List Price
T6N	20kA	PR221 LS/I PR222 LSI PR222 LSIG	T6NQ800BW T6NQ800CW T6NQ800EW	
T6S	25kA	PR221 LS/I PR222 LSI PR222 LSIG	T6SQ800BW T6SQ800CW T6SQ800EW	
T6H	35kA	PR221 LS/I PR222 LSI PR222 LSIG	T6HQ800BW T6HQ800CW T6HQ800EW	
T6L	42kA	PR221 LS/I PR222 LSI PR222 LSIG	T6LQ800BW T6LQ800CW T6LQ800EW	

T6

T6 600A / 800A, 600VAC Δ Electronic & Thermal-Magnetic

T6-600/800A Frame, Thermal-Magnetic Trip Unit

Breaker	IC at 600VAC	Rating	Magnetic Trip	3-Pole, 600VAC/600VDC Part Number	List Price	4-Pole, 600VAC/600VDC Part Number	List Price
T6N	20kA	600A 800A	3000 - 6000A 4000 - 8000A	T6N600TW T6N800TW		T6N600TW-4 T6N800TW-4	
T6S	25kA	600A 800A	3000 - 6000A 4000 - 8000A	T6S600TW T6S800TW			
T6H	35kA	600A 800A	3000 - 6000A 4000 - 8000A	T6H600TW T6H800TW		T6H600TW-4 T6H800TW-4	
T6L	42kA	600A 800A	3000 - 6000A 4000 - 8000A	T6L600TW T6L800TW			

T6-600/800A Frame, 100% Rated Thermal-Magnetic Trip Unit

Breaker	IC at 600VAC	Rating	Magnetic Trip	3-Pole, 600VAC/600VDC Part Number	List Price
T6N	20kA	600A 800A	3000 - 6000A 4000 - 8000A	T6NQ600TW T6NQ800TW	
T6S	25kA	600A 800A	3000 - 6000A 4000 - 8000A	T6SQ600TW T6SQ800TW	
T6H	35kA	600A 800A	3000 - 6000A 4000 - 8000A	T6HQ600TW T6HQ800TW	
T6L	42kA	600A 800A	3000 - 6000A 4000 - 8000A	T6LQ600TW T6LQ800TW	

T6-600A Frame, Motor Control Protection (MCP) Electronic Trip Unit (AC Only)

Breaker	IC at 600VAC	Trip Unit	Adjustment Range	3-Pole, 600VAC Part Number	List Price
T6N	20kA	PR221 DS-I	600-6000	T6N600E5W	
T6S	25kA	PR221 DS-I	600-6000	T6S600E5W	
T6H	35kA	PR221 DS-I	600-6000	T6H600E5W	
T6L	42kA	PR221 DS-I	600-6000	T6L600E5W	

T6-800A Frame, Motor Control Protection (MCP) Electronic Trip Unit (AC Only)

Breaker	IC at 600VAC	Trip Unit	Adjustment Range	3-Pole, 600VAC Part Number	List Price
T6N	20kA	PR221 DS-I	800-8000	T6N800E5W	
T6S	25kA	PR221 DS-I	800-8000	T6S800E5W	
T6H	35kA	PR221 DS-I	800-8000	T6H800E5W	
T6L	42kA	PR221 DS-I	800-8000	T6L800E5W	

T6-800A Frame, Molded Case Switch

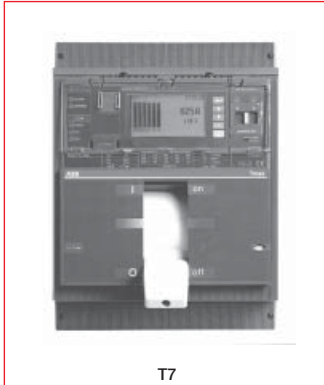
Breaker	IC at 600VAC	Amp	Magnetic Trip	3-Pole, 600VAC/600VDC Part Number	List Price	4-Pole, 600VAC/600VDC Part Number	List Price
T6H	35kA	800	10,000	T6H800DW		T6H800DW-4	

T7-T7M

1000A / 1200A, 600VAC Δ

Electronic (AC Only)

T7



T7

Dimensions 3P Fixed Version 10.55H x 8.26W x 6.07D ⁽¹⁾
Weight 21.4 (lbs)

General

The T7 breaker is a 1200 amp frame with a microprocessor based over current protective trip system.
 Available in 2 versions: T7 for toggle operated, T7M for motor operated

Standards

The UL489/CSA C22.2 No. 5 version of T7 also carries an IEC-60947-2 rating.

Versions

To meet all application requirements, the T7 is available in the following versions:

- B = PR231-LS/I adjustable (dip switch)
- C = PR232-LSI adjustable (dip switch)
- E = PR331-LSIG adjustable (dip switch)
- D = Moulded Case Switch
- P = PR332-LI adjustable (keypad + LCD display)
- R = PR332-LSI adjustable (keypad + LCD display)
- S = PR332-LSIG adjustable (keypad + LCD display)

Trip Functions

These trip functions are available:

- L = Long time
- S = Short time
- I = Instantaneous
- G = Ground fault

Performance Levels

Each version is also available in different maximum fault interrupting levels:

- S = Standard
- H = High
- L = Extra high

Number of Poles

The T7 is available as a 3 and 4 pole breaker.

UL489 / CSA C22.2 Interrupting Capacity (kA RMS)

Voltage	S	H	L
240VAC	65	100	150
480VAC	50	65	100
600VAC	25	50	65

IEC 60947-2 Interrupting Capacity (kA RMS)

Voltage	S	H	L
230VAC	85	100	200
415VAC	50	70	120
690VAC	30	42	50

(1) Toggle type (dimensions of toggle not included)

T7

T7 1000A / 1200A, 600VAC Δ Electronic (AC Only)

T7S-1000A Frame, Electronic Trip Unit (AC Only)

Breaker	IC at 600VAC	Trip Unit	Adjustment	3-Pole, 600VAC Part Number	List Price	4-Pole, 600VAC Part Number	List Price
T7S	25kA	PR231/P	LS/I	T7S1000BW		T7S1000BW-4	
		PR232/P	LSI	T7S1000CW		T7S1000CW-4	
		PR331/P	LSIG	T7S1000EW		T7S1000EW-4	
		PR332/P	LI	T7S1000PW		T7S1000PW-4	
		PR332/P	LSI	T7S1000RW		T7S1000RW-4	
		PR332/P	LSIG	T7S1000SW		T7S1000SW-4	

T7S-1200A Frame, Electronic Trip Unit (AC Only)

Breaker	IC at 600VAC	Trip Unit	Adjustment	3-Pole, 600VAC Part Number	List Price	4-Pole, 600VAC Part Number	List Price
T7S	25kA	PR231/P	LS/I	T7S1200BW		T7S1200BW-4	
		PR232/P	LSI	T7S1200CW		T7S1200CW-4	
		PR331/P	LSIG	T7S1200EW		T7S1200EW-4	
		PR332/P	LI	T7S1200PW		T7S1200PW-4	
		PR332/P	LSI	T7S1200RW		T7S1200RW-4	
		PR332/P	LSIG	T7S1200SW		T7S1200SW-4	

T7H-1000A Frame, Electronic Trip Unit (AC Only)

Breaker	IC at 600VAC	Trip Unit	Adjustment	3-Pole, 600VAC Part Number	List Price	4-Pole, 600VAC Part Number	List Price
T7H	50kA	PR231/P	LS/I	T7H1000BW		T7H1000BW-4	
		PR232/P	LSI	T7H1000CW		T7H1000CW-4	
		PR331/P	LSIG	T7H1000EW		T7H1000EW-4	
		PR332/P	LI	T7H1000PW		T7H1000PW-4	
		PR332/P	LSI	T7H1000RW		T7H1000RW-4	
		PR332/P	LSIG	T7H1000SW		T7H1000SW-4	

T7H-1200A Frame, Electronic Trip Unit (AC Only)

Breaker	IC at 600VAC	Trip Unit	Adjustment	3-Pole, 600VAC Part Number	List Price	4-Pole, 600VAC Part Number	List Price
T7H	50kA	PR231/P	LS/I	T7H1200BW		T7H1200BW-4	
		PR232/P	LSI	T7H1200CW		T7H1200CW-4	
		PR331/P	LSIG	T7H1200EW		T7H1200EW-4	
		PR332/P	LI	T7H1200PW		T7H1200PW-4	
		PR332/P	LSI	T7H1200RW		T7H1200RW-4	
		PR332/P	LSIG	T7H1200SW		T7H1200SW-4	

T7L-1000A Frame, Electronic Trip Unit (AC Only)

Breaker	IC at 600VAC	Trip Unit	Adjustment	3-Pole, 600VAC Part Number	List Price	4-Pole, 600VAC Part Number	List Price
T7L	65kA	PR231/P	LS/I	T7L1000BW		T7L1000BW-4	
		PR232/P	LSI	T7L1000CW		T7L1000CW-4	
		PR331/P	LSIG	T7L1000EW		T7L1000EW-4	
		PR332/P	LI	T7L1000PW		T7L1000PW-4	
		PR332/P	LSI	T7L1000RW		T7L1000RW-4	
		PR332/P	LSIG	T7L1000SW		T7L1000SW-4	

T7L-1200A Frame, Electronic Trip Unit (AC Only)

Breaker	IC at 600VAC	Trip Unit	Adjustment	3-Pole, 600VAC Part Number	List Price	4-Pole, 600VAC Part Number	List Price
T7L	65kA	PR231/P	LS/I	T7L1200BW		T7L1200BW-4	
		PR232/P	LSI	T7L1200CW		T7L1200CW-4	
		PR331/P	LSIG	T7L1200EW		T7L1200EW-4	
		PR332/P	LI	T7L1200PW		T7L1200PW-4	
		PR332/P	LSI	T7L1200RW		T7L1200RW-4	
		PR332/P	LSIG	T7L1200SW		T7L1200SW-4	

T7M

1000A / 1200A, 600VAC Δ

Electronic (AC Only)

T7MS-1000A Frame, Electronic Trip Unit (AC Only)

Breaker	IC at 600VAC	Trip Unit	Adjustment	3-Pole, 600VAC Part Number	List Price	4-Pole, 600VAC Part Number	List Price
T7MS	25kA	PR231/P	LS/I	T7MS1000BW		T7MS1000BW-4	
		PR232/P	LSI	T7MS1000CW		T7MS1000CW-4	
		PR331/P	LSIG	T7MS1000EW		T7MS1000EW-4	
		PR332/P	LI	T7MS1000PW		T7MS1000PW-4	
		PR332/P	LSI	T7MS1000RW		T7MS1000RW-4	
		PR332/P	LSIG	T7MS1000SW		T7MS1000SW-4	

T7MS-1200A Frame, Electronic Trip Unit (AC Only)

Breaker	IC at 600VAC	Trip Unit	Adjustment	3-Pole, 600VAC Part Number	List Price	4-Pole, 600VAC Part Number	List Price
T7MS	25kA	PR231/P	LS/I	T7MS1200BW		T7MS1200BW-4	
		PR232/P	LSI	T7MS1200CW		T7MS1200CW-4	
		PR331/P	LSIG	T7MS1200EW		T7MS1200EW-4	
		PR332/P	LI	T7MS1200PW		T7MS1200PW-4	
		PR332/P	LSI	T7MS1200RW		T7MS1200RW-4	
		PR332/P	LSIG	T7MS1200SW		T7MS1200SW-4	

T7MH, 1000A Frame, Electronic Trip Unit (AC Only)

Breaker	IC at 600VAC	Trip Unit	Adjustment	3-Pole, 600VAC Part Number	List Price	4-Pole, 600VAC Part Number	List Price
T7MH	50kA	PR231/P	LS/I	T7MH1000BW		T7MH1000BW-4	
		PR232/P	LSI	T7MH1000CW		T7MH1000CW-4	
		PR331/P	LSIG	T7MH1000EW		T7MH1000EW-4	
		PR332/P	LI	T7MH1000PW		T7MH1000PW-4	
		PR232/P	LSI	T7MH1000RW		T7MH1000RW-4	
		PR332/P	LSIG	T7MH1000SW		T7MH1000SW-4	

T7MH-1200A Frame, Electronic Trip Unit (AC Only)

Breaker	IC at 600VAC	Trip Unit	Adjustment	3-Pole, 600VAC Part Number	List Price	4-Pole, 600VAC Part Number	List Price
T7MH	50kA	PR231/P	LS/I	T7MH1200BW		T7MH1200BW-4	
		PR232/P	LSI	T7MH1200CW		T7MH1200CW-4	
		PR331/P	LSIG	T7MH1200EW		T7MH1200EW-4	
		PR332/P	LI	T7MH1200PW		T7MH1200PW-4	
		PR332/P	LSI	T7MH1200RW		T7MH1200RW-4	
		PR332/P	LSIG	T7MH1200SW		T7MH1200SW-4	

T7ML-1000A Frame, Electronic Trip Unit (AC Only)

Breaker	IC at 600VAC	Trip Unit	Adjustment	3-Pole, 600VAC Part Number	List Price	4-Pole, 600VAC Part Number	List Price
T7ML	65kA	PR231/P	LS/I	T7ML1000BW		T7ML1000BW-4	
		PR232/P	LSI	T7ML1000CW		T7ML1000CW-4	
		PR331/P	LSIG	T7ML1000EW		T7ML1000EW-4	
		PR332/P	LI	T7ML1000PW		T7ML1000PW-4	
		PR332/P	LSI	T7ML1000RW		T7ML1000RW-4	
		PR332/P	LSIG	T7ML1000SW		T7ML1000SW-4	

T7ML-1200A Frame, Electronic Trip Unit (AC Only)

Breaker	IC at 600VAC	Trip Unit	Adjustment	3-Pole, 600VAC Part Number	List Price	4-Pole, 600VAC Part Number	List Price
T7ML	65kA	PR231/P	LS/I	T7ML1200BW		T7ML1200BW-4	
		PR232/P	LSI	T7ML1200CW		T7ML1200CW-4	
		PR331/P	LSIG	T7ML1200EW		T7ML1200EW-4	
		PR332/P	LI	T7ML1200PW		T7ML1200PW-4	
		PR332/P	LSI	T7ML1200RW		T7ML1200RW-4	
		PR332/P	LSIG	T7ML1200SW		T7ML1200SW-4	

T7

T7

1000A / 1200A, 600VAC Δ

100% Rated Electronic (AC Only)

T7S-1000A Frame, 100% Rated Electronic Trip Unit (AC Only)

Breaker	IC at 600VAC	Trip Unit	Adjustment	3-Pole, 600VAC Part Number	List Price
T7SQ	25kA	PR231/P	LS/I	T7SQ1000BW	
		PR232/P	LSI	T7SQ1000CW	
		PR331/P	LSIG	T7SQ1000EW	
		PR332/P	LI	T7SQ1000PW	
		PR332/P	LSI	T7SQ1000RW	
		PR332/P	LSIG	T7SQ1000SW	

T7S-1200A Frame, 100% Rated Electronic Trip Unit (AC Only)

Breaker	IC at 600VAC	Trip Unit	Adjustment	3-Pole, 600VAC Part Number	List Price
T7SQ	25kA	PR231/P	LS/I	T7SQ1200BW	
		PR232/P	LSI	T7SQ1200CW	
		PR331/P	LSIG	T7SQ1200EW	
		PR332/P	LI	T7SQ1200PW	
		PR332/P	LSI	T7SQ1200RW	
		PR332/P	LSIG	T7SQ1200SW	

T7H-1000A Frame, 100% Rated Electronic Trip Unit (AC Only)

Breaker	IC at 600VAC	Trip Unit	Adjustment	3-Pole, 600VAC Part Number	List Price
T7HQ	50kA	PR231/P	LS/I	T7HQ1000BW	
		PR232/P	LSI	T7HQ1000CW	
		PR331/P	LSIG	T7HQ1000EW	
		PR332/P	LI	T7HQ1000PW	
		PR332/P	LSI	T7HQ1000RW	
		PR332/P	LSIG	T7HQ1000SW	

T7H-1200A Frame, 100% Rated Electronic Trip Unit (AC Only)

Breaker	IC at 600VAC	Trip Unit	Adjustment	3-Pole, 600VAC Part Number	List Price
T7HQ	50kA	PR231/P	LS/I	T7HQ1200BW	
		PR232/P	LSI	T7HQ1200CW	
		PR331/P	LSIG	T7HQ1200EW	
		PR332/P	LI	T7HQ1200PW	
		PR332/P	LSI	T7HQ1200RW	
		PR332/P	LSIG	T7HQ1200SW	

T7L-1000A Frame, 100% Rated Electronic Trip Unit (AC Only)

Breaker	IC at 600VAC	Trip Unit	Adjustment	3-Pole, 600VAC Part Number	List Price
T7LQ	65kA	PR231/P	LS/I	T7LQ1000BW	
		PR232/P	LSI	T7LQ1000CW	
		PR331/P	LSIG	T7LQ1000EW	
		PR332/P	LI	T7LQ1000PW	
		PR332/P	LSI	T7LQ1000RW	
		PR332/P	LSIG	T7LQ1000SW	

T7L-1200A Frame, 100% Rated Electronic Trip Unit (AC Only)

Breaker	IC at 600VAC	Trip Unit	Adjustment	3-Pole, 600VAC Part Number	List Price
T7LQ	65kA	PR231/P	LS/I	T7LQ1200BW	
		PR232/P	LSI	T7LQ1200CW	
		PR331/P	LSIG	T7LQ1200EW	
		PR332/P	LI	T7LQ1200PW	
		PR332/P	LSI	T7LQ1200RW	
		PR332/P	LSIG	T7LQ1200SW	

T7M

1000A / 1200A, 600VAC Δ

100% Rated Electronic (AC Only)

T7MS-1000A Frame, 100% Rated Electronic Trip Unit (AC Only)

Breaker	IC at 600VAC	Trip Unit	Adjustment	3-Pole, 600VAC Part Number	List Price
T7MSQ	25kA	PR231/P	LS/I	T7MSQ1000BW	
		PR232/P	LSI	T7MSQ1000CW	
		PR331/P	LSIG	T7MSQ1000EW	
		PR332/P	LI	T7MSQ1000PW	
		PR332/P	LSI	T7MSQ1000RW	
		PR332/P	LSIG	T7MSQ1000SW	

T7MS-1200A Frame, 100% Rated Electronic Trip Unit (AC Only)

Breaker	IC at 600VAC	Trip Unit	Adjustment	3-Pole, 600VAC Part Number	List Price
T7MSQ	25kA	PR231/P	LS/I	T7MSQ1200BW	
		PR232/P	LSI	T7MSQ1200CW	
		PR331/P	LSIG	T7MSQ1200EW	
		PR332/P	LI	T7MSQ1200PW	
		PR332/P	LSI	T7MSQ1200RW	
		PR332/P	LSIG	T7MSQ1200SW	

T7MH-1000A Frame, 100% Rated Electronic Trip Unit (AC Only)

Breaker	IC at 600VAC	Trip Unit	Adjustment	3-Pole, 600VAC Part Number	List Price
T7MHQ	50kA	PR231/P	LS/I	T7MHQ1000BW	
		PR232/P	LSI	T7MHQ1000CW	
		PR331/P	LSIG	T7MHQ1000EW	
		PR332/P	LI	T7MHQ1000PW	
		PR332/P	LSI	T7MHQ1000RW	
		PR332/P	LSIG	T7MHQ1000SW	

T7MH-1200A Frame, 100% Rated Electronic Trip Unit (AC Only)

Breaker	IC at 600VAC	Trip Unit	Adjustment	3-Pole, 600VAC Part Number	List Price
T7MHQ	50kA	PR231/P	LS/I	T7MHQ1200BW	
		PR232/P	LSI	T7MHQ1200CW	
		PR331/P	LSIG	T7MHQ1200EW	
		PR332/P	LI	T7MHQ1200PW	
		PR332/P	LSI	T7MHQ1200RW	
		PR332/P	LSIG	T7MHQ1200SW	

T7ML-1000A Frame, 100% Rated Electronic Trip Unit (AC Only)

Breaker	IC at 600VAC	Trip Unit	Adjustment	3-Pole, 600VAC Part Number	List Price
T7MLQ	65kA	PR231/P	LS/I	T7MLQ1000BW	
		PR232/P	LSI	T7MLQ1000CW	
		PR331/P	LSIG	T7MLQ1000EW	
		PR332/P	LI	T7MLQ1000PW	
		PR332/P	LSI	T7MLQ1000RW	
		PR332/P	LSIG	T7MLQ1000SW	

T7ML-1200A Frame, 100% Rated Electronic Trip Unit (AC Only)

Breaker	IC at 600VAC	Trip Unit	Adjustment	3-Pole, 600VAC Part Number	List Price
T7MLQ	65kA	PR231/P	LS/I	T7MLQ1200BW	
		PR232/P	LSI	T7MLQ1200CW	
		PR331/P	LSIG	T7MLQ1200EW	
		PR332/P	LI	T7MLQ1200PW	
		PR332/P	LSI	T7MLQ1200RW	
		PR332/P	LSIG	T7MLQ1200SW	

T7**T7-T7M**

1000A / 1200A, 600VAC Δ

MCP (Instantaneous Only), Molded Case Switch

T7-1000/1200A Frame, Motor Control Protection (MCP) Electronic Trip Unit (AC Only)

Breaker	IC at 600VAC	Amps	Trip Unit	3-Pole, 600VAC Part Number	List Price
T7	25kA	1000	PR231/P-I	T7S1000MW	
	50kA	1000	PR231/P-I	T7H1000MW	
	65kA	1000	PR231/P-I	T7L1000MW	
	25kA	1200	PR231/P-I	T7S1200MW	
	50kA	1200	PR231/P-I	T7H1200MW	
	65kA	1200	PR231/P-I	T7L1200MW	

T7M-1000/1200A Frame, Motor Control Protection (MCP) Electronic Trip Unit (AC Only)

Breaker	IC at 600VAC	Amps	Trip Unit	3-Pole, 600VAC Part Number	List Price
T7M	25kA	1000	PR231/P-I	T7MS1000MW	
	50kA	1000	PR231/P-I	T7MH1000MW	
	65kA	1000	PR231/P-I	T7ML1000MW	
	25kA	1200	PR231/P-I	T7MS1200MW	
	50kA	1200	PR231/P-I	T7MH1200MW	
	65kA	1200	PR231/P-I	T7ML1200MW	

T7/T7M-1200A Frame, Molded Case Switch (AC Only)

Breaker	IC at 600VAC	Amps	Magnetic Trip	3-Pole, 600VAC Part Number	List Price	4-Pole, 600VAC Part Number	List Price
T7	50kA	1200	12000	T7H1200DW		T7H1200DW-4	
T7M	50kA	1200	12000	T7MH1200DW		T7MH1200DW-4	

T7-T7M

1000A / 1200A, 600VAC Δ

Accessories



T7 X1 Shunt trip - UVR

Shunt Trips (YO)

Frame Size	Voltage	Part Number	List Price
T7 - T7M	415-440VAC	KT7XS1	
	380-400VAC	KT7XS2	
	240-250VAC/DC	KT7XS3	
	220-240VAC/DC	KT7XS4	
	120-127VAC/DC	KT7XS5	
	110-120VAC/DC	KT7XS6	
	60VAC/DC	KT7XS7	
	48VAC/DC	KT7XS8	
	30VAC/DC	KT7XS9	
	24VAC/DC	KT7XS0	

Undervoltage Release - (UVR)

Frame Size	Voltage	Part Number	List Price
T7 - T7M	415-440VAC	KT7XU1	
	380-400VAC	KT7XU2	
	240-250VAC/DC	KT7XU3	
	220-240VAC/DC	KT7XU4	
	120-127VAC/DC	KT7XU5	
	110-120VAC/DC	KT7XU6	
	60VAC/DC	KT7XU7	
	48VAC/DC	KT7XU8	
	30VAC/DC	KT7XU9	
	24VAC/DC	KT7XU0	

Shunt Closing Release (YC)

Frame Size	Voltage	Part Number	List Price
T7M	415-440VAC	KT7MXC1	
	380-400VAC	KT7MXC2	
	240-250VAC/DC	KT7MXC3	
	220-240VAC/DC	KT7MXC4	
	120-127VAC/DC	KT7MXC5	
	110-120VAC/DC	KT7MXC6	
	60VAC/DC	KT7MXC7	
	48VAC/DC	KT7MXC8	
	30VAC/DC	KT7MXC9	
	24VAC/DC	KT7MXC0	

Auxiliary Contacts - (AUX)

Frame Size	Type / Voltage	Part Number	List Price
T7-T7M	1 AUX "C" + 1 BA "C" 400VAC	KT7AS ⁽¹⁾	
	2 AUX "C" 400VAC	KT7XAS2	
	1 AUX "C" + 1 BA "C" 24VDC	KT7ASL ⁽¹⁾	
	2 AUX "C" 24VDC	KT7XAS2L	
	1 S51"C" 250VAC	KT7XS51 ⁽²⁾	
	1 S51"C" 250VAC	KT7S51 ⁽¹⁾	

Possible combinations are:

T7: a) 1 Aux + 1BA b) 2 Aux,
c) 3 Aux + 1BA
T7M: a) 2 Aux , b) 4 Aux

Spring Charging Motor (M)

Frame Size	Type / Voltage	Part Number	List Price
T7M	380...415VAC	KT7MXM2	
	220...250VAC/DC	KT7MXM3	
	100/130VAC/DC	KT7MXM5	
	48...60VAC/DC	KT7MXM7	
	24...30VAC/DC	KT7MXM9	

(1) For installation on T7 only
(2) For installation on T7M only

T7-T7M

1000A / 1200A, 600VAC Δ

Accessories

Standard Cable Terminal ⁽¹⁾

Frame	Wire Size	Part Number (set of 3)	List Price	Part Number (set of 4)	List Price
T7-T7M 1	(4) 4/0-500 kcmil	KT7X1200-3		KT7X1200-4	

(1) Comes standard with high profile terminal covers.

Terminal Covers for Fixed Breakers - Low Profile-Kit Includes Two Pieces

Frame	Part Number (3-Pole)	List Price	Part Number (4-Pole)	List Price
T7-T7M	KT7XLTC-3		KT7XLTC-4	

Terminal Covers for Fixed Breakers - High Profile-Kit Includes Two Pieces

Frame	Part Number (3-Pole)	List Price	Part Number (4-Pole)	List Price
T7-T7M	KT7XHTC-3		KT7XHTC-4	

Phase Barriers - Low Profile - 100mm - 3.93 in

Frame	Part Number (3-Pole)	List Price	Part Number (4-Pole)	List Price
T7-T7M	KT7PBL-3		KT7PBL-4	

Phase Barriers - High Profile - 200mm - 7.87 in

Frame	Part Number (3-Pole)	List Price	Part Number (4-Pole)	List Price
T7-T7M	KT7PBH-3		KT7PBH-4	

Extended Front Terminals - IEC

Frame	Part Number (3-Pole)	List Price	Part Number (4-Pole)	List Price
T7-T7M	KT7EF-3		KT7EF-4	

Rear Terminals - IEC

Frame	Part Number (set of 3)	List Price	Part Number (set of 4)	List Price
T7-T7M	KT7XR-3		KT7XR-4	

Variable Depth Handle Operators

Frame	Mechanism Part Number	List Price	Shaft Part Number	List Price	Handle Part Number	List Price
T7	KT7VD-M		OXF10X500 (19.7")		OHB175J10X OHY175J10 OHB175L10	
			KT7VD-S (19.7")		KT7VD-H	

Direct Mount Rotary Operator Handle

Frame	Breaker Mounting	Part Number	List Price
T7	Fixed, Plug-In	KT7RH	

Early Make Contact

Frame	Part Number	List Price
T7	KT7EM	

Padlock Locking Device

Frame	Style	Locking Position	Breaker Mounting	Part Number	List Price
T7	PLL	OPEN	Fixed, Drawout	KT7LDO	
T7M	PLL	OPEN	Fixed, Draw-out	KT7MLDO	

Keylocks for the Rotary Handle Mechanism

Frame	Style	Locking Position	Keys	Part Number	List Price
T7	KLF-D	OPEN	Different	KT7KLFD	
	KLF-S	OPEN	Same key # 20005	KT7KLFS-20005	
	KLF-S	OPEN	Same key # 20006	KT7KLFS-20006	
	KLF-S	OPEN	Same key # 20007	KT7KLFS-20007	
	KLF-S	OPEN	Same key # 20008	KT7KLFS-20008	

Keylocks on the Circuit-Breaker

Frame	Style	Locking Position	Keys	Part Number	List Price
T7	KLF-D	OPEN	Different	KT7KLCD	
	KLF-S	OPEN	Same key # 20005	KT7KLCS-20005	
	KLF-S	OPEN	Same key # 20006	KT7KLCS-20006	
	KLF-S	OPEN	Same key # 20007	KT7KLCS-20007	
	KLF-S	OPEN	Same key # 20008	KT7KLCS-20008	
T7M	KLF-D	OPEN	Different	KT7MKLCD	
	KLF-S	OPEN	Same key # 20005	KT7MKLCS-20005	
	KLF-S	OPEN	Same key # 20006	KT7MKLCS-20006	
	KLF-S	OPEN	Same key # 20007	KT7MKLCS-20007	
	KLF-S	OPEN	Same key # 20008	KT7MKLCS-20008	

T7-T7M

1000A / 1200A, 600VAC Δ

Accessories

Draw-Out Kits

Item	Part Number Adaptor Moving Part	List Price	Part Number Fixed Part	List Price
T7 - 3 pole with RC-RC	KT7WMK		KT7WFRC	
T7 - 4 pole with RC-RC	KT7WMK-4		KT7WFRC-4	

Sliding Contact Blocks — T7-Draw-Out ⁽¹⁾

Item	Moving Part Breaker	List Price	Fixed Part Cradle	List Price
Left Block Spring charging motor Spring charged contact Ready to close contact Early auxiliary contact Contact for trip coil release trip Trip rest	KT7XSCMP-L		KT7SCFP-L (T7) KT7MXSCFP-L (T7M)	
Center Block PR331 PR332	KT7XSCMP-C		KT7XSCFP-C	
Right Block Auxiliary contacts Shunt trip Closing Coil Undervoltage release	KT7XSCMP-R		KT7XSCFP-R	

Position Key Lock (Fixed Part) — T7 - T7M

Item	Part Number	List Price
Different key	KT7XPL-D	
Same key #20005	KT7XPL-20005	
Same key #20006	KT7XPL-20006	
Same key #20007	KT7XPL-20007	
Same key #20008	KT7XPL-20008	

Locks drawout breaker in racked-in / test isolation / racked-out position.

Position Key Lock Accessory (Fixed Part) — T7 - T7M

Item	Part Number	List Price
Key lock accessory	KT7XPLA	

Accessory added to position key lock allows breaker to be locked in racked-out position only.

Mechanical Interlocks

Item	Part Number	List Price
T7 ⁽²⁾ Cable T7 Mech. interlock plate-fixed Mech. interlock plate-draw-out	KT7XMLC KT7XMLPW KT7XMLPF	

Neutral Current Transformers (Required for 4-Wire Ground Fault System)

Frame	Part Number	List Price
T7	400...1200A KT7XNCT1200	

Rating Plugs

Frame	Rating Plug	Part Number	List Price
T7	400A 600A 800A 1000A 1200A	KT70400RP KT70600RP KT70800RP KT71000RP KT71200RP	

Mechanical Accessories

Item	Part Number	List Price
Flange T7	KT7XFCD	
Mech. operation counter	KT7XEMC	
IP54 door cover	KT7XDC	

(1) If at least one of the accessories in table is installed on the breaker - respective pair of contact blocks must be installed on the fixed part (cradle) and the moving part. (breaker)

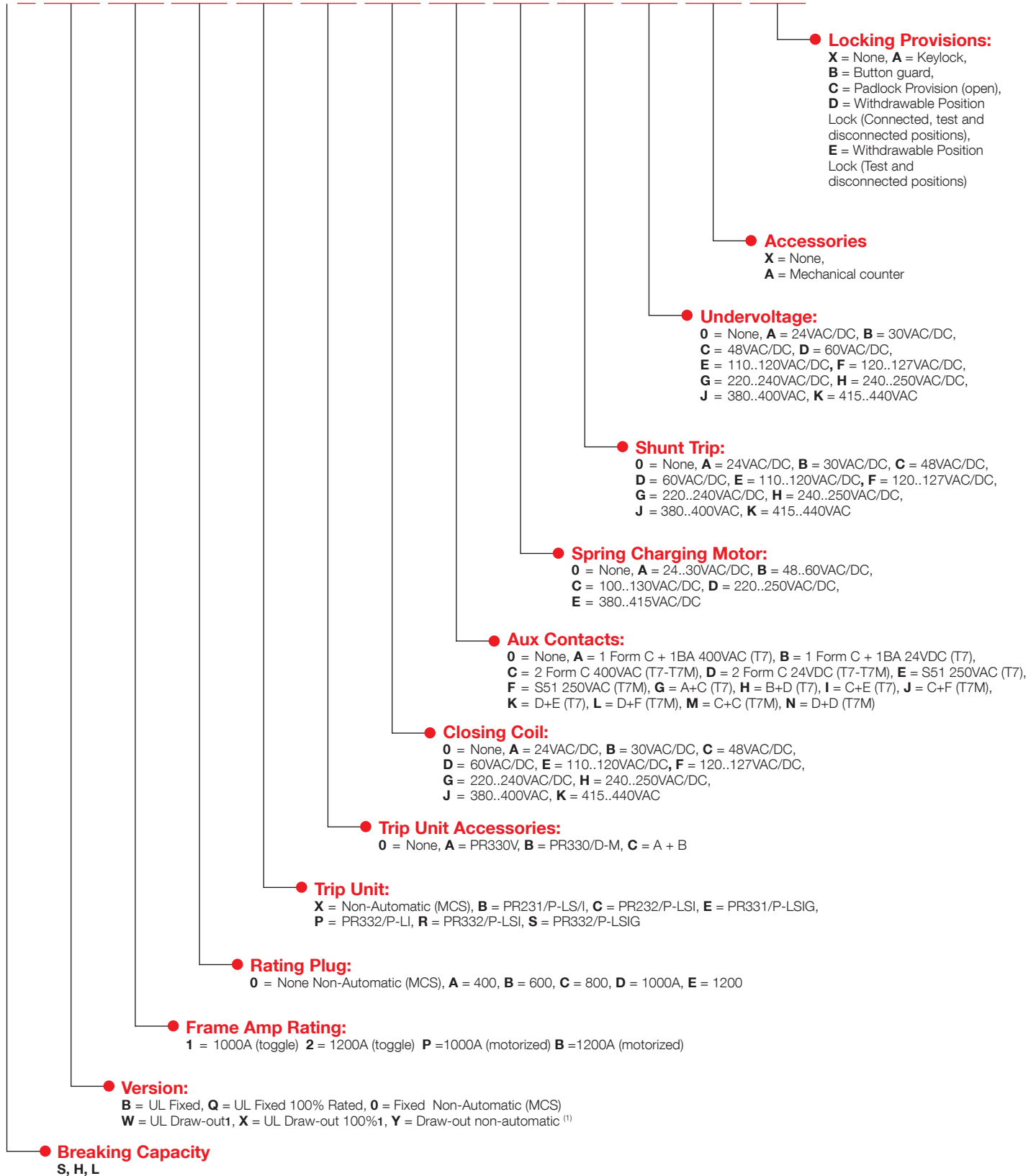
(2) To interlock two circuit breakers, you have to order a cable kit and two plates.

T7 / T7M

1000A / 1200A, 600VAC Δ

Part-Numbering System

T7



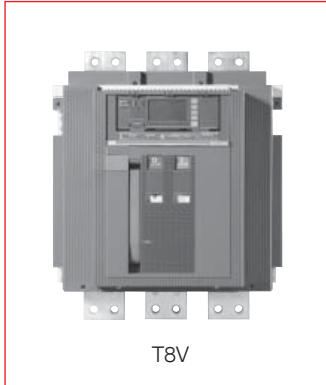
(1) Fixed part and accessories to be ordered separately

T8V

1600A / 2000A / 2500A / 3000A

Insulated Case Circuit Breaker

T8



T8V

Dimensions 3P Version: 15.00" H x 16.8" W x 11.2"D
Weight 161 (lbs) 1600A/2000A/2500A
 236 (lbs) 3000A

The Tmax family, conforming to the UL489 and CSA C22.2 No. 5.0 Standards, is enriched with the TmaxT8 size, which allows 3000 A to be reached. Also available in the 1600A, 2000A and 2500A frames, Tmax T8 is equipped with the same electronic trip units as Tmax T7 thereby guaranteeing extremely high performances able to satisfy all installation requirements. Tmax T8 is able to interrupt the following short-circuit currents: 125kA@480VAC and 100kA@600 VAC.

- Available in 3 and 4 pole versions
- Four different frame ratings, 1600, 2000, 2500 & 3000 Amps
- Available 100% rated version up to 3000A
- Installation in vertical position only
- Wide range of CSA/UL field-installable accessories
- Solid state trip unit available in three different versions:
 - PR331/P-LSI
 - PR331/P-LSIG
 - PR332/P-LI (LCD display)
 - PR332/P-LSI (LCD display)
 - PR332/P-LSIG (LCD display)
- The ability to add internal modules for flexible and precise configuration:
 - Optional modules includes:
 - Voltage module
 - Signaling module
 - Communications module

UL489 / CSA C22.2 Interrupting Capacity (kA RMS)

Voltage	V
240VAC	125
480VAC	125
600VAC	100

IEC 60947-2 Interrupting Capacity (kA RMS)

Voltage	V
230VAC	130
415VAC	130
440VAC	130
500VAC	100
600VAC	80

T8

T8V

1600A / 2000A / 2500A / 3000A, 600VAC Δ
Electronic (AC Only)

T8-1600A Frame, Electronic Trip Unit (AC Only)

Breaker	IC at 600VAC	Trip Unit	Adjustment	3-Pole, 600VAC Part Number	List Price	4-Pole, 600VAC Part Number	List Price
T8V	100kA	PR331/P	LSI	T8V16CW		T8V16CW-4	
		PR331/P	LSIG	T8V16EW		T8V16EW-4	
		PR332/P	LI	T8V16PW		T8V16PW-4	
		PR332/P	LSI	T8V16RW		T8V16RW-4	
		PR332/P	LSIG	T8V16SW		T8V16SW-4	

T8-2000A Frame, Electronic Trip Unit (AC Only)

Breaker	IC at 600VAC	Trip Unit	Adjustment	3-Pole, 600VAC Part Number	List Price	4-Pole, 600VAC Part Number	List Price
T8V	100kA	PR331/P	LSI	T8V20CW		T8V20CW-4	
		PR331/P	LSIG	T8V20EW		T8V20EW-4	
		PR332/P	LI	T8V20PW		T8V20PW-4	
		PR332/P	LSI	T8V20RW		T8V20RW-4	
		PR332/P	LSIG	T8V20SW		T8V20SW-4	

T8-2500A Frame, Electronic Trip Unit (AC Only)

Breaker	IC at 600VAC	Trip Unit	Adjustment	3-Pole, 600VAC Part Number	List Price	4-Pole, 600VAC Part Number	List Price
T8V	100kA	PR331/P	LSI	T8V25CW		T8V25CW-4	
		PR331/P	LSIG	T8V25EW		T8V25EW-4	
		PR332/P	LI	T8V25PW		T8V25PW-4	
		PR332/P	LSI	T8V25RW		T8V25RW-4	
		PR332/P	LSIG	T8V25SW		T8V25SW-4	

T8-3000A Frame, Electronic Trip Unit (AC Only)¹

Breaker	IC at 600VAC	Trip Unit	Adjustment	3-Pole, 600VAC Part Number	List Price	4-Pole, 600VAC Part Number	List Price
T8V	100kA	PR331/P	LSI	T8V30CW		T8V30CW-4	
		PR331/P	LSIG	T8V30EW		T8V30EW-4	
		PR332/P	LI	T8V30PW		T8V30PW-4	
		PR332/P	LSI	T8V30RW		T8V30RW-4	
		PR332/P	LSIG	T8V30SW		T8V30SW-4	

T8-3000A Frame, Molded Case Switch (AC Only)¹

Breaker	Rating	Magnetic Override	3-Pole, 600VAC Part Number	List Price	4-Pole, 600VAC Part Number	List Price
T8V-D	2000A	4000A	T8V20DW		T8V20DW-4	
	2500A		T8V25DW		T8V25DW-4	
	3000A (1)		T8V30DW		T8V30DW-4	

(1) Vertical terminals only

T8V

1600A / 2000A / 2500A / 3000A, 600VAC Δ
100% Rated Electronic (AC Only)

T8

T8-1600A Frame, 100% Rated Electronic Trip Unit (AC Only)

Breaker	IC at 600VAC	Trip Unit	Adjustment	3-Pole, 600VAC Part Number	List Price
T8VQ	100kA	PR331/P	LSI	T8VQ16CW	
		PR331/P	LSIG	T8VQ16EW	
		PR332/P	LI	T8VQ16PW	
		PR332/P	LSI	T8VQ16RW	
		PR332/P	LSIG	T8VQ16SW	

T8-2000A Frame, 100% Rated Electronic Trip Unit (AC Only)

Breaker	IC at 600VAC	Trip Unit	Adjustment	3-Pole, 600VAC Part Number	List Price
T8VQ	100kA	PR331/P	LSI	T8VQ20CW	
		PR331/P	LSIG	T8VQ20EW	
		PR332/P	LI	T8VQ20PW	
		PR332/P	LSI	T8VQ20RW	
		PR332/P	LSIG	T8VQ20SW	

T8-2500A Frame, 100% Rated Electronic Trip Unit (AC Only)

Breaker	IC at 600VAC	Trip Unit	Adjustment	3-Pole, 600VAC Part Number	List Price
T8VQ	100kA	PR331/P	LSI	T8VQ25CW	
		PR331/P	LSIG	T8VQ25EW	
		PR332/P	LI	T8VQ25PW	
		PR332/P	LSI	T8VQ25RW	
		PR332/P	LSIG	T8VQ25SW	

Note: vertical terminals only

T8-3000A Frame, 100% Rated Electronic Trip Unit (AC Only)

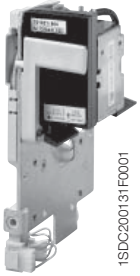
Breaker	IC at 600VAC	Trip Unit	Adjustment	3-Pole, 600VAC Part Number	List Price
T8VQ	100kA	PR331/P	LSI	T8VQ30CW	
		PR331/P	LSIG	T8VQ30EW	
		PR332/P	LI	T8VQ30PW	
		PR332/P	LSI	T8VQ30RW	
		PR332/P	LSIG	T8VQ30SW	

Note: vertical terminals only

T8V

1600A / 2000A / 2500A / 3000A, 600VAC Δ

Accessories



1SDC200131F0001

Shunt Trips (YO) and Closing Coils (YC)

Frame Size	Voltage	YO Part Number	List Price	YC Part Number	List Price
T8	24VDC	KT8ES0		KT8EC0	
	30VAC/DC	KT8ES9		KT8EC9	
	48VAC/DC	KT8ES8		KT8EC8	
	60VAC/DC	KT8ES7		KT8EC7	
	110/120VAC/DC	KT8ES6		KT8EC6	
	120/127VAC/DC	KT8ES5		KT8EC5	
	220/240VAC/DC	KT8ES4		KT8EC4	
	250VAC/DC	KT8ES3		KT8EC3	
	380/400VAC	KT8ES2		KT8EC2	
	440/480VAC	KT8ES1		KT8EC1	

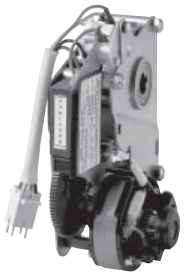


1SDC200132F0001

Undervoltage Release (UVR) or Additional Shunt Trip (YO2)

Frame Size	Voltage	YO Part Number	List Price	YC Part Number	List Price
T8	24VDC	KT8EU0		KT8ES0-2	
	30VAC/DC	KT8EU9		KT8ES9-2	
	48VAC/DC	KT8EU8		KT8ES8-2	
	60VAC/DC	KT8EU7		KT8ES7-2	
	110/120VAC/DC	KT8EU6		KT8ES6-2	
	120/127VAC/DC	KT8EU5		KT8ES5-2	
	220/240VAC/DC	KT8EU4		KT8ES4-2	
	250VAC/DC	KT8EU3		KT8ES3-2	
	380/400VAC	KT8EU2		KT8ES2-2	
	440/480VAC	KT8EU1		KT8ES1-2	

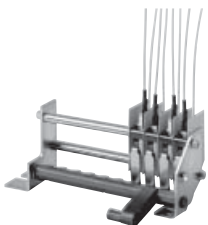
Note: UVR and YO2 are mutually exclusive (only one device can be installed)



1SDC200139F0001

Stored Energy Motor (M)

Frame Size	Voltage	Part Number	List Price
T8	24/30VAC/DC	KT8EM9	
	48/60VAC/DC	KT8EM7	
	100/130VAC/DC	KT8EM5	
	220/250VAC/DC	KT8EM3	



1SDC200145F0001

Signaling Contacts

Frame Size	Voltage	Part Number	List Price
T8	4 aux. cont. open/close PR331	KT8AS4	
	4 aux. cont. open/close PR332	KT8AS4-332	
	4 aux. cont. open/close for PR232-331 (low power <24V)	KT8AS4L	
	4 aux. cont. open/close for PR332 (low power <24V)	KT8AS4L-332	
	BA - bell alarm contact (1 form "c")	KT8ETBA	
	BA + remote reset 24...30VAC/DC	KT8ETBAR9	
	BA + remote reset 110...130VAC/DC	KT8ETBAR5	
	BA + remote reset 220...240VAC/DC	KT8ETBAR4	
	UVR de-energized contact - NC	KT8EUE10	
	UVR de-energized contact - NO	KT8EUE01	

Note: 4 aux. cont. open/close supplied as standard with PR332 trip unit

T8V

1600A / 2000A / 2500A / 3000A, 600VAC Δ

Accessories

T8



Locking Devices

Frame Size	Description	Part Number	List Price
T8	Key lock open position - different keys	KT8KL-D	
	Key lock open position - same key no. 20005	KT8KL-20005	
	Key lock open position - same key no. 20006	KT8KL-20006	
	Key lock open position - same key no. 20007	KT8KL-20007	
	Key lock open position - same key no. 20008	KT8KL-20008	
	Padlock device in open position	KT8EPD1	
	Padlock device in open position (HD)	KT8EPDHD1	
	Pushbuttons protection	KT8EPG	

Note: KT8EPD1/KT8EPDHD1 are mutually exclusive with KT8EPG

Connection Accessories

Frame Size	Description	Part Number	List Price
T8	Cable terminals 1600A (1/0 - 750MCM) - kit of 3	K8TL	
	Cable terminals 2500A (1/0 - 750MCM) - kit of 3	K8TM	
	Rear T terminal (2500A max.) - kit of 6	KT8VR2500	
	Rear T terminal (2500A max.) - kit of 8	KT8VR2500-4	

Note: K8TL/K8TM requires the installation of KT8PBH-3

Mechanical Accessories

Frame Size	Description	Part Number	List Price
T8	Door flange	KT8FCD	
	IP54 protection cover (NEMA 3S/13)	KT8EDC	
	Separating partition low PB100 3 pole - 2pcs	KT8PBL-3	
	Separating partition low PB100 4 pole - 3pcs	KT8PBL-4	
	Separating partition high PB200 3 pole - 2pcs	KT8PBH-3	
	Separating partition high PB200 4 pole - 2pcs	KT8PBH-4	
	Mechanical operation counter	KT8EMC	

Accessories for Trip Units

Frame Size	Description	Part Number	List Price
T8	Rating plug In=1000A	KT81000RP	
	Rating plug In=1200A	KT81200RP	
	Rating plug In=1600A	KT81600RP	
	Rating plug In=2000A	KT82000RP	
	Rating plug In=2500A	KT82500RP	
	Rating plug In=3000A	KT83000RP	
	PR330/V for PR332/P 3 pole (voltage measurement)	KT8PR330V-3	
	PR330/V for PR332/P 4 pole (voltage measurement)	KT8PR330V-4	
	PR330/D-M for PR332/P (MODBUS RTU communication)	KT8330DMOD	
	PR030B - Battery power supply unit	KT8EPR030B	

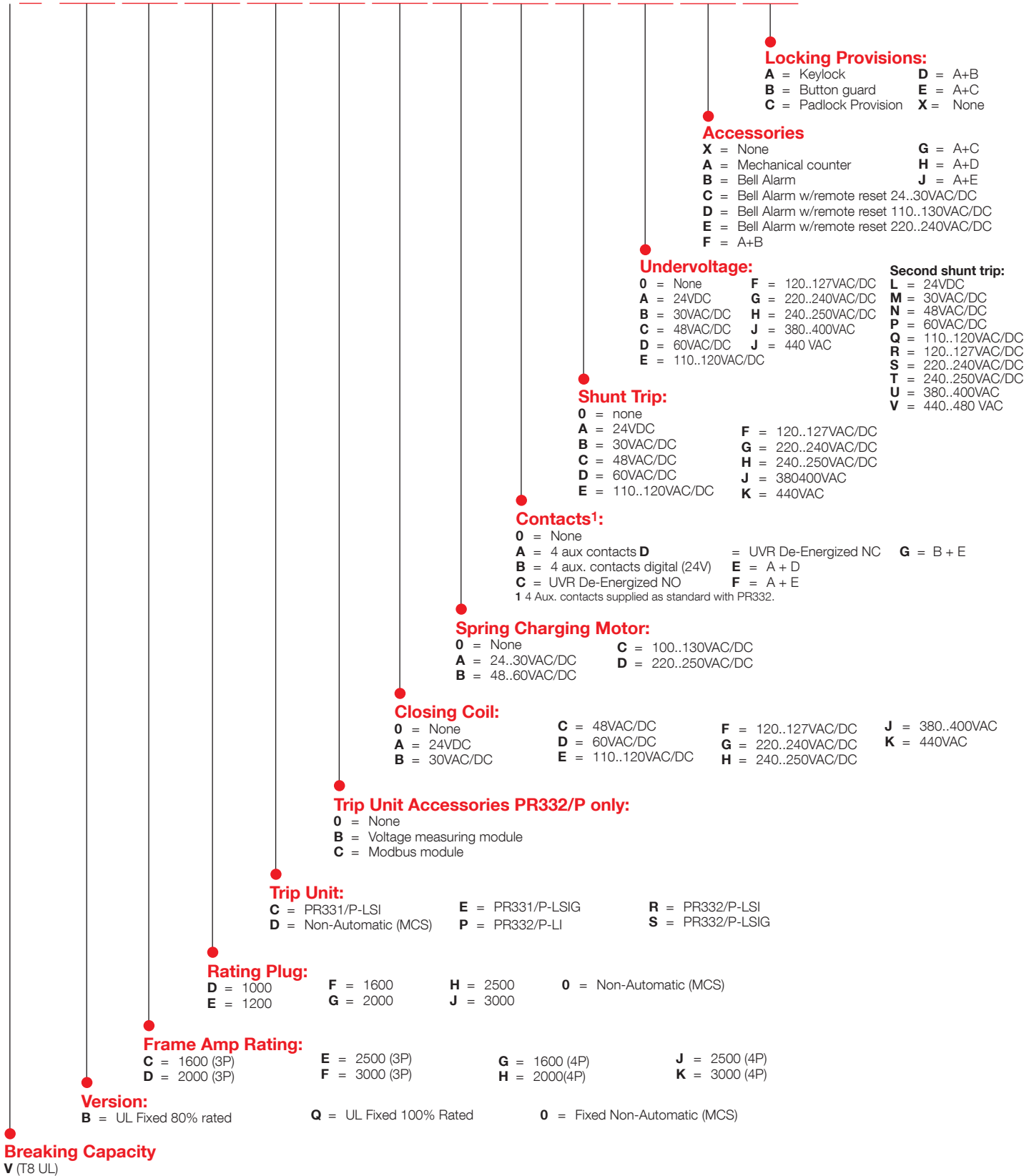
Current Sensor for External Neutral

Frame Size	Description	Part Number	List Price
T8	Current sensor neutral In=1000-3000A	KT8NCT-3000	

T8V

1600A / 2000A / 2500A / 3000A, 600VAC Δ
Part-Numbering System

T8V

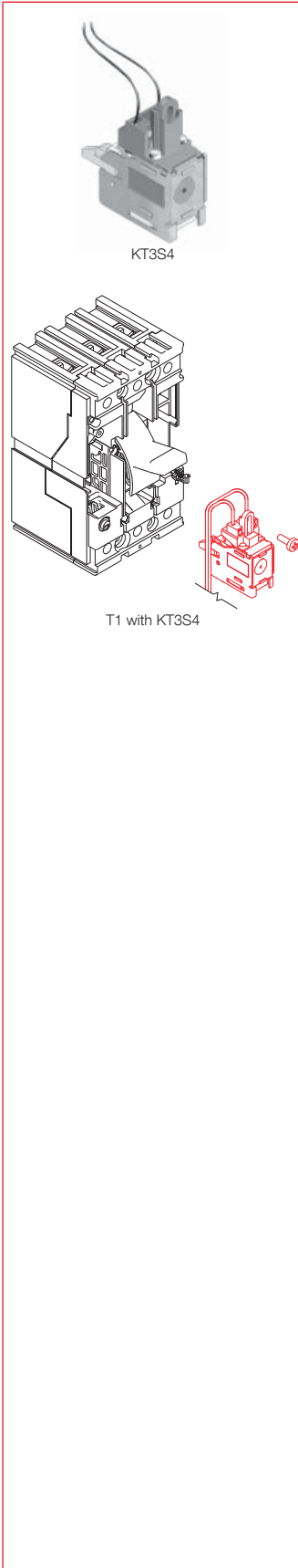


Accessories

Electrical

T1-T6

Acc.



Shunt Trips (Standard)⁽¹⁾

For remote opening of circuit breaker. Guaranteed operation for a voltage of between 75-110% of the rated power supply voltage. T1-T6 mounts in the left hand cavity cannot be used with UVR on 2-3P breakers

Frame Size	Voltage	Factory Installation ⁽¹⁾		Field Installation	
		Part Number Suffix	List Price Adder	Part Number	List Price
T1-T2-T3	480 - 500VAC	S1		KT3S1	
	220-250VAC/DC	S2		KT3S2	
	380 - 440VAC	S3		KT3S3	
	110 - 125VAC/DC	S4		KT3S4	
	48 - 60VAC/DC	S7		KT3S7	
	24 - 30VAC/DC	S8		KT3S8	
Ts3	12VDC	S9		KT3S9	
	480VAC/250VDC	S1		KTs3S1	
	240 VAC	S2		KTs3S2	
	120VAC/125VDC	S4		KTs3S4	
	48VDC	S7		KTs3S7	
T4-T5-T6	24VAC/VDC	S8		KTs3S8	
	12VDC	S9		KTs3S9	
	480-500VAC	S1		KT6S1	
	220/250VAC/DC	S2		KT6S2	
	380-440VAC	S3		KT6S3	
	110-125VAC/DC	S4		KT6S4	
	48-60VAC/DC	S7		KT6S7	
	24VAC/DC	S8		KT6S8	
	12VDC	S9		KT6S9	

Shunt Trips (Permanent Supply)⁽¹⁾

For remote opening of circuit breaker. Guaranteed operation for a voltage of between 75-110% of the rated power supply voltage. These shunt trips have much lower power consumption.

Frame Size	Voltage	Factory Installation ⁽¹⁾		Field Installation	
		Part Number Suffix	List Price Adder	Part Number	List Price
Ts3	24VDC	SA		KTs3SP4	
	120VAC	SB		KTs3SP8	
T4-T5-T6	24-30VDC	SP4		KT6SP4	
	110/120/VAC	SP8		KT6SP8	

Shunt Trip Connector (Required for Ts3) ⁽²⁾

Ts3	Fixed Mount	Not required for factory installed	KTs3C-SU	
	Draw-out	Not required for factory installed	KTs3C-SUP	

(1) Add suffix to circuit breaker part number. See p.4 for more details.

(2) Must be ordered separately for field installation.

Accessories

Electrical

T1-T6



KT3U2

Undervoltage Release - UVR

Will trip circuit breaker when connected voltage drops to 35-70% of the undervoltage release voltage rating. Will allow circuit breaker to close when voltage is approximately 85% of the rated voltage. T1-T6 mounts in the left hand cavity cannot be used with shunt trip on 2-3P breakers

Frame Size	Voltage	Factory Installation ⁽¹⁾		Field Installation	
		Part Number Suffix	List Price Adder	Part Number	List Price
T1-T2-T3	480 - 500VAC	U1		KT3U1	
	220-250VAC/DC	U2		KT3U2	
	380 - 440VAC	U3		KT3U3	
	110 - 125VAC/DC	U4		KT3U4	
	60VAC/DC	U5		KT3U5	
	48VAC/DC	U7		KT3U7	
	24 - 30VAC/DC	U8		KT3U8	
	Ts3	480VAC	U1		KTs3U1
240VAC		U2		KTs3U2	
24VAC		U3		KTs3U3	
120VAC		U4		KTs3U4	
250VDC		U5		KTs3U5	
125VDC		U6		KTs3U6	
48VDC		U7		KTs3U7	
24VDC		U8		KTs3U8	
T4-T5-T6	480-500VAC	U1		KT6U1	
	220/250VAC/DC	U2		KT6U2	
	380-440VAC	U3		KT6U3	
	110-125VAC/DC	U4		KT6U4	
	60VAC/DC	U5		KT6U5	
	48VAC/DC	U7		KT6U7	
	24VAC/DC	U8		KT6U8	

Undervoltage Trip Connector (Required for Ts3) ⁽²⁾

Ts3	Fixed Mount	Not required for factory installed	KTs3C-SU	
	Plug-In/Draw-out	Not required for factory installed	KTs3C-SUP	

(1) Add suffix to circuit breaker part number. See p.4 for more details.

(2) Must be ordered separately for field installation.

Accessories

Electrical

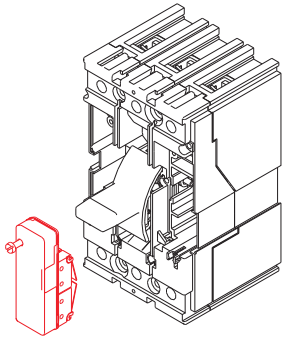
T1-T6

Acc.

Auxiliary Contacts - AUX ⁽¹⁾

Auxiliary contacts are for indication of the circuit breaker open-closed. Bell alarm contacts (BA) can be used to indicate circuit breaker tripped.

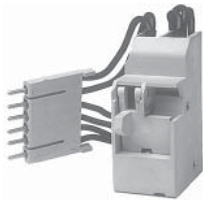
Frame Size		Factory Installation		Field Installation	
		Part Number Suffix	List Price Adder	Part Number	List Price
T1-T2-T3 ⁽²⁾	1 AUX "C" + 1 BA "C" 250VAC/DC	A		KT3AS	
	3 AUX "C" + 1 BA "C" 250VAC/DC	A3		KT3AS3	
T2 ⁽³⁾	2 AUX "C" + 1 BA "C" PR221DS	AE		KT2AS-E	
	1 AUX "C" + 1 BA "C" + 1S51 "C" PR221DS	AE2		KT2AS-E2	
Ts3	2 AUX "C" 250VAC/DC	A		KTs3AS	
	1 AUX "C" + 1 BA "C" 250VAC/DC	BA		KTs3BA	
T4-T5-T6	1 AUX "C" + 1 BA "C" 250VAC/DC	A		KT6AS	
	2 AUX "C" 400VAC	A2		KT6AS2	
	3 AUX "C" + 1 BA "C" 250VAC/DC	A3		KT6AS3	
	3 AUX "C" + 1 BA "C" 24VDC	A3L		KT6AS3L	



T1 with K3TAS

Auxiliary Contact Connector (Required for Ts3) ⁽⁴⁾

Frame Size	Configuration	Factory Installation	Field Installation
Ts3	Fixed Plug-In /Drawout	Not required for factory install Not required for factory installed	C-AB KTs3C-ABP



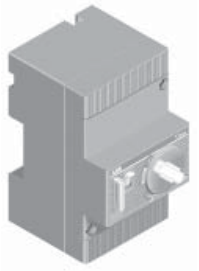
KTs3AS

(1) Add suffix to circuit breaker part number. See p.4 for more details.
 (2) Not compatible for T2 with PR221DS trip unit.
 (3) For installation on T2 with PR221DS electronic trip unit
 (4) Must be ordered separately for field installation.

Accessories

Motor Operators

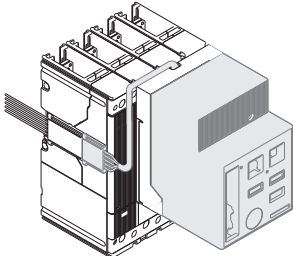
T1-T6



KT3M1



KT5M2



KT5M2



KTS3M2

Electrical Operators

Allows remote opening and closing of circuit breaker

Frame Size	Voltage	Part Number	List Price
------------	---------	-------------	------------

Solenoid Operator

T1-T2-T3	48 - 60VDC	KT3M1	
	110 - 250VAC/DC	KT3M2	

Direct Action Motor Operator

Ts3	240VAC/250VDC	KTs3M2	
	120VAC/125VDC	KTs3M4	
	48VDC	KTs3M7	
	24VDC	KTs3M8	

Motor Operator Connector (Required for Ts3) ⁽¹⁾

Ts3	Fixed Mount Plug-In / Draw-out	KTS3C-M KTS3C-MP	
-----	-----------------------------------	---------------------	--

Stored Energy Motor Operator

T4-T5	220-250VAC/DC	KT5M2	
	110--125-VAC/DC	KT5M4	
	48-60VDC	KT5M7	
	24VDC	KT5M8	
	380VAC	KT5M3	

Stored Energy Motor Operator

T6	220-250VAC/DC	KT6M2	
	110--125-VAC/DC	KT6M4	
	48-60VDC	KT6M7	
	24VDC	KT6M8	
	380VAC	KT6M3	

Stored Energy Motor With Communication (IEC)

T4-T5	220-250VAC/DC	KT5M2-E	
	380VAC	KT5M3-E	
	110-125VAC/DC	KT5M4-E	
	48-60VDC	KT5M7-E	
	24VDC	KT5M8-E	
T6	220-250VAC/DC	KT6M2-E	
	380VAC	KT6M3-E	
	110-125VAC/DC	KT6M4-E	
	48-60VDC	KT6M7-E	
	24VDC	KT6M8-E	

Dry Contact for Remote/Manual Operation

T4-T5-T6	-	KT6MA	
----------	---	-------	--

(1) Must be ordered separately for field installation

Accessories

Trip Units

Acc.



KT5FDU

Neutral Current Transformers (Required for 4-Wire Ground Fault Systems)

Frame Size		Part Number	List Price
T4	100A	KT4NCT-100	
	150A	KT4NCT-150	
	250A	KT4NCT-250	
T5	300A	KT5NCT-300	
	400A	KT5NCT-400	
	600A	KT5NCT-600	
T6	600A	KT6NCT-600	
	800A	KT6NCT-800	

Note: X4 connector required for T4 - T5 - T6

Connector for PR22DS

T4-T5-T6	Fixed Circuit-Breaker		Plug-in or Draw-Out Circuit-Breaker	
	Part Number	List Price	Part Number	List Price
X3 Connector	KT6CX3		KT6CX3-P	
X4 Connector	KT6CX4		KT6CX4-P	

Front Display Unit

	Used with High Profile Cover	List Price
T4-T5 with PR22DS/P or PR222DS/PD	KT5FDU	
T6 with PR22DS/P or PR222DS/PD	KT6FDU	

Technical Data

Shunt Trips/Undervoltages

Standard Shunt Trip

Voltage	Inrush Power Consumption							
	T1, T2, T3		Ts3		T4, T5, T6		T7	
	AC (VA)	DC (W)	AC (VA)	DC (W)	AC (VA)	DC (W)	AC (VA)	DC (W)
12 VDC	-	50	-	120	-	150	-	-
24 VAC/DC	-	-	100	100 or 4 ⁽¹⁾	-	-	300	300
24...30 VAC/DC	50	50	-	-	150	150	-	-
30 VAC/DC	-	-	-	-	-	-	300	300
48 VAC/DC	-	-	-	120	-	-	300	300
48...60 VAC/DC	60	60	-	-	150	150	-	-
60 VAC/DC	-	-	-	-	-	-	300	300
100...120 VAC/DC	-	-	100 or 4 ⁽¹⁾	-	-	-	300	300
120...127 VAC/DC	-	-	-	-	-	-	300	300
110...127 VAC 110...125 VDC	50	50	-	120	150	150	-	-
220...240 VAC/DC	-	-	-	-	-	-	300	300
220...240 VAC 220...250 VDC	50	50	100	120	150	150	-	-
240...250 VAC/DC	-	-	-	-	-	-	300	300
380...400 VAC	-	-	-	-	-	-	300	-
380...440 VAC	55	-	-	-	150	-	-	-
415...440 VAC	-	-	-	-	-	-	300	-
480 VAC	-	-	100	-	-	-	-	-
480...525 VAC	55	-	-	-	150	-	-	-
Opening Time (ms)	15	15	≤15	≤15	15	15	20	20

Permanent Supply Shunt Trip

Voltage	T4, T5, T6	
	AC (VA)	DC (W)
24 VAC/DC	4	4
100...120 VAC	4	-

Undervoltage

Voltage	Power Consumption During Permanent Operation							
	T1, T2, T3		Ts3		T4, T5, T6		T7	
	AC (VA)	DC (W)	AC (VA)	DC (W)	AC (VA)	DC (W)	AC (VA)	DC (W)
24 VAC/DC	-	-	6	3	-	-	3.5	3.5
24...30 VAC/DC	1.5	1.5	-	-	6	3	-	-
30 VAC/DC	-	-	-	-	-	-	3.5	3.5
48 VAC/DC	1	1	6	3	6	3	-	-
60 VAV/DC	1	1	-	-	6	3	-	-
110...120 VAC/DC	-	-	6	-	-	-	3.5	3.5
120...127 VAC/DC	-	-	-	-	-	-	3.5	3.5
110...127 VAC 110...125 VDC	2	2	-	-	6	3	-	-
220...240 VAC/DC	-	-	-	-	-	-	3.5	3.5
220...240 VAC 220...250 VDC	2.5	2.5	-	3	6	3	-	-
220...250 VAC	-	-	6	-	-	-	-	-
240...250 VAC/DC	-	-	-	-	-	-	3.5	3.5
380...400 VAC	-	-	-	-	-	-	3.5	-
380...440 VAC	3	-	-	-	6	-	-	-
415 - 440 VAC	-	-	-	-	-	-	3.5	-
480...525 VAC	4	-	-	-	6	-	-	-
480 VAC	-	-	6	-	-	-	-	-
Opening Time (ms)	15	15	≤18	≤18	≤25	≤25	≤25	≤25

(1) Shunt trip permanent supply

Technical Data

Electrical Operators

Acc.

Electrical Operator, T1-T3

Rated Voltage		AC	DC
		-	48...60
		110...250	110...250
Operating Voltage		85...110% Un	
Inrush power absorption during operation		1800 (VA)	1000 (W)
Power on stand by		< 100 (mW)	
Time	opening (s)	< 0.1	
	closing (s)	< 0.1	
Minimum control impulse time on opening and closing (ms)		>100	

This unit is permanently supplied on stand by, a control is applied by means of external contact in a low power circuit.

Contact characteristics: Voltage AC/DC=24V
Current 50 mA

Electrical Operator, Ts3

Rated Voltage		AC	DC
		-	24
		-	48...60
		120	125
		240	250
		440	-
Operating Voltage		85...110 % Un	
Inrush power absorption		500 (VA)	500 (W)
Service power absorption		350 (VA)	350 (W)
Time constant (ms)		18	
Duration	opening (s)	0.1	
	closing (s)	0.1	
Minimum duration of the opening and closing command impulse (ms)		≥150	

Electrical Operator, T4-T5

Voltage		AC	DC
		-	24
		-	48...60
		110...125	110...125
		220-250	220-250
		380	-
Operating Voltage		85...110%	
Inrush power consumption		≤ 300VA	≤ 300W
In service power consumption		≤150VA	≤150W
Duration	opening (s)	1.5	
	closing (s)	< 0.1	
	resetting (s)	3	
Minimum duration of the opening and closing command impulse (ms)		≥100	

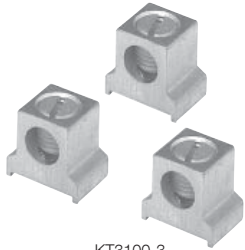
Electrical Operator, T6

Voltage		AC	DC
		-	24
		-	48...60
		110-125	110-125
		220-250	220-250
		380	-
Operating Voltage		85...110%	
Inrush power consumption		≤ 400VA	≤ 400W
In service power consumption		≤150VA	≤150W
Duration	opening (s)	3	
	closing (s)	< 0.1	
	resetting (s)	5	
Minimum duration of the opening and closing command impulse (ms)		≥100	

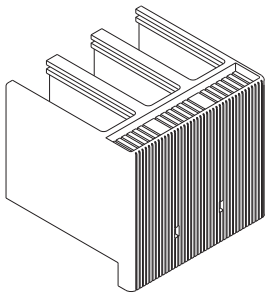
Accessories

Mechanical

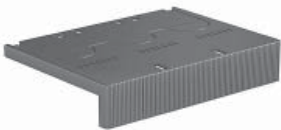
T1-T6



KT3100-3



KT1HTC-3



KT4LTC-3

Standard Cable Terminal

Frame	Wire Size	Part Number (set of 3)	List Price	Part Number (set of 4)	List Price
T1	100A (14 AWG-1/0)	Integral		Integral	
T2	100A (14 AWG-1/0)	KT2100-3		KT2100-4	
T3	100A (14 AWG - 1/0 kcmil) 225A (4 AWG - 350 kcmil)	KT3100-3 KT3225-3		KT3100-4 KT3225-4	
Ts3	100A (14 AWG - 1/0 kcmil) 150A (2 AWG - 4/0 kcmil) 225A (4 AWG - 300 kcmil)	KTs3100-3 KTs3150-3 KTs3225-3		— — —	
T4	100A (14 AWG - 1/0 kcmil) 250A (6 AWG - 350 kcmil)	KT4100-3 KT4250-3		KT4100-4 KT4250-4	
T5	300A (250 kcmil - 500 kcmil)	KT5300-3		KT5300-4	
T5 ⁽¹⁾	400A (2x 3/0 - 2x 250 kcmil)	KT5400-3		KT5400-4	
T5	600A (2x 3/0 - 2x 500 kcmil)	KT5600-3		—	
T6	600A (2x 250 - 2x 500 kcmil)	KT6600-3		—	
T6 ⁽¹⁾	800A (3x 2/0 - 3x 400 kcmil)	KT6800-3		—	

Note: for power control tap lugs, please consult your local ABB office

Terminal Cover Seals

Frame	Part Number (3-Pole)	List Price
T1 - T2 - T3 - T4 - T5	KT5LC-S	

Terminal Covers for Fixed Breakers - Low Profile-Kit (kit of 2)

Frame	Part Number (3-Pole)	List Price	Part Number (4-Pole)	List Price
T1	KT1LTC-3		KT1LTC-4	
T2	KT2LTC-3		KT2LTC-4	
T3	KT3LTC-3		KT3LTC-4	
Ts3	KTs3LTC-3		KTs3LTC-4	
T4	KT4LTC-3		KT4LTC-4	
T5	KT5LTC-3		KT5LTC-4	
T6	KT6LTC-3		KT6LTC-4	

Terminal Covers for Fixed Breakers - High Profile-Kit (kit of 2)

Frame	Part Number (3-Pole)	List Price	Part Number (4-Pole)	List Price
T1	KT1HTC-3		KT1HTC-4	
T2	KT2HTC-3		KT2HTC-4	
T3	KT3HTC-3		KT3HTC-4	
Ts3	KTs3HTC-3		KTs3HTC-4	
T4	KT4HTC-3		KT4HTC-4	
T5	KT5HTC-3		KT5HTC-4	
T6	KT6HTC-3		KT6HTC-4	

Terminal Cover Fixed Part of CB (Kit of 2)

Frame	Part Number (3-Pole)	List Price	Part Number (4-Pole)	List Price
Ts3	KTs3TCFP-3		KTs3TCFP-4	
T4	KT4TCFP-3		KT4TCFP-4	
T5	KT5TCFP-3		KT5TCFP-4	

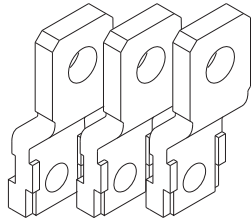
(1) Comes standard with high profile terminal covers.

Accessories

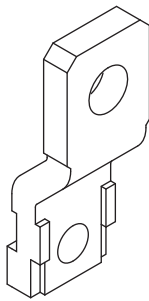
Mechanical

T1-T6

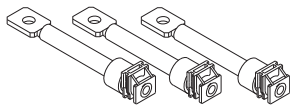
Acc.



KT2EF-3



KT4EF



KT2R-3

Phase Barriers - Low Profile 100mm - 3.93 in

Frame	Part Number (set of 4)	List Price	Part Number (set of 6)	List Price
T1-T3	KT3PBL-3		KT3PBL-4	
T4-T5	KT5PBL-3		KT5PBL-4	
T6	KT6PBL-3		KT6PBL-4	

Phase barriers - High Profile 200mm - 7.87 in

Frame	Part Number (set of 4)	List Price	Part Number (set of 6)	List Price
T1-T3	KT3PBH-3		KT3PBH-4	
T4-T5	KT5PBH-3		KT5PBH-4	

Saddle Terminals for Copper Cables - IEC

Frame	Part Number (set of 3)	List Price	Part Number (set of 4)	List Price
T2	KT2100S-3		KT2100S-4	
T3	KT3225S-3		KT3225S-4	
Ts3	K4TES		K4TES-4	
T4	KT4250S-3		KT4250S-4	
T5	KT5300S-3		KT5300S-4	

Extended Front Terminals - IEC

Frame	Part Number (set of 3)	List Price	Part Number (set of 4)	List Price
T2	KT2EF-3		KT2EF-4	
T3	KT3EF-3		KT3EF-4	
Ts3	KTs3EF-3		KTs3EF-4	
T4	KT4EF		KT4EF-4	
T5	KT5EF		KT5EF-4	
T6	KT6EF-3		KT6EF-4	

Rear Terminals - IEC

Frame	Part Number (set of 3)	List Price	Part Number (set of 4)	List Price
T2	KT2R-3		KT2R-4	
T3	KT3R-3		KT3R-4	
T4	KT4R-3		KT4R-4	
T5	KT5R-3		KT5R-4	
T6	KT6R-3		KT6R-4	

(1) Includes high profile terminal cover.

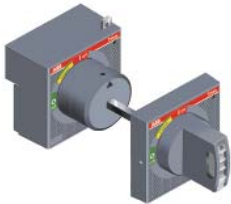
Accessories

Mechanical T1-T6

Locking Devices and Handle Operators



OHB65J6



KT5VD-M, KT5VD-S, KT5VD-H



KT5RH

Variable Depth Handle Operators

Frame	NEMA Rating	Mechanism Part Number	List Price	Shaft Part Number	List Price	Handle Part Number	List Price
T1-T2-T3	1, 3R, 12	KT3VD-M		OSP6X430 (16.9")		OHB65J6 OHY65J6	
	4, 4X			KT3VD-S (11.8")		KT3VD-H	
Ts3	1, 3R, 12	KTs3VD-M		OSP10X500 (19.7")		OHB125J10X	
	4, 4X			KTs3VD-S (20")		KTs3VD-H	
T4-T5	1, 3R, 12	KT5VD-M		OSP10X500 (19.7")		OHB125J10X	
	4, 4X			KT5VD-S (19.7")		KT5VD-H	
T6	1, 3R, 12	KT6VD-M		OSP10X500 (19.7")		OHB125J10X	
	4, 4X			KT5VD-S (19.7")		KT6VD-H	
	1						

Note: Discount schedule DS-H applies for part-numbers starting with OH and OX

Direct Mount Rotary

Frame	Breaker Mounting	Part Number	List Price
T1-T2-T3	Fixed, Plug-In	KT3RH	
Ts3	Fixed, Plug-In	KTs3RH	
Ts3	Draw-Out	KTs3RHW	
T4-T5	Fixed, Plug-In	KT5RH	
T4-T5	Draw-Out	KT5RHW	
T6	Fixed, Plug-In	KT6RH	
T6	Draw-Out	KT6RHW	

Early Make Contact

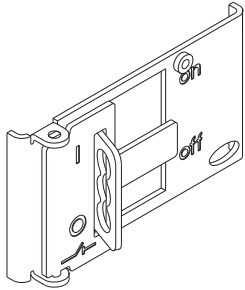
Frame	Part Number	List Price
T2-T3	KT3EM	
T4-T5	KT5EM	
T6	KT6EM	

Accessories

Mechanical T1-T6

Locking Devices and Handle Operators

Acc.



KT3LD



KT5KL-D

Padlock Locking Device

Frame	Style	Locking Position	Breaker Mounting	Part Number	List Price
T1-T2-T3	PLL	OPEN/CLOSED OPEN	Fixed	KT3LD KT3LDO	
Ts3	FLD	OPEN	Fixed, Plug-In Draw-Out	KTs3FLD KTs3LDW	
T4-T5	FLD	OPEN	Fixed, Plug-In Draw-out	KT5FLD KT5FLDW	
T6	FLD	OPEN	Fixed, Plug-In Draw-out	KT6FLD KT6FLDW	

Keylocks for the Rotary Handle Mechanism

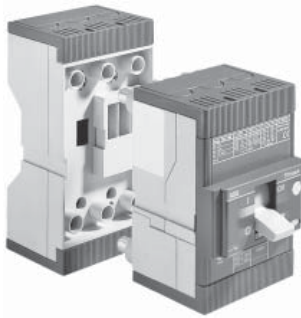
Frame	Style	Locking Position	Keys	Part Number	List Price
T1-T2-T3	RHL	OPEN/CLOSED	Different	KT3RHL3	
Ts3	-	OPEN	Different Same	KTs3KLFD KTs3KLFD-2	
T4-T5	KLF-D	OPEN	Different	KT5KL-D	
	KLF-S	OPEN	Same key # 20005	KT5KL-20005	
	KLF-S	OPEN	Same key # 20006	KT5KL-20006	
	KLF-S	OPEN	Same key # 20007	KT5KL-20007	
	KLF-S	OPEN	Same key # 20008	KT5KL-20008	
T6	KLF-D	OPEN	Different	KT6KLFD	
	KLF-S	OPEN	Same key # 20005	KT6KLFS-20005	
	KLF-S	OPEN	Same key # 20006	KT6KLFS-20006	
	KLF-S	OPEN	Same key # 20007	KT6KLFS-20007	
	KLF-S	OPEN	Same key # 20008	KT6KLFS-20008	

Keylocks for the Motor Operator

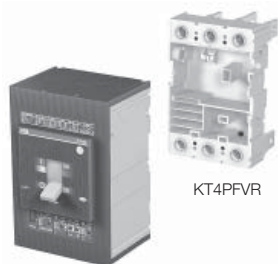
Frame	Style	Locking Position	Keys	Part Number	List Price
T4-T5	MOL-D	OPEN	Different	KT5KL-MO-D	
	MOL-S	OPEN	Same key # 20005	KT5KL-MO-20005	
	MOL-S	OPEN	Same key # 20006	KT5KL-MO-20006	
	MOL-S	OPEN	Same key # 20007	KT5KL-MO-20007	
	MOL-S	OPEN	Same key # 20008	KT5KL-MO-20008	
T6	MOL-D	OPEN	Different	KT6KL-MO-D	
	MOL-S	OPEN	Same key # 20005	KT6KL-MO-20005	
	MOL-S	OPEN	Same key # 20006	KT6KL-MO-20006	
	MOL-S	OPEN	Same key # 20007	KT6KL-MO-20007	
	MOL-S	OPEN	Same key # 20008	KT6KL-MO-20008	

Accessories

Mechanical T1-T6



KT2PFF + KT2PMK (on back of breaker) + breaker



KT4PMK (on back of breaker)

Plug-In Kits ⁽¹⁾

Frame	Part Number Adapter Moving Part	List Price	Part Number Fixed Part	List Price
T2 - 3 pole with front terminals	KT2PMK		KT2PFF	
T2 - 4 pole with front terminals	KT2PMK-4		KT2PFF-4	
T3 - 3 pole with front terminals	KT3PMK		KT3PFF	
T3 - 4 pole with front terminals	KT3PMK-4		KT3PFF-4	
Ts3 - 3 pole with extended front terminals			KTs3PFF	
Ts3 - 3 pole with rear terminals	KTs3PMK		KTs3PFR	
Ts3 - 4 pole with extended front terminals			KTs3PFF-4	
Ts3 - 4 pole with rear terminals	KTs3PMK-4		KTs3PFR-4	
T4 - 3 pole with extended front terminals			KT4PFEF	
T4 - 3 pole with rear horizontal terminals	KT4PMK		KT4PFHR	
T4 - 3 pole with rear vertical terminals			KT4PFVR	
T4 - 3 pole with extended front terminals			KT4PFEF-4	
T4 - 3 pole with rear horizontal terminals	KT4PMK-4		KT4PFHR-4	
T4 - 3 pole with rear vertical terminals			KT4PFVR-4	
T5 400A - 3 pole with extended front terminals			KT5PFEF	
T5 400A - 3 pole with rear horizontal terminals	KT5PMK		KT5PFHR	
T5 400A - 3 pole with rear vertical terminals			KT5PFVR	
T5 400A - 4 pole with extended front terminals			KT5PFEF-4	
T5 400A - 4 pole with rear horizontal terminals	KT5PMK-4		KT5PFHR-4	
T5 400A - 4 pole with rear vertical terminals			KT5PFVR-4	
T5 600A - 3 pole with extended front terminals			KT5PFEF6	
T5 600A - 3 pole with rear horizontal terminals	KT5PMK6		KT5PFHR6	
T5 600A - 3 pole with rear vertical terminals			KT5PFVR6	
T5 600A - 4 pole with extended front terminals			KT5PFEF6-4	
T5 600A - 4 pole with rear horizontal terminals	KT5PMK6-4		KT56PFHR6-4	
T5 600A - 4 pole with rear vertical terminals			KT56PFVR6-4	

Plug Connectors, T2-T3 ⁽¹⁾

Required when adding accessories to plug-in breakers

Plug Connector	Part Number	List Price
Shunt trip or UVR	KT3PC-3	
1 form C plus 1 BA	KT3PC-6	
3 form C plus 1 BA	KT3PC-12	

Adaptors, T4-T5-T6 ⁽¹⁾

Required when adding accessories to plug-in or drawout breakers

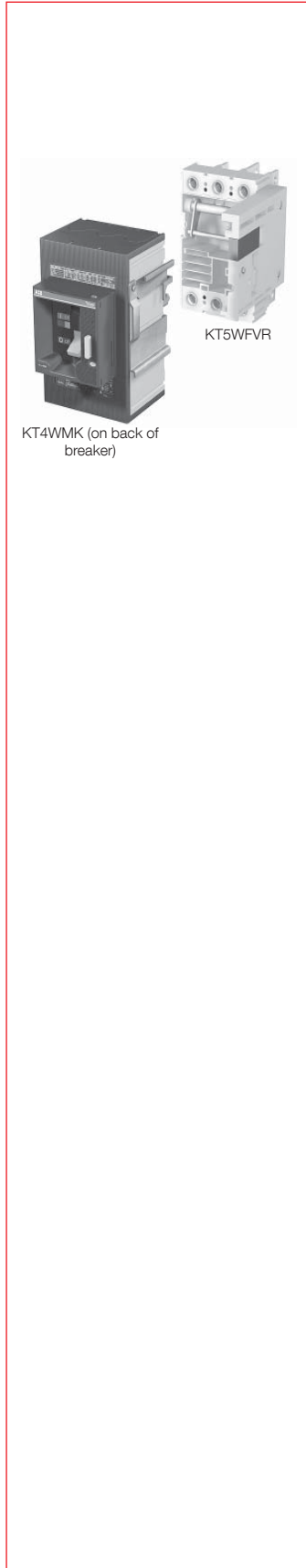
Adaptors	Part Number	List Price
1 form C plus 1 BA	KT6ADP-6	
Shunt trip/UVR	KT6ADP-5	
Stored energy operator	KT6ADP-10	
Stored energy operator plus shunt trip/UVR	KT6ADP-10	
3 form C plus 1BA	KT6ADP-12	

⁽¹⁾ Plug connectors (T2-T3), adaptors (T4-T5-T6), required when adding accessories to plug-in breakers.

Accessories

Mechanical T1-T6

Acc.



Draw-Out Kits

Item	Part Number Adaptor Moving Part	List Price	Part Number Fixed Part	List Price
TS3 - 3 pole with front terminals	KTs3WMK		KTs3WFF	
TS3 - 3 pole with front cable terminals			KTs3WFC	
TS3 - 3 pole with rear terminals			KTs3WFR	
TS3 - 4 pole with front terminals	KTs3WMK-4		KTs3WFF-4	
TS3 - 4 pole with front cable terminals			KTs3WFC-4	
TS3 - 4 pole with rear terminals			KTs3WFR-4	
T4 - 3 pole with extended front terminals	KT4WMK		KT4WFEF	
T4 - 3 pole with rear horizontal terminals			KT4WFHR	
T4 - 3 pole with rear vertical terminals			KT4WFVR	
T4 - 4 pole with extended front terminals	KT4WMK-4		KT4WFEF-4	
T4 - 4 pole with rear horizontal terminals			KT4WFHR-4	
T4 - 4 pole with rear vertical terminals			KT4WFVR-4	
T5 - 400A 3 pole with extended front terminals	KT5WMK		KT5WFEF	
T5 - 400A 3 pole with rear horizontal terminals			KT5WFHR	
T5 - 400A 3 pole with rear vertical terminals			KT5WFVR	
T5 - 400A 4 pole with front extended terminals	KT5WMK-4		KT5WFEF-4	
T5 - 400A 4 pole with rear horizontal terminals			KT5WFHR-4	
T5 - 400A 4 pole with rear vertical terminals			KT5WFVR-4	
T5 - 600A 3 pole with extended front terminals	KT5WMK6		KT5WFEF6	
T5 - 600A 3 pole with rear horizontal terminals			KT5WFHR6	
T5 - 600A 3 pole with rear vertical terminals			KT5WFVR6	
T5 - 600A 4 pole with extended front terminals	KT5WMK6-4		KT5WFEF6-4	
T5 - 600A 4 pole with rear horizontal terminals			KT5WFHR6-4	
T5 - 600A 4 pole with rear vertical terminals			KT5WFVR6-4	
T6 - 800A 3 pole with extended front terminals	KT6WMK		KT6WFEF	
T6 - 800A 3 pole with rear horizontal terminals			KT6WFHR	
T6 - 800A 3 pole with rear vertical terminals			KT6WFVR	
T6 - 800A 4 pole with extended front terminals	KT6WMK-4		KT6WFEF-4	
T6 - 800A 4 pole with rear horizontal terminals			KT6WFHR-4	
T6 - 800A 4 pole with rear vertical terminals			KT6WFVR-4	

Adaptors — T4-T5-T6 ⁽¹⁾

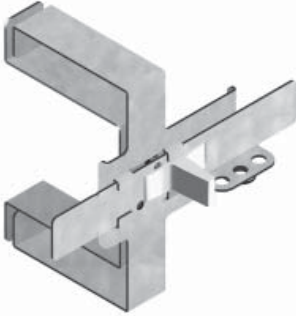
Required when adding accessories to plug-in or drawout breakers

Adaptors	Part Number	List Price
1 form C plus 1 BA	KT6ADP-6	
Shunt trip/UVR	KT6ADP-5	
Stored energy operator	KT6ADP-10	
Stored energy operator plus shunt trip/UVR	KT6ADP-10	
3 form C plus 1BA	KT6ADP-12	

(1) Adaptors (T4-T5-T6), required when adding accessories to draw-out breakers.

Accessories

Mechanical T1-T6



KT3MIF2



KT5FCD

DIN Rail Adapters

Item	Part Number	List Price
T1/T2 (mounts on 35 mm DIN rail 15mm high)	KT2DIN	
T3 (mounts on 35mm DIN rail 15mm high)	KT3DIN	
Ts3 (mounts on 75 mm DIN rail)	KTs3DMB	

Mechanical Interlocks

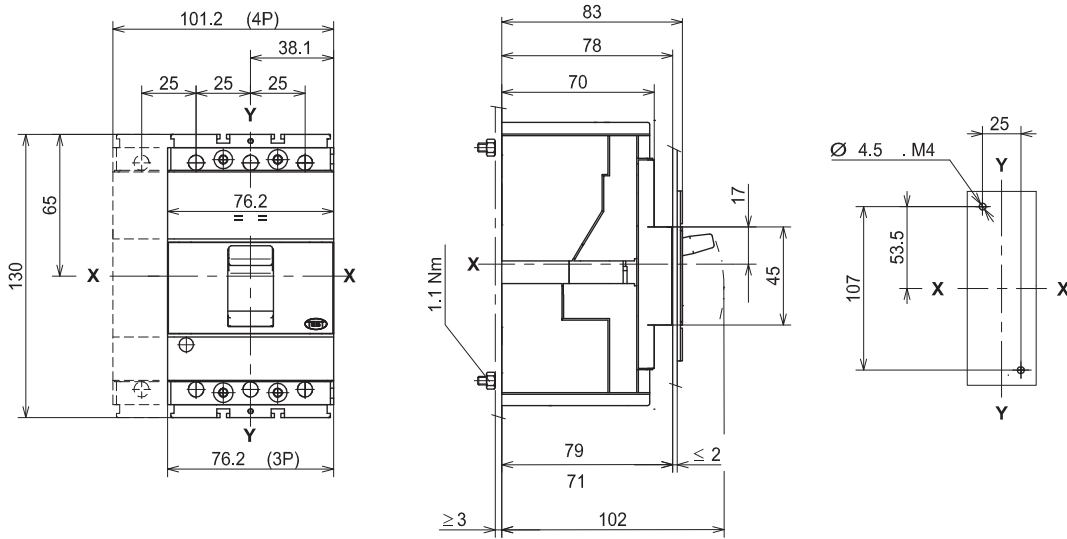
T1-T2-T3		Part Number	List Price
Sliding bar interlock-front mounted (2 Breakers)		KT3MIF2	
Sliding bar interlock-front mounted (3 Breakers)		KT3MIF3	
T3			
Rear Interlock-horizontal		KT3MI-H	
Rear Interlock-vertical		KT3MI-V	
Ts3			
Horizontal		KTs3MI-H	
Vertical		KTs3MI-V	
T4-T5 ⁽¹⁾			
Interlock frame			
Mechanical Interlock frame-horizontal		KT5MI-H	
Mechanical Interlock frame-vertical		KT5MI-V	
Plate type			
A	T4 (F-P-W) T4 (F-P-W)	KT5MIP-A	
B	T4 (F-P-W) T5 400 (F-P-W) OR T5 600 (F)	KT5MIP-B	
C	T4 (F-P-W) T5 600 (P-W)	KT5MIP-C	
D	T5 (F-P-W) T5 400 (F-P-W) OR 630 (F)	KT5MIP-D	
E	T5 (F-P-W) T5 600 (P-W)	KT5MIP-E	
F	T5v (F-P-W) T5 600 (P-W)	KT5MIP-F	
T6			
Horizontal		KT6MI-H	
Vertical		KT6MI-V	
Flange			
T1-T2-T3		KT3FCD	
T4-T5		KT5FCD	
T6		KT6FCD	

(1) T4-T5 Complete assembly consists of one interlock frame and one plate.

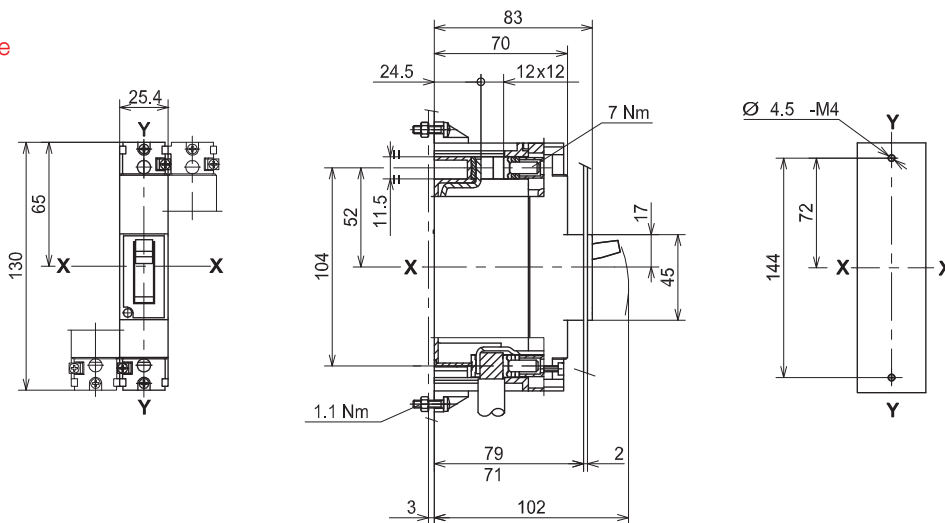
Approximate Dimensions T1 & T2

Dim.

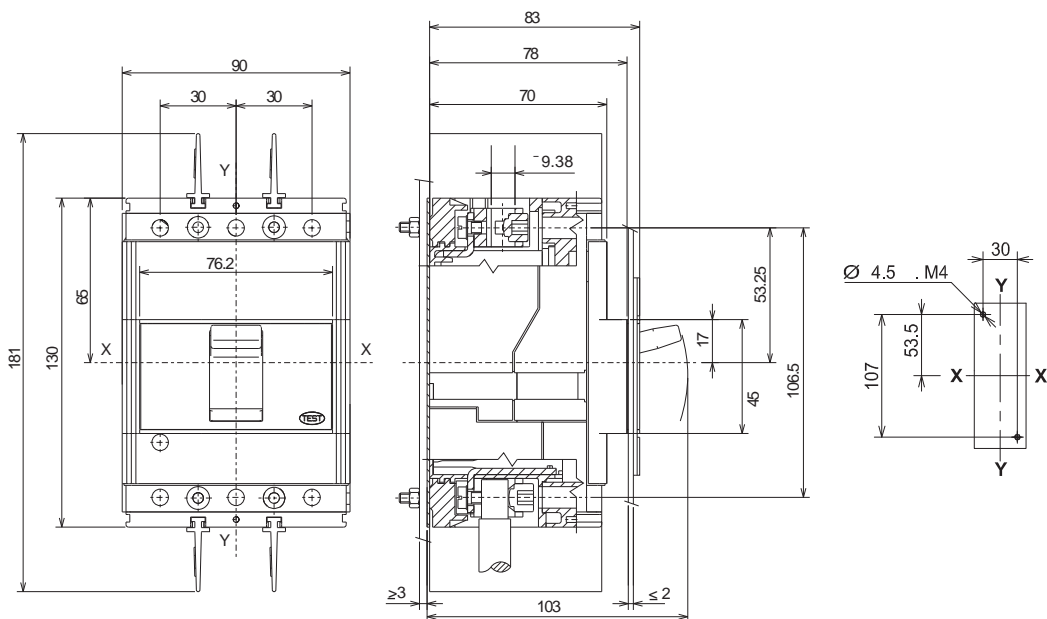
T1 – 3-Pole



T1 – Single Pole



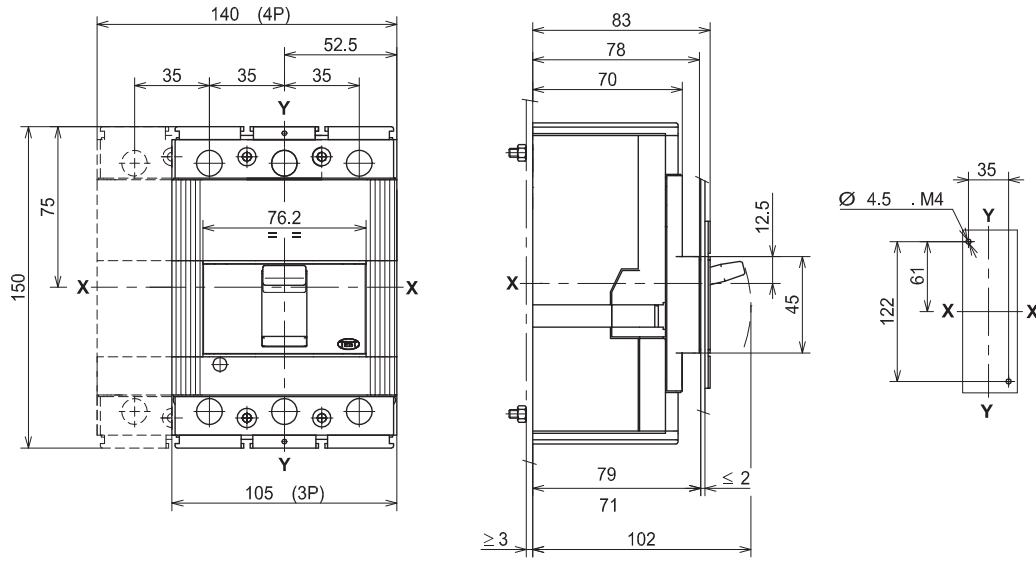
T2 – 3 Pole



Dim.

Approximate Dimensions T3

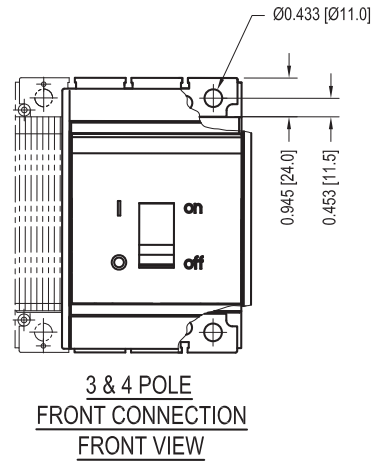
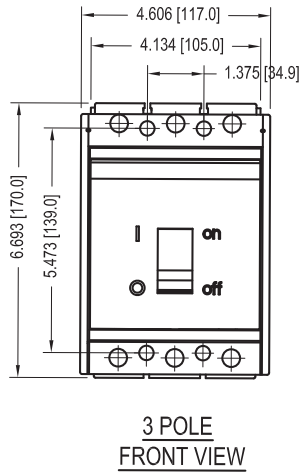
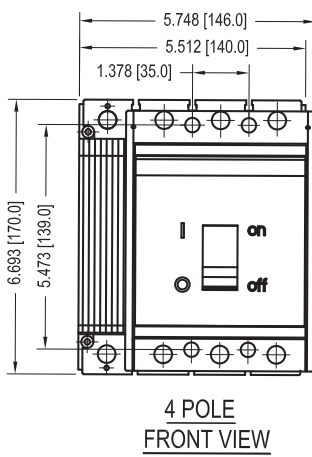
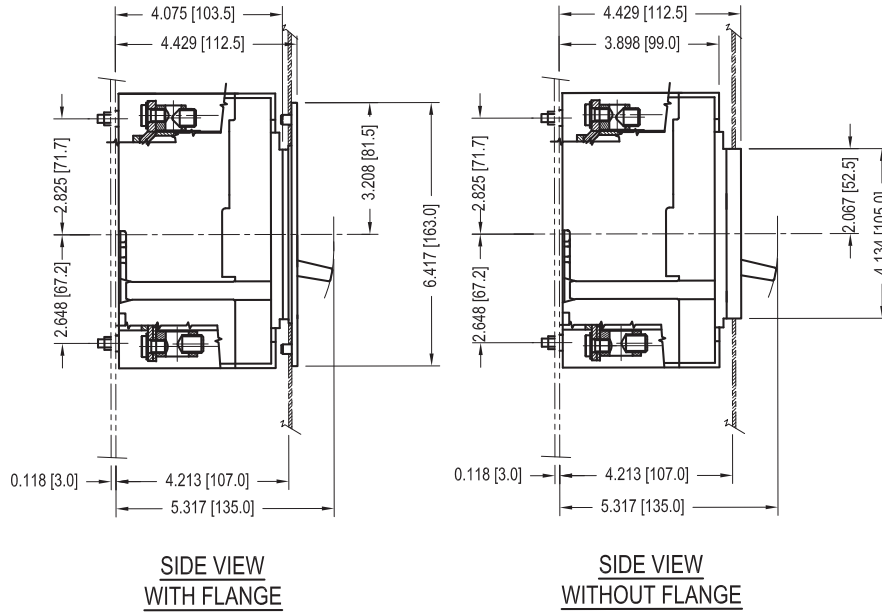
T3 — 3 & 4 Pole



Approximate Dimensions Ts3

Dim.

Ts3 — 3 & 4 Pole



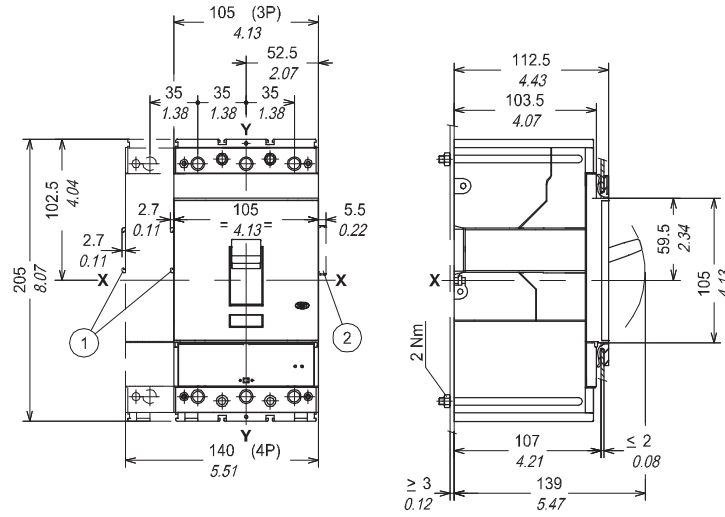
Approximate Dimensions

T4

T4 — 3 & 4 Pole

Caption

- ① Overall dimensions with cabled accessories mounted (SOR-C, UVR-C, RC221-222)
- ② Overall dimensions with cabled auxiliary contacts mounted (only 3Q 1SY)



Approximate Dimensions T5

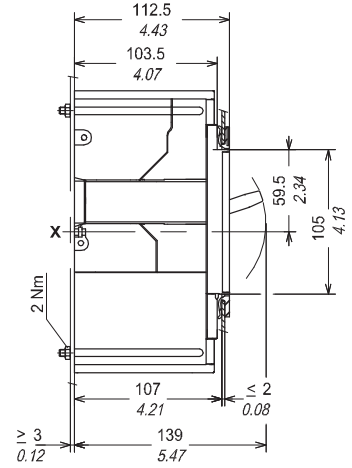
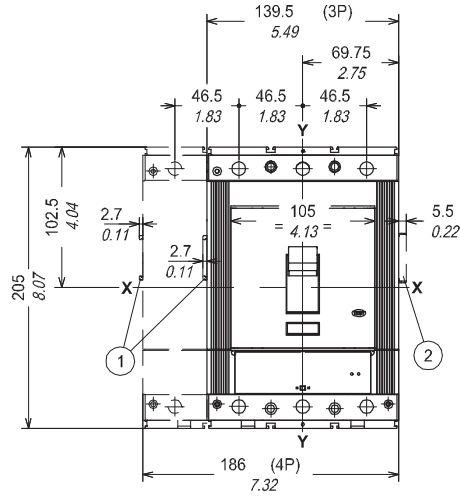
Dim.

T5 — 3 & 4 Pole

Fixing on sheet

Caption

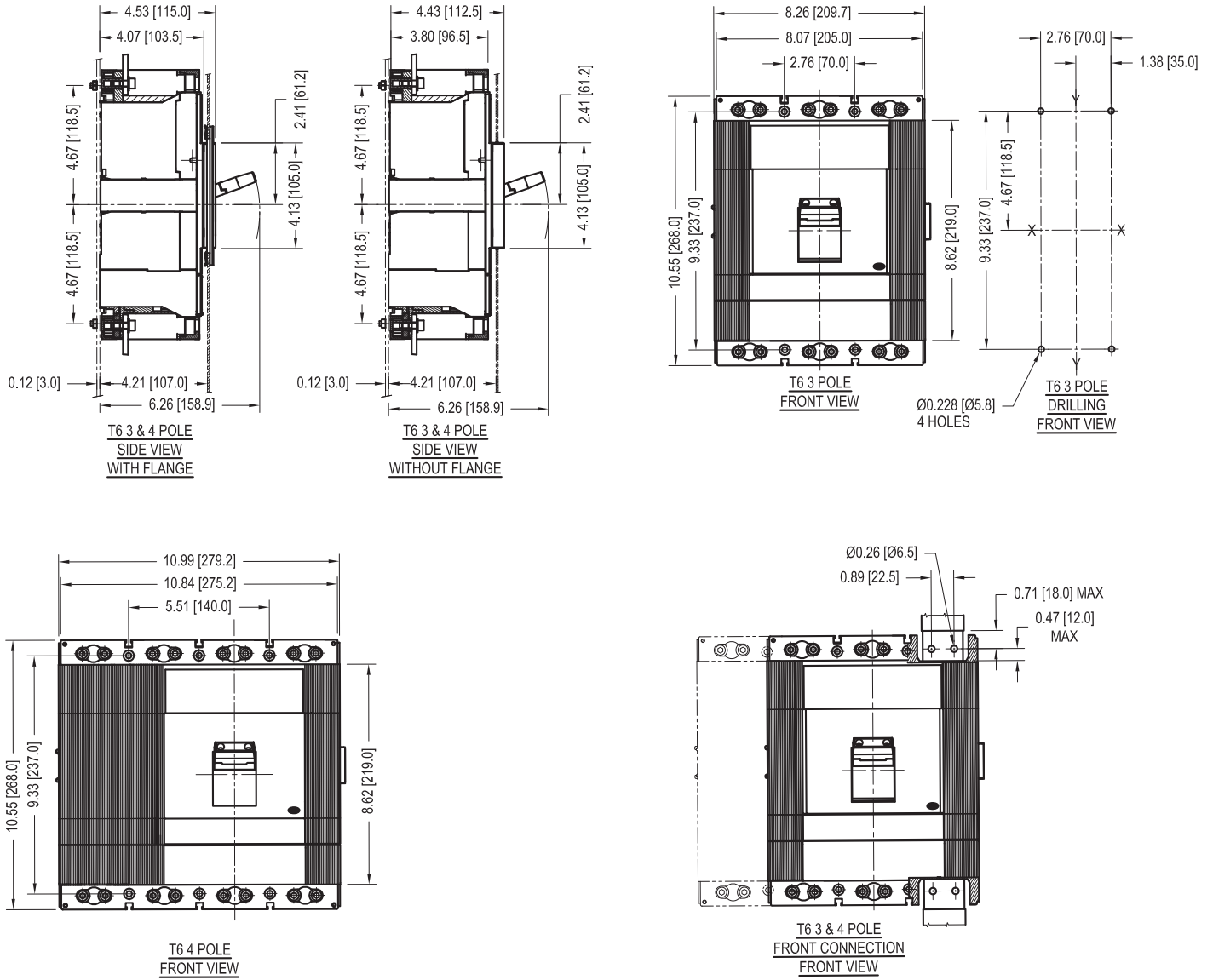
- ① Overall dimensions with cabled accessories mounted (SOR-C, UVR-C, RC221-222)
- ② Overall dimensions with cabled auxiliary contacts mounted (only 3Q 1SY)



Approximate Dimensions

T6

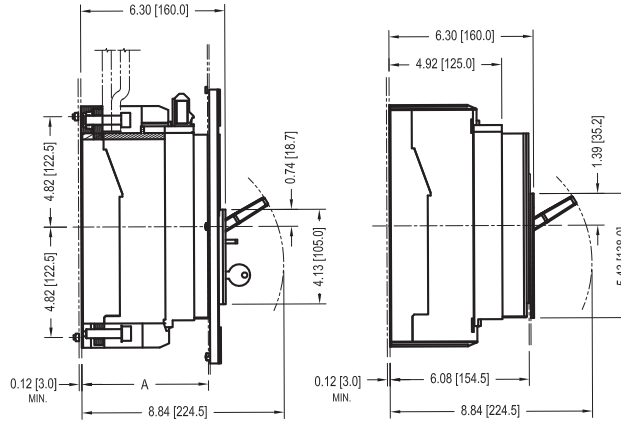
T6 — 3 & 4 Pole



Approximate Dimensions T7

Dim.

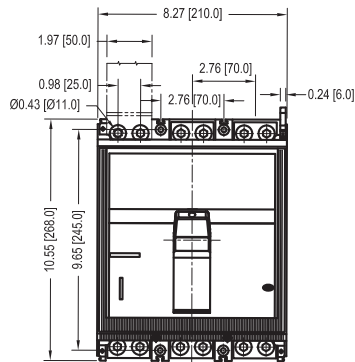
T7 – 3 & 4 Pole



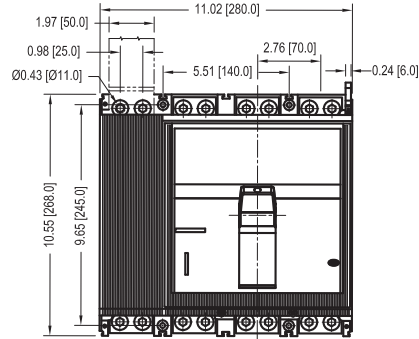
	WITH FLANGE	WITHOUT FLANGE
A	4.92 [125.0] - 5.55 [141.0]	5.79 [147.0]

T7 3 & 4 POLE
SIDE VIEW
WITH FLANGE

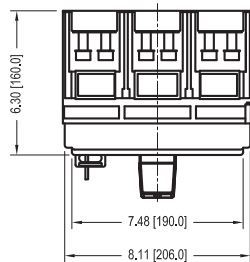
T7 3 & 4 POLE
SIDE VIEW
WITH REDUCED FLANGE



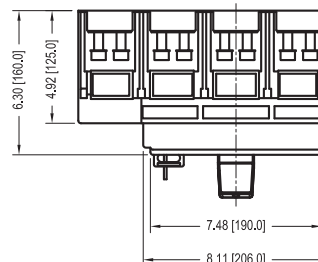
T7 3 POLE
FRONT VIEW



T7 4 POLE
FRONT VIEW



T7 3 POLE
TOP VIEW



T7 4 POLE
TOP VIEW

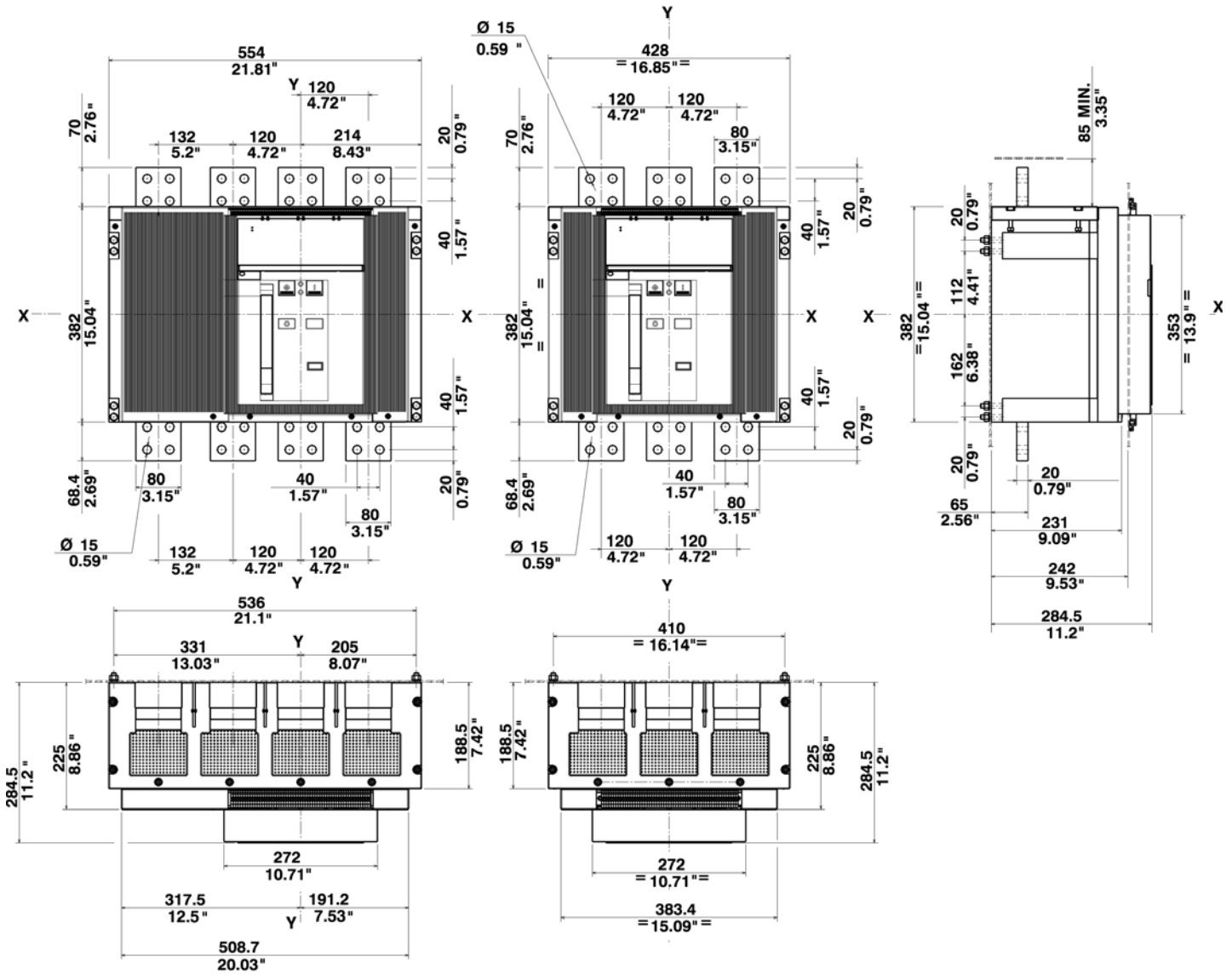
Dim.

Approximate Dimensions

T8

Fixed circuit breaker - 1600/2000/2500 A

Front terminals - F



Caption

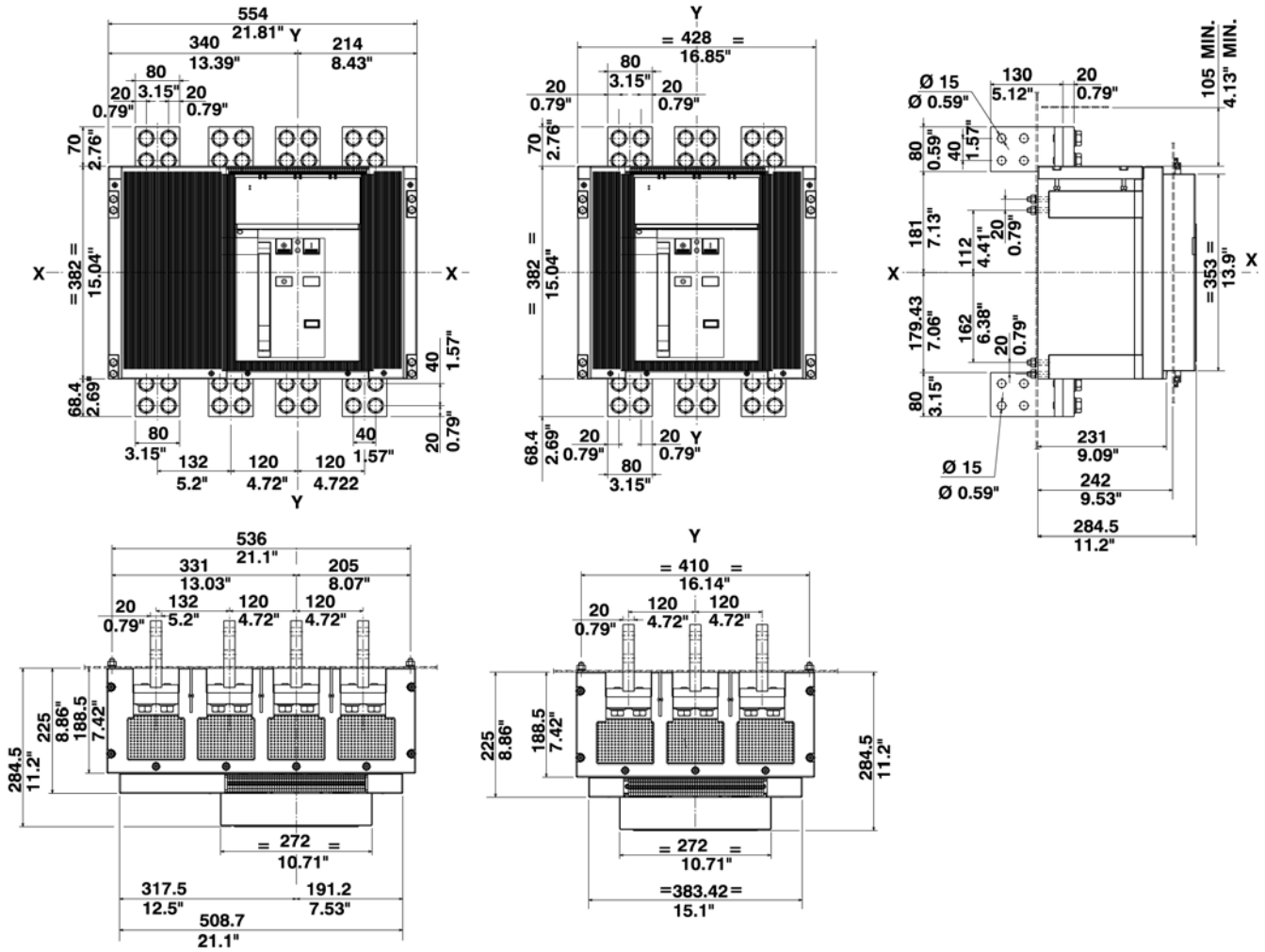
- ① Inside edge of compartment door
- ② Circuit breaker M8 fixing drilling (use M8 screws)
- ③ Insulating or metal-insulated wall

Approximate Dimensions T8

Dim.

Fixed circuit breaker - 1600/2000/2500 A

Rear vertical terminals - VR



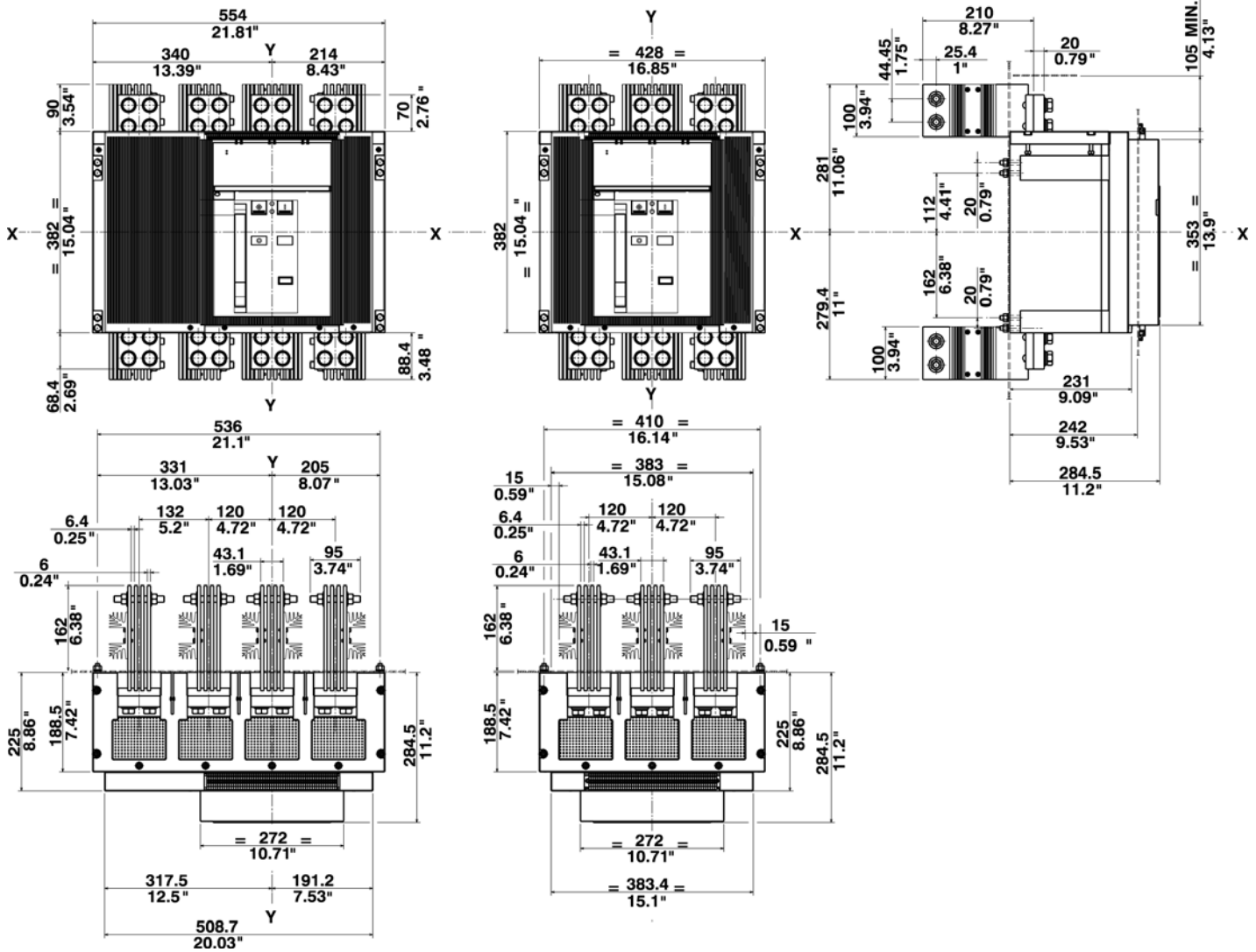
Dim.

Approximate Dimensions

T8

Fixed circuit breaker - 3000 A

Rear vertical terminals - VR



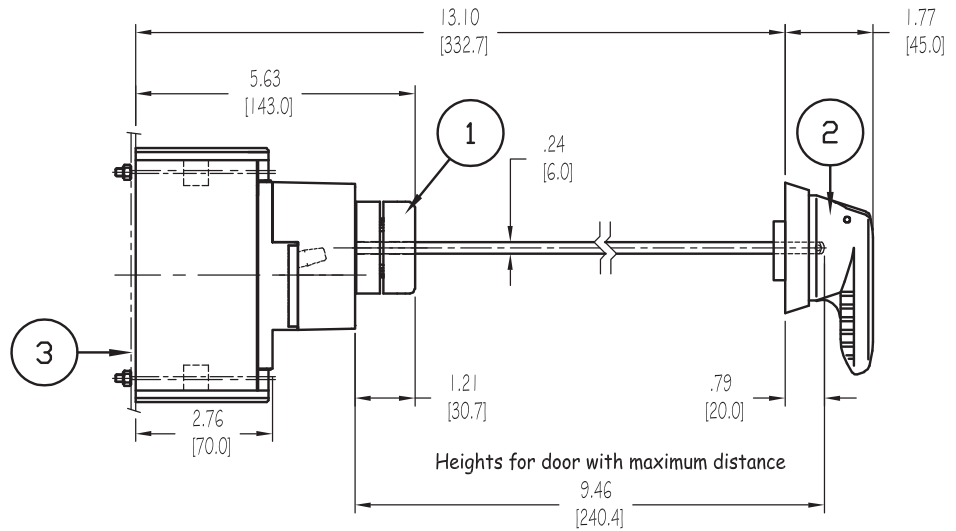
Approximate Dimensions

Variable Depth Mechanism with OHB Handle

T1 - T3

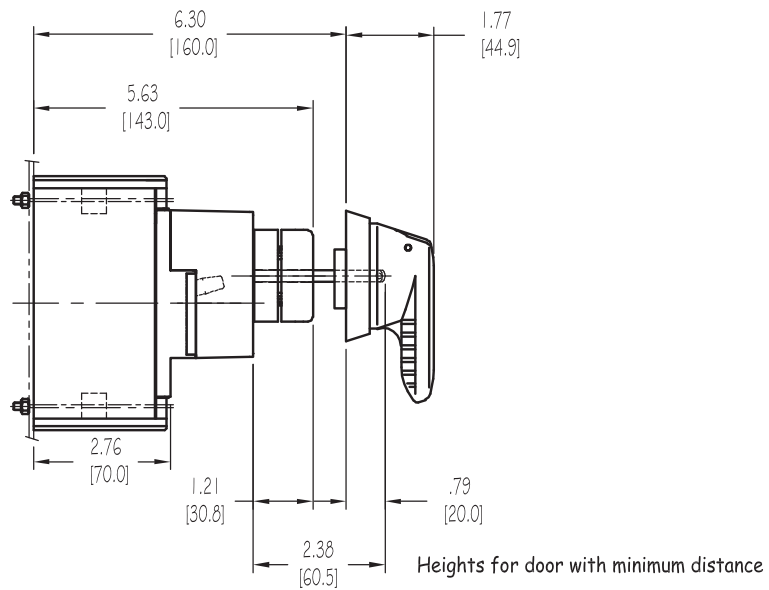
Dim.

Pistol handle operating mechanism on the compartment door



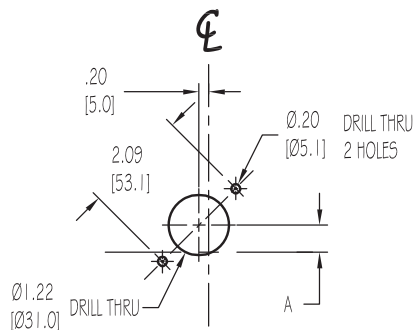
Caption

- ① Transmission unit
- ② Pistol handle operating mechanism on the compartment door
- ③ Insulating plate



Drilling template of the compartment door

A	
T1 - T2	T3
0.55 [13.97]	0.37 [9.4]



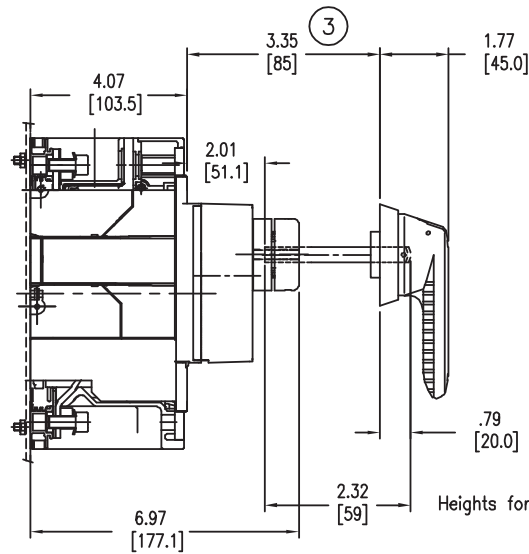
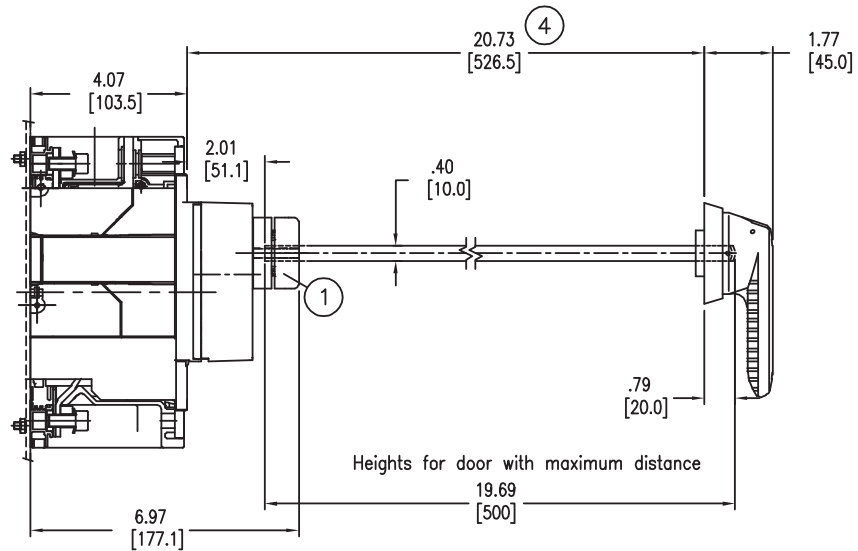
Approximate Dimensions

Variable Depth Mechanism with OHB Handle

T4 - T5

Dim.

Pistol handle operating mechanism on the compartment door

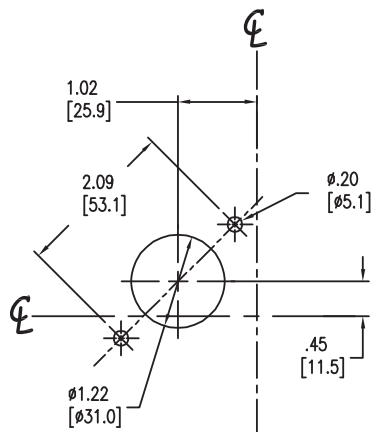


Note:
Minimum distance from hinge of enclosure door to center of shaft is 7.87 in. [200mm]

Caption

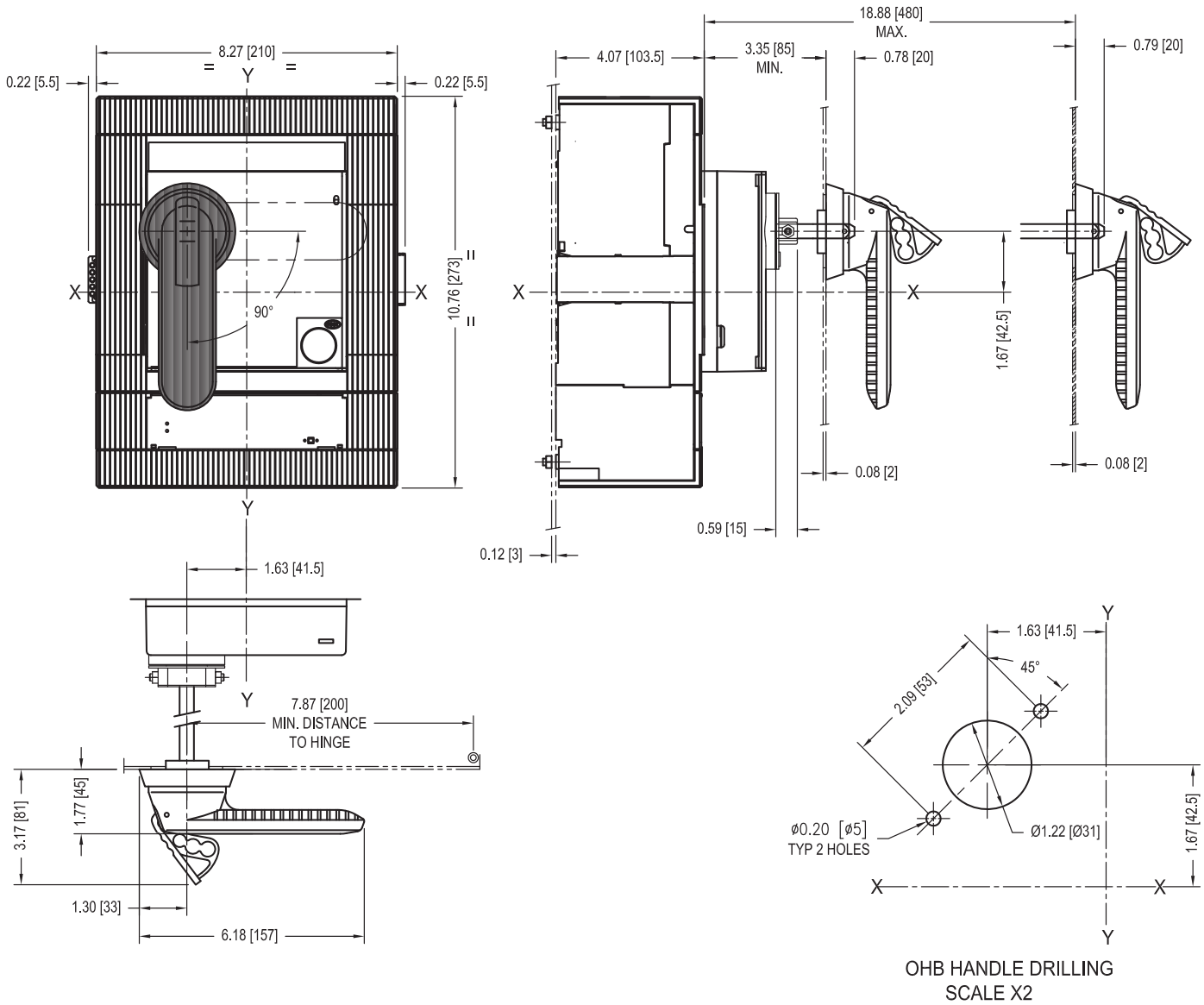
- ① Transmission unit
- ② Pistol handle operating mechanism on the compartment door
- ③ Minimum distance from the front door with accessory
- ④ Maximum distance from the front door with accessory

Drilling template of the compartment door



Approximate Dimensions Variable Depth Mechanism T6

Dim.

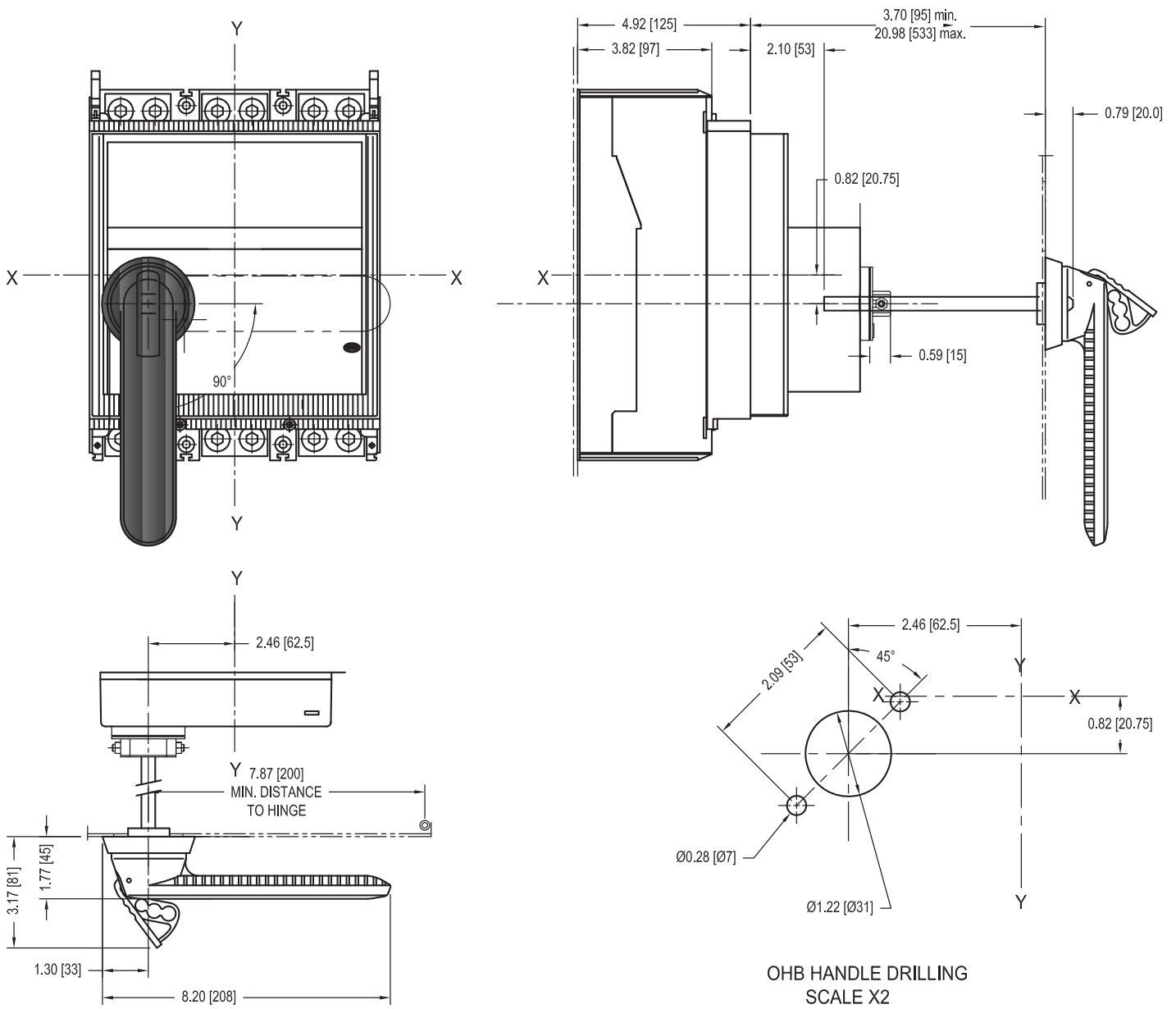


Approximate Dimensions

Variable Depth Mechanism

T7

Dim.



Notes



Contact us

Canada

ABB Inc.

2117, 32e Avenue

Lachine, QC H8T 3J1

Tel: 514-420-3100

Toll free: 1-800-567-0283

Fax: 514-420-3137

Website: www.abb.ca

New revision

While all care has been taken to ensure that the information contained in this publication is correct, no responsibility can be accepted for any inaccuracy. The Company reserves the right to alter or modify the information contained herein at any time in the light of technical or other developments. Technical specifications are valid under normal operating conditions only. The Company does not accept any responsibility for any misuse of the product and cannot be held liable for indirect or consequential damages.

© Copyright 2012 ABB Inc. All rights reserved.



Contact us

ABB

2117, 32e Avenue
Lachine, QC H8T 3J1
Tel: 514-420-3100
Toll free: 1-800-567-0283
Fax: 514-420-3137

Website: www.abb.ca

New revision

(September 2011)
Subject to modification.



Catalogue No. AC1615S (1SDC210001C020)

Power and productivity
for a better world™



X-ON Electronics

Largest Supplier of Electrical and Electronic Components

Click to view similar products for [LED Mounting Hardware](#) category:

Click to view products by [ABB](#) manufacturer:

Other Similar products are found below :

[00624500](#) [00624250](#) [00624375](#) [00624750](#) [7047](#) [990-4901-010](#) [990-8115-001](#) [SPC040](#) [CMP22](#) [CNX_440_X02_4_1_06](#)
[CNX_460_E02_4_1_12](#) [CNX440-X02-4-2-24](#) [M16-T1](#) [L2K-L4GD](#) [L2K-L5XL](#) [LDN51-125SL/BT](#) [RNG-190](#) [515-0005F](#) [CM00624625](#)
[CNX440E034612](#) [CNX_460_E02_4_1_04](#) [FS108NA](#) [7046](#) [7056](#) [S202-K2](#) [T50RS5.NB3P](#) [KT4TN](#) [SN3486](#) [M16-T2-S](#) [RTN_441](#) [ELM 2-](#)
[1.5MM](#) [LEDM-2-11](#) [ELM 3-1.500](#) [CM00624375](#) [CM00624375](#) [CM00624900](#) [CNX410-056-X-4-2-24](#) [HLMP-0103](#) [ZCH-200-I](#) [FIX-LEDH-](#)
[10.5](#) [FIX-LEDH-11](#) [FIX-LEDH-12](#) [FIX-LEDH-14](#) [FIX-LEDH-18](#) [FIX-LEDH-4](#) [FIX-LEDH-4.5](#) [FIX-LEDH-7.5](#) [FIX-LEDS-1.5](#) [FIX-LEDT-](#)
[11](#) [FIX-LEDT-20](#)