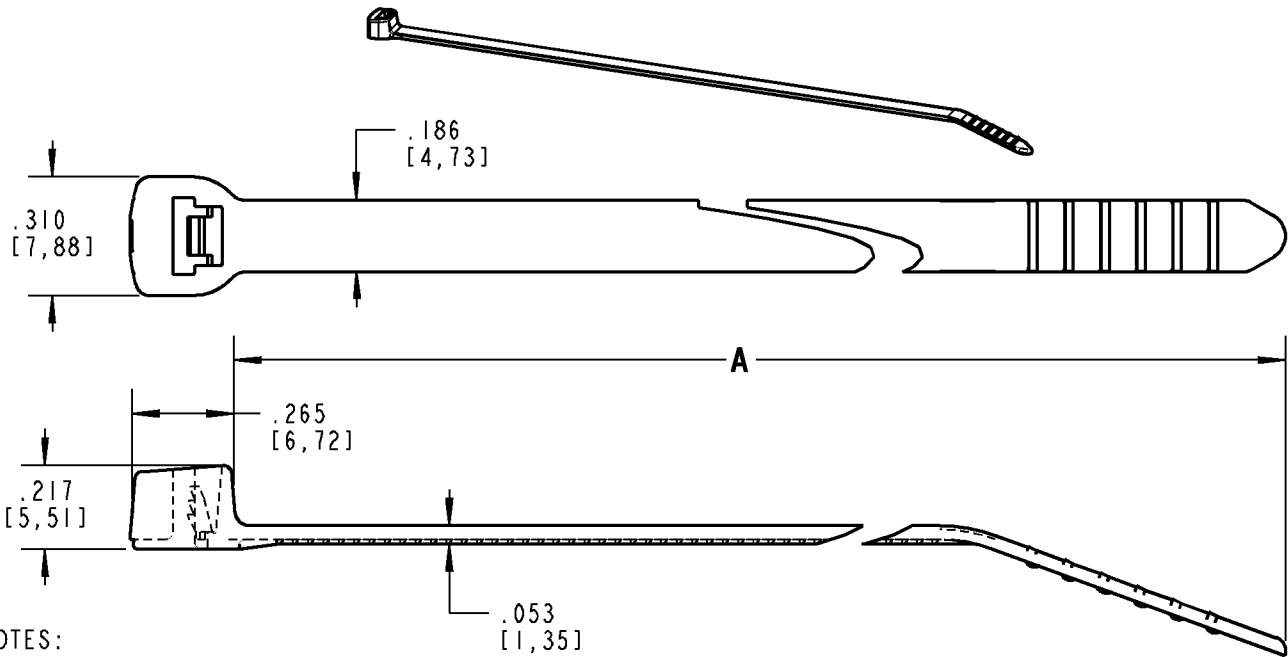




# Catamount®

**NOTES:**

1. MATERIAL: NYLON 6,6
2. FLAMMABILITY: UL94V-2
3. OPERATING TEMPERATURE RANGE: -40°F [-40°C] TO 185°F [85°C]
4. MINIMUM TENSILE RATING: 50 LBS [222 N]
5. MINIMUM WIRE BUNDLE: .0625 [1,59]
6. MAXIMUM WIRE BUNDLE: SEE TABLE
7. INSTALLATION TOOL/SETTING: WT199/6-8 (MS90387-1) OR ERG299/6-8

CATALOG NUMBER	MAXIMUM WIRE BUNDLE	A
L-5-50-***	1.0 [25,4]	5.235 [132,97]
L-7-50-***	1.750 [44,45]	7.435 [188,85]
L-7-50FL-***	1.750 [44,45]	7.435 [188,85]
L-11-50-***	3.000 [76,2]	11.640 [295,66]
L-11-50FL-***	3.000 [76,2]	11.640 [295,66]
L-14-50-***	4.000 [101,6]	14.655 [372,24]

\* = COLOR CODE - 0= BLACK (OUTDOOR)    4= YELLOW    8= GRAY    17= FLUORESCENT YELLOW  
 1= BROWN    5= GREEN    9= NATURAL    18= FLUORESCENT GREEN  
 2= RED    6= BLUE    11= FLUORESCENT PINK    20= FLUORESCENT BLUE  
 3= ORANGE    7= PURPLE    16= FLUORESCENT ORANGE

\*\* = PACKAGING - C= STD PKG (100)    D= BULK PKG (500)    M= BULK PKG (1,000)

CONSULT CUSTOMER SERVICE FOR PACKAGE QUANTITY AVAILABILITY

**FLUORESCENT COLORS NOT "UR" OR "CE" RECOGNIZED OR LISTED**

<b>GENERAL NOTES</b>		<b>Thomas &amp; Betts</b> <small>www.tnb.com</small>			
1. ALL DIMENSIONS ARE FOR REFERENCE ONLY. 2. DIMENSIONS IN BRACKETS [ ] ARE IN METRIC UNITS.					
<b>REVISIONS</b>		<b>DESCRIPTION: 5", 7", 11" &amp; 14" SERIES 50 STANDARD CABLE TIES</b>			
- SEE ERN (****) FOR APPROVAL SIGNATURES & RELEASE DATE. PROJECT NO: ****		ORIGINAL PROJECT NO / ( ERN NO )	SHEET NO:	REV. NO:	DRAWING NO:
		FMM01182 / ( 2006127 )	1 OF 1	-	<b>WSD-000222</b>

## X-ON Electronics

Largest Supplier of Electrical and Electronic Components

*Click to view similar products for [Wire Identification category](#):*

*Click to view products by [ABB manufacturer](#):*

Other Similar products are found below :

[CU6337-000](#) [CU6342-000](#) [FCA-410-12](#) [11631010](#) [1-1768037-1](#) [1-1768037-2](#) [1-1768050-0](#) [PXLK-VI](#) [Q62184-1](#) [A64304-000](#) [QMT221](#)  
[HK032WE1NF038B](#) [1330-0519-10](#) [1395199-1](#) [1395200-1](#) [1395202-1](#) [DMVF050WE-300S6](#) [D-SCE-1K-2.4-50-4-CS7834](#) [1538738-1](#)  
[E90935-000](#) [EC1238-000](#) [EC1465-000](#) [EC1855-000](#) [EC1859-000](#) [EC1863-000](#) [EC5415-000](#) [EC7277-000](#) [EC7352-000](#) [EC7603-000](#)  
[EC7707-000](#) [EC7735-000](#) [EC7768-000](#) [EC7828-000](#) [EC7854-000](#) [EC7952-000](#) [EC8128-000](#) [1768037-8](#) [1768041-7](#) [NC-127191-10-9](#)  
[HS048WE2NF038B](#) [C03232-000](#) [HTCM-SCE-14-4H-9](#) [HTMS-3/16-9](#) [HT-SCE-1/4-2.0-4](#) [HT-SCE-3/16-2.0-4](#) [HTTMS-1/2-1.50-9](#) [HTTMS-](#)  
[CM-1/2-4H-9](#) [HX-SCE-19.0-50-9](#) [HX-SCE-6.4-50-4](#) [C25254-000](#)