



Low Voltage Products

Switches

Rotary cam switches

Enclosed cam switches



10...315 Amperes rotary cam





Rotary cam switches

OM, ON and OL



Contents:

Rotary cam switches

General	4 - 5
Standard cam switches range	6 - 7
Accessories for standard cam switches	8 - 9
Special cam switches	10 - 11
Solutions	12 - 15
Technical data	16 - 17
Ordering details	
ON-OFF switches	18 - 19
Change-over switches	20 - 22
Bypass switches	23
Multistep switches	24 - 27
Motor control switches	28 - 29
Ventilation switches	28
Reversing switches	28
Star-delta switches	28
Pole-change switches	28
Pumpstart switches	29
Stop switches	29
Start switches	29
Voltmeter switches	30
Ammeter switches	31
Volt-ammeter switches	31
Binarycode switches	32
Accessories	33 - 38
Dimension drawings	39 - 57
Front plates	39
OM, ON, door mounted	40
ON_M, ON, base mounted	41
OL40	41 - 43
Door mounted	41 - 42
Base mounted	43
OL63, OL80N, door/base mounted	44
OL125, OL160	45 - 46
Door mounted	45
Base mounted	46
OL200, door/base mounted	47
Handles	48 - 54
For OM	48
For ON and OL40 - 80N	48 - 50
Padlockable handles	49 - 52
Key interlocked handles	53
Push button interlocked handle	54
Pistol and double lever handles	54
Door clutch	55
Double gang drive	56
Triple gang drive	57
Enclosed rotary cam switches and enclosures	
Contents	59
Index	64-67

ROTARY CAM SWITCHES

Range OM, ON, OL

10, 25, 40, 63, 80, 125, 160, 200 and 315 (IEC) Amperes

ABB's new OM, ON and OL rotary cam switches offer a complete range of cam switches for control, instrumentation and motor starting applications, maximizing the benefits and optimizing your use of assets. The standard cam switches provide you with a variety of functionalities for the most common mounting types and applications with minimum footprint area.

A focused standard range covering most applications

ON-OFF switches
Change-over switches
Multi-step switches

Volt-ammeter switches
Ammeter switches
Voltmeter switches

Bypass switches
Closed transition switches
UPS switches

Reversing switches
Pump-start switches
Stop-start switches
Ventilation switches

Binarycode switches

Standards

IEC/EN 60 947-1, -3
VDE 0660 Teil 107
UL508
CSA C 22.2.x No 14

Approvals

L'loyd's Register of Shipping
CCC
UL508
CSA C 22.2.x No 14

▶ Captive plus-minus screws save installation time and the integrated screwdriver guides make the use of motorized screwdrivers easy and stable.



Quick and easy to install

Captive plus-minus screws save installation time and the integrated screwdriver guides (available in sizes up to 160 Amps) make the use of motorized screwdrivers easy and stable. Lug terminals for connecting cable clamps and crimp lugs are available for the sizes from 125 Amps.

The double cam system shortens the multistep switch and enables the use of shallow enclosures. The sizes up to 40 Amps, including a black handle on a silver front plate, are suitable for snap on door mounting while the sizes from 63 to 200 Amps contain screw-mounted handles for door mounting.

▶ Self lifting terminal screws for fast cabling



◀ Complete delivery includes handle and front plate. Snap-on mounting of contact block with interlocking in sizes OM, ON and OL 40. Protected interconnections.

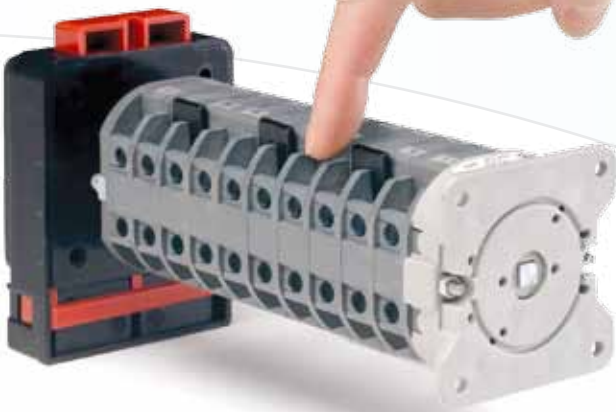
Camweb for special cam switches

Easy to specify and to order

The user-friendly Camweb configuration tool is very simple to use: it provides a new approach to ordering with easy specifications and a minimized total delivery time. The tool guides the user in order to avoid incompatible/impossible solutions, eliminating mistakes and automatically generating the type and the ordering code. The optional paste and order tool generates the price for immediate ordering. The order handling of the special cam switch is as smooth as for the standard products - the same information goes transparent and unchanged throughout the process.

What can be specified by Camweb?

Distinctive needs, such as front plate engraving, padlocking in various positions, key operation, key interlocking, auxiliary contacts for low ratings and special timings can be specified with the configuration tool. It is also possible to build switches with different chamber sizes in the same switch. Double and triple gang switches, as well as long cam switches with metallic shaft, can be specified with up to 60 contacts and 12 positions.



▲ Finger-proof tunnel terminals eliminate the risk of touching live parts without adding any protective covers.

▼ Versatile selection of high protection degree handles.

High protection class

Finger-proof tunnel terminals (IP20) up to the size 160 A eliminate the risk of touching live parts without adding any protective covers. This ensures safe operation, protecting people and equipment. Versatile selection of high protection degree handles. The standard handle is IP65 and NEMA 4X protected. The handles with increased protection up to IP67 and IP69K available.

High performance contacts

The switches provide reliable isolation and stable contact positions with or without overlapping contacts. The well-enclosed contact chamber construction and special design of the OM's contact tip with high contact pressure ensure increased contact reliability and a long life span. Due to the contact design, the switches are also suitable for very low voltages (5 V) and currents (5mA). Gold-plated contacts are available on request.

The switches are designed for resistive and slightly inductive motor loads having a high switching reliability in distinctive environments, providing you with added value. Breaking capacity tests performed, cover AC23 as well as DC categories.

Special cam switches for distinctive requirements

Special cam switches can be configured on the Internet by the Camweb configurator. The specification and ordering of special cam switches is as easy as selecting standard products!



The Camweb configuration tool can be found on the ABB Internet site or directly from the address: switchselector.com

Standard

CAM SWITCHES RANGE



▲ OM



▲ ON

Black handle and silver front plate with standard text are included.

Cam switch size
I_{th} / IEC 60947 [A]
UL 508 [A]

Positions

ON-OFF switches

Rotating angle 90, 0-position: 9 o'clock

Black handle 1 - 0
Key operated 1 - 0

Rotating angle 90, 0-position: 12 o'clock

Black handle 1 - 0
Key operated 1 - 0

Change-over switches

Rotating angle 60 - 0 - 60, with 0-position

Black handle 1 - 0 - 2
Key operated 1 - 0 - 2
Key operated, with two sided spring return 1_r - 0 - 2_r

Rotating angle 60 - 60, without 0-position

With overlapping contacts 1 - 2
With common center position and with overlapping contacts 1 - 1+ 2 - 2

Bypass switches

Without overlapping, for 3 and 4-pole net 1 - 0 - Bypass
With overlapping, for 3 and 4-pole net 1 - Bypass

Multistep switches

With 0-position

2 - step switches 0-1-2
3- step switches 0-1-2-3
4- step switches 0-1-2-3-4
5- step switches 0-1-2-3-4-5
6- step switches 0-1-2-3-4-5-6
7, 8, 9, 10 and 11- step switches 0-1-2-3-4-5-6-7-8...-11

Without 0-position

3- step switches 1-2-3
4- step switches 1-2-3-4
5- step switches 1-2-3-4-5
6- step switches 1-2-3-4-5-6
7, 8, 9, 10, 11 and 12- step switches 1-2-3-4-5-6-7-8...-12

Motor control switches

Ventilation switches A - 0 - 1/2 - 1/1
Reversing switches 1 - 0 - 2
Star-delta switches 0 - Y - Δ
Pole-change switches (Dahlander) 0 - A - AYY
Pumpstart switches 0 - 1
Stop switches 0_r - Stop
Start switches Stop - Start
0_r - Start
0⁻1_r - Start
Start - 1_r - 0 - 2_r - Start

Voltmeter switches

4 positions, 3 phase - 3 wire, with 0-position 0, L1-L2, L2-L3, L3-L1
3 positions, 3 phase - 3 wire, without 0-position L1-L2, L2-L3, L3-L1
6 positions, 3 phase to phase, 3 phase to neutral, without 0-position L1-L3, L2-L3, L1-L2, L1-N, L2-N, L3-N
7 positions, 3 phase to phase, 3 phase to neutral, with 0-position L1-L3, L2-L3, L1-L2, 0, L1-N, L2-N, L3-N
7 positions, 3 phase to phase voltages for 2 circuits, with 0-position L1-L3, L2-L3, L1-L2, 0, L1-L3, L2-L3, L1-L2

Ammeter switches

For 3 current transformer circuits, with 0-position 0 - 1 - 2 - 3

Volt-ammeter switches

3 phases and 3 current transformers with common pole OFF - 1 - 2 - 3

Binarycode switches

0-1-2-3-4-5-6-7...-9...-11



▲ OL40



▲ OL63-80



▲ OL125-160



▲ OL200



▲ ON_M

Door mounted

DIN rail mounted

OM	ON	OL40	OL63	OL80N	OL125	OL160	OL200	ON_M
10	25	45	63	80	150	175	315	25
10	25	40	-	-	125	160	200	25
1, 2, 3, 4, 5, 6 and 8- pole 1, 2 and 3- pole	-	-	-	-	1, 2, 3, 4, 6 and 8- pole -	-	-	1, 2, 3 and 6- pole -
1, 2, 3, 4, 5 and 6- pole 1, 2 and 3- pole	-	-	-	-	-	-	-	1, 2, 3 and 6- pole -
1, 2, 3 and 4- pole 1 and 3- pole	-	-	-	-	1, 2, 3 and 4- pole -	-	-	1, 2, 3 and 4- pole -
1 and 3- pole	1, 2 and 3- pole	-	-	-	-	-	-	1- pole
1, 2, 3 and 4- pole	1, 2, 3 and 4- pole	-	-	-	1, 2, 3 and 4- pole	-	-	1, 2, 3 and 4- pole
1, 2, 3 and 4- pole	3 and 4- pole	-	1, 2, 3 and 4- pole	-	3 and 4- pole	-	-	-
-	3 / 6- pole, 4 / 8- pole	-	-	-	3 / 6- pole, 4 / 8- pole	-	-	-
-	3 / 6- pole, 4 / 8- pole	-	-	-	3 / 6- pole, 4 / 8- pole	-	-	-
1, 2, 3 and 4- pole	-	-	-	-	-	-	-	1- pole
1, 2, 3 and 4- pole	1- pole	-	-	-	1-pole	-	-	1- pole
1, 2 and 3- pole	-	-	-	-	-	-	-	-
1 and 2- pole	-	-	-	-	-	-	-	-
-	1, 2 and 3- pole	-	-	-	-	-	-	-
-	1- pole	-	-	-	-	-	-	-
1, 2, 3 and 4- pole	-	-	-	-	-	-	-	1- pole
1, 2 and 3- pole	-	-	-	-	-	-	-	-
1 and 2- pole	-	-	-	-	-	-	-	-
-	1, 2 and 3- pole	-	-	-	-	-	-	-
-	1- pole	-	-	-	-	-	-	-
2- pole	-	-	-	-	-	-	-	1- pole
-	2 and 3- pole	-	3-pole	-	-	-	-	-
-	3- pole	-	-	-	3- pole	-	-	-
-	3- pole	-	-	-	3- pole	-	-	-
1- pole	-	-	-	-	-	-	-	1- pole
2- pole	-	-	-	-	-	-	-	-
-	1- pole	-	-	-	-	-	-	-
1- pole	-	-	-	-	-	-	-	1- pole
-	1- pole	-	-	-	-	-	-	1- pole
3- pole	-	-	-	-	-	-	-	3- pole
3- pole	-	-	-	-	-	-	-	3- pole
3- pole	-	-	-	-	-	-	-	3- pole
3- pole	-	-	-	-	-	-	-	3- pole
4- pole	-	-	-	-	-	-	-	-
1- pole	1 and 2- pole	-	-	-	-	-	-	1- pole
3- pole	-	-	-	-	-	-	-	-
-	1 and 2- pole	-	-	-	-	-	-	-

ACCESSORIES

for standard cam switches



▶ Type_P_or_R_ ▶ Type_P_or_R_



▶ Type_P_or_R_ ▶ Type_P_or_R_



▶ Type_R_



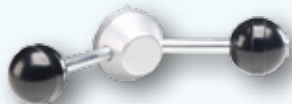
▶ Type_X_



▶ Type_OLZ8_



▶ Type_OLZ9_



▶ Type_P2_or_P4_



▶ Type_ONZ20_ ▶ Type_OLZ20R_



▶ Type_OLZ20P_



▶ Type_Z331_B ▶ Type_Z331_RY



▶ OM

▶ ON

Handles

Snap on handle with front plate without engraving

Size 30x30, black, grey, red, red-yellow

Size 48x48, black, grey, red, red-yellow

Size 64x64, black, grey, red, red-yellow

Screw mounting handle with front plate without engraving

Size 64x64, black, grey, red, red-yellow

Size 90x90, black, grey, red, red-yellow

Size 130x130, black, grey, red, red-yellow

Snap-on handles with round escutcheon plate

Black

Black, nose-type

Low extended handle knob, black, grey

Screw mounting hand grip handle, black, grey, red

Screw mounting ball grip handle

Screw mounting pistol type handle, black, red

Screw mounting double lever handle, black, red

Padlockable handle knob, without front plate, black, red-yellow

Round padlockable handles for snap-on mounting, black, red-yellow

Round padlockable handles for snap-on mounting for increased protection

Round padlockable handles for snap-on mounting with door coupling

Round padlockable handles for screw mounting

Size 66x66, black, red-yellow

Size 90x90, black, red-yellow

Front plates

Front plate, without engraving

Size 30x30, silver, yellow

Size 48x48, silver, yellow

Size 64x64, silver, yellow

Size 90x90, silver, yellow

Size 130x130, silver, yellow

Size H=45mm, W=54mm, grey

Additional lettering plates with frame

Lettering plate without engraving

Size 30x30, black or grey frame

Size 48x48, black or grey frame

Size 64x64, black or grey frame

Lettering plate without engraving

Other accessories

Front ring

Shaft sealing

Spare key

Protective rear cover

Nut spanner tool

Adaptor ring

Base mounting kit

DIN-rail mounting plate

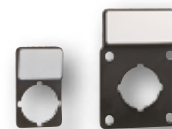
Door coupling kits

Chamber to chamber connection jumpers

Shaft/suitable size [mm]



▶ Front plates



▶ Additional lettering plate

Special CAM SWITCHES

To be specified by the Camweb
configuration tool
switchselector.com



▲ OM



▲ ON

Mounting

Door mounted

Snap-on mounted handle

Padlockable

Round, padlockable

Square, padlockable

Screw mounted handle

Round, padlockable

Square, padlockable

Round front ring

Key operated handle

Cylinder lock

Push button lock

Pistol type handle

Long pistol type handle

Base mounted

Direct handle

Snap-on mounted handle

Padlockable

Screw mounted handle

Door clutch

Type of contacts

Normal

Number of contacts

Double gang (Tandem)

Number of contacts

Triple gang

Number of contacts

Long shaft

Number of contacts

Connections

Standard box (tunnel) terminals

Fast on clips

Double fast on clips

Lug terminals

Other features

Spring return function

Metallic camshaft

Gold contacts

Enclosed cam switches

Non return rotation



SOLUTIONS



Standard handles

Cam switches up to the size OL40 are delivered with snap-on handles for 22.5 mm door drilling, while the larger handle sizes are screw mounted (4-hole mounting). The size OL200_ is delivered with pistol handle. Screw mounted handles, type _R_, are available for all sizes and they can be specified by the Camweb configurator. Protection degree IP65, NEMA4X.



Special handles for large switches

Grip and pistol type handles are available for ON_ and OL40...80 N cam switches. Pistol type and double lever handle is available for OL200. Protection degree is the same as for the front plate.



Padlockable handles

Padlockable handle knob, type **Z**, **ONZ20**, **OLZ20**

Optional handle for replacing the standard knob handle. Two padlocks with bail diameter of 6 mm or three padlocks with 4 mm bail diameter. Padlocking is possible every 90 degrees at 9, 12, 3 and 6 o'clock positions. Available for the sizes ON...OL40 (6 mm shaft diameter). Suitable for both snap-on and screw mounted handles. Protection degree IP65, NEMA4X.



Round padlockable handle, type **3**

The round padlockable handle can be padlocked at 9 o'clock or when the switch is turned 90 degrees at 12 o'clock. For maximum three padlocks with max. 8 mm bail diameter. Available for sizes ON...OL160 as a snap-on or screw mounted version. Protection degree IP65, IP67, IP69K and NEMA4X.



Padlockable pistol type handles, type **Z**, **Z20**

The pistol type handles offer a variety of padlocking possibilities supported by the Camweb configurator. For max. 3 padlocks with 6 mm bail diameter. Protection degree IP65 and Nema 4X.



Non return rotation mechanism, type **N** ↻

Allows only clockwise rotation. The additional mechanism increases the switch depth.

Interlocking solutions

Key operated cam switches, type **K**

Key switches are operated by the key, which functions as the operating handle. Special key codes can be selected in camweb. The standard key removal is possible at every 90 degrees 12, 3, 6 and 9 o'clock or every 60 degrees from 1 o'clock onwards by Camweb only. The delivery contains two keys. In non-standard switches the key removal positions and keynumber can be specified by the Camweb configurator. The key switch is available for the sizes OM...OL40, also enclosed switches. Protection degree IP54.



Key interlocked cam switches with cylinder interlock, type **Q**

The operation of the cam switch is interlocked with the cylinder lock below the switch. The interlocking is possible in one to four selected positions by the key. The possible interlocking positions are specified by the Camweb configurator. The delivery contains two keys. Available for the sizes ON...OL160. Protection degree IP65, NEMA 4X. Special key codes can be selected by camweb.



Push button interlock, type **U**

The push button releases the cam switch in one or several positions specified by the Camweb configurator. Auxiliary contacts are possible to operate with the push button.



Base mounted switches

Modular cam switches, type **_ M _**

Modular cam switches are available for up to 6 contacts according to the DIN-rail component standard. Clip-on mounting on DIN-rail. Protection degree IP20.



Base mounted cam switches, type **_ B _**

Base mounted cam switches are recommended to be specified for the desired shaft length or panel depth by the Camweb configurator. The shaft can be specified with the door clutch, which locks the door in the ON-position. Mounting kit type ONZ74 for door-mounted ON cam switches can be ordered as optional extra with shaft length 200 mm and DIN rail

Base mounted cam switches, type **_ I _** with direct mounted handles are available as special cam switches. The standard or padlockable handle is fixed on the cam switch.



◀ Base mounted cam switch with direct handle, type **_ I _**.



▲ Base mounted cam switch with round padlockable handle on the door, type **_ B _**, ONZ331SP.



▲ Base mounted cam switch and door clutch, type **_ C _**, ONZ371P.

Cam switches with high number of contacts

Double and triple gang switches, types **_ 2S _** or **_ 3S _**

Double and triple gang switches (2 x 20 or 3 x 20 contacts) are specified by the Camweb configurator for door and base mounting with the handle size from 64 mm. Grip handle, type H, as standard. Padlocking with square padlockable handles available too. Screw mounting.



Metallic shaft, type **_ T _**

ON cam switches are available with metallic shafts allowing max. 60 contacts to be assembled in one long cam switch. Specification by the Camweb configurator.

Spring return

The spring return movement is always 30 degrees. The next step of the static position of spring return needs to be 90 degrees if not symmetrical design.



Round front ring

The round front ring replaces the square escutcheon plate. The assembly do not include position indications. The round front ring is available as standard switch and as special switch configured by the Camweb. Type **_ X _**.



Terminations

Quick connects, types **_ F _ or **_ D _****

Cam switches are available with quick connects 6.3 x 0.8 or double FASTON-quick connects 2 x 3.15. Specification by the Camweb configurator.



Lug terminals, type **_ L _**

The OL125...160 cam switches are normally provided with protected box type termination. Lug terminals for cable lugs are specified by the Camweb configurator.



Gold contacts, type **_ G _**

The OM and ON switches can be supplied with gold contacts. Specification recommended by the Camweb configurator. See technical data.

Auxiliary contacts

The door mounted cam switches from 40 A up to 160 A can be provided with space saving auxiliary contacts.





Rotary cam switches

Technical data

Ratings according to IEC60947-3

		Size	OM	ON	OL40	OL63	OL80N	OL125	OL160	OL200
Impuls withstand voltage	U_{imp}	kV	2.5	4	6	6	6	6	6	6
Rated insulation voltage		V	500	690	690	690	690	690	690	690
Rated operational voltage	U_e	V	250	400	690	690	690	690	690	690
Rated thermal current	I_{th}	A	10	25	45	63	80	150	175	315
Rated conditional short circuit current	I_p (r.m.s.)	kA	1 ¹⁾	7 ¹⁾	10	10	10	10	10	10
Max back-up fuse link		A	10	25	40	63	80	160	200	315
Rated short time withstand current (r.m.s)	3s	A		100	360	630	800	1280	1280	1600
	10s	A		60	200	300	400	700	700	1000
	30s	A		32	120	200	250	400	400	600
	60s	A		30	80	100	150	280	280	400
Rated operational current	I_e	A	10	25	45	63	80	150	160	250
	AC1 400V	A	10	25	45	63	80	150	170	250
	AC21 400V	A	10	25	45	63	80	150	170	250
	AC11 220-240V	A	2.5	5.5	14	15	20	45	45	80
	380-440V	A	-	3.5	6.0	10	15	45	45	80
	500V	A	-	4.5	7.0	12	18	40	40	70
	AC22 220-500V	A	10	20	40	63	80	150	170	250
	660-690V	A	-	20	40	63	80	100	100	125
Rated operational current	Time constant 0...1ms									
1-contact in series	DC21 24V	A	10	20	40	63	80	130	150	250
1-contact in series	48V	A	10	20	40	63	80	130	150	250
2-contact in series	60V	A	10	20	40	63	80	130	150	250
3-contact in series	110V	A	10	20	40	63	80	130	150	250
5-contact in series	220V	A	10	20	40	63	80	130	150	250
9-contact in series	440V	A	10	20	40			130	150	250
10-contact in series	600V	A		16	25					
Rated operational current	Time constant 1...50 ms									
1-contact in series	DC22 24V	A	6	10	32	32	40	115	130	200
1-contact in series	30V	A	3	4.5	11	32	40	36	40	50
1-contact in series	40V	A	3	4.5	11	32	40	36	40	50
2-contact in series	60V	A	3	4.5	11	32	40	36	40	50
3-contact in series	110V	A	3	4.5	11	32	40	36	40	50
5-contact in series	220V	A	3	4.5	11	32	40	36	40	50
Rated operational power										
AC23 3 ph.	220-240V	kW	1.8	2.6	7.5	12	14.5	37	37	56
	380-440V	kW	3	7.5	15	18	22.5	75	75	75
	500V	kW	-	4.8	15	22	25	75	90	85
	660-690V	kW	-	4.8	15	17	23	50	55	90
AC23 1 ph.	110V	kW	0.37	0.5	2.5	3	3.6	9	11	14
	220-240V	kW	0.75	0.9	4	6	7.2	20	22	30
	400V	kW	1.1	1.5	7.5	9	12.5	35	37	45
Rated operational power										
AC2 3 ph.	220-240V	kW	2.5	3.5	11	16	18	35	37	70
	380-440V	kW	-	6	18.5	24	30	50	55	95
	500V	kW	-	6	18.5	24	33	65	75	103
	660-690V	kW	-	6	18.5	26	35	65	55	110
AC3 3 ph.	220-240V	kW	1.8	2.2	7.5	10	12	20	22	47
	380-440V	kW	2.2	5.5	11	15	19	35	37	64
	500V	kW	-	4	11	15	22	35	37	82
	660-690V	kW	-	4	11	17	23	30	30	88

¹⁾ 400 V



Rotary cam switches

Technical data

Ratings according to IEC60947-3

		Size	OM	ON	OL40	OL63	OL80N	OL125	OL160	OL200
AC3 1 ph.	110V	kW	0.3	0.4	2.5	2.5	3	6	6	12
	220-240V	kW	0.55	0.75	4.0	5	6	11	11	24
	400V	kW	0.75	1.3	5.5	7.5	9	19	19	40

Terminals

	Size	OM	ON	OL40	OL63	OL80N	OL125	OL160	OL200
Connecting screws	M	2.5	3.5	5	5	5	5	5	10
Max cable cross section, solid/stranded	mm ²	1.5	4	6	16	16	70	70	150
	AWG	14	14-12	14-8	10-6	10-6	12-2/0	12-2/0	kcmil 300

Contacts

	Size	OM	ON	OL40	OL63	OL80N	OL125	OL160	OL200
Minimum voltage AC/DC	V	5	5	5	5	5	5	5	5
Minimum current AC/DC	mA	5	5	5	5	5	5	5	5
Standard butt contact with plain contact tip			x	x	x	x	x	x	x
Butt contact with peak type contact tip		x							
Gold contacts (special)		x	x	x	x				
Storing temperature	°C	-40...+80	-40...+80	-40...+80	-40...+80	-40...+80	-40...+80	-40...+80	-40...+80
Operational temperature ¹⁾	°C	-30...+70	-30...+70	-30...+70	-30...+70	-30...+70	-30...+70	-30...+70	-30...+70

¹⁾ At 40°C, derating 0%
 At 70°C, derating 30%
 Current peaks up to 60°C, derating 0%

Ratings according to UL and CSA

		Size	OM	ON	OL40	OL63	OL80*	OL125	OL160	OL200	
Maximum operating voltage		V	300	600	600		600	600	600	600	
Pilot duty category	CSA/UL	VAC	A300	A600	A600		A600	A600	A600	A600	
Ampere rating	General use at 600VAC UL	UL 480V, CSA 600V	A	25	-		-	-	-	-	
		UL 600V	A	16	40		80	125	170	200	
			A	10	25	40		80	125	170	200
Rated power	3-phase	120V	HP	1	1	5		8	15	15	32
		240V	HP	1	2	10		16	40	40	64
		480V	HP	-	5	20		28	40	50	120
	1-phase	600V	HP	-	5	20		31	40	50	120
		120V	HP	0.33	1	2		4	10	10	-
		240V	HP	1	1	3		8	20	20	-
	480V	HP	-	2	10		-	-	-	-	
	600V	HP	-	3	10		-	-	-	10	
Short circuit ratings											
Maximum prospective fault current		kA	1	10	10		10	10	10	10	
Maximum fuse size		A	16	35(RK5)	50(RK3)		80(RK5)	150(RK5)	200(RK5)	250(RK5)	
Switching frequency		cycles/hour	150	150	150		150	150	150	150	

¹⁾ The ratings for the older type OL80, see ON1GB 07_03 catalogue

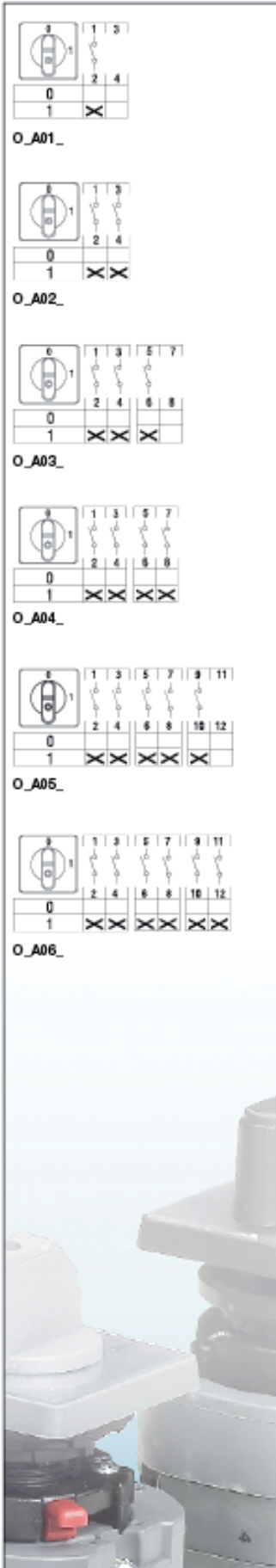
ON - OFF switches

Black handle and front plate with position indication are included.
The type and the ordering number are for one piece.

Function	Number of poles	Rated thermal current I_{th} [A]	Type	Order number	Delivery batch [pcs]	Weight/unit [kg]
O-position: 9 o'clock, step angle 90°						
Door mounted, snap-on mounted handle						
0 - 1	1	10	OMA1PB	1SCA022531R3950	10	0.04
	2	10	OMA2PB	1SCA022531R4090	10	0.04
	3	10	OMA3PB	1SCA022531R4170	10	0.05
	4	10	OMA4PB	1SCA022531R4330	10	0.05
	5	10	OMA5PB	1SCA022531R4410	10	0.06
	6	10	OMA6PB	1SCA022531R4500	10	0.06
0 - 1	1	25	ONA1PB	1SCA022531R4920	10	0.08
	2	25	ONA2PB	1SCA022531R5060	10	0.09
	3	25	ONA3PB	1SCA022531R5140	10	0.10
	4	25	ONA4PB	1SCA022531R5220	10	0.11
	5	25	ONA5PB	1SCA022531R5310	10	0.12
	6	25	ONA6PB	1SCA022531R5490	10	0.12
	8	25	ONA8PB	1SCA022684R5230	10	
	8	25	ONA8PB	1SCA022684R5230	10	
0 - 1	1	45	OL40A1PB	1SCA022755R7140	10	0.13
	2	45	OL40A2PB	1SCA022755R7220	10	0.17
	3	45	OL40A3PB	1SCA022755R7310	10	0.21
	4 ¹⁾	45	OL40A4PB	1SCA022755R7490	10	0.25
	6	45	OL40A6PB	1SCA022755R7650	10	0.33
	8 ²⁾	45	OL40A8PB	1SCA022755R7810	10	0.41
	8	45	OL40A8PB	1SCA022755R7810	10	
	8	45	OL40A8PB	1SCA022755R7810	10	
Door mounted, screw mounted handle						
0 - 1	1	25	ONA1RB	1SCA100196R1001	10	0.08
	2	25	ONA2RB	1SCA100206R1001	10	0.09
	3	25	ONA3RB	1SCA100209R1001	10	0.10
	4	25	ONA4RB	1SCA100214R1001	10	0.11
0 - 1	1	40	OL40A1RB	1SCA100297R1001	10	0.13
	2	40	OL40A2RB	1SCA100298R1001	10	0.17
	3	40	OL40A3RB	1SCA100305R1001	10	0.21
	4	40	OL40A4RB	1SCA100306R1001	10	0.25
0 - 1	1	63	OL63A1RB	1SCA111537R1001	1	0.30
	2	63	OL63A2RB	1SCA111538R1001	1	0.34
	3	63	OL63A3RB	1SCA111539R1001	1	0.41
	4	63	OL63A4RB	1SCA111540R1001	1	0.45
	6	63	OL63A6RB	1SCA111541R1001	1	0.56
	8	63	OL63A8RB	1SCA111542R1001	1	0.67
	8	63	OL63A8RB	1SCA111542R1001	1	
	8	63	OL63A8RB	1SCA111542R1001	1	
0 - 1	1	80	OL80NA1RB	1SCA111624R1001	1	0.30
	2	80	OL80NA2RB	1SCA111625R1001	1	0.34
	3	80	OL80NA3RB	1SCA111626R1001	1	0.41
	4	80	OL80NA4RB	1SCA111627R1001	1	0.45
	6	80	OL80NA6RB	1SCA111628R1001	1	0.56
	8	80	OL80NA8RB	1SCA111629R1001	1	0.67
	8	80	OL80NA8RB	1SCA111629R1001	1	
	8	80	OL80NA8RB	1SCA111629R1001	1	
0 - 1	1	150	OL125A1RB	1SCA022790R1370	1	0.30
	2	150	OL125A2RB	1SCA022790R1450	1	0.34
	3	150	OL125A3RB	1SCA022790R1530	1	0.41
	4	150	OL125A4RB	1SCA022790R1610	1	0.45
	6	150	OL125A6RB	1SCA022790R1700	1	0.56
	8	150	OL125A8RB	1SCA022790R1880	1	0.67
	8	150	OL125A8RB	1SCA022790R1880	1	
	8	150	OL125A8RB	1SCA022790R1880	1	
0 - 1	1	175	OL160A1RB	1SCA022790R5010	1	0.13
	2	175	OL160A2RB	1SCA022790R5100	1	0.17
	3	175	OL160A3RB	1SCA022790R5280	1	0.21
	4	175	OL160A4RB	1SCA022790R5360	1	0.25
	6	175	OL160A6RB	1SCA022790R5440	1	0.33
	8	175	OL160A8RB	1SCA022790R5520	1	0.41
	8	175	OL160A8RB	1SCA022790R5520	1	
	8	175	OL160A8RB	1SCA022790R5520	1	
0 - 1	1	315	OL200A1RB	1SCA022790R5610	1	1.60
	2	315	OL200A2RB	1SCA022790R5790	1	2.00
	3	315	OL200A3RB	1SCA022790R5870	1	2.40
	4	315	OL200A4RB	1SCA022790R5950	1	3.10
	6	315	OL200A6RB	1SCA022790R6090	1	4.20
	8	315	OL200A8RB	1SCA022790R6170	1	5.30
	8	315	OL200A8RB	1SCA022790R6170	1	
	8	315	OL200A8RB	1SCA022790R6170	1	

¹⁾ 4th pole early make, late break in A4_ and A8_ types
²⁾ 7th and 8th pole early make, late break

Packing sizes for 10 pcs: OM 130 x 100 x 120 [mm]
ON, OL40 250 x 100 x 110 [mm]



ON - OFF switches

Black handle and front plate with position indication are included.
The type and the ordering number are for one piece.

Function	Number of poles	Rated thermal current I_{th} [A]	Type	Order number	Delivery batch [pcs]	Weight/unit [kg]
----------	-----------------	------------------------------------	------	--------------	----------------------	------------------

O-position: 9 o'clock, step angle 90°

See the O_A1_ - A6_ function charts on the previous page

Door mounted, round front ring

0 - 1	1	25	ONA1XB	1SCA022708R3920	10	0.08
	2	25	ONA2XB	1SCA022708R5540	10	0.09
	3	25	ONA3XB	1SCA022708R5620	10	0.10
	4	25	ONA4XB	1SCA022708R5710	10	0.11

Door mounted, key operated, withdrawable in both positions

0 - 1	1	10	OMA1KB	1SCA022531R4760	10	0.06
	3	10	OMA3KB	1SCA022531R4840	10	0.07
0 - 1	1	25	ONA1KB	1SCA022531R5570	10	0.11
	3	25	ONA3KB	1SCA022531R5650	10	0.13

Door mounted, key operated, round front ring

0 - 1	1	25	ONA1KXB	1SCA022708R7830	10	0.11
	2	25	ONA2KXB	1SCA100325R1001	10	0.12
	3	25	ONA3KXB	1SCA022708R7910	10	0.13

DIN-rail mounted

0 - 1	1	25	ONA1M	1SCA022531R6030	10	0.09
	2	25	ONA2M	1SCA022531R6110	10	0.10
	3	25	ONA3M	1SCA022531R6200	10	0.11
	6	25	ONA6M	1SCA022545R3020	10	0.12

O-position: 12 o'clock, step angle 90°

Door mounted, snap-on mounted handle

0 - 1	1	10	OMA01PB	1SCA022570R6680	10	0.04
	2	10	OMA02PB	1SCA022570R6760	10	0.04
	3	10	OMA03PB	1SCA022570R6840	10	0.05
	4	10	OMA04PB	1SCA022570R6920	10	0.05
	5	10	OMA05PB	1SCA022570R7060	10	0.06
	6	10	OMA06PB	1SCA022570R7140	10	0.06
0 - 1	1	25	ONA01PB	1SCA022570R7220	10	0.08
	2	25	ONA02PB	1SCA022570R7310	10	0.09
	3	25	ONA03PB	1SCA022570R7490	10	
	4 ¹⁾	25	ONA04PB	1SCA022570R7570	10	0.11
	5	25	ONA05PB	1SCA022570R7650	10	0.12
	6	25	ONA06PB	1SCA022570R7730	10	0.12

Door mounted, key operated, withdrawable in both positions

0 - 1	1	10	OMA01KB	1SCA022570R7810	10	0.06
	3	10	OMA03KB	1SCA022570R7900	10	0.07
0 - 1	1	25	ONA01KB	1SCA022570R8030	10	0.11
	3	25	ONA03KB	1SCA022570R8110	10	0.13

DIN-rail mounted

0 - 1	1	25	ONA01M	1SCA022572R5630	10	0.09
	2	25	ONA02M	1SCA022572R5710	10	0.10
	3	25	ONA03M	1SCA022572R5800	10	0.11
	6	25	ONA06M	1SCA022572R5980	10	0.12

Packing sizes for 10 pcs: OM 130 x 100 x 120 [mm]
ON, OL40 250 x 100 x 110 [mm]

¹⁾ 4th pole with early make, late break
AO_types with simultaneous contacts

Change-over switches

Black handle and front plate with position indication are included.
The type and the ordering number are for one piece.

Function	Number of poles	Rated thermal current I_{th} [A]	Type	Order number	Delivery batch [pcs]	Weight/unit [kg]
----------	-----------------	------------------------------------	------	--------------	----------------------	------------------

With 0-position, step angle 60°

Door mounted, snap-on mounted handle

1 - 0 - 2	1	10	OMU1PB	1SCA022532R5960	10	0.09
	2	10	OMU2PB	1SCA022532R6000	10	0.11
	3	10	OMU3PB	1SCA022532R6180	10	0.13
	4	10	OMU4PB	1SCA022532R6260	10	0.14
1 - 0 - 2	1	25	ONU1PB	1SCA022532R7310	10	0.09
	2	25	ONU2PB	1SCA022532R7400	10	0.11
	3	25	ONU3PB	1SCA022532R7580	10	0.13
	4	25	ONU4PB	1SCA022532R7660	10	0.14
1 - 0 - 2	1	45	OL40U1PB	1SCA022761R0990	10	0.17
	2	45	OL40U2PB	1SCA022761R1020	10	0.25
	3	45	OL40U3PB	1SCA022761R1110	10	0.33
	4	45	OL40U4PB	1SCA022761R1290	10	0.41

Door mounted, screw mounted handle

1 - 0 - 2	1	25	ONU1RB	1SCA100216R1001	10	0.09
	2	25	ONU2RB	1SCA100219R1001	10	0.11
	3	25	ONU3RB	1SCA100220R1001	10	0.13
	4	25	ONU4RB	1SCA100222R1001	10	0.14
1 - 0 - 2	1	40	OL40U1RB	1SCA100307R1001	10	0.17
	2	40	OL40U2RB	1SCA100308R1001	10	0.25
	3	40	OL40U3RB	1SCA100309R1001	10	0.33
	4	40	OL40U4RB	1SCA100311R1001	10	0.41
1 - 0 - 2	1	63	OL63U1RB	1SCA110936R1001	1	0.34
	2	63	OL63U2RB	1SCA110937R1001	1	0.45
	3	63	OL63U3RB	1SCA111543R1001	1	0.56
	4	63	OL63U4RB	1SCA111544R1001	1	0.67
1 - 0 - 2	1	80	OL80NU1RB	1SCA111643R1001	1	0.34
	2	80	OL80NU2RB	1SCA111630R1001	1	0.45
	3	80	OL80NU3RB	1SCA111631R1001	1	0.56
	4	80	OL80NU4RB	1SCA111632R1001	1	0.67
1 - 0 - 2	1	150	OL125U1RB	1SCA022790R1960	1	0.34
	2	150	OL125U2RB	1SCA022790R2000	1	0.45
	3	150	OL125U3RB	1SCA022790R2180	1	0.56
	4	150	OL125U4RB	1SCA022790R2260	1	0.67
1 - 0 - 2	1	175	OL160U1RB	1SCA022790R6840	1	0.34
	2	175	OL160U2RB	1SCA022790R6920	1	0.45
	3	175	OL160U3RB	1SCA022790R7060	1	0.56
	4	175	OL160U4RB	1SCA022790R7140	1	0.67
1 - 0 - 2	1	315	OL200U1RB	1SCA022790R7220	1	2.00
	2	315	OL200U2RB	1SCA022790R7310	1	3.10
	3	315	OL200U3RB	1SCA022790R7490	1	4.20
	4	315	OL200U4RB	1SCA022790R7570	1	5.30

Door mounted, round front ring

1 - 0 - 2	1	25	ONU1XB	1SCA022708R9370	10	0.09
	2	25	ONU2XB	1SCA022708R9450	10	0.11
	3	25	ONU3XB	1SCA022708R9530	10	0.13
	4	25	ONU4XB	1SCA022708R9610	10	0.14

Door mounted, key operated, withdrawable in all positions

1 - 0 - 2	1	10	OMU1KB	1SCA022532R6340	10	0.07
	3	10	OMU3KB	1SCA022532R6420	10	0.08
1 - 0 - 2	1	25	ONU1KB	1SCA022532R7740	10	0.12
	3	25	ONU3KB	1SCA022532R7820	10	0.13

DIN-rail mounted

1 - 0 - 2	1	25	ONU1M	1SCA022532R8210	10	0.09
	2	25	ONU2M	1SCA022532R8390	10	0.11
	3	25	ONU3M	1SCA022532R8470	10	0.13
	4	25	ONU4M	1SCA022534R2710	10	0.14

Packing sizes for 10 pcs: OM 130 x 100 x 120 [mm]
ON, OL40 250 x 100 x 110 [mm]

Change-over switches

Black handle and front plate with position indication are included.
The type and the ordering number are for one piece.

Function	Number of poles	Rated thermal current I_{th} [A]	Type	Order number	Delivery batch [pcs]	Weight/unit [kg]
----------	-----------------	------------------------------------	------	--------------	----------------------	------------------

With 0-position, with two sided spring return, step angle 60°

Door mounted, snap-on mounted handle

1 _R - 0 - 2 _R	1	10	OMURR1PB	1SCA022532R6510	10	0.05
	3	10	OMURR3PB	1SCA022532R6690	10	0.06
1 _R - 0 - 2 _R	1	25	ONURR1PB	1SCA022532R7910	10	0.09
	2	25	ONURR2PB	1SCA022558R4040	10	0.11
	3	25	ONURR3PB	1SCA022532R8040	10	0.12
1 _R - 0 - 2 _R	1	45	OL40URR1PB	1SCA022761R1370	10	0.17
	2	45	OL40URR2PB	1SCA022761R1450	10	0.25
	3	45	OL40URR3PB	1SCA022761R1530	10	0.33

Door mounted, screw mounted handle

1 _R - 0 - 2 _R	2	25	ONURR2RB	1SCA100223R1001	10	0.11
-------------------------------------	---	----	----------	-----------------	----	------

Door mounted, round front ring

1 _R - 0 - 2 _R	2	25	ONURR2XB	1SCA022709R0620	10	0.11
-------------------------------------	---	----	----------	-----------------	----	------

DIN-rail mounted

1 _R - 0 - 2 _R	1	25	ONURR1M	1SCA022568R3530	10	0.09
-------------------------------------	---	----	---------	-----------------	----	------

Without 0-position, step angle 60°

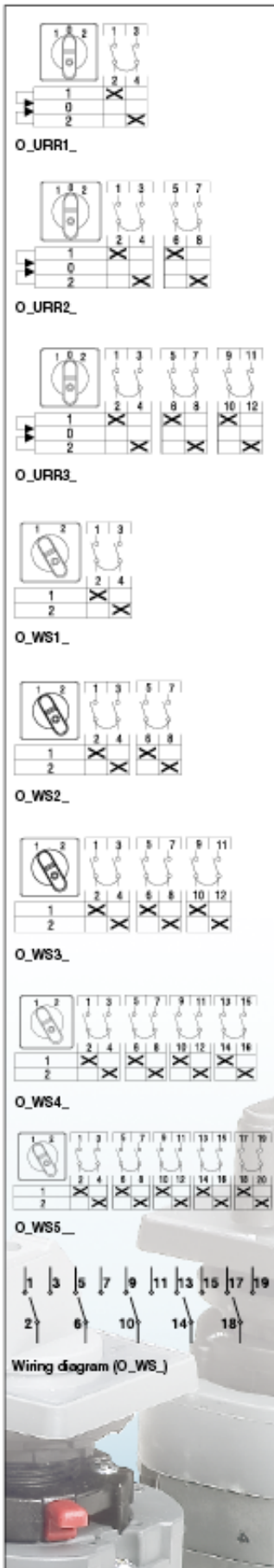
Door mounted, snap-on mounted handle

1 - 2	1	10	OMWS1PB	1SCA022532R6770	10	0.09
	2	10	OMWS2PB	1SCA022532R6850	10	0.11
	3	10	OMWS3PB	1SCA022533R0610	10	0.13
	4	10	OMWS4PB	1SCA022533R0700	10	0.14
1 - 2	1	25	ONWS1PB	1SCA022532R8120	10	0.09
	2	25	ONWS2PB	1SCA022532R9360	10	0.11
	3	25	ONWS3PB	1SCA022532R9440	10	0.13
	4	25	ONWS4PB	1SCA022532R9520	10	0.14
	5	25	ONWS5PB	1SCA022624R6440	10	
1 - 2	1	45	OL40WS1PB	1SCA022761R1610	10	0.17
	2	45	OL40WS2PB	1SCA022761R1700	10	0.25
	3	45	OL40WS3PB	1SCA022761R1880	10	0.33
	4	45	OL40WS4PB	1SCA022761R1960	10	0.41

Door mounted, screw mounted handle

1 - 2	1	25	ONWS1RB	1SCA100236R1001	10	0.09
	2	25	ONWS2RB	1SCA100240R1001	10	0.11
	3	25	ONWS3RB	1SCA022874R9180	10	0.13
	4	25	ONWS4RB	1SCA100254R1001	10	0.14
1 - 2	1	40	OL40WS1RB	1SCA100316R1001	10	0.17
	2	40	OL40WS2RB	1SCA100319R1001	10	0.25
	3	40	OL40WS3RB	1SCA100320R1001	10	0.33
	4	40	OL40WS4RB	1SCA100321R1001	10	0.41
1 - 2	1	63	OL63WS1RB	1SCA111595R1001	1	0.34
	2	63	OL63WS2RB	1SCA111545R1001	1	0.45
	3	63	OL63WS3RB	1SCA111546R1001	1	0.56
	4	63	OL63WS4RB	1SCA111547R1001	1	0.67
1 - 2	1	80	OL80NWS1RB	1SCA111647R1001	1	0.34
	2	80	OL80NWS2RB	1SCA111633R1001	1	0.45
	3	80	OL80NWS3RB	1SCA111634R1001	1	0.56
	4	80	OL80NWS4RB	1SCA111635R1001	1	0.67
1 - 2	1	150	OL125WS1RB	1SCA022790R2340	1	0.34
	2	150	OL125WS2RB	1SCA022790R2420	1	0.45
	3	150	OL125WS3RB	1SCA022790R2510	1	0.56
	4	150	OL125WS4RB	1SCA022790R2690	1	0.67
1 - 2	1	175	OL160WS1RB	1SCA022790R8030	1	0.34
	2	175	OL160WS2RB	1SCA022790R8110	1	0.45
	3	175	OL160WS3RB	1SCA022790R8200	1	0.56
	4	175	OL160WS4RB	1SCA022790R8380	1	0.67
1 - 2	1	315	OL200WS1RB	1SCA022790R8460	1	2.00
	2	315	OL200WS2RB	1SCA022790R8540	1	3.10
	3	315	OL200WS3RB	1SCA022790R8620	1	4.20
	4	315	OL200WS4RB	1SCA022790R8710	1	5.30

Packing sizes for 10 pcs: OM 130 x 100 x 120 [mm]
ON, OL40 250 x 100 x 110 [mm]



Change-over switches

Black handle and front plate with position indication are included.
The type and the ordering number are for one piece.

Function	Number of poles	Rated thermal current I_{th} [A]	Type	Order number	Delivery batch [pcs]	Weight/unit [kg]
----------	-----------------	------------------------------------	------	--------------	----------------------	------------------

Without 0-position, step angle 60°

Door mounted, round front ring

1 - 2	1	25	ONWS1XB	1SCA022709R1270	10	0.09
	2	25	ONWS2XB	1SCA022709R1350	10	0.11
	3	25	ONWS3XB	1SCA022709R1430	10	0.13
	4	25	ONWS4XB	1SCA022709R1510	10	0.14

DIN-rail mounted

1 - 2	1	25	ONWS1M	1SCA022532R8710	10	0.09
	2	25	ONWS2M	1SCA022532R8800	10	0.11
	3	25	ONWS3M	1SCA022532R8980	10	0.13
	4	25	ONWS4M	1SCA022532R9010	10	0.14

With overlapping contacts

Door mounted, snap-on mounted handle

1 - 2	1	10	OMWC1PB	1SCA022799R8270	10	0.09
	2	10	OMWC2PB	1SCA022799R8600	10	0.11
	3	10	OMWC3PB	1SCA022799R9080	10	0.13
	4	10	OMWC4PB	1SCA022799R9160	10	0.14

1 - 2	1	25	ONWC1PB	1SCA022799R8350	10	0.09
	2	25	ONWC2PB	1SCA022799R8780	10	0.11
	3	25	ONWC3PB	1SCA022799R9240	10	0.13
	4	25	ONWC4PB	1SCA022799R9320	10	0.14

1 - 2	1	45	OL40WC1PB	1SCA022799R8430	10	0.17
	2	45	OL40WC2PB	1SCA022799R8860	10	0.25
	3	45	OL40WC3PB	1SCA022799R9410	10	0.33
	4	45	OL40WC4PB	1SCA022799R9590	10	0.41

Door mounted, screw mounted handle

1 - 2	1	63	OL63WC1RB	1SCA111596R1001	1	0.34
	2	63	OL63WC2RB	1SCA111597R1001	1	0.45
	3	63	OL63WC3RB	1SCA111598R1001	1	0.56
	4	63	OL63WC4RB	1SCA111599R1001	1	0.67

1 - 2	1	80	OL80NWC1RB	1SCA111648R1001	1	0.34
	2	80	OL80NWC2RB	1SCA111649R1001	1	0.45
	3	80	OL80NWC3RB	1SCA111650R1001	1	0.56
	4	80	OL80NWC4RB	1SCA111651R1001	1	0.67

With common center position and with overlapping contacts

Door mounted, snap-on mounted handle

1 - (1 + 2) - 2	3	25	ONUC3PB	1SCA022791R0360	10	0.13
	4	25	ONUC4PB	1SCA022791R0280	10	0.14
1 - (1 + 2) - 2	3	45	OL40UC3PB	1SCA022791R0870	10	0.13
	4	45	OL40UC4PB	1SCA022791R0950	10	0.14

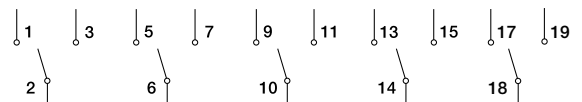
Door mounted, screw mounted handle

1 - (1 + 2) - 2	3	63	OL63UC3RB	1SCA111593R1001	1	0.56
	4	63	OL63UC4RB	1SCA111594R1001	1	0.67
1 - (1 + 2) - 2	3	80	OL80UC3RB	1SCA111645R1001	1	0.56
	4	80	OL80UC4RB	1SCA111646R1001	1	0.67

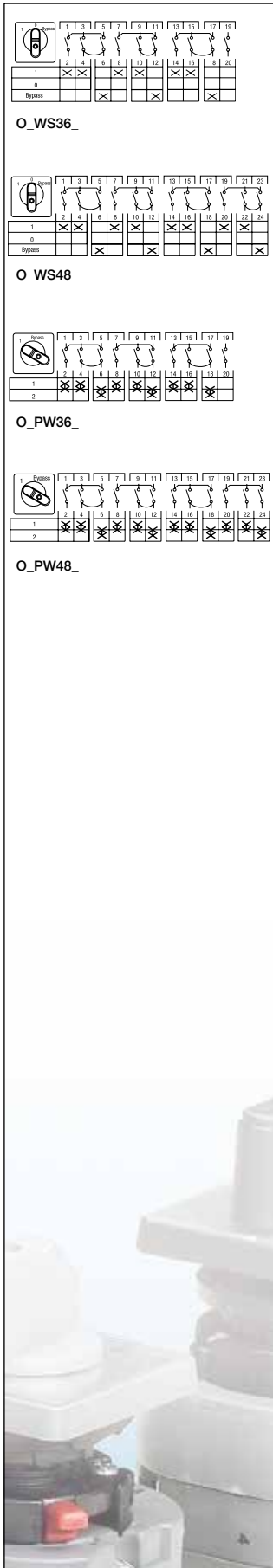
1 - (1 + 2) - 2	3	150	OL125UC3RB	1SCA022791R1500	1	0.56
	4	150	OL125UC4RB	1SCA022791R2060	1	0.67
1 - (1 + 2) - 2	3	175	OL160UC3RB	1SCA022791R1680	1	0.56
	4	175	OL160UC4RB	1SCA022791R2140	1	0.67

1 - (1 + 2) - 2	3	315	OL200UC3RB	1SCA022791R1760	1	4.20
	4	315	OL200UC4RB	1SCA022791R2220	1	5.30

Wiring diagram (O_WS_, O_WC_, O_UC_)



Packing sizes for 10 pcs: OM 130 x 100 x 120 [mm]
ON, OL40 250 x 100 x 110 [mm]



Bypass switches

Black handle and front plate with position indication are included.
The type and the ordering number are for one piece.

Function	Number of poles	Rated thermal current I_{th} [A]	Type	Order number	Delivery batch [pcs]	Weight/unit [kg]
----------	-----------------	------------------------------------	------	--------------	----------------------	------------------

With 0-position, step angle 60°, without overlapping, 3 and 4- pole network

Door mounted, snap-on mounted handle

1 - 0 - Bypass	3 / 6	25	ONWS36PB	1SCA022791R0440	10	0.17
	4 / 8	25	ONWS48PB	1SCA022791R0520	10	0.19
1 - 0 - Bypass	3 / 6	45	OL40WS36PB	1SCA022791R1090	10	0.21
	4 / 8	45	OL40WS48PB	1SCA022791R1170	10	0.31

Door mounted, screw mounted handle

1 - 0 - Bypass	3 / 6	63	OL63WS36RB	1SCA111600R1001	1	0.78
	4 / 8	63	OL63WS48RB	1SCA111601R1001	1	0.89
1 - 0 - Bypass	3 / 6	80	OL80NWS36RB	1SCA111652R1001	1	0.78
	4 / 8	80	OL80NWS48RB	1SCA111653R1001	1	0.89
1 - 0 - Bypass	3 / 6	150	OL125WS36RB	1SCA022791R2570	1	0.78
	4 / 8	150	OL125WS48RB	1SCA022791R3030	1	0.89
1 - 0 - Bypass	3 / 6	175	OL160WS36RB	1SCA022791R2650	1	0.78
	4 / 8	175	OL160WS48RB	1SCA022791R3110	1	0.89
1 - 0 - Bypass	3 / 6	315	OL200WS36RB	1SCA022791R2730	1	6.40
	4 / 8	315	OL200WS48RB	1SCA022791R3200	1	7.50

Without 0-position, step angle 60°, with overlapping, 3 and 4- pole network

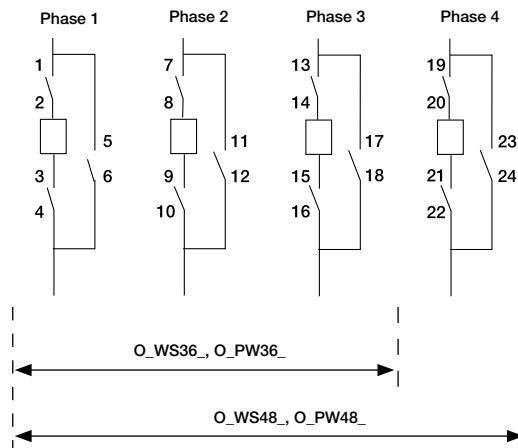
Door mounted, snap-on mounted handle

1 - Bypass	3 / 6	25	ONPW36PB	1SCA022791R0610	10	0.17
	4 / 8	25	ONPW48PB	1SCA022791R0790	10	0.19
1 - Bypass	3 / 6	45	OL40PW36PB	1SCA022791R1250	10	0.21
	4 / 8	45	OL40PW48PB	1SCA022791R1330	10	0.31

Door mounted, screw mounted handle

1 - Bypass	3 / 6	63	OL63PW36RB	1SCA111591R1001	1	0.78
	4 / 8	63	OL63PW48RB	1SCA111592R1001	1	0.89
1 - Bypass	3 / 6	80	OL80NPW36RB	1SCA111641R1001	1	0.78
	4 / 8	80	OL80NPW48RB	1SCA111642R1001	1	0.89
1 - Bypass	3 / 6	150	OL125PW36RB	1SCA022791R3540	1	0.78
	4 / 8	150	OL125PW48RB	1SCA022791R4010	1	0.89
1 - Bypass	3 / 6	175	OL160PW36RB	1SCA022791R3620	1	0.78
	4 / 8	175	OL160PW48RB	1SCA022791R4190	1	0.89
1 - Bypass	3 / 6	315	OL200PW36RB	1SCA022791R3710	1	6.40
	4 / 8	315	OL200PW48RB	1SCA022791R4270	1	7.50

Wiring diagram, bypass switches

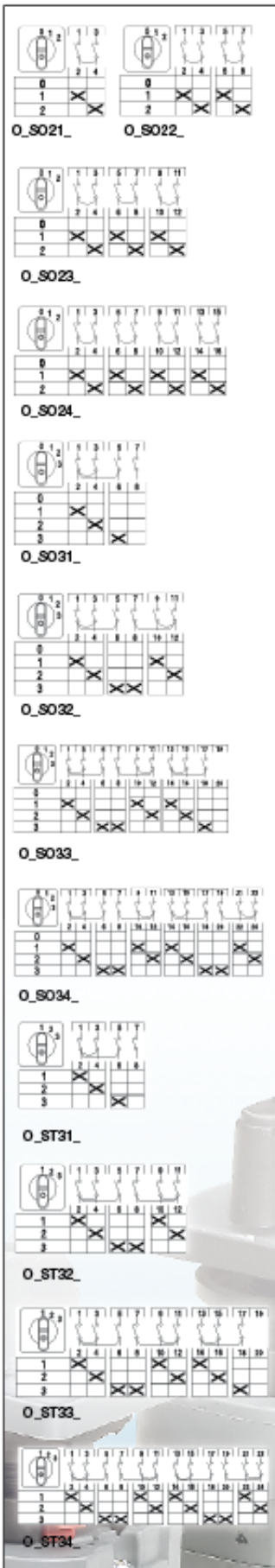


Packing sizes for 10 pcs:	OM	130 x 100 x 120 [mm]
	ON, OL40	250 x 100 x 110 [mm]

Multistep switches

Black handle and front plate with position indication are included.
The type and the ordering number are for one piece.

Step angle 30°



Function	Number of poles	Rated thermal current I_{th} [A]	Type	Order number	Delivery batch [pcs]	Weight/unit [kg]
2- step, with O-position						
Door mounted, snap-on mounted handle						
0 - 1 - 2	1	10	OMSO21PB	1SCA022533R0880	10	0.04
	2	10	OMSO22PB	1SCA022533R0960	10	0.05
	3	10	OMSO23PB	1SCA022533R1000	10	0.06
	4	10	OMSO24PB	1SCA022533R1180	10	0.07
0 - 1 - 2	1	25	ONSO21PB	1SCA022532R9610	10	0.10
	2	25	ONSO22PB	1SCA022532R9790	10	0.12
	3	25	ONSO23PB	1SCA022532R9870	10	0.13
	4	25	ONSO24PB	1SCA022532R9950	10	0.14
Door mounted, screw mounted handle						
0 - 1 - 2	1	25	ONSO21RB	1SCA100283R1001	10	0.10
	2	25	ONSO22RB	1SCA100285R1001	10	0.12
Door mounted, round front ring						
0 - 1 - 2	1	25	ONSO21XB	1SCA022709R2080	10	0.10
	2	25	ONSO22XB	1SCA022709R2160	10	0.12
DIN-Rail mounted						
0 - 1 - 2	1	25	ONSO21M	1SCA022532R9100	10	0.10
3- step, with O-position						
Door mounted, snap-on mounted handle						
0 - 1 - 2 - 3	1	10	OMSO31PB	1SCA022545R3110	10	0.05
	2	10	OMSO32PB	1SCA022533R1420	10	0.06
	3	10	OMSO33PB	1SCA022533R1510	10	0.07
	4	10	OMSO34PB	1SCA022533R1690	10	0.08
0 - 1 - 2 - 3	1	25	ONSO31PB	1SCA022533R0020	10	0.10
	2	25	ONSO32PB	1SCA022533R0110	10	0.12
	3	25	ONSO33PB	1SCA022533R0290	10	0.13
	4	25	ONSO34PB	1SCA022533R0370	10	0.14
0 - 1 - 2 - 3	1	45	OL40SO31PB	1SCA022758R7810	10	0.41
Door mounted, screw mounted handle						
0 - 1 - 2 - 3	1	25	ONSO31RB	1SCA100286R1001	10	0.10
0 - 1 - 2 - 3	1	63	OL63SO31RB	1SCA111603R1001	1	0.41
	1	80	OL80NSO31RB	1SCA111655R1001	1	0.41
	1	150	OL125SO31RB	1SCA022791R4510	1	0.41
	1	175	OL160SO31RB	1SCA022791R4600	1	0.41
	1	315	OL200SO31RB	1SCA022791R4780	1	1.75
Door mounted, round front ring						
0 - 1 - 2 - 3	1	25	ONSO31XB	1SCA022709R2830	10	0.10
DIN-rail mounted						
0 - 1 - 2 - 3	1	25	ONSO31M	1SCA022532R9280	10	0.11

Packing sizes for 10 pcs: OM 130 x 100 x 120 [mm]
ON, OL40 250 x 100 x 110 [mm]

Multistep switches

Black handle and front plate with position indication are included.
The type and the ordering number are for one piece.

Step angle 30°

Function	Number of poles	Rated thermal current I _{th} [A]	Type	Order number	Delivery batch [pcs]	Weight/unit [kg]
----------	-----------------	---	------	--------------	----------------------	------------------

3- step, without O-position

See the O_ST31_ - 34_ function charts on the previous page

Door mounted, snap-on mounted handle

1 - 2 - 3	1	10	OMST31PB	1SCA022533R2580	10	0.05
	2	10	OMST32PB	1SCA022533R4010	10	0.06
	3	10	OMST33PB	1SCA022533R4100	10	0.07
	4	10	OMST34PB	1SCA022533R4280	10	0.08
1 - 2 - 3	1	25	ONST31PB	1SCA022533R2740	10	0.10
	2	25	ONST32PB	1SCA022533R2820	10	0.12
	3	25	ONST33PB	1SCA022533R2910	10	0.13
	4	25	ONST34PB	1SCA022533R3040	10	0.14

Door mounted, screw mounted handle

1 - 2 - 3	1	25	ONST31RB	1SCA100287R1001	10	0.10
-----------	---	----	----------	-----------------	----	------

Door mounted, round front ring

1 - 2 - 3	1	25	ONST31XB	1SCA022709R4610	10	0.10
-----------	---	----	----------	-----------------	----	------

DIN-rail mounted

1 - 2 - 3	1	25	ONST31M	1SCA022533R2070	10	0.10
-----------	---	----	---------	-----------------	----	------

4- step, with O-position

Door mounted, snap-on mounted handle

0 - 1 - 2 - 3 - 4	1	10	OMSO41PB	1SCA022533R1770	10	0.05
	2	10	OMSO42PB	1SCA022533R1850	10	0.06
	3	10	OMSO43PB	1SCA022533R3710	10	0.07
0 - 1 - 2 - 3 - 4	1	25	ONSO41PB	1SCA022533R0450	10	0.11
	2	25	ONSO42PB	1SCA022533R0530	10	0.12
	3	25	ONSO43PB	1SCA022533R2230	10	0.13

4- step, without O-position

Door mounted, snap-on mounted handle

1 - 2 - 3 - 4	1	10	OMST41PB	1SCA022533R4440	10	0.05
	2	10	OMST42PB	1SCA022533R4610	10	0.06
	3	10	OMST43PB	1SCA022533R4790	10	0.07
1 - 2 - 3 - 4	1	25	ONST41PB	1SCA022533R3210	10	0.11
	2	25	ONST42PB	1SCA022533R3390	10	0.12
	3	25	ONST43PB	1SCA022533R3470	10	0.13

Door mounted, screw mounted handle

1 - 2 - 3 - 4	1	25	ONST41RB	1SCA100288R1001	10	0.11
---------------	---	----	----------	-----------------	----	------

Door mounted, round front ring

1 - 2 - 3 - 4	1	25	ONST41XB	1SCA022709R5420	10	0.11
---------------	---	----	----------	-----------------	----	------

5- step, with O-position

Door mounted, snap-on mounted handle

0 - 1 - 2 - 3 - 4 - 5	1	10	OMSO51PB	1SCA022533R3800	10	0.06
	2	10	OMSO52PB	1SCA022533R3980	10	0.08
0 - 1 - 2 - 3 - 4 - 5	1	25	ONSO51PB	1SCA022533R2310	10	0.12
	2	25	ONSO52PB	1SCA022533R2400	10	0.14

5- step, without O-position

Door mounted, snap-on mounted handle

1 - 2 - 3 - 4 - 5	1	10	OMST51PB	1SCA022533R4870	10	0.06
	2	10	OMST52PB	1SCA022533R5090	10	0.08
1 - 2 - 3 - 4 - 5	1	25	ONST51PB	1SCA022533R3550	10	0.12
	2	25	ONST52PB	1SCA022533R3630	10	0.14

Packing sizes for 10 pcs: OM 130 x 100 x 120 [mm]
ON, OL40 250 x 100 x 110 [mm]

Multistep switches

Black handle and front plate with position indication are included.
The type and the ordering number are for one piece.

Step angle 30°

Function	Number of poles	Rated thermal current I _{th} [A]	Type	Order number	Delivery batch [pcs]	Weight/unit [kg]
----------	-----------------	---	------	--------------	----------------------	------------------

6-step, with 0-position

Door mounted, snap-on mounted handle

0-1-2-3-4-5-6	1	25	ONSO61PB	1SCA022776R1180	10	0.115
	2	25	ONSO62PB	1SCA022776R1260	10	0.190
	3	25	ONSO63PB	1SCA022776R1340	10	0.265
0-1-2-3-4-5-6	1	45	OL40SO61PB	1SCA022776R1420	10	0.185
	2	45	OL40SO62PB	1SCA022776R1510	10	0.305
	3	45	OL40SO63PB	1SCA022776R1690	10	0.425

6-step, without 0-position

Door mounted, snap-on mounted handle

1-2-3-4-5-6	1	25	ONST61PB	1SCA022761R6760	10	0.115
	2	25	ONST62PB	1SCA022776R1770	10	0.190
	3	25	ONST63PB	1SCA022776R1850	10	0.265
1-2-3-4-5-6	1	45	OL40ST61PB	1SCA022775R1380	10	0.185
	2	45	OL40ST62PB	1SCA022776R1930	10	0.305
	3	45	OL40ST63PB	1SCA022776R2070	10	0.425

7-step, with 0-position

Door mounted, snap-on mounted handle

0-1-2-3-4-5-6-7	1	25	ONSO71PB	1SCA022691R8480	10	0.14
	1	45	OL40SO71PB	1SCA022773R3300	10	0.30

7-step, without 0-position

Door mounted, snap-on mounted handle

1-2-3-4-5-6-7	1	25	ONST71PB	1SCA022776R2150	10	0.14
	1	45	OL40ST71PB	1SCA022776R2230	10	0.30

8-step, with 0-position

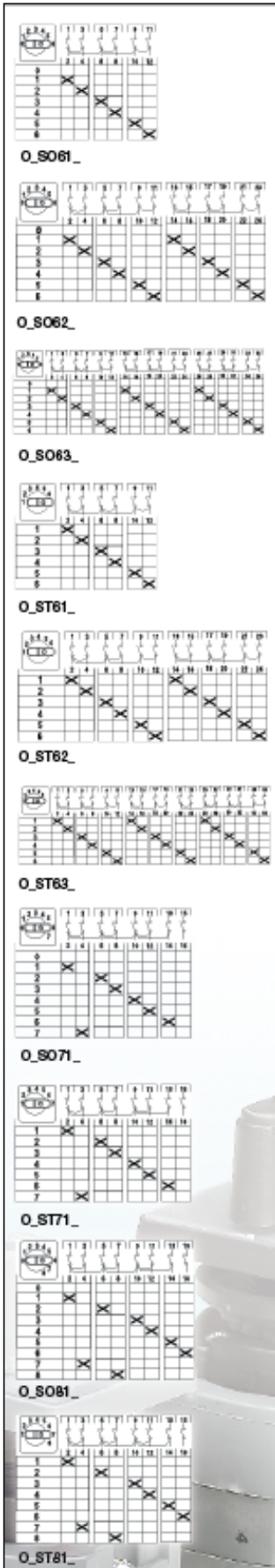
Door mounted, snap-on mounted handle

0-1-2-3-4-5-6-7-8	1	25	ONSO81PB	1SCA022661R9730	10	0.145
	1	45	OL40SO81PB	1SCA022773R3480	10	0.148

8-step, without 0-position

Door mounted, snap-on mounted handle

1-2-3-4-5-6-7-8	1	25	ONST81PB	1SCA022685R7320	10	0.145
	1	45	OL40ST81PB	1SCA022773R4960	10	0.148



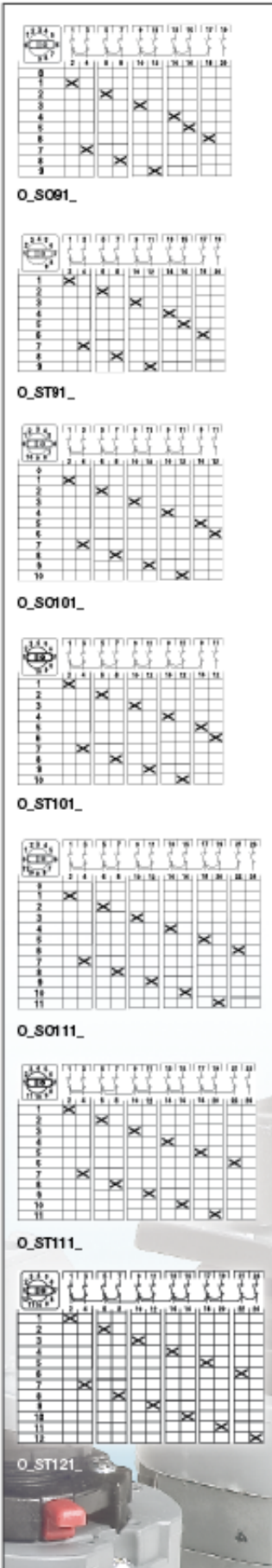
Packing sizes for 10 pcs: OM 130 x 100 x 120 [mm]
ON, OL40 250 x 100 x 110 [mm]

Multistep switches

Black handle and front plate with position indication are included.
The type and the ordering number are for one piece.

Step angle 30°

Function	Number of poles I_{th} [A]	Rated thermal current	Type	Order number	Delivery batch [pcs]	Weight/unit [kg]
9-step, with 0-position						
Door mounted, snap-on mounted handle						
0-1-2-3-4-5-6-7-8-9	1	25	ONSO91PB	1SCA022776R2310	5	0.165
	1	45	OL40SO91PB	1SCA022776R2400	5	0.265
9-step, without 0-position						
Door mounted, snap-on mounted handle						
1-2-3-4-5-6-7-8-9	1	25	ONST91PB	1SCA022775R1710	5	0.165
	1	45	OL40ST91PB	1SCA022775R1460	5	0.265
10-step, with 0-position						
Door mounted, snap-on mounted handle						
0-1-2-3-4-5-6-7-8-9-10	1	25	ONSO101PB	1SCA022776R2580	5	0.17
	1	45	OL40SO101PB	1SCA022776R2660	5	0.27
10-step, without 0-position						
Door mounted, snap-on mounted handle						
1-2-3-4-5-6-7-8-9-10	1	25	ONST101PB	1SCA022775R1540	5	0.17
	1	45	OL40ST101PB	1SCA022775R1110	5	0.27
11-step, with 0-position						
Door mounted, snap-on mounted handle						
0-1-2-3-4-5-6-7-8-9-10-11	1	25	ONSO111PB	1SCA022776R2740	5	0.19
	1	45	OL40SO111PB	1SCA022776R2820	5	0.305
11-step, without 0-position						
Door mounted, snap-on mounted handle						
1-2-3-4-5-6-7-8-9-10-11	1	25	ONST111PB	1SCA022776R2910	5	0.19
	1	45	OL40ST111PB	1SCA022776R3040	5	0.305
12-step, without 0-position						
Door mounted, snap-on mounted handle						
1-2-3-4-5-6-7-8-9-10-11-12	1	25	ONST121PB	1SCA022775R1620	5	0.195
	1	45	OL40ST121PB	1SCA022775R1200	5	0.31



Packing sizes for 10 pcs: OM 130 x 100 x 120 [mm]
ON, OL40 250 x 100 x 110 [mm]

Motor control switches

Black handle and front plate with position indication are included.
The type and the ordering number are for one piece.

Function	Number of poles	Rated thermal current I _{th} [A]	Motor rating AC23/400V [kW]	Type	Order number	Delivery batch [pcs]	Weight/unit [kg]
----------	-----------------	---	-----------------------------	------	--------------	----------------------	------------------

Ventilation switches

Door mounted, snap-on mounted handle

A - 0 - 1/2 - 1/1	2	10	3.0	OMST301PB	1SCA022533R4360	10	0.06
	2	25	7.5	ONST301PB	1SCA022533R3120	10	0.11
	2	40	15	OL40ST301PB	1SCA022761R6680	10	0.21

DIN-rail mounted

A - 0 - 1/2 - 1/1	2	25	7.5	ONST301M	1SCA022533R2150	10	0.11
-------------------	---	----	-----	----------	-----------------	----	------

Reversing switches

Door mounted, snap-on mounted handle

1 - 0 - 2	2	25	7.5	ONW2PB	1SCA022586R8230	10	0.09
	2	40	15	OL40W2PB	1SCA022757R5550	10	0.15
1 - 0 - 2	3	25	7.5	ONW3PB	1SCA022553R8790	10	0.10
	3	40	15	OL40W3PB	1SCA022757R5630	10	0.21

Door mounted, screw mounted handle

1 - 0 - 2	2	63	18	OL63W2RB	1SCA111588R1001	1	0.45
	2	80	22.5	OL80NW2RB	1SCA111638R1001	1	0.45

Star-delta switches

Door mounted, snap-on mounted handle

0 - Y - Δ	3	25	7.5	ONSDPB	1SCA022579R1420	10	0.12
	3	40	15	OL40SDPB	1SCA022756R3110	10	0.21

Door mounted, screw mounted handle

0 - Y - Δ	3	63	18	OL63SDRB	1SCA111586R1001	1	0.67
	3	80	22.5	OL80NSDRB	1SCA111636R1001	1	0.67
	3	150	75	OL125SDRB	1SCA022791R5080	1	0.67
	3	175	75	OL160SDRB	1SCA022791R5160	1	0.67
	3	315	75	OL200SDRB	1SCA022791R5240	1	5.30

Pole-change switches (Dahlander)

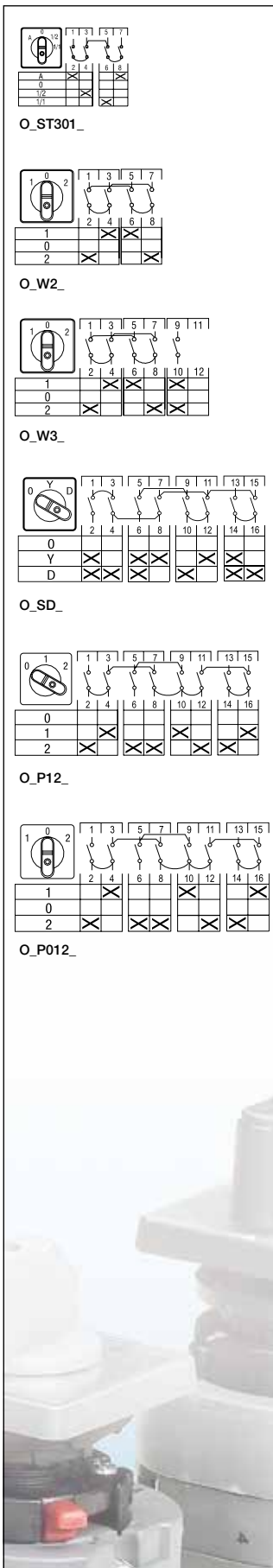
Winding for 2 speeds, one direction, 0 - A - AYY

Door mounted, snap-on mounted handle

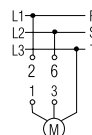
0 - 1 - 2	3	25	7.5	ONP12PB	1SCA022576R6740	10	0.12
	3	40	15	OL40P12PB	1SCA022756R3380	10	0.25

Door mounted, screw mounted handle

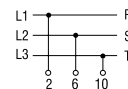
1 - 0 - 2	3	63	18	OL63P012RB	1SCA111587R1001	1	0.67
	3	80	22.5	OL80NP012RB	1SCA111637R1001	1	0.67
	3	150	75	OL125P012RB	1SCA022791R5590	1	0.67
	3	175	75	OL160P012RB	1SCA022791R5670	1	0.67
	3	315	75	OL200P012RB	1SCA022791R5750	1	5.30



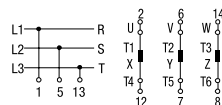
O_ST301



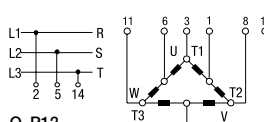
O_W2_



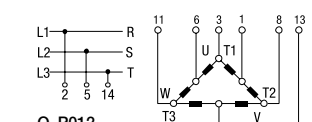
O_W3_



O_SD_

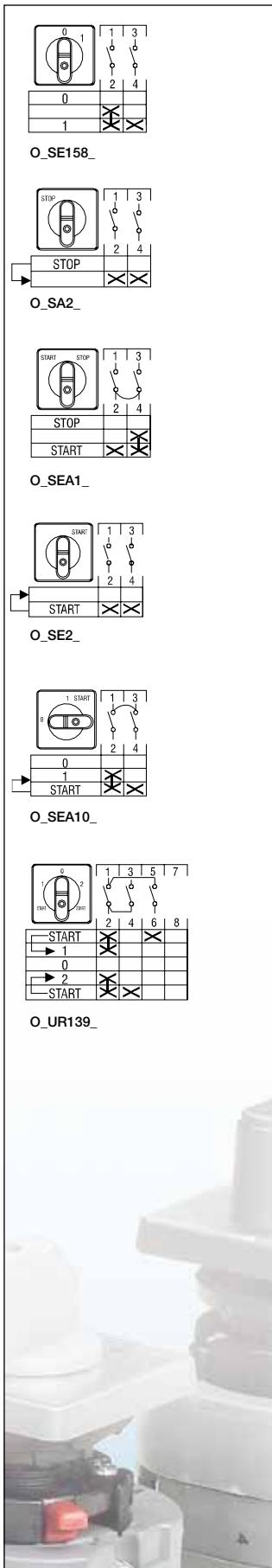


O_P12_



O_P012_

Packing sizes for 10 pcs: OM 130 x 100 x 120 [mm]
ON, OL40 250 x 100 x 110 [mm]



Motor control switches

Black handle and front plate with position indication are included.
The type and the ordering number are for one piece.

Function	Number of poles	Rated thermal current I_{th} [A]	Type	Order number	Delivery batch [pcs]	Weight/unit [kg]
----------	-----------------	------------------------------------	------	--------------	----------------------	------------------

Pumpstart switches

Step angle 60°

Door mounted, snap-on mounted handle

0 - 1	1	10	OMSE158PB	1SCA022545R4930	10	0.04
	1	25	ONSE158PB	1SCA022534R2540	10	0.09

DIN-rail mounted

0 - 1	1	25	ONSE158M	1SCA022565R5830	10	0.09
-------	---	----	----------	-----------------	----	------

Stop switches

Step angle 30°, with spring return, contacts N.C.

Door mounted, snap-on mounted handle

0 _R - Stop	2	10	OMSA2PB	1SCA022531R6380	10	0.04
	2	25	ONSA2PB	1SCA022531R6710	10	0.09

Start switches

Step angle 30°, OMSE2_ with spring return.

Door mounted, snap-on mounted handle

Stop - Start	1	25	ONSEA1PB	1SCA022605R8610	10	0.04
0 _R - Start	1	10	OMSE2PB	1SCA022531R6460	10	0.04
	1	25	ONSE2PB	1SCA022563R6290	10	0.04

Step angle 90°- 30°, with spring return

Door mounted, snap-on mounted handle

0 - 1 _R - Start	1	10	OMSEA10PB	1SCA022531R6540	10	0.05
	1	25	ONSEA10PB	1SCA022531R6890	10	0.09
Start - 1 _R - 0 - 2 _R - Start	1	25	ONUR139PB	1SCA022531R6970	10	0.09

Door mounted, screw mounted handle

0 - 1 _R - Start	1	25	ONSEA10RB	1SCA100296R1001	10	0.09
----------------------------	---	----	-----------	-----------------	----	------

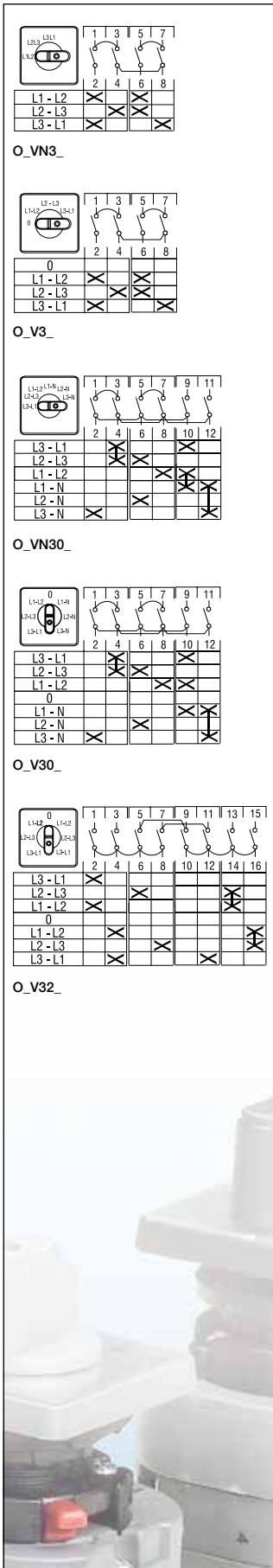
Door mounted, round front ring

0 - 1 _R - Start	1	25	ONSEA10XB	1SCA022708R9290	10	0.09
----------------------------	---	----	-----------	-----------------	----	------

DIN-rail mounted

0 - 1 _R - Start	1	25	ONSEA10M	1SCA022565R5750	10	0.09
Start - 1 _R - 0 - 2 _R - Start	1	25	ONUR139M	1SCA022568R3370	10	0.09

Packing sizes for 10 pcs: OM 130 x 100 x 120 [mm]
ON, OL40 250 x 100 x 110 [mm]



Voltmeter switches

Black handle and front plate with position indication are included.
The type and the ordering number are for one piece.

Function	Number of poles	Rated thermal current I_{th} [A]	Type	Order number	Delivery batch [pcs]	Weight/unit [kg]
----------	-----------------	------------------------------------	------	--------------	----------------------	------------------

3 Positions, 3 phase -3 wire, without 0-position, step angle 45°

Door mounted, snap-on mounted handle

L1-L2, L2-L3, L3-L1	2	10	OMVN3PB	1SCA022558R4470	10	0.06
	2	25	ONVN3PB	1SCA022558R4630	10	0.11

DIN-rail mounted

L1-L2, L2-L3, L3-L1	2	25	ONVN3M	1SCA022558R4800	10	0.11
---------------------	---	----	--------	-----------------	----	------

4 Positions, 3 phase -3 wire, with 0-position, step angle 45°

Door mounted, snap-on mounted handle

0, L1-L2, L2-L3, L3-L1	2	10	OMV3PB	1SCA022533R5250	10	0.06
	2	25	ONV3PB	1SCA022533R5680	10	0.11

Door mounted, screw mounted handle

0, L1-L2, L2-L3, L3-L1	2	25	ONV3RB	1SCA100323R1001	10	0.11
------------------------	---	----	--------	-----------------	----	------

Door mounted, round front ring

0, L1-L2, L2-L3, L3-L1	2	25	ONV3XB	1SCA022709R6580	10	0.13
------------------------	---	----	--------	-----------------	----	------

DIN-rail mounted

0, L1-L2, L2-L3, L3-L1	2	25	ONV3M	1SCA022549R9280	10	0.11
------------------------	---	----	-------	-----------------	----	------

6 Positions, 3 phase to phase 3 phase to neutral, without 0-position, step angle 30°

Door mounted, snap-on mounted handle

L3-L1, L2-L3, L1-L2,	3	10	OMVN30PB	1SCA022533R5330	10	0.08
L1-N, L2-N, L3-N	3	25	ONVN30PB	1SCA022533R5760	10	0.12

DIN-rail mounted

L3-L1, L2-L3, L1-L2, L1-N, L2-N, L3-N	3	25	ONVN30M	1SCA022549R9010	10	0.12
---------------------------------------	---	----	---------	-----------------	----	------

7 Positions, 3 phase to phase 3 phase to neutral, with 0-position, step angle 45°

Door mounted, snap-on mounted handle

L3-L1, L2-L3, L1-L2,	3	10	OMV30PB	1SCA022533R5170	10	0.12
0, L1-N, L2-N, L3-N	3	25	ONV30PB	1SCA022533R5500	10	0.12

Door mounted, screw mounted handle

L3-L1, L2-L3, L1-L2, 0, L1-N, L2-N, L3-N	3	25	ONV30RB	1SCA100263R1001	10	0.12
--	---	----	---------	-----------------	----	------

Door mounted, round front ring

L3-L1, L2-L3, L1-L2, 0, L1-N, L2-N, L3-N	3	25	ONV30XB	1SCA022709R7120	10	0.15
--	---	----	---------	-----------------	----	------

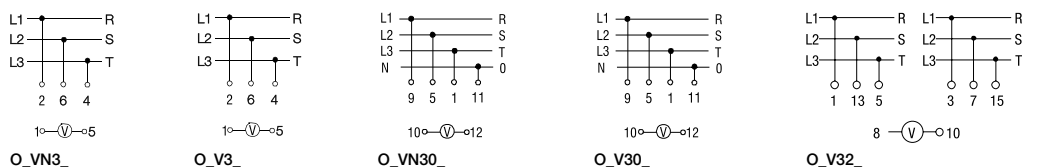
DIN-rail mounted

L3-L1, L2-L3, L1-L2, 0, L1-N, L2-N, L3-N	3	25	ONV30M	1SCA022549R9100	10	0.12
--	---	----	--------	-----------------	----	------

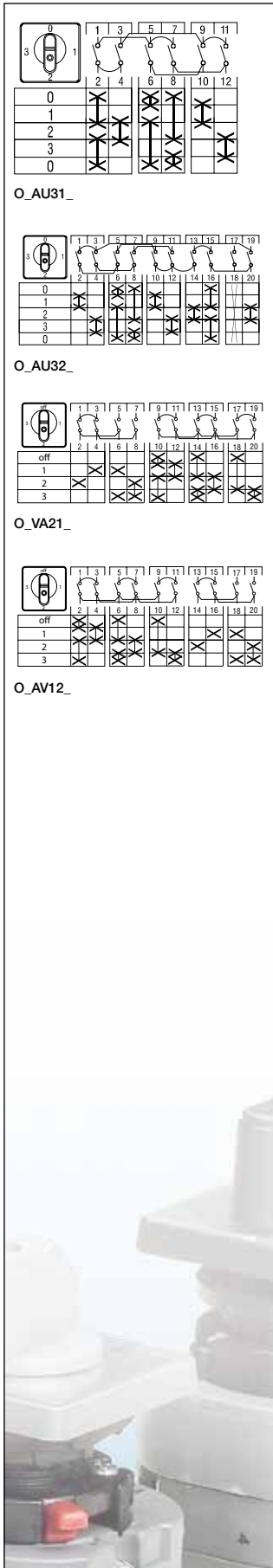
7 Positions, 3 phase to phase voltages for 2 circuits, with 0 position, step angle 45°

Door mounted, snap-on mounted handle

L3-L1, L2-L3, L1-L2,	4	10	OMV32PB	1SCA022549R7740	10	0.14
0, L1-L2, L2-L3, L3-L1	4	25	ONV32PB	1SCA022549R7820	10	0.14



Packing sizes for 10 pcs: OM 130 x 100 x 120 [mm]
ON, OL40 250 x 100 x 110 [mm]



Ammeter switches

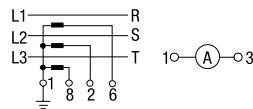
Black handle and front plate with position indication are included.
The type and the ordering number are for one piece.

Function	Rated thermal current I_{th} [A]	Type	Order number	Delivery batch [pcs]	Weight/unit [kg]
For 3 current transformer circuits, with 0-position, step angle 90°					
Single pole					
Door mounted, snap-on mounted handle					
0-1-2-3	10	OMAU31PB	1SCA022533R5410	10	0.12
	25	ONAU31PB	1SCA022533R5840	10	0.12
Door mounted, screw mounted handle					
0-1-2-3	25	ONAU31RB	1SCA100324R1001	10	0.12
0-1-2-3	40	OL40AU31RB	1SCA100322R1001	10	0.17
Door mounted, round front ring					
0-1-2-3	25	ONAU31XB	1SCA022709R7550	10	0.14
DIN-rail mounted					
0-1-2-3	25	ONAU31M	1SCA022549R9360	10	0.12
2 pole or direct measurement in 3 phases					
Door mounted, snap-on mounted handle					
0-1-2-3	25	ONAU32PB	1SCA022558R4210	10	0.15

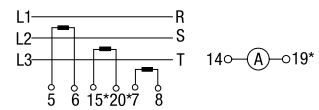
Volt-ammeter switches

Black handle and frontplate with position indication are included.
The type and the ordering number are for one piece.

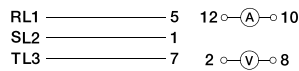
Function	Rated thermal current I_{th} [A]	Type	Order number	Delivery batch [pcs]	Weight/unit [kg]
Measuring between phases and 3 current transformers with common pole, step angle 90°					
Door mounted, snap-on mounted handle					
OFF-1-2-3	25	ONVA21PB	1SCA022803R4170	10	0.17
	25	ONAV12PB	1SCA022803R4250	10	0.17



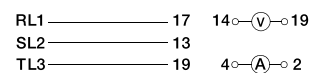
O_AU31_



O_AU32_



O_VA



O_AV

Packing sizes for 10 pcs: OM 130 x 100 x 120 [mm]
ON, OL40 250 x 100 x 110 [mm]

Binarycode switches

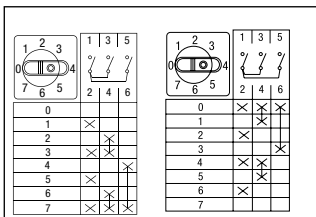
Black handle and front plate with position indication are included.
The type and the ordering number are for one piece.

Function	Number of poles	Rated thermal current I_{th} [A]	Type	Order number	Delivery batch [pcs]	Weight/unit [kg]
----------	-----------------	------------------------------------	------	--------------	----------------------	------------------

With 0-position, step angle 30°

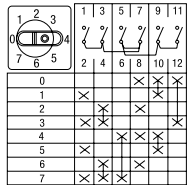
Door mounted, snap-on mounted handle

0-1-2-3-4-5-6-7	1	25	ONBC070PB	1SCA022803R3360	10	0.05
	1	25	ONBC071PB	1SCA022803R3440	10	0.05
	2	25	ONBC072PB	1SCA022803R3520	10	0.13
0-1-2-3-4-5-6-7-8-9	1	25	ONBC090PB	1SCA022803R3610	10	0.05
	1	25	ONBC091PB	1SCA022803R3790	10	0.05
	2	25	ONBC092PB	1SCA022803R3870	10	0.14
0-1-2-3-4-5-6-7-8-9-10-11	1	25	ONBC0110PB	1SCA022803R3950	10	0.05
	2	25	ONBC0112PB	1SCA022803R4090	10	0.14

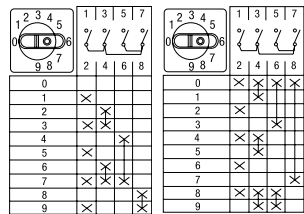


O_BC070_

O_BC071_

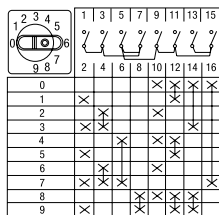


O_BC072_

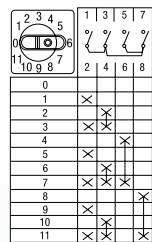


O_BC090_

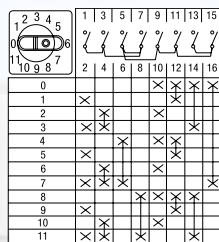
O_BC091_



O_BC092_

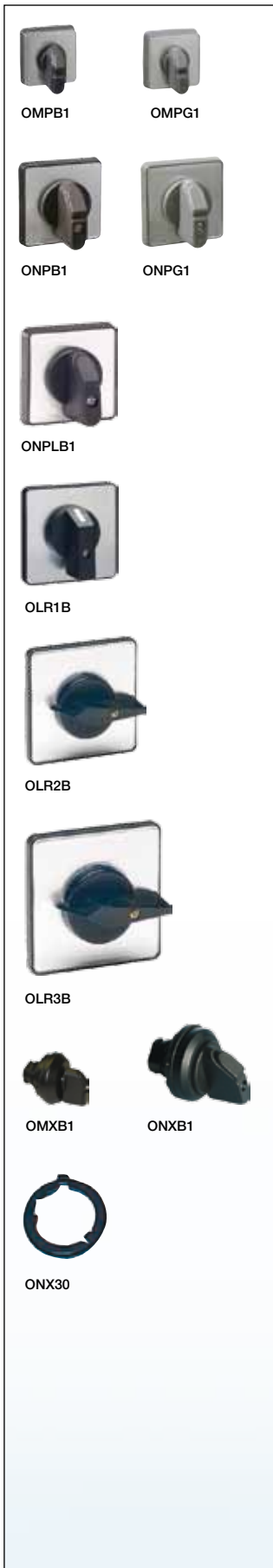


O_BC0110_



O_BC0112_

Packing sizes for 10 pcs: OM 130 x 100 x 120 [mm]
ON, OL40 250 x 100 x 110 [mm]



Handles

The type and the ordering number are for one piece.

Colour	For cam switches	Type	Order number	Delivery batch [pcs]	Weight/unit [kg]
--------	------------------	------	--------------	----------------------	------------------

Snap on handle with front plate without engraving

(The black handle is included in the standard delivery in types OM, ON, and OL40)

Size 30x30, 6 mm shaft

Black	OM	OMPB1	1SCA022553R7470	5	0.05
Grey	OM	OMPG1	1SCA022553R8010	5	0.05
Red	OM	OMPR1	1SCA022796R2830	5	0.05
Red-yellow	OM	OMPRY1	1SCA022796R2910	5	0.05

Size 48x48, 6 mm shaft

Black	ON_PB, OL40	ONPB1	1SCA022553R7550	5	0.08
Grey	ON_PB, OL40	ONPG1	1SCA022553R7630	5	0.08
Red	ON_PB, OL40	ONPR1	1SCA022796R3050	5	0.08
Red-yellow	ON_PB, OL40	ONPRY1	1SCA022796R3130	5	0.08

Snap on handle with large front plate without engraving

Size 64x64, 6 mm shaft

Black	ON_PB, OL40	ONPLB1	1SCA022776R5680	5	0.10
Grey	ON_PB, OL40	ONPLG1	1SCA022776R5760	5	0.10
Red	ON_PB, OL40	ONPLR1	1SCA022776R5840	5	0.10
Red-yellow	ON_PB, OL40	ONPLRY1	1SCA022776R5920	5	0.10

Screw mounting handle with front plate without engraving

(The black handle is included in the standard delivery in types OL 80...200)

Size 64x64, 6 mm shaft

Black	OL63, OL80N	OLR1B	1SCA111831R1001	10	0.10
Grey	OL63, OL80N	OLR1G	1SCA111833R1001	10	0.10
Red	OL63, OL80N	OLR1R	1SCA111834R1001	10	0.10

Size 90x90, 8 mm shaft

Black	OL125, OL160	OLR2B	1SCA022796R3720	10	0.10
Grey	OL125, OL160	OLR2G	1SCA022796R3810	10	0.10
Red	OL125, OL160	OLR2R	1SCA022796R3990	10	0.10

Size 130x130, 10 mm shaft

Black	OL200	OLR3B	1SCA022796R4110	10	0.10
Grey	OL200	OLR3G	1SCA022796R4290	10	0.10
Red	OL200	OLR3R	1SCA022796R4370	10	0.10

Snap on handle with round escutcheon plate

Black	OM	OMXB1	1SCA022629R7270	5	0.02
Black, nose-type	OM	OMXNB1	1SCA022577R9810	5	0.02
Black	ON_PB, OL40	ONXB1	1SCA022629R7350	5	0.02

Adaptor ring

For fixing the snap-on handles in the 30 mm door drilling.

Black	ON	ONX30	1SCA022643R8510	10	0.01
-------	----	-------	-----------------	----	------

More cam switches with padlockable handles can be configured on Internet by the Camweb configurator tool.

Optional handles

The type and the ordering number are for one piece.

Colour	For cam switches	Type	Order number	Delivery batch [pcs]	Weight/unit [kg]
--------	------------------	------	--------------	----------------------	------------------

Low extended handle knob

Replaces the standard knob in handles ONP_ and ONPL_.

Black	ON_, OL40_	ONSB1	1SCA100878R1001	5	0.02
Grey	ON_, OL40_	ONSG1	1SCA100879R1001	5	0.02

Knob-pistol type handle, screw mounting

Suitable for 6 mm shaft, replaces the standard handle, length 32 mm.

Black	ON_, OL40_, OL63_, OL80N_	OLZ20RB	1SCA112524R001	10	0.20
Red	ON_, OL40_, OL63_, OL80N_	OLZ20RRY	1SCA112525R001	10	0.20

Pistol type handle, screw mounting

Suitable for 8 mm shaft, replaces the standard handle, length 70 mm.

Black	OL125, OL160	OLZ8RB	1SCA116858R1001	5	0.20
Red	OL125, OL160	OLZ8RR	1SCA116859R1001	5	0.20

Suitable for 10 mm shaft, replaces the standard handle, length 130 mm.

Black	OL200	OLZ9RB	1SCA116860R1001	5	0.30
Red	OL200	OLZ9RR	1SCA116861R1001	5	0.30

Double lever handle, screw mounting

Suitable for 10 mm shaft, replaces the standard handle.

Black	OL200	OLZ3DB	1SCA022796R4960	1	0.30
Red	OL200	OLZ3DR	1SCA022796R5000	1	0.30

Padlockable optional handles

The type and the ordering number are for one piece.

Colour	For cam switches	Type	Order number	Delivery batch [pcs]	Weight/unit [kg]
--------	------------------	------	--------------	----------------------	------------------

Padlockable handles, optional extra for standard handle

The padlockable knob handle and the locking ring replace the handle knob of the standard handle.

Standard padlocking in the OFF-position at 9 o'clock. Padlocking in the ON-position (12 o'clock) by turning the control piece 180 degrees. Padlocking in both OFF-and ON-positions by removing a precut in the yellow locking ring.

Knob handle, for max 2 padlocks of 6 mm hasp diameter

Black	ON_PB, ON_M, OL40	ONZ20B	1SCA022621R1810	5	0.06
Red-yellow	ON_PB, ON_M, OL40	ONZ20RY	1SCA022621R1900	5	0.06

Knob pistol type handles with front plate without engraving, size 64x64, for max 3 padlocks of 6 mm hasp diameter, length 32 mm

Snap-on mounting handles (one-hole mounting)

Black	ON_PL_, OL40_PL_	OLZ20PB	1SCA112522R1001	10	0.2
Red-yellow	ON_PL_, OL40_PL_	OLZ20PRY	1SCA112523R1001	10	0.2

Screw mounting handles (four-hole mounting)

Black	ON_RL_, OL40...80N_	OLZ20RB	1SCA112524R1001	10	0.2
Red-yellow	ON_RL_, OL40...80N_	OLZ20RRY	1SCA112525R1001	10	0.2



More cam switches with padlockable handles can be configured on Internet by the Camweb configurator tool.

Padlockable optional handles

The type and the ordering number are for one piece.

Colour	For cam switches	Type	Order number	Delivery batch [pcs]	Weight/unit [kg]
--------	------------------	------	--------------	----------------------	------------------

Round padlockable handles

For max 3 padlocks with max 8 mm hasp diameter. Locking position (O, OFF) 9 o'clock or 12 o'clock when rotating. More locking possibilities with programmable square handle type _ 5 _ can be specified by the Camweb configurator tool. The moving angle 90 degrees.

Snap on mounting handle

IP65, NEMA 4X outdoor, size 66x66, suitable for 6 mm shaft (one-hole mounting)

Black	ON_PB, OL40_PB	OZ331PB	1SCA100657R1001	10	0.04
Red-yellow	ON_PB, OL40_PB	OZ331PRY	1SCA100664R1001	10	0.04

One hole on mounting handle with short shaft adaptor for low enclosures base mounting

IP65, NEMA 4X outdoor, size 66x66, suitable for 6 mm shaft

Black	ON_, OL40_B, OT16...80F	OZ331SPB	1SCA112983R1001	10	0.05
Red-yellow	ON_, OL40_B, OT16...80F	OZ331SPRY	1SCA113097R1001	10	0.05

Snap on mounting handle for increased protection

IP67, IP69K, NEMA 4X outdoor, size 66x66, suitable for 6 mm shaft (one-hole mounting)

Black	ON_PB, OL40_PB	OZ331P67B	1SCA111427R1001	10	0.04
Red-yellow	ON_PB, OL40_PB	OZ331P67RY	1SCA111429R1001	10	0.04

Snap on mounting handle with door coupling

Door coupling in ON-position without by-passing, IP65, NEMA 4X outdoor, size 66x66, suitable for 6 mm shaft (one-hole mounting), for base mounting only

Black	ON_PB, OL40_PB	OZ371PB	1SCA111684R1001	10	0.05
Red-yellow	ON_PB, OL40_PB	OZ371PRY	1SCA111685R1001	10	0.05

Screw mounting handles

IP65, NEMA 4X outdoor, size 66x66, suitable for 6 mm shaft (four-hole mounting)

Black	ON_RB, OL40_RB, OL63, OL80N	OZ331RB	1SCA100702R1001	10	0.04
Red-yellow	ON_RB, OL40_RB, OL63, OL80N	OZ331RRY	1SCA100678R1001	10	0.04

IP65, NEMA 4X outdoor, size 90x90, suitable for 8 mm shaft (four-hole mounting)

Black	OL125, OL160	OLZ332RB	1SCA022794R7790	10	0.10
Red-yellow	OL125, OL160	OLZ332RRY	1SCA022794R7870	10	0.10

Shaft guide for OZ371P_ handle

For base mounting switches with 6 mm shaft

Black	ON_PB, OL40_PB	OZG71	1SCA111686R1001	10	0.05
-------	----------------	-------	-----------------	----	------

Padlockable pistol type handles

Pistol type handle with front plate without engraving, length 70 mm, size 90x90, for max 3 padlocks of 6 mm hasp diameter, suitable for 8 mm shaft. Padlocking by the locking ring every 60 degrees or 90 degrees.

Black	OL125...160	OLZ208RB	1SCA116862R1001	5	0.3
Red-yellow	OL125...160	OLZ208RR	1SCA116863R1001	5	0.3

Pistol type handle, length 70 mm, for max 3 padlocks of 6 mm hasp diameter, suitable for 10 mm shaft. Padlocking by the locking ring every 60 degrees or 90 degrees. Replaces the standard handle on the 130x130 front plate.

Black	OL200	OLZ2010RB	1SCA116864R1001	5	0.45
Red-yellow	OL200	OLZ2010RR	1SCA116866R1001	5	0.45



OZ331_B



OZ331_RY



OZ371PB



OLZ332RB



OLZ332RRY



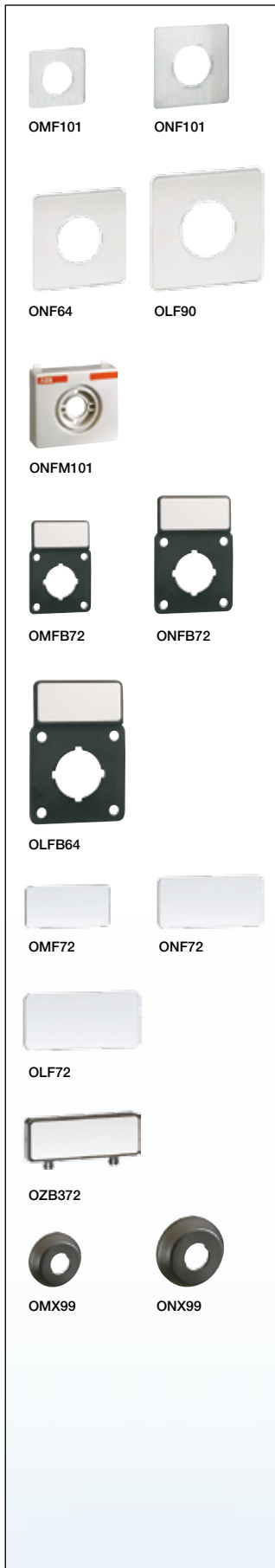
OZG71



OLZ208RB



OLZ2010RB



Front plates

The type and the ordering number are for one piece.

Colour	For cam switches/ handle size	Type	Order number	Delivery batch [pcs]	Weight/ unit [kg]
--------	----------------------------------	------	--------------	----------------------------	-------------------------

Front plates, without engraving

The text can be specified with Camweb tool.

Size 30x30

Silver	OM_ / OMP_1	OMF101	1SCA022540R4590	10	0.003
Yellow	OM_ / OMPR_1	OMFY101	1SCA022796R3210	10	0.003

Size 44x44

Silver	ON_P_, OL40_P_ / ONP_1	ONF101	1SCA022540R6290	10	0.003
Yellow	ON_P_, OL40_P_ / ONPR_1	ONFY101	1SCA022716R4250	10	0.003

Size 46x46

Silver	ON_R_, OL40_R_	ONRF101	1SCA106725R1001	10	0.003
Yellow	ON_R_, OL40_R_	ONRFY101	1SCA106726R1001	10	0.003

Size 64x64

Silver	ON_L_, OL40_L_ ¹⁾ , OL40...80N_ / ONPL_1	OLF64	1SCA022798R6260	10	0.003
Yellow	ON_L_, OL40_L_ ¹⁾ , OL40...80N_ / ONPLR_1	OLFY64	1SCA022798R6340	10	0.003

Size 90x90

Silver	OL125, OL160 / OLR2_	OLF90	1SCA022796R5180	10	0.01
Yellow	OL125, OL160 / OLR2_	OLFY90	1SCA022796R5260	10	0.01

Size 130x130

Silver	OL200 / OLR3_	OLF130	1SCA022796R5420	10	0.01
Yellow	OL200 / OLR3R_	OLFY130	1SCA022796R5340	10	0.01

Size H=45mm, W=54mm

Grey	ON_M	ONFM101	1SCA022553R8520	10	0.01
------	------	---------	-----------------	----	------

Additional lettering plates with frame without engraving for standard handles

Including the lettering plate and the frame. The text can be specified with Camweb tool.

Size 30x30

Black frame	OM	OMFB72	1SCA022555R4990	5	0.01
Grey frame	OM	OMFG72	1SCA022556R1850	5	0.01

Size 48x48

Black frame	ON_PB, OL 40	ONFB72	1SCA022555R5020	5	0.01
Grey frame	ON_PB, OL 40	ONFG72	1SCA022556R1930	5	0.01

Size 64x64

Black frame	ON_PB, OL 40...80N, ON_L_, OL40_L_ ¹⁾	OLFB64	1SCA022796R3300	10	0.01
Grey frame	ON_PB, OL 40...80N, ON_L_, OL40_L_ ¹⁾	OLFG64	1SCA022796R3480	10	0.01

Lettering plates, brushed aluminium, without frame

Without engraving. The text can be specified with Camweb tool.

Width 30	OM	OMF72	1SCA111687R1001	5	0.003
Width 48	ON, OL 40	ONF72	1SCA111688R1001	5	0.003
Width 64	ON, OL 40...80N, ON_L_, OL40_L_ ¹⁾	OLF72	1SCA111689R1001	5	0.003

Lettering plates for round padlockable handle types

Including the lettering plate and the frame

For OZ33_ and OZ371	OZB372	1SCA113098R1001	5	0.006
---------------------	--------	-----------------	---	-------

Front ring

Black	OM	OMX99	1SCA022553R8100	10	0.01
Black	ON_PB, OL40	ONX99	1SCA022553R7710	10	0.01

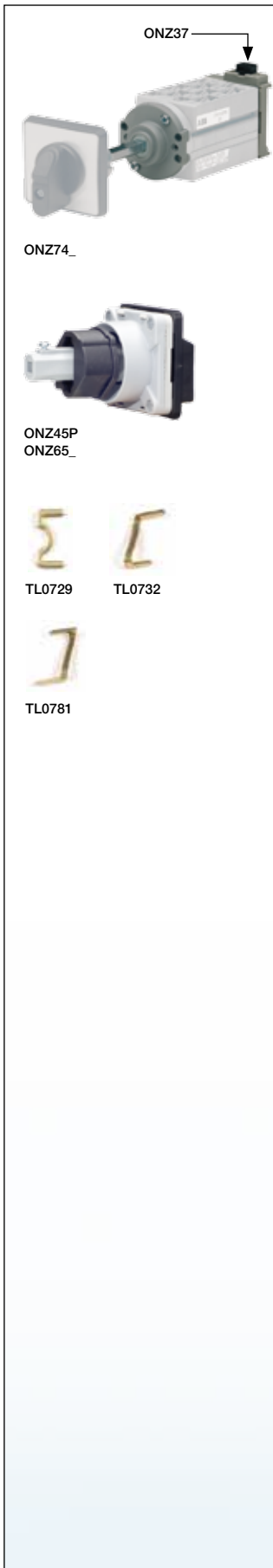
Shaft sealing

To prevent dust and moisture penetrating along the switch shaft when no handle is installed.

Protection to IP65 from the front. Door drilling 16...17 mm.

ON, OL40...80N	ONZ11	1SCA022807R0300	10	0.01
OL 125...160	OLZ12	1SCA022807R0560	10	0.01

¹⁾ The type generated by Camweb configuration tool for the cam switch with large front plate, for example the cam switch type ON5PB is wanted with special size handle 64x64, the Camweb will generate the new cam switch type ON5PLB.



Other accessories

The type and the ordering number are for one piece.

Base mounting kit

Includes base for DIN-rail mounting, shaft adaptor and 200 mm shaft for cutting up to 250 mm panel depth.

Depth [mm]	For cam switches	Type	Order number	Delivery batch [pcs]	Weight/unit [kg]
250	ON	ONZ74	1SCA022757R3510	1	0.05

DIN-rail mounting plate

Includes base for DIN-rail mounting.

ON, OL40	ONZ37	1SCA022789R8810	1	0.02
----------	-------	-----------------	---	------

Door coupling kits for base mounting switches

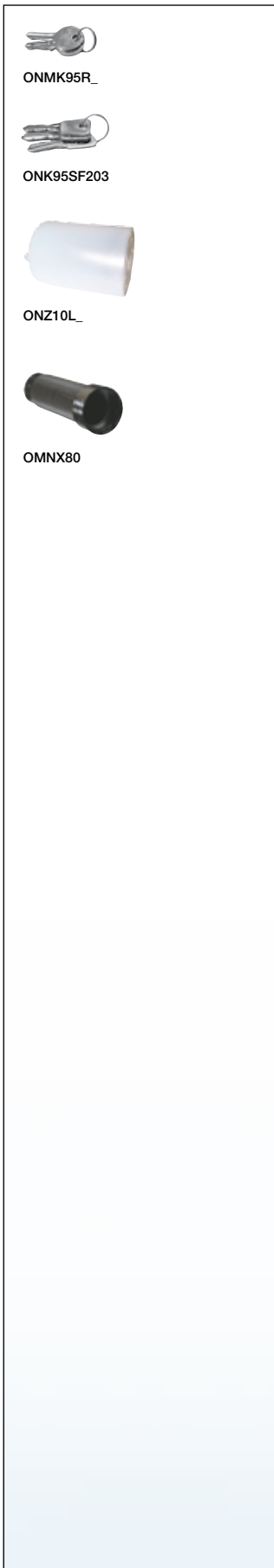
REMARK: Round padlockable handle with door coupling (the complete package), see page 35.

ON, OL40...80N	ONZ45P	1SCA022819R5850	1	0.01
OL125...160	OLZ652	1SCA022819R5930	1	0.02
OL200	OLZ653	1SCA022819R6070	1	0.02

Chamber to chamber connection jumpers

Provide IP20 protection with ON_.

Jumper shape	For cam switches	Type	Order number	Delivery batch [pcs]	Weight/unit [kg]
M -shape, axial interchamber	ON_	TL.0729	1SCA022704R2310	50	0.01
Z -shape, cross-axial interchamber	ON_	TL.0732	1SCA022704R2220	50	0.01
S -shape, cross-axial interchamber	ON_	TL.0781	1SCA022704R2140	50	0.01



Other accessories

The type and the ordering number are for one piece.

Spare key

The key number has to be mentioned when ordering. For key-operated cam switches.

Number of keys included	For cam switches/ standard key number ¹⁾	Type	Order number	Delivery batch [pcs]	Weight/ unit [kg]
2 pcs	ON, OL/SF203	ONK95SF203	1SCA116867R1001	2	0.01
2 pcs	OM, ON, OL/R405	ONMK95R405	1SCA116868R1001	2	0.01
2 pcs	OM, ON, OL/R455	ONMK95R455	1SCA116869R1001	2	0.01

Protective rear cover

Transparent, IP 42 protection

Number of chambers	Number of contacts	For cam switches	Type	Order number	Delivery batch [pcs]	Weight/ unit [kg]
1-2	2-4	ON	ONZ10L2	1SCA022621R1570	1	0.02
3-4	6-8	ON	ONZ10L4	1SCA022621R1650	1	0.04
5-6	10-12	ON	ONZ10L6	1SCA022621R1730	1	0.06
2		OL40	OLZ401L2	1SCA022805R9910	1	0.05
4		OL40	OLZ401L4	1SCA022806R0090	1	0.07
6		OL40	OLZ401L6	1SCA022806R0170	1	0.10
2		OL63...160	OLZ1601L2	1SCA022806R0250	1	0.10
4		OL63...160	OLZ1601L4	1SCA022806R0330	1	0.15
6		OL63...160	OLZ1601L6	1SCA022806R0410	1	0.20
2		OL200	OLZ63D34	1SCA022785R6720	1	0.15
4		OL200	OLZ63D36	1SCA022785R6810	1	0.20
6		OL200	OLZ63D38	1SCA022785R6990	1	0.25

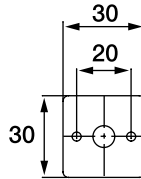
Nut spanner tool

For proper tightening the nut of snap-on mounted handle

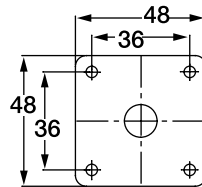
Colour	For cam switches	Type	Order number	Delivery batch [pcs]	Weight/ unit [kg]
Black	OM, ON, OL40_P	OMNX80	1SCA022553R8440	1	0.02

¹⁾ Other available key numbers, see Camweb

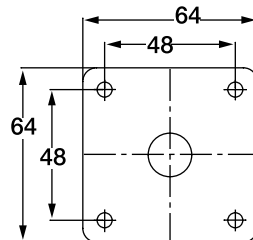
Front plates, sizes and door drillings



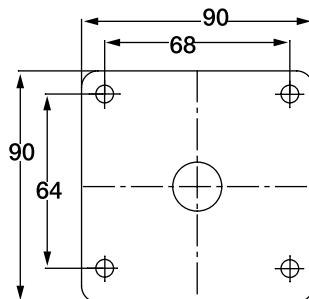
Size 30x30
OM
Shaft 6 mm



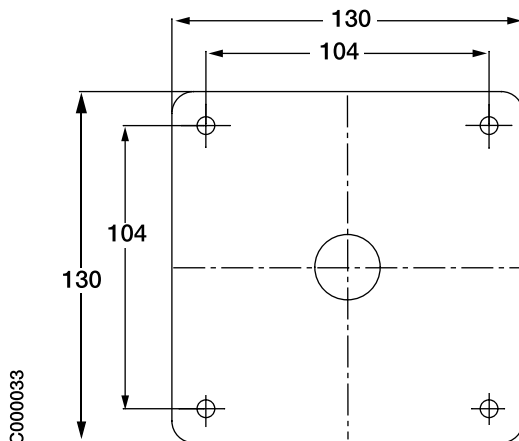
Size 0
Size 48x48
ON
OL 40
Shaft 6 mm



Size 1
Size 64x64
ON
OL 40
OL 63
OL 80N
Shaft 6 mm



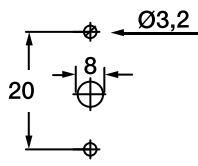
Size 2
Size 90x90
OL 125...160
Shaft 8 mm, 10 mm



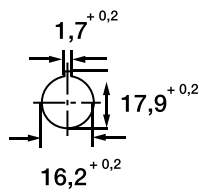
Size 3
Size 130x130
OL 200
Shaft 10 mm

C000033

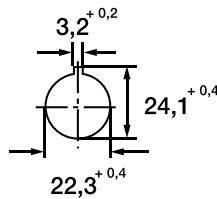
OM



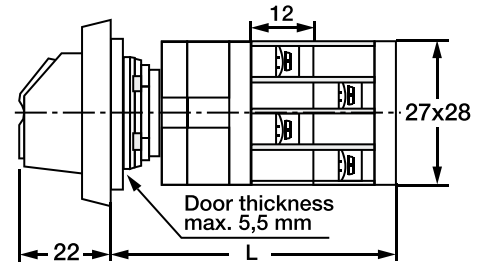
R-type



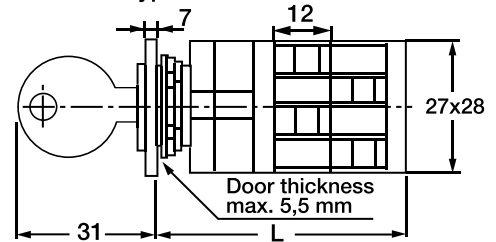
P, K and X-type



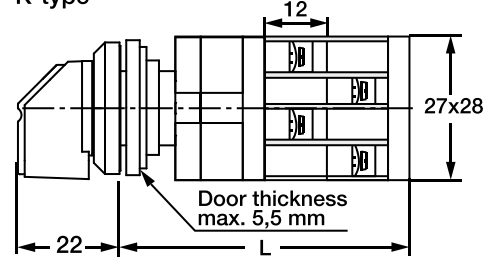
P, K and X-type



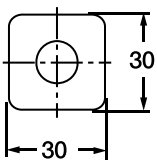
P and R-type



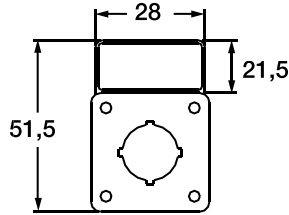
K-type



X-type



P, R and K-type

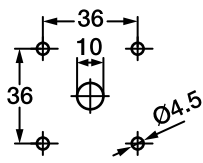


P, R and K-type

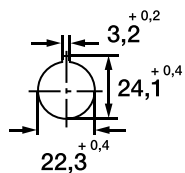
KE00033

		Number of contact chambers							
		1	2	3	4	5	6	7	8
Snap-on mounting (P type)	L	45	57	69	81	93	105	117	129
Screw mounting (R type)	L	33	45	57	69	81	93	105	117
Key operated (K-type)	L	45	57	69	81	93	105	117	129
Round front ring (X-type)	L	45	57	69	81	93	105	117	129

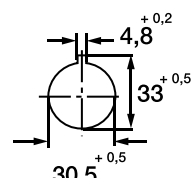
ON



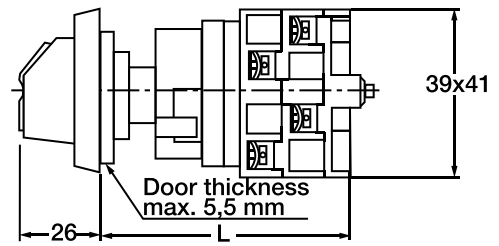
R-type



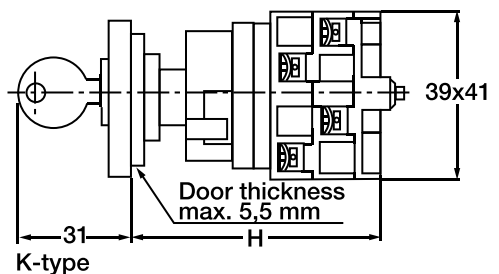
P, K and X-type



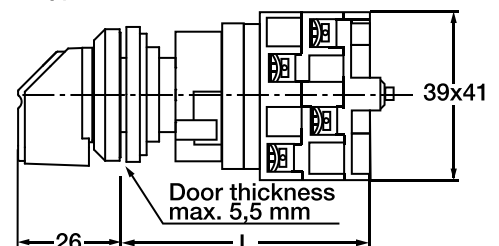
P, K and X-type



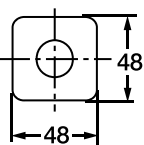
P and R-type



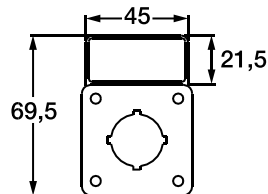
K-type



X-type



P, R and K-type



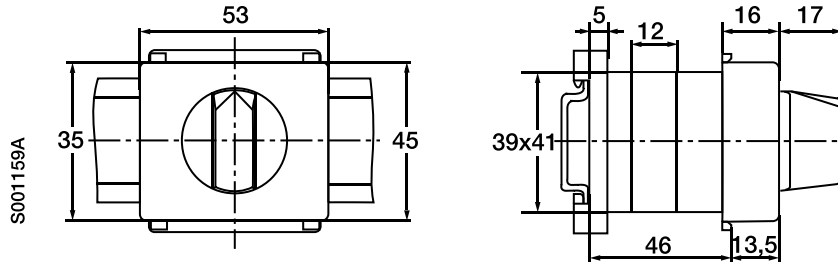
P, R and K-type

KE00034

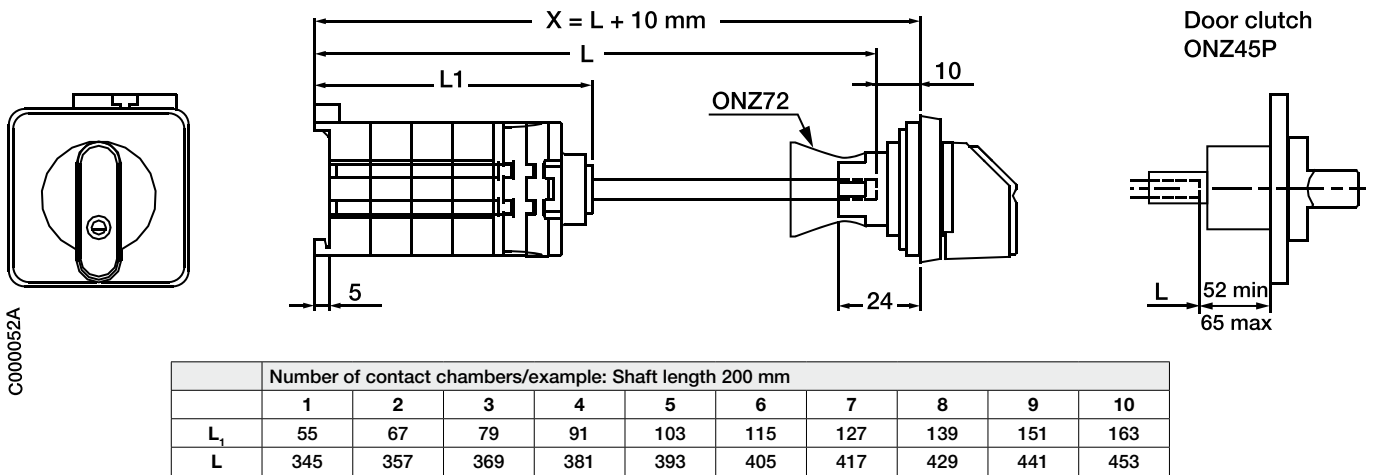
		Number of contact chambers ¹⁾									
		1	2	3	4	5	6	7	8	9	10
Snap-on mounting (P-type)	L	54	66	78	90	102	114	126	138	150	162
Screw mounting (R-type)	L	34	46	58	70	82	94	106	118	130	142
Key operated (K-type)	H	62	74	86	98	110	122	134	146	159	171
Round front ring (X-type)	L	54	66	78	90	102	114	126	138	150	162

¹⁾ Further chambers add 12 mm per chamber

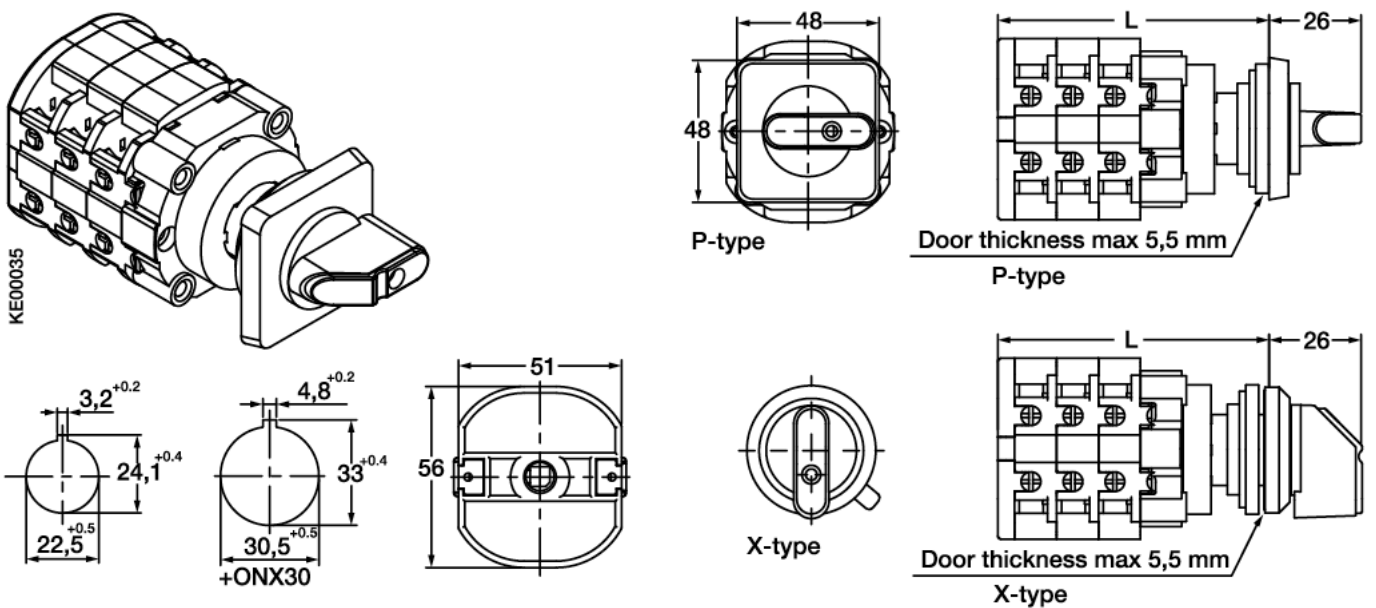
ON_M



ON with base mounting, type B - to be specified by Camweb configurator



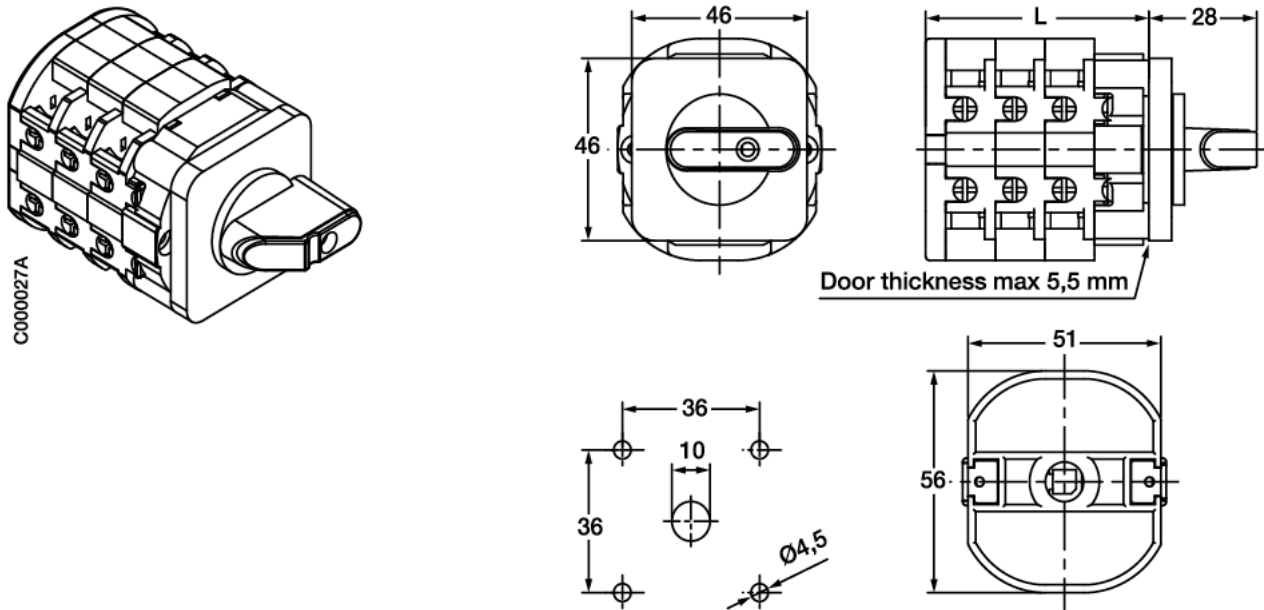
OL40, door mounted with snap-on mounting handle, type P , PL and round front ring, type X



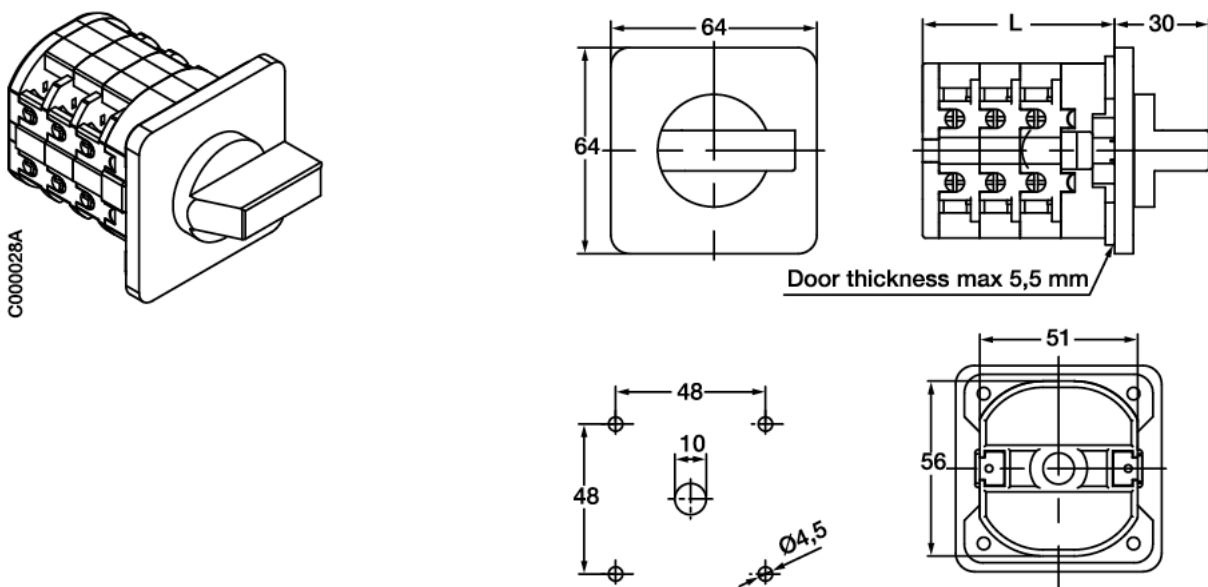
	Number of contact chambers ¹⁾									
L	59	72	85	98	111	124	137	150	163	176

¹⁾ Further chambers add 13 mm per chamber

OL40, door mounted with screw mounting handle, type **_R_**, front plate size 48x48



OL40, door mounted with screw mounting handle, type **_RL_**, front plate size 64x64
 - to be specified by Camweb configurator

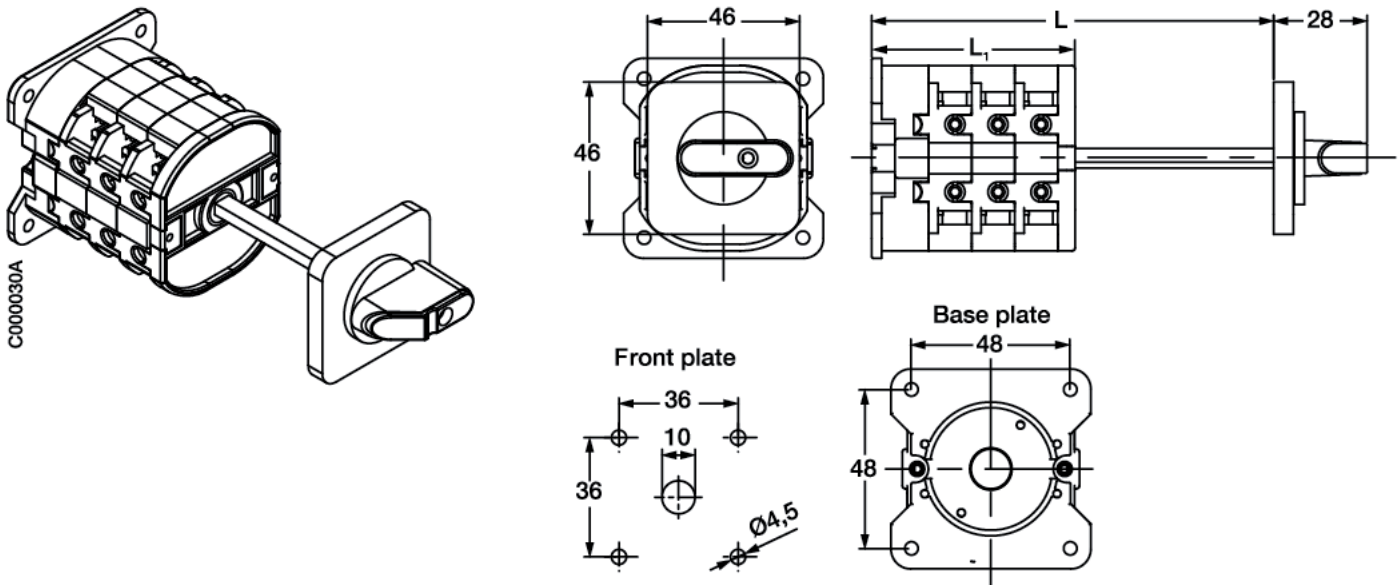


	Number of contact chambers									
	1	2	3	4	5	6	7	8	9	10
L	39	52	65	78	91	104	117	130	143	156



Rotary cam switches Dimension drawings, OL40

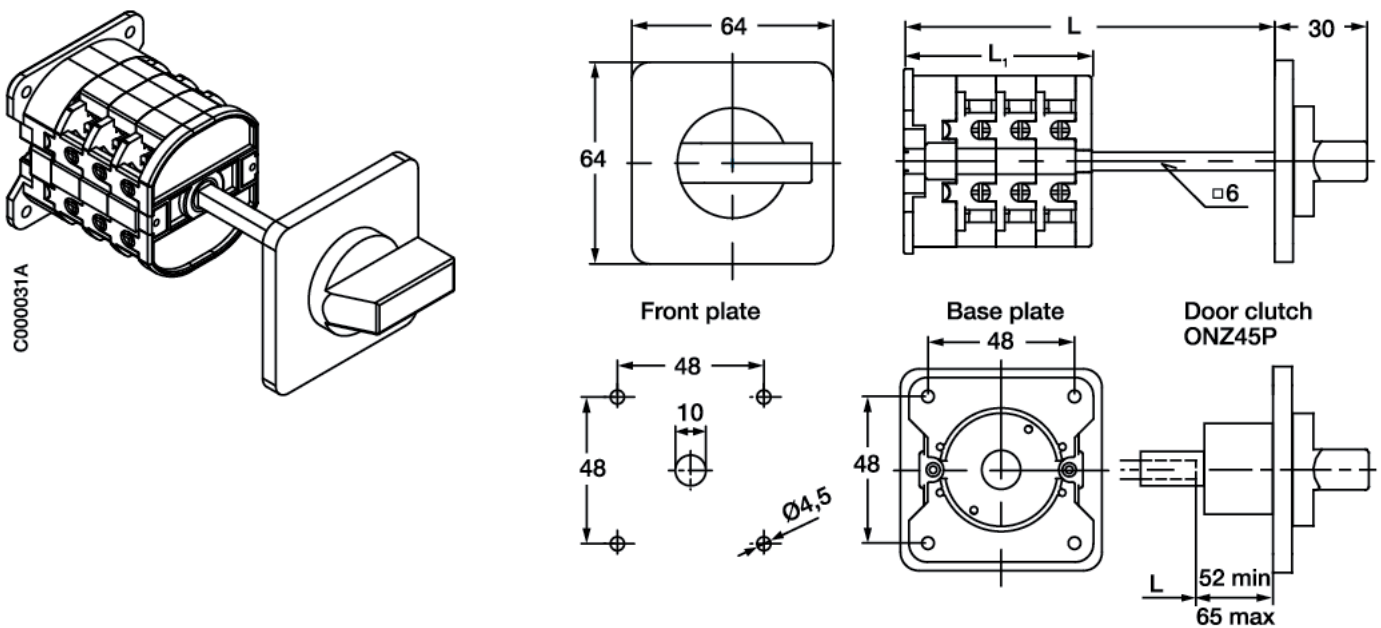
OL40, base mounted, front plate size 48x48 - to be specified by Camweb configurator



C000030A

Number of contact chambers/example: shaft length 200 mm										
	1	2	3	4	5	6	7	8	9	10
L_1	36	49	62	75	88	101	114	127	140	153
L	237	249	262	275	288	301	314	327	340	353

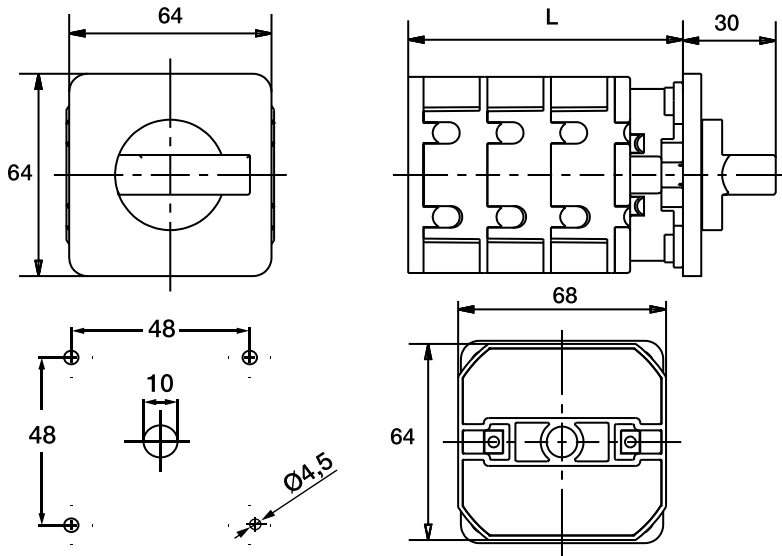
OL40, base mounted, front plate size 64x64 - to be specified by Camweb configurator



C000031A

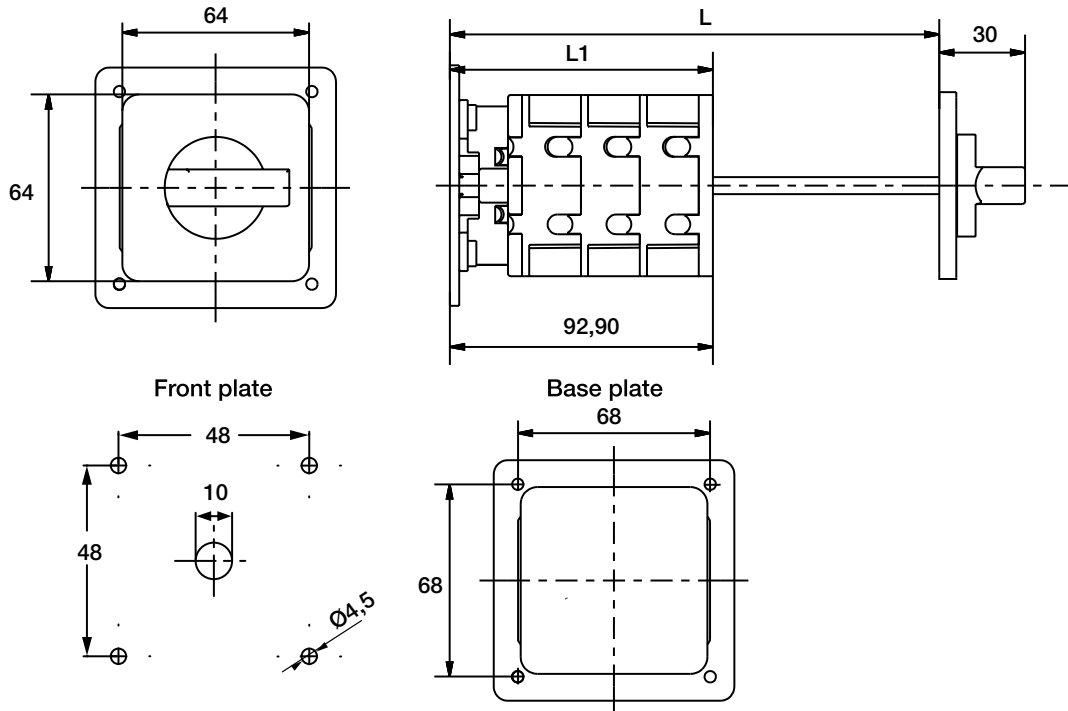
Number of contact chambers/example: shaft length 200 mm										
	1	2	3	4	5	6	7	8	9	10
L_1	37	49	62	75	88	101	114	127	140	153
L	237	249	262	275	288	301	314	327	340	353

OL63, OL80N door mounted



		Number of contact chambers									
		1	2	3	4	5	6	7	8	9	10
M04000	L mm	49	69,5	90	110,5	131	151,5	172	192,5	213	233,5

OL63, OL80N base mounted



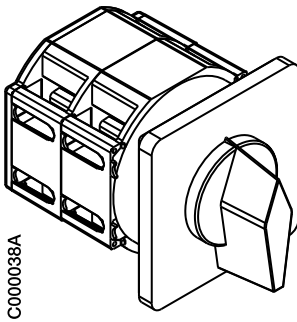
		Number of contact chambers									
		1	2	3	4	5	6	7	8	9	10
M04001	L1 mm	52	72,5	93	113,5	134	154,5	175	195,5	216	236,5
	L mm	252	272,5	293	313,5	334	354,5	375	395,5	416	436,5



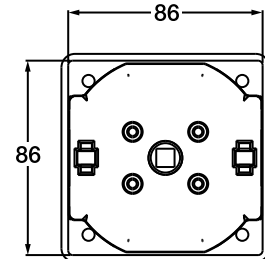
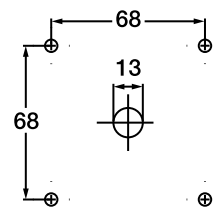
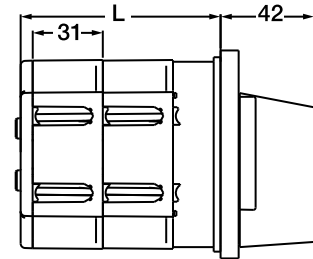
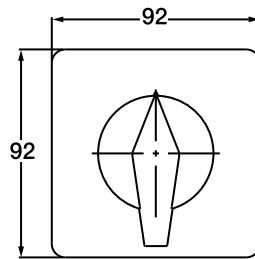
Rotary cam switches

Dimension drawings, OL125 and OL160

OL125, OL160 door mounted

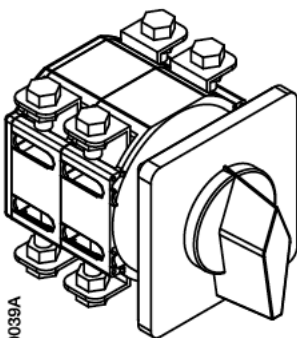


C000038A

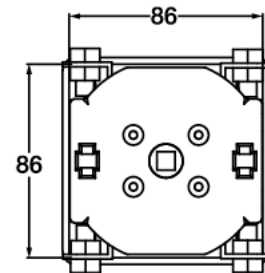
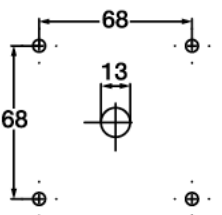
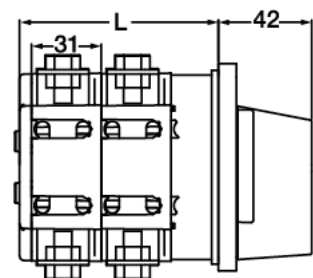
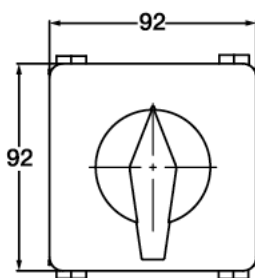


	Number of contact chambers									
	1	2	3	4	5	6	7	8	9	10
L	66	97	128	159	190	221	252	283	314	345

OL125, OL160 door mounted, lug terminals - to be specified by Camweb configurator



C000039A

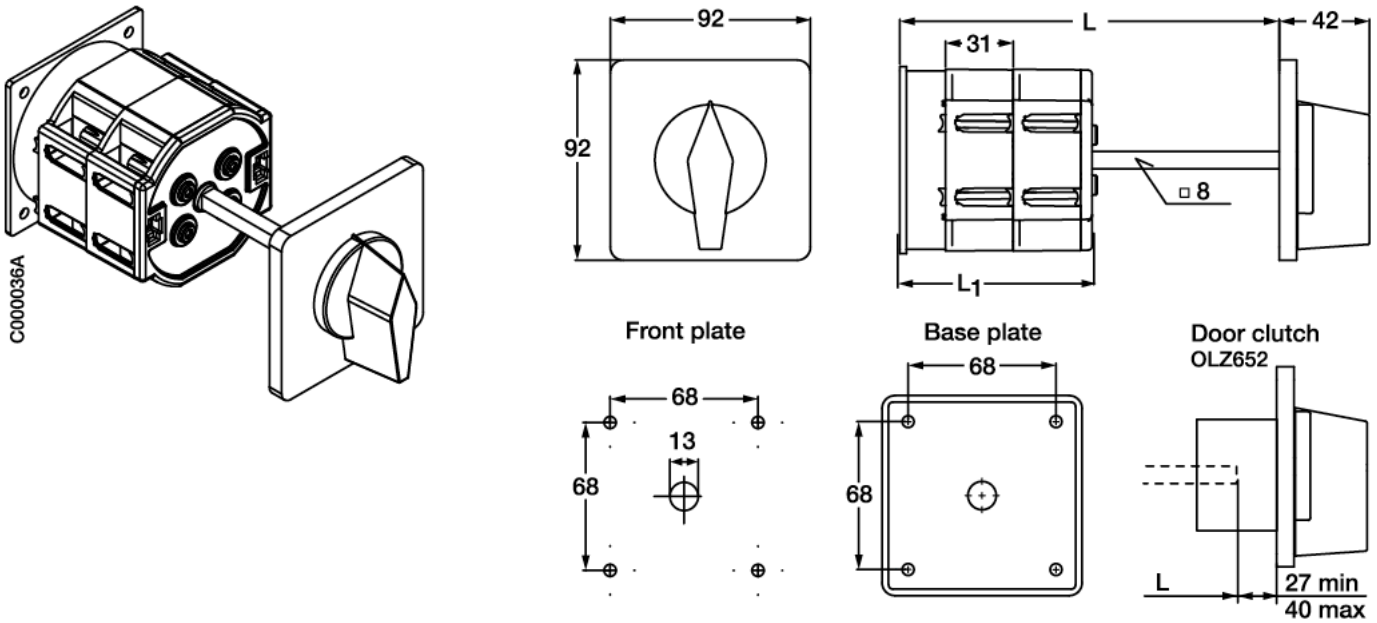


	Number of contact chambers									
	1	2	3	4	5	6	7	8	9	10
L	66	97	128	159	190	221	252	283	314	345

Rotary cam switches

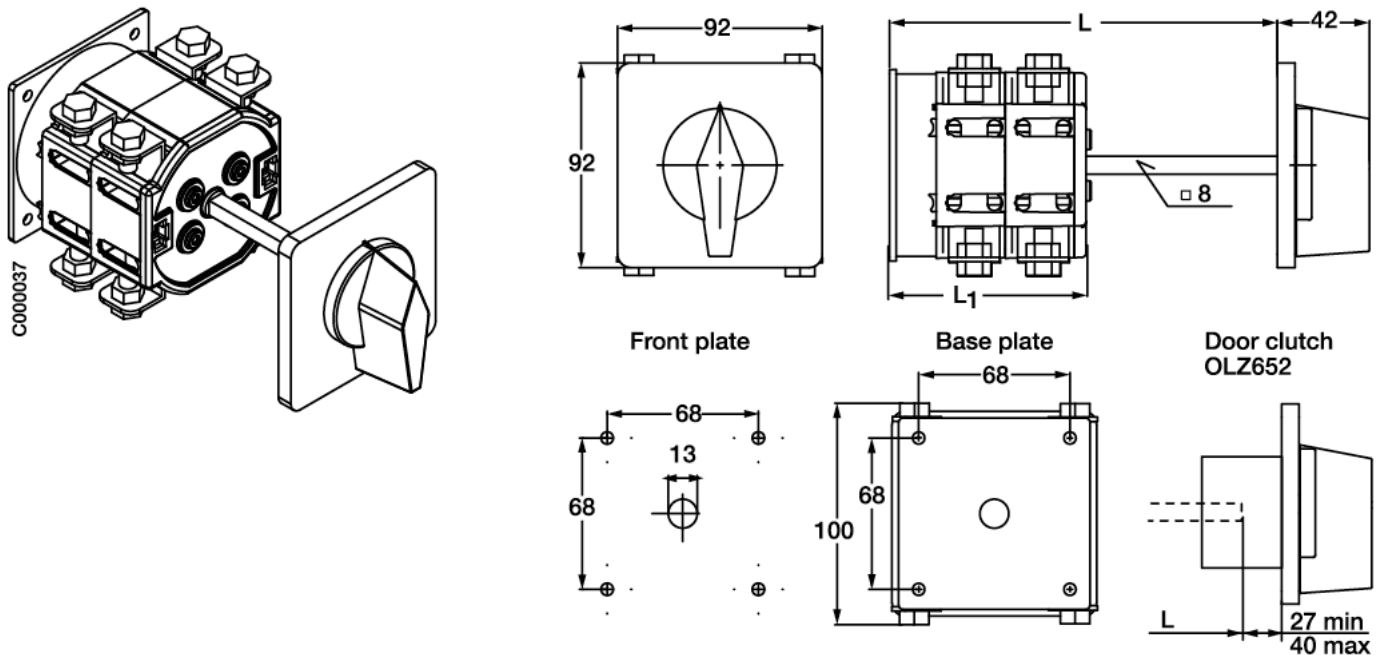
Dimension drawings, OL80, OL125 and OL160

OL125, OL160 base mounted - to be specified by Camweb configurator



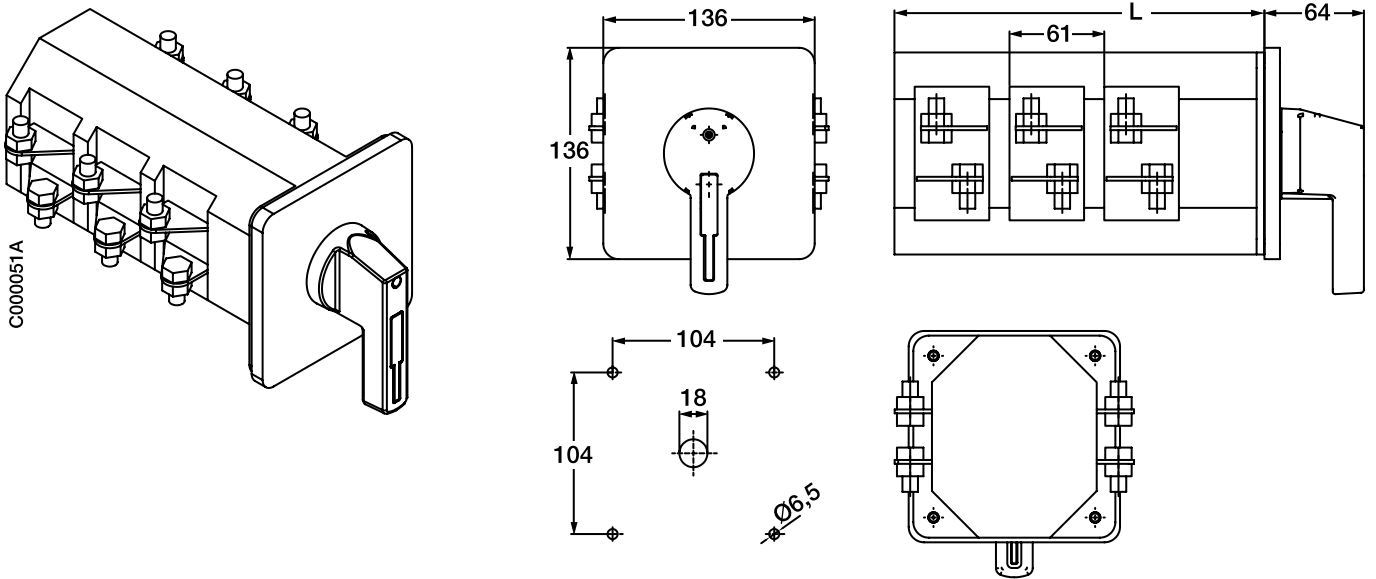
	Number of contact chambers/Shaft length 100 mm									
	1	2	3	4	5	6	7	8	9	10
L_1	65	96	127	158	189	220	251	282	313	344
L	165	196	227	258	289	320	351	382	413	444

OL125, OL160 base mounted, lug terminals - to be specified by Camweb configurator



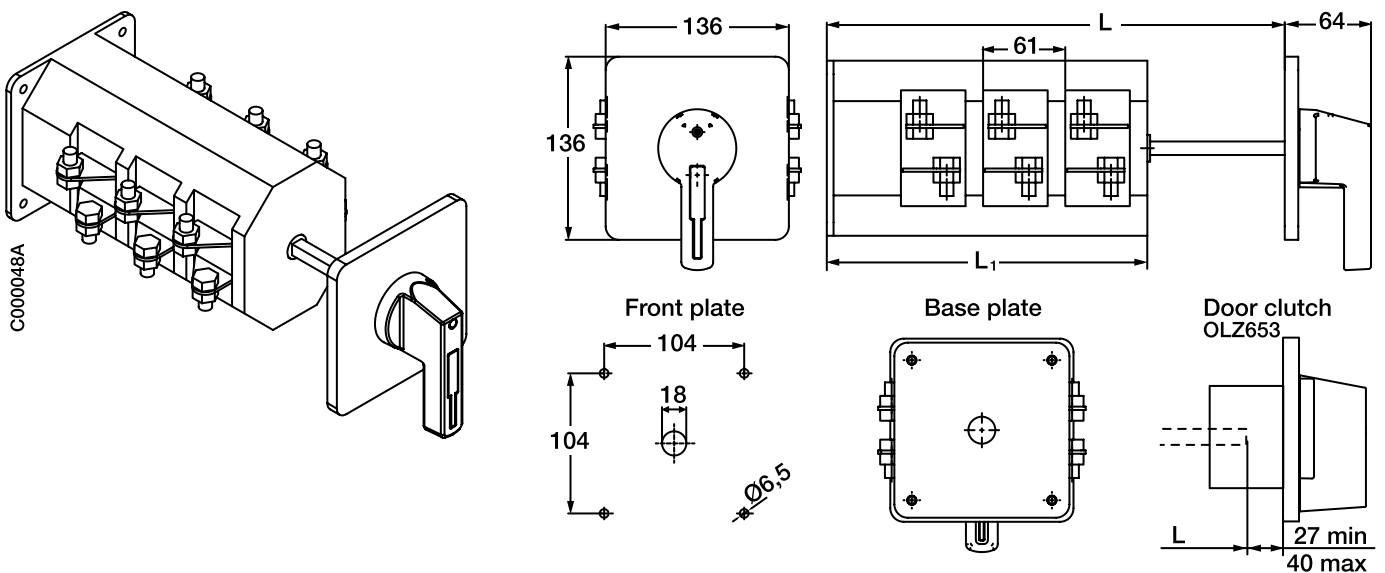
	Number of contact chambers/Shaft length 100 mm									
	1	2	3	4	5	6	7	8	9	10
L_1	65	96	127	158	189	220	251	282	313	344
L	165	196	227	258	289	320	351	382	413	444

OL200 door mounted



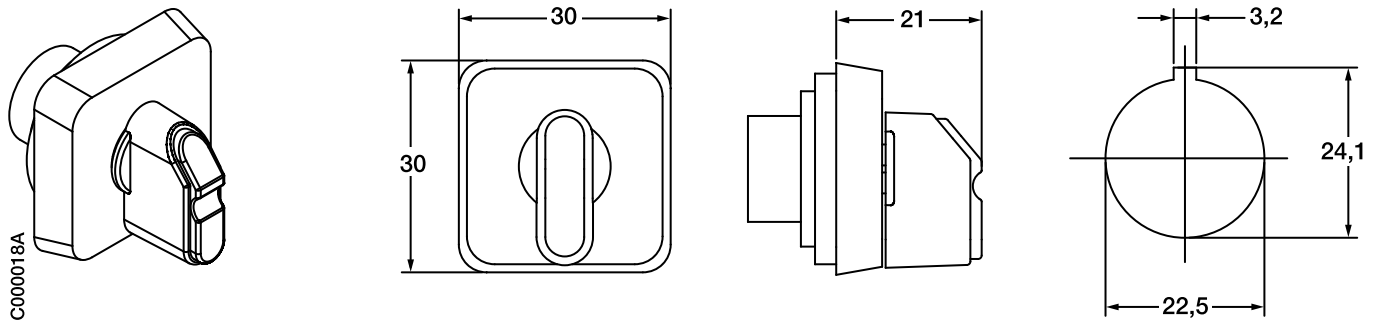
	Number of contact chambers									
	1	2	3	4	5	6	7	8	9	10
L	120	181	242	303	364	425	486	547	608	669

OL200 base mounted - to be specified by Camweb configurator

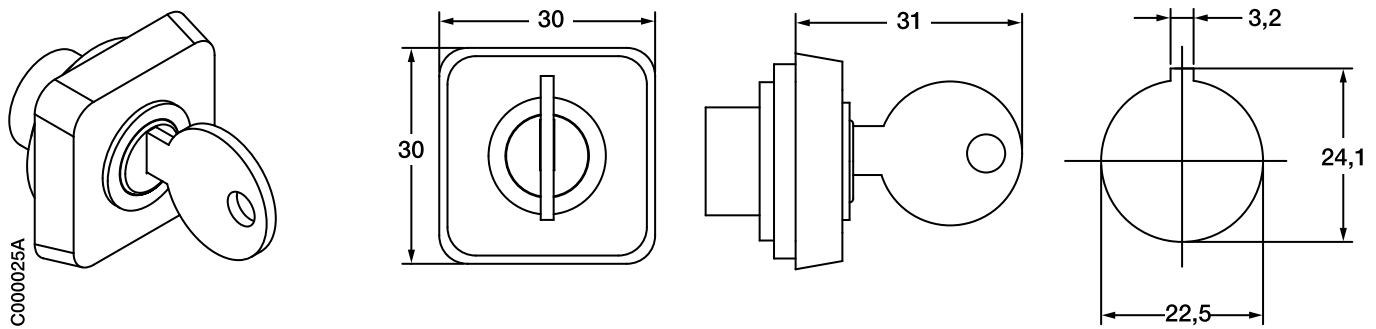


	Number of contact chambers/example: Shaft length 100 mm									
	1	2	3	4	5	6	7	8	9	10
L ₁	120	181	242	303	364	425	486	547	608	669
L	220	281	342	403	464	525	586	647	708	769

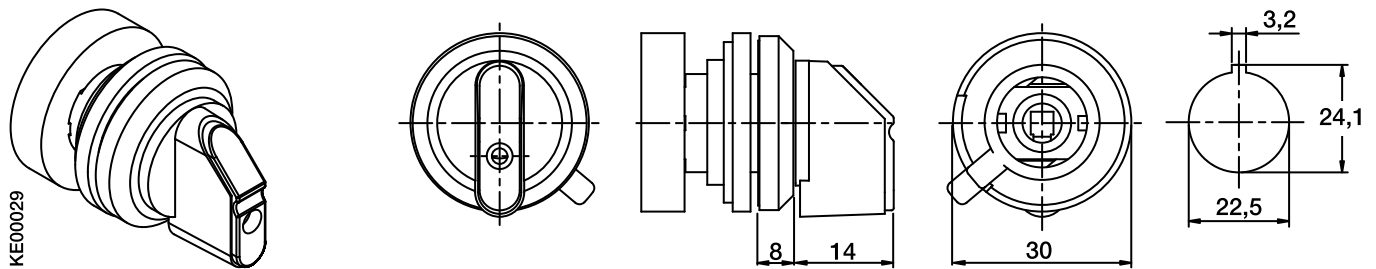
Snap-on handle for OM, type OMP_



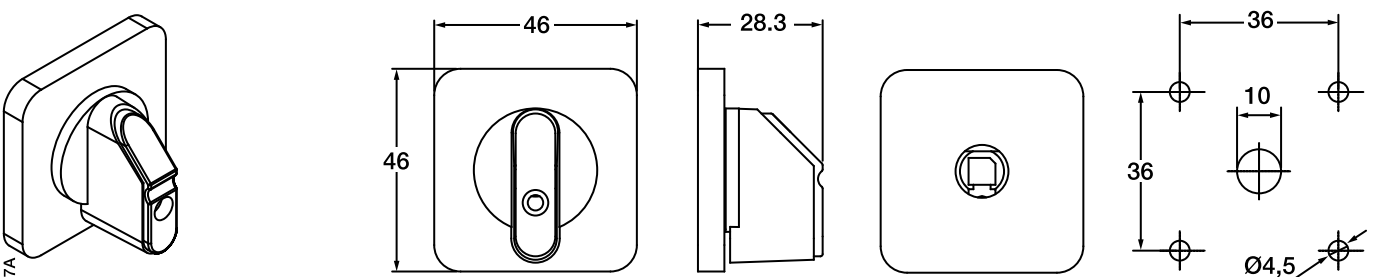
Snap-on key operated handle for OM - to be specified by Camweb configurator



Round front ring OMX_ for OM - to be specified by Camweb configurator



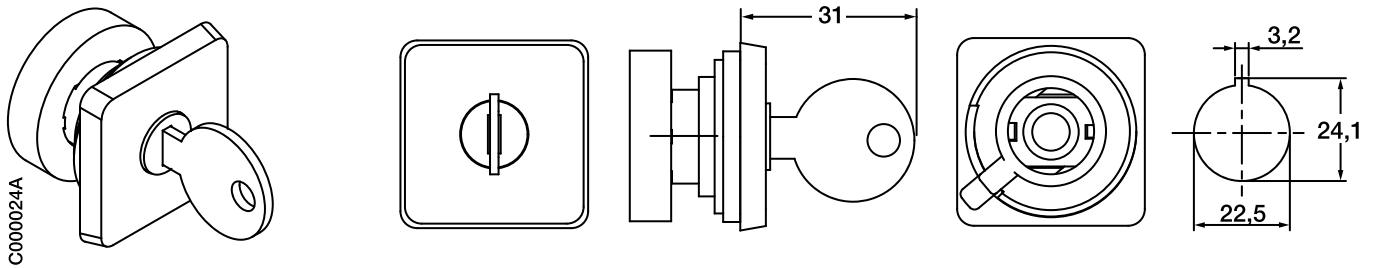
Screw mounted handle ON and OL40 - to be specified by Camweb configurator



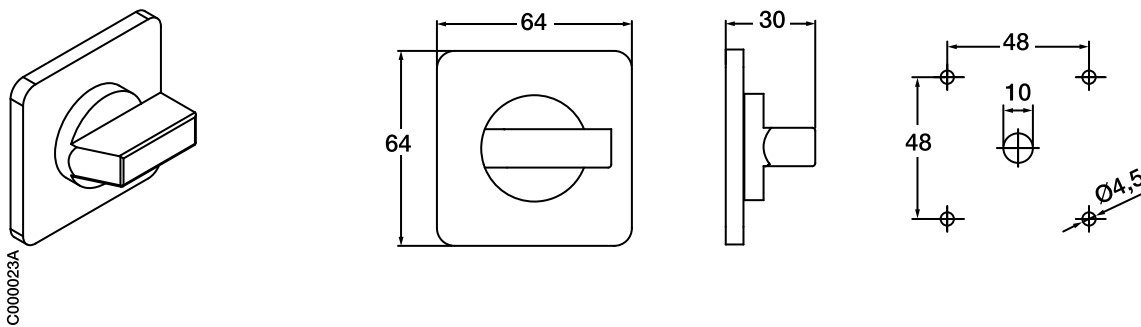


Rotary cam switches Dimension drawings, handles

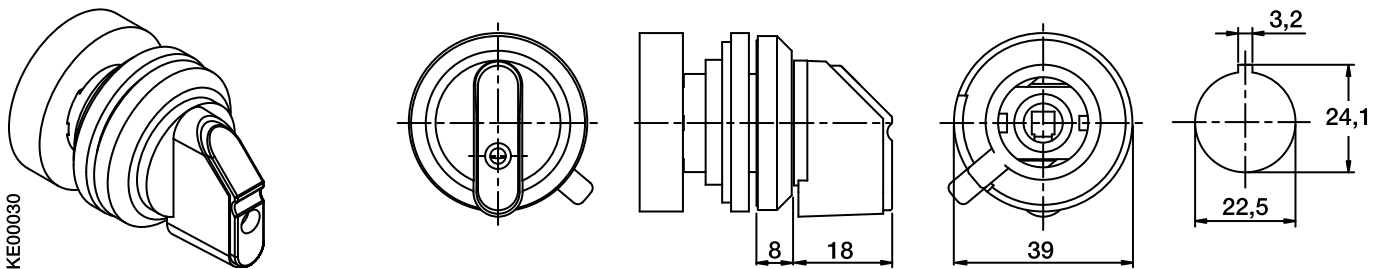
Snap-on key operated handle for ON - to be specified by Camweb configurator



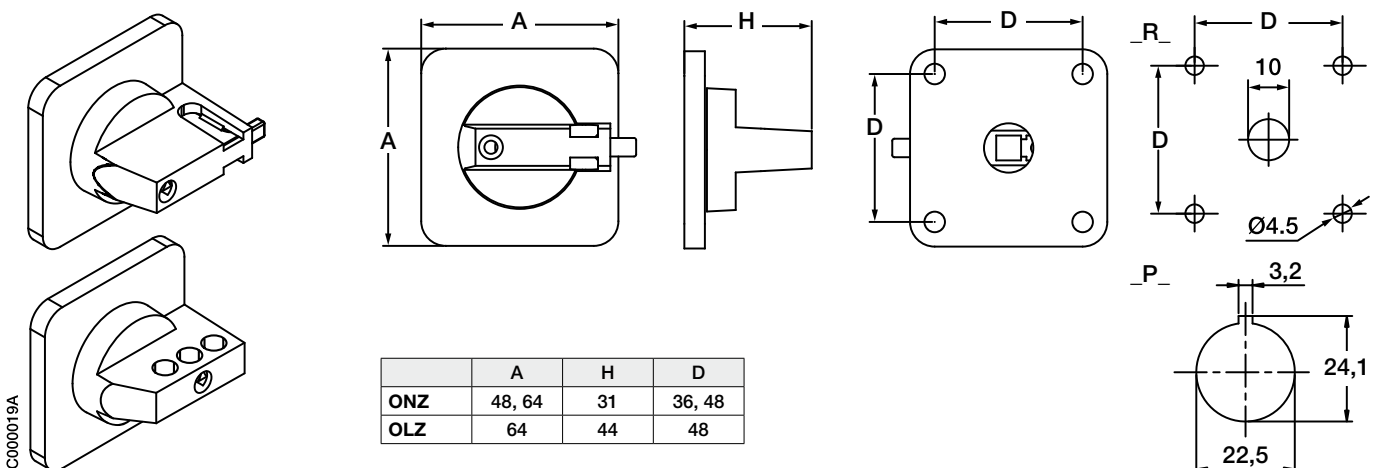
Screw mounted large handle option for ON, OL40, OL63 and OL 80N (type _ RL _)
- to be specified by Camweb configurator



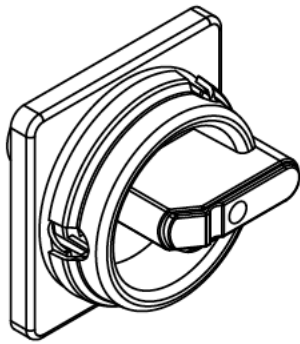
Round front ring ONX_ for ON, OL40, OL63 and OL80N (type_X_)



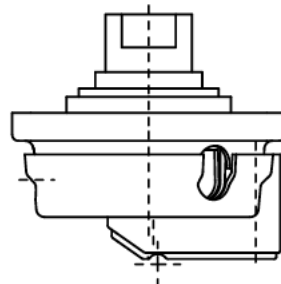
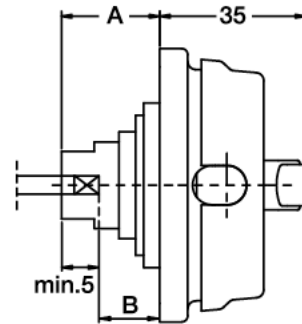
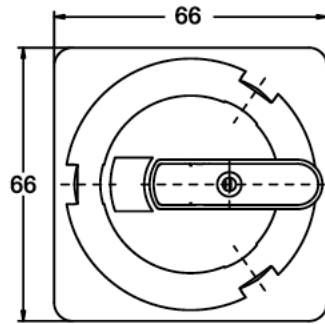
Padlockable handle knob for ON, OL40, OL63 and OL80N type ONZ20_
(also suitable for 64x64 handle)



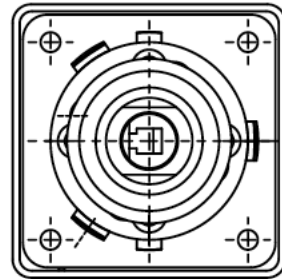
Round padlockable snap-on mounted handle for ON, OL40, OL63 and OL80N, type OZ331P_, OZ331SP_ and door coupling OZ371_ - to be specified by Camweb configurator (Type _P3_)



KE00031

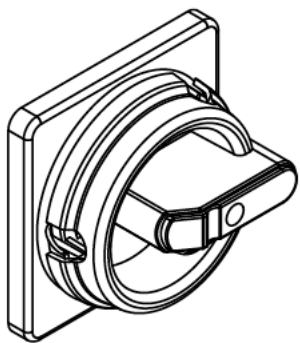


Shaft size 6 mm

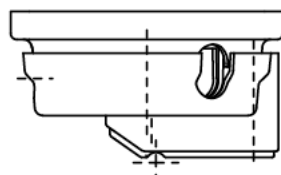
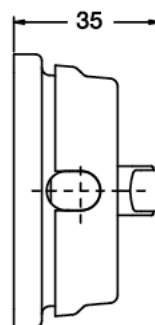
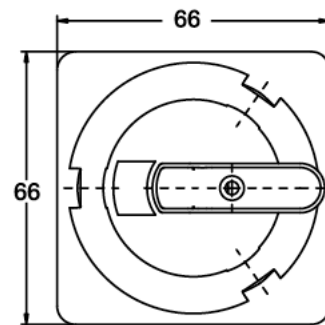


	OZ331P_	OZ331SP_	OZ371_
A	24	15	21
B	3...19	8...10	4...5

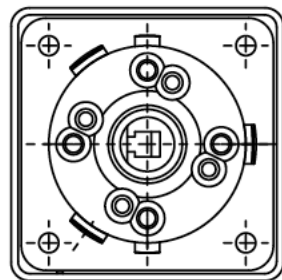
Round padlockable screw mounted handle for ON, OL40, OL63 and OL80N type OZ331R_ - to be specified by Camweb configurator (Type _R3_)



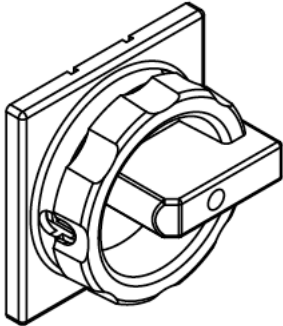
KE00032



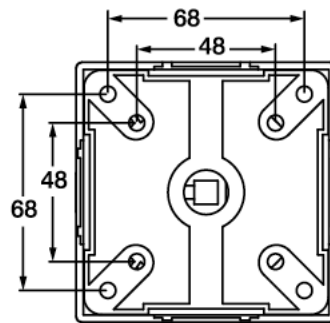
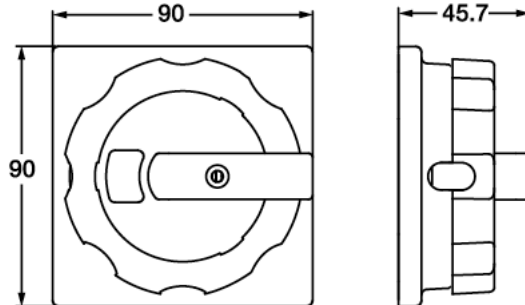
Shaft size 6 mm



Round padlockable screw mounted handle for OL125 and OL160, type OLZ332R_
- Type R3 to be specified by the Camweb configurator



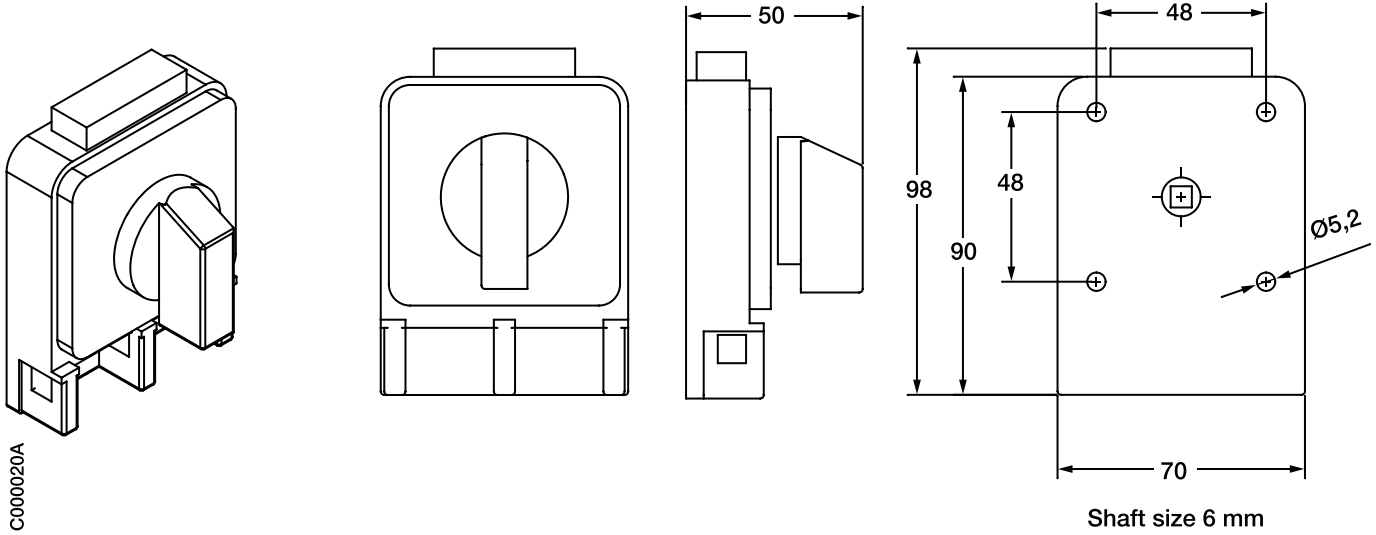
C000021A



Shaft size 8 mm

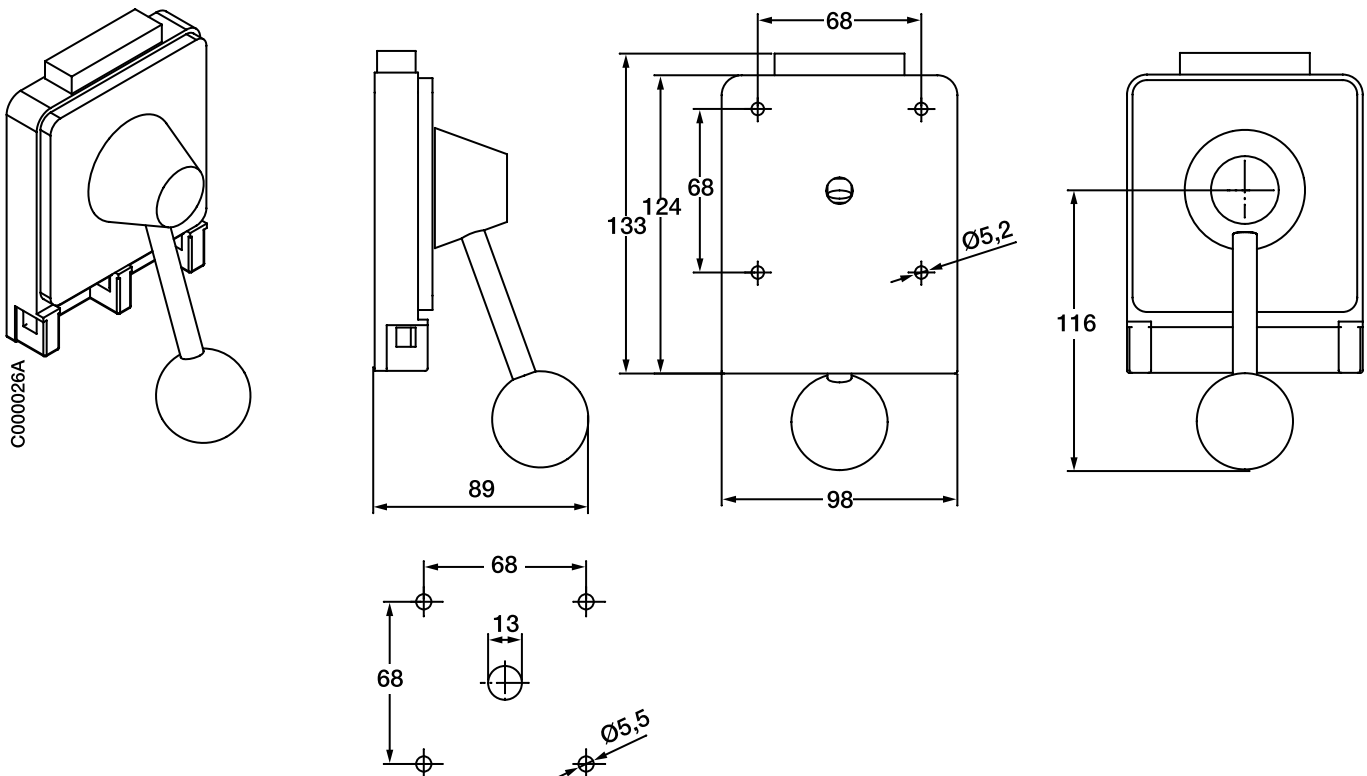
Square padlockable handle for ON, OL40, OL63 and OL80N

- to be specified by Camweb configurator (Type R5)

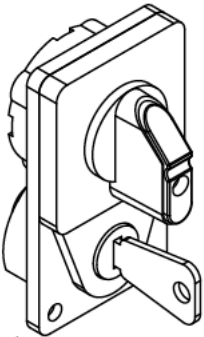


Square padlockable handle for OL125 and OL160

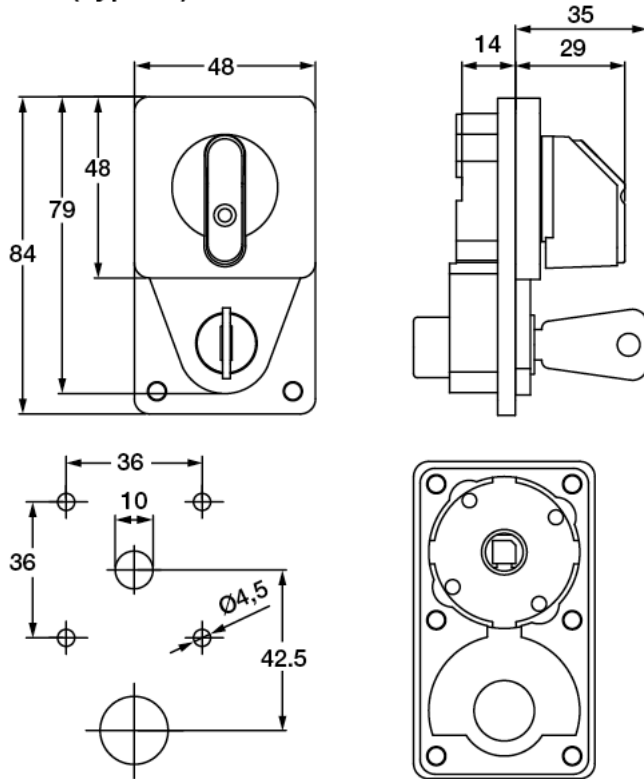
- to be specified by Camweb configurator (Type R5)



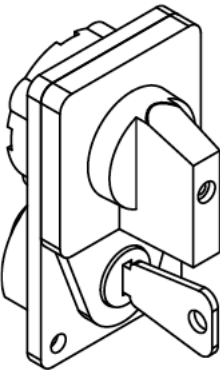
Key interlocked handle for ON front plate size 48x48, vertical
 - to be specified by Camweb configurator (Type Q)



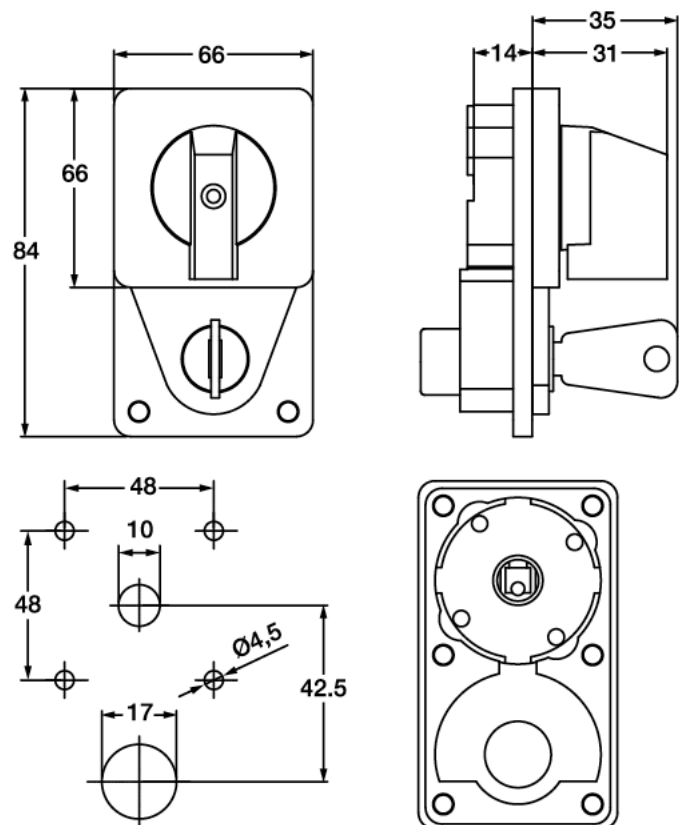
C000016A



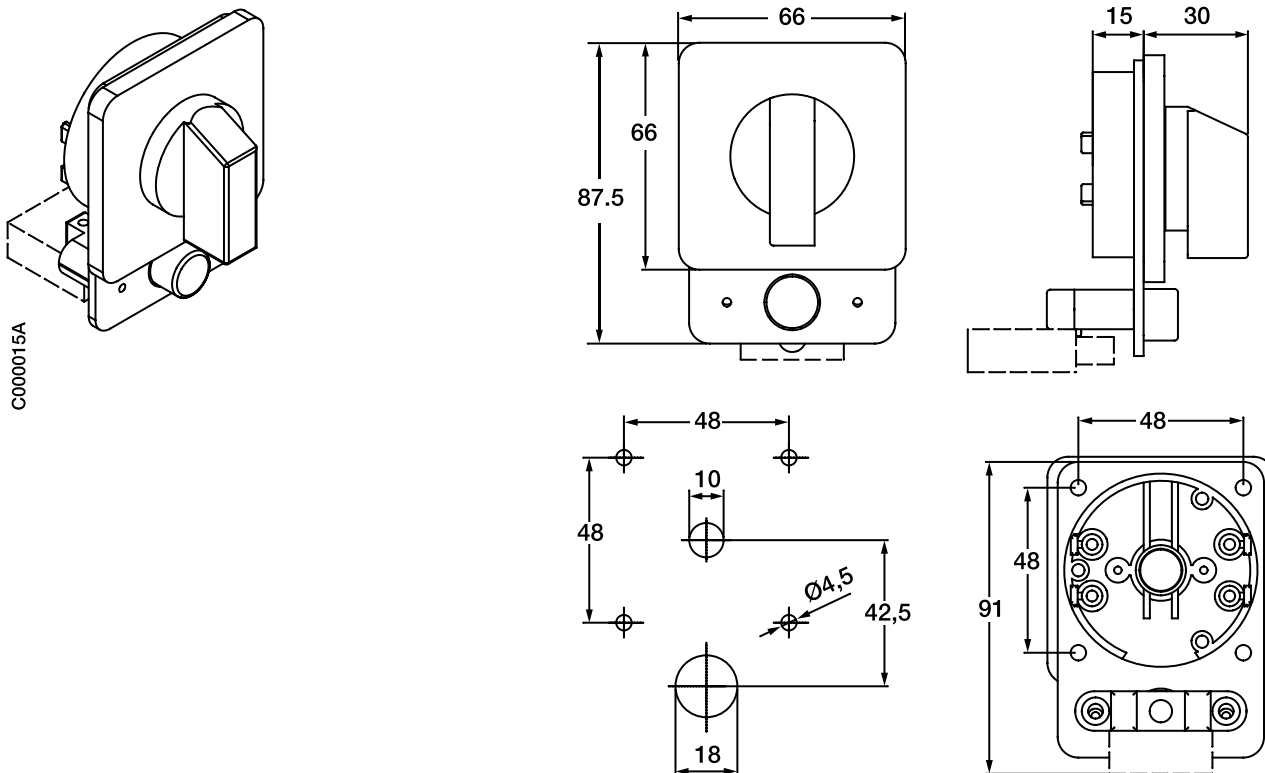
Key interlocked handle for ON, OL40, OL63 and OL80N, front plate size 64x64, vertical
 - to be specified by Camweb configurator (Type Q)



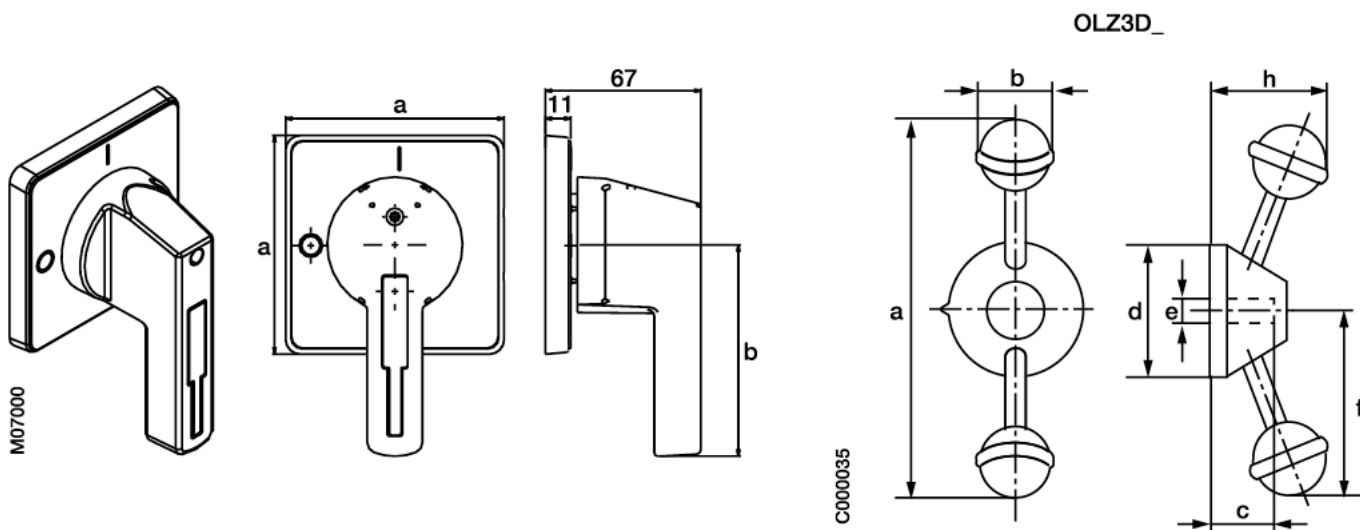
C000040A



Push button interlock handle for ON, OL40, OL63 and OL80N
 - to be specified by Camweb configurator (Type U)



Pistol and double lever handles



	a	b	c	d	e	f	g	h	y
OLZ208_	90	70	-	-	8 [□]	-	-	-	-
OLZ2010_	130	70	-	-	10 [□]	-	-	-	-
OLZ8_	-	70	-	-	8 [□]	-	-	-	-
OLZ810_	-	70	-	-	10 [□]	-	-	-	-
OLZ9_	-	130	-	-	10 [□]	-	-	-	-
OLZ3D_	252	40	28	77	10 [□]	126	-	56	10

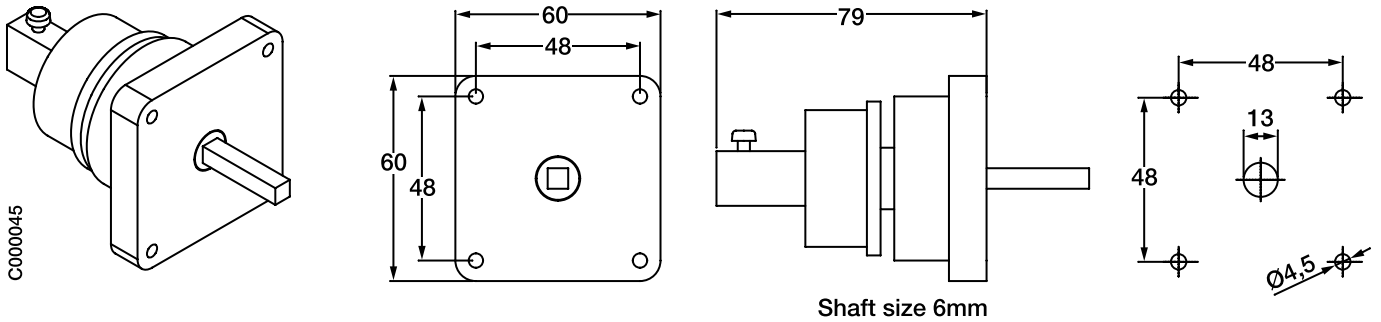


Rotary cam switches Dimension drawings, door clutch

Door clutch, interlock for hinged door, for ON, OL40, OL63 and OL80N, (ONZ45P)

- to be specified by Camweb configurator

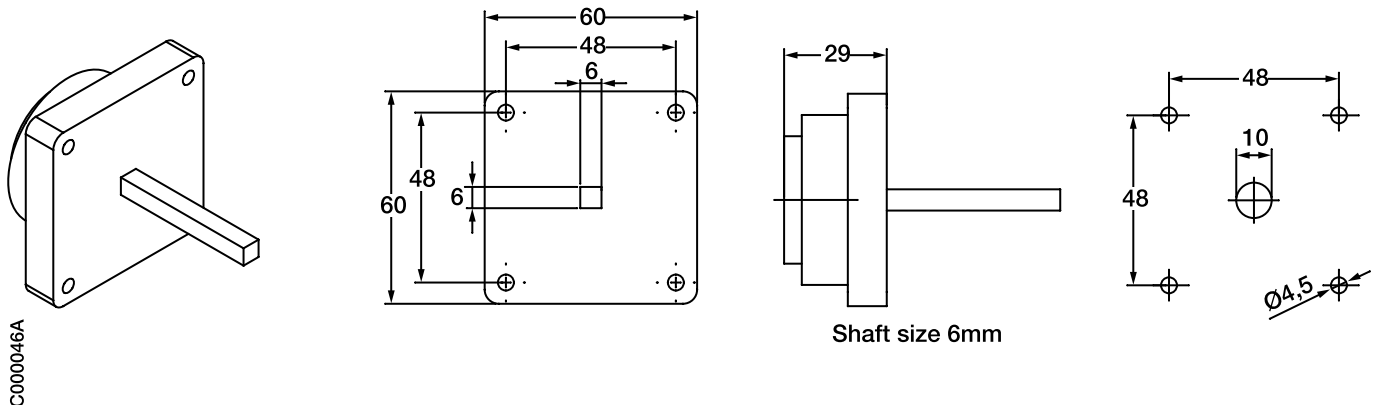
- to lock the panel when the switch is in on position



Door clutch, interlock for hinged door, for OL40, OL63 and OL80N, (ONZ45P)

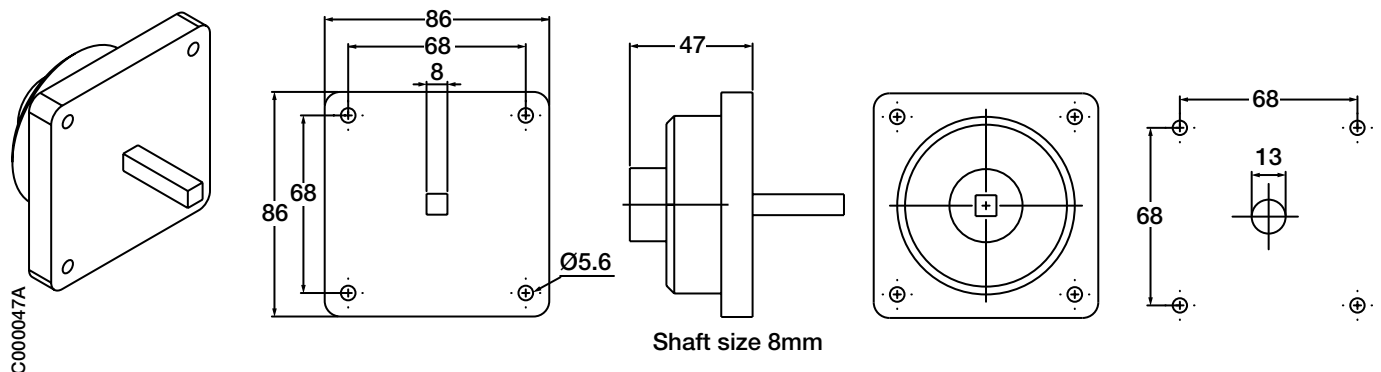
- to be specified by Camweb configurator

- to lock the panel when the switch is in on position



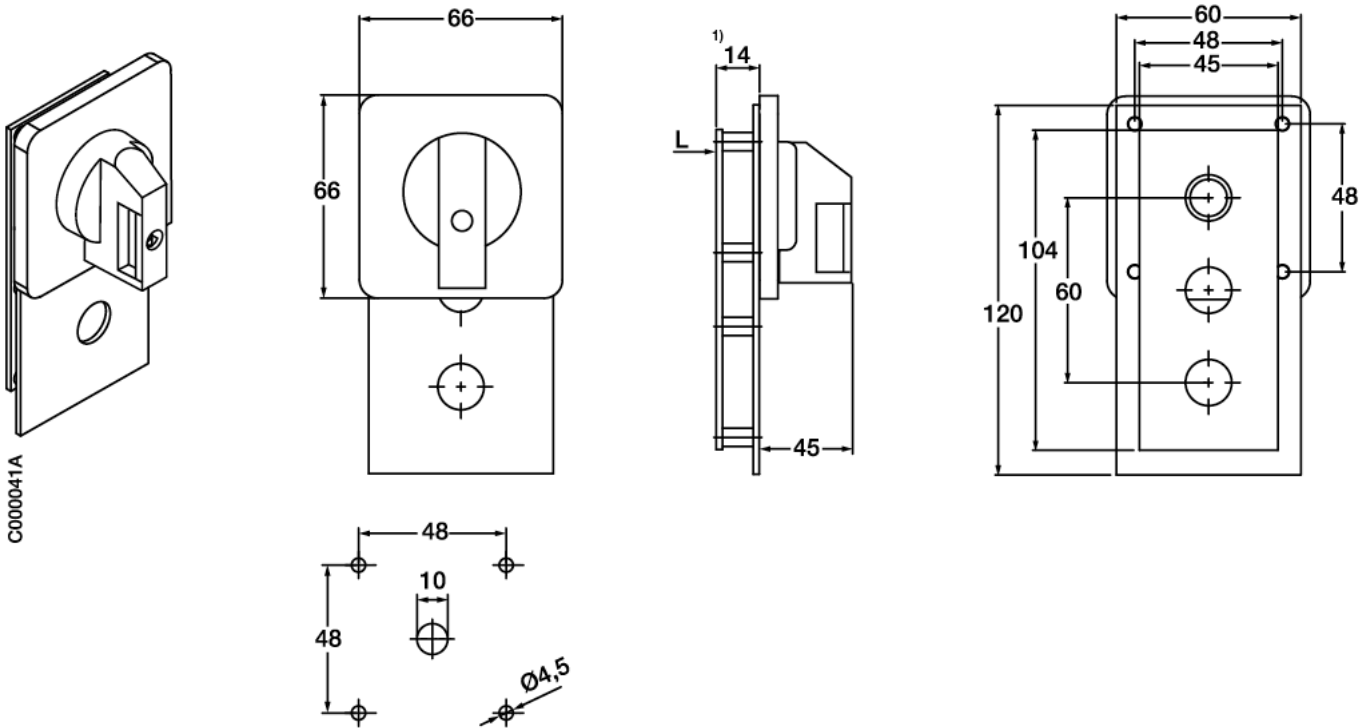
Door clutch, interlock for hinged door, for OL125, OL160 (OLZ652)
and for OL200 (OLZ653) - to be specified by Camweb configurator

- to lock the panel when the switch is in on position

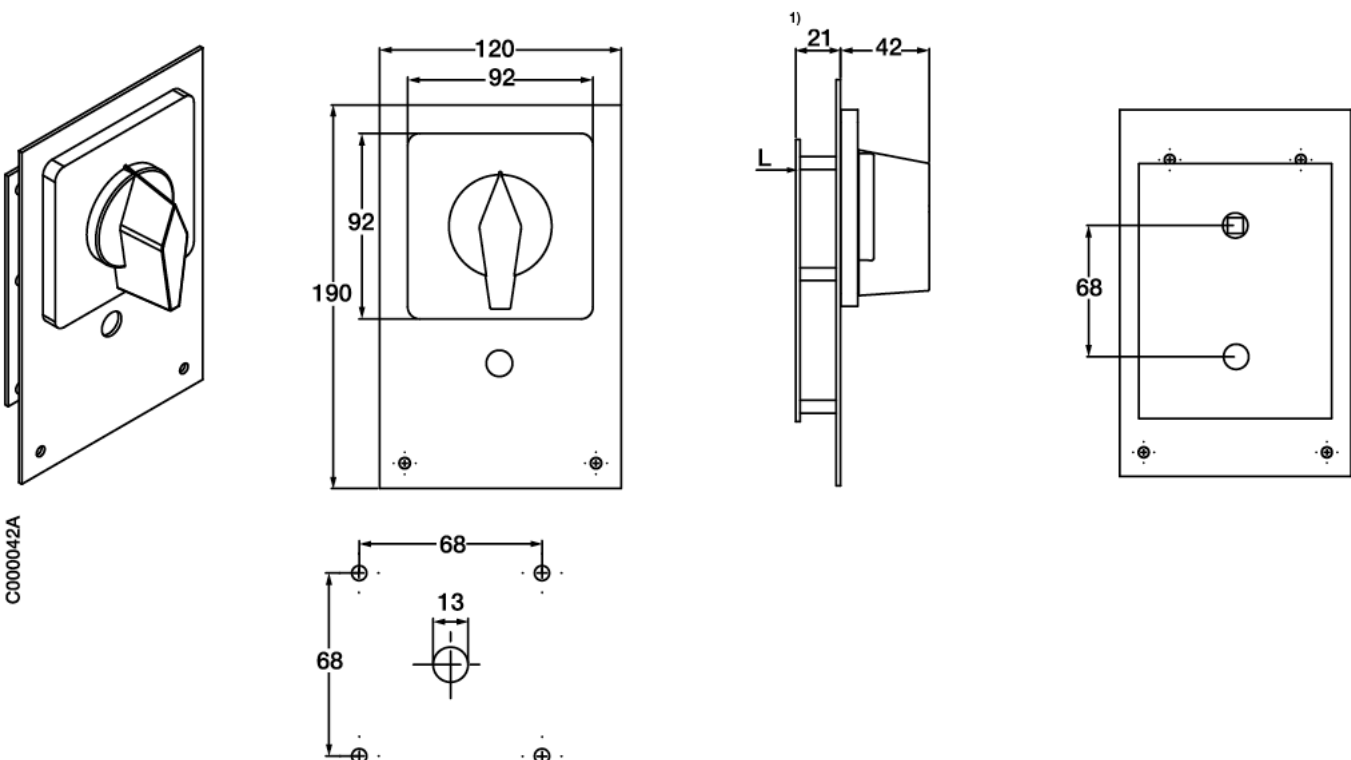


Rotary cam switches Dimension drawings, double gang

Double gang (Tandem) drive for ON, handle type H
- to be specified by Camweb configurator



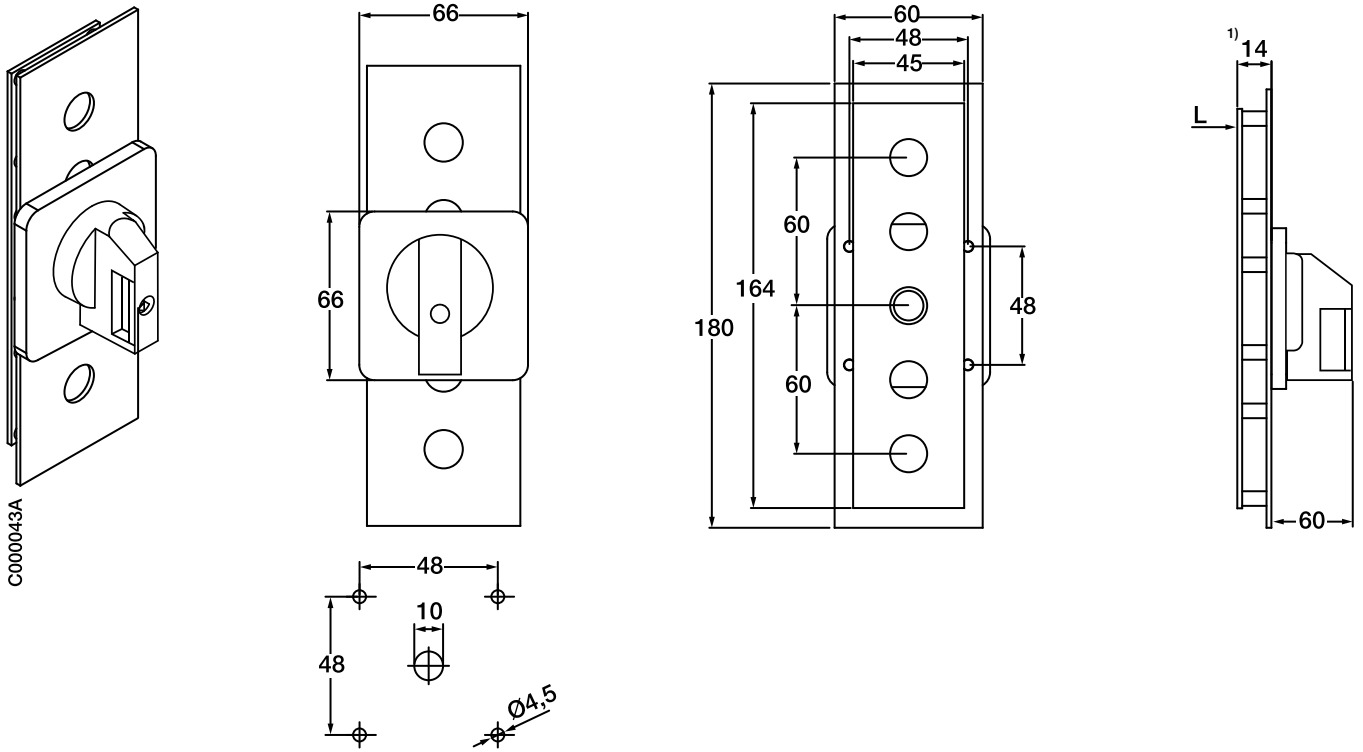
Double gang (Tandem) drive for OL40, OL63 and OL80 N, handle type H
- to be specified by Camweb configurator



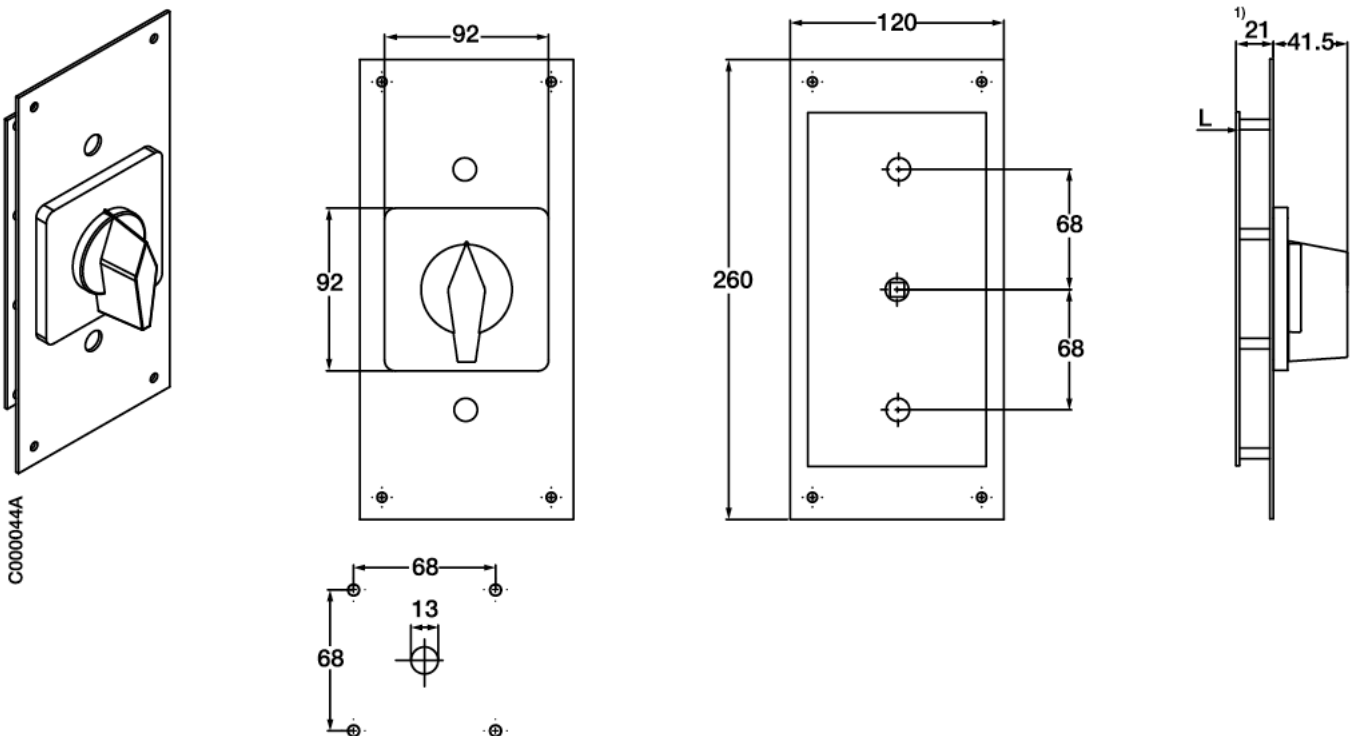
¹⁾ Add the dimension L of the screw mounted cam switch for the total depth. (page 40)

Rotary cam switches Dimension drawings, triple gang

Triple gang drive for ON, handle type H - to be specified by Camweb configurator



Triple gang drive for OL40, OL63 and OL80N, handle type H
- to be specified by cam web configurator



¹⁾ Add the dimension L of the screw mounted cam switch for the total depth. (page 40)

Enclosures

Square enclosures



- ▶ for door mounting and click on base mounting with circlip
- ▶ include earth and neutral terminals, 6 mm²
- ▶ one hole mounting handle
- ▶ grey enclosure
- ▶ M25 knock-outs

Rectangular enclosures



- ▶ for door and DIN-rail mounting
- ▶ include earth and neutral terminals, 6 mm²
- ▶ one hole mounting handle
- ▶ grey enclosure
- ▶ M25 knock-outs



- ▶ for door and DIN-rail mounting
- ▶ include earth and neutral terminals, 16 mm²
- ▶ one or four hole mounting handle
- ▶ grey enclosure
- ▶ M32/40 knock-outs

Cam switches OM_, ON_, OL_ / Switch-disconnectors OT_

Door mounted



- ▶ OM_/ON_, OL40, OL63, OL80

Base / DIN-rail mounted



- ▶ OM_/ON_, OL40, OL63



- ▶ OT16...80F_

Shafts



- ▶ OX6X_
- ▶ 6 mm

Handles



- ▶ Basic-type



- ▶ Key-type

Enclosed switches

- ▶ Control switches
- ▶ ON-OFF switches
- ▶ Change-over switches
- ▶ Motor control switches:
 - ▶ Reversing switches,
 - ▶ Star delta switches,
 - ▶ Pole change switches (Dahlander)
- ▶ Special switches
- ▶ Key switches





Enclosed rotary cam switches

Contents:

Enclosed rotary cam switches

Ordering information

Enclosed cam switches.....	60
Enclosures.....	61
Accessories.....	61
Dimension drawings.....	62 - 63



▶ Round padlockable -type



Enclosed cam switches

The type and the ordering number are for one piece. Neutral and earth terminals, 6mm², included.

ON-OFF switches

Number of poles	Function	Size of ¹⁾ enclosure	Type	Order number	Delivery batch [pcs]	Weight/unit [kg]
Basic handle, protection class IP65						
2	0 - 1	96x96x70	ONA2EPB	1SCA022662R3410	4	0.3
3	0 - 1	96x96x70	ONA3EPB	1SCA022662R3500	4	0.3
4	0 - 1	96x96x70	ONA4EPB	1SCA022662R3680	4	0.3
5	0 - 1	96x96x85	ONA5EPB	1SCA022755R1020	4	0.3
6	0 - 1	96x96x85	ONA6EPB	1SCA022755R1110	4	0.3
8	0 - 1	96x96x108	ONA8EPB	1SCA022755R1290	4	0.3
9	0 - 1	96x96x138	ONA9EPB	1SCA022761R4710	4	0.3

Padlockable red-yellow handle, protection class IP65

2	0 - 1	96x96x70	ONA2EZ3PRY	1SCA112514R1001	4	0.3
3	0 - 1	96x96x70	ONA3EZ3PRY	1SCA112515R1001	4	0.3
4	0 - 1	96x96x70	ONA4EZ3PRY	1SCA112516R1001	4	0.3
5	0 - 1	96x96x85	ONA5EZ3PRY	1SCA112517R1001	4	0.3
6	0 - 1	96x96x85	ONA6EZ3PRY	1SCA112518R1001	4	0.3
8	0 - 1	96x96x108	ONA8EZ3PRY	1SCA112520R1001	4	0.3
9	0 - 1	96x96x138	ONA9EZ3PRY	1SCA112521R1001	4	0.3

Key type, protection class IP54

3	0 - 1	96x96x100	ONA3EKB	1SCA022662R2260	4	0.3
---	-------	-----------	---------	-----------------	---	-----

Change-over switches

Protection class IP65

1	1 - 0 - 2	96x96x108	ONU1EPB	1SCA022755R2850	4	0.3
---	-----------	-----------	---------	-----------------	---	-----

Motor control switches

Protection class IP65

Reversing switches

3	1 - 0 - 2	96x96x108	ONW3EPB	1SCA022755R2930	4	0.3
3	1 - 0 - 2	96x96x138	OL40W3EPB	1SCA022849R0180	4	0.4

I _{th} [A]	Function	Size of ¹⁾ enclosure	Type	Order number	Delivery batch [pcs]	Weight/unit [kg]
---------------------	----------	---------------------------------	------	--------------	----------------------	------------------

Star delta switches

25	0 - Y - ΔΔ	161x100x80	ONSDEPB	1SCA022662R4140	4	0.3
45	0 - Y - ΔΔ	305x215x185	OL40SDEPB	1SCA022755R3230	4	0.4

Pole change switches (Dahlander)

25	0 - 1 - 2	305x215x185	ONP12EPB	1SCA022849R0260	1	0.3
40	0 - 1 - 2	305x215x185	OL40P12EPB	1SCA022849R0340	1	0.4



ONA_EPB



ONA_EZ3PRY

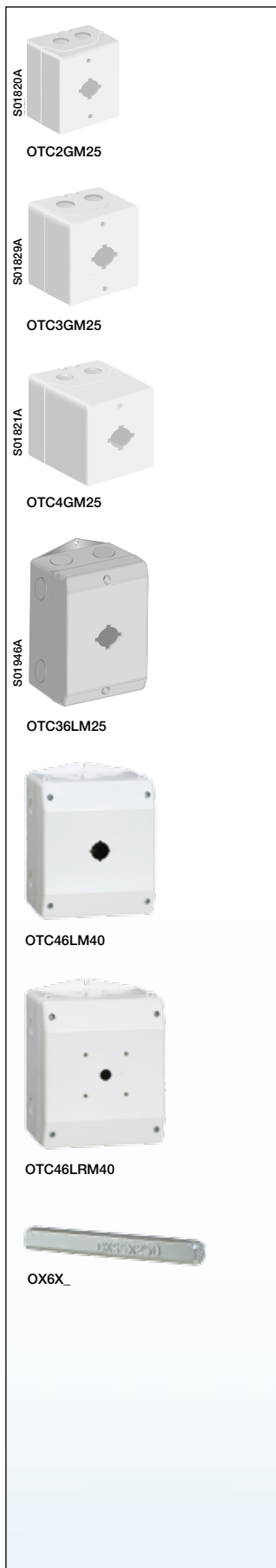


ONA3EKB



ONSDEPB

¹⁾ The height without handle.
Special enclosed cam switches configured by the Camweb tool.



Enclosures

The enclosures can accommodate cam switches and switch-disconnectors.

Square enclosures

Suitable for door mounting and the type OTC36M25 click-on base mounting with circlip. Neutral and earth terminals, 6mm², included. Enclosure colour: light grey.

Handle mounting ¹⁾	Protection class	Size of enclosure	Type	Order number	Delivery batch [pcs]	Weight/unit [kg]
Suitable for switch types: OM_/ON_P: up to 4 contacts, OL40_P: 2 contacts						
One hole	IP 65	96x96x70	OTC26M25	1SCA022745R4680	20	0.2
Suitable for switch types: OM_/ON_P: up to 6 contacts, OL40_P: 4 contacts, OT16F_: 3 to 4 poles						
One hole	IP65	96x96x84.5	OTC36M25	1SCA022757R6520	10	0.2
Suitable for switch types: OM_/ON_P: up to 10 contacts, OL40_P: 6 contacts						
One hole	IP 65	96x96x108	OTC46M25	1SCA027745R4840	10	0.2

Rectangular enclosures

Suitable for door or DIN-rail mounting, protection class IP65. Neutral and earth terminals included. Enclosure colour: light grey. The DIN-rail is including in the enclosures OTC36L_.

Handle mounting ¹⁾	Size of earth/neutral terminal	Size of enclosure	Type	Order number	Delivery batch [pcs]	Weight/unit [kg]
Suitable for switch types: OM_/ON_P: up to 6 contacts, OL40_P: 4 contacts, OTC36L_/OT16...45F_: 3 and 4 pole, OTC46L_/OT16...63F_: 3 and 4 pole						
M-type knock-outs						
One hole	6 mm ²	161x100x80	OTC36LM25	1SCA022761R4980	20	0.2
One hole	16 mm ²	175x145x110	OTC46LM40	1SCA112832R1001	10	0.3
Knock outs 2x3/4						
One hole	6 mm ²	165x100x80	OTC36L3/4	1SCA022761R4980	20	0.2
Suitable for switch types: OM/ON_R: up to 6 contacts, OL40...80_R: 4 contacts, OT16...45F_: 3 and 4 pole						
Four holes	16 mm ²	175x145x110	OTC46LRM40	1SCA112838R1001	10	0.3

Shafts

Shafts for 3 and 4-pole OT-switches with the handle type OZ331SP_, see page 35.

Shaft length unit [mm]	Suitable for enclosure/with switch	Type	Order number	Delivery [pcs]	Weight batch [kg]
48	OTC36M25/OT16F_	OX6X48	1SCA113442R1001	10	0.02
40	OTC36LM25/OT16...25F_ OTC46LM40/OT63F_	OX6X40	1SCA112994R1001	10	0.02
60	OTC46LM40/OT40F_	OX6X60	1SCA111459R1001	10	0.02

DIN-rail, optional

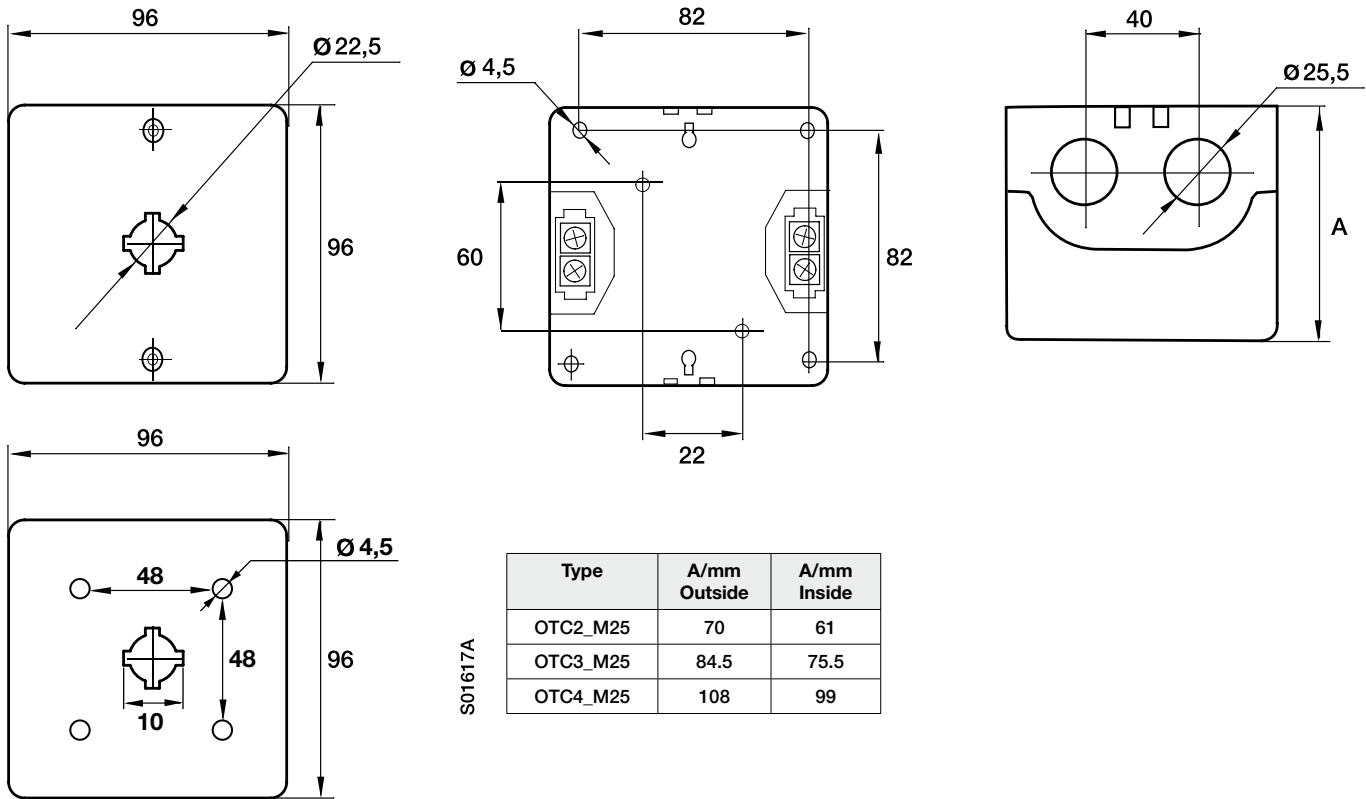
For OTC46L_ enclosures

Precut 35 mm DIN-rail, length 100 mm: Side movement stoppers for 3 and 4 pole switches OT16...80 and 8 pole OT16...40

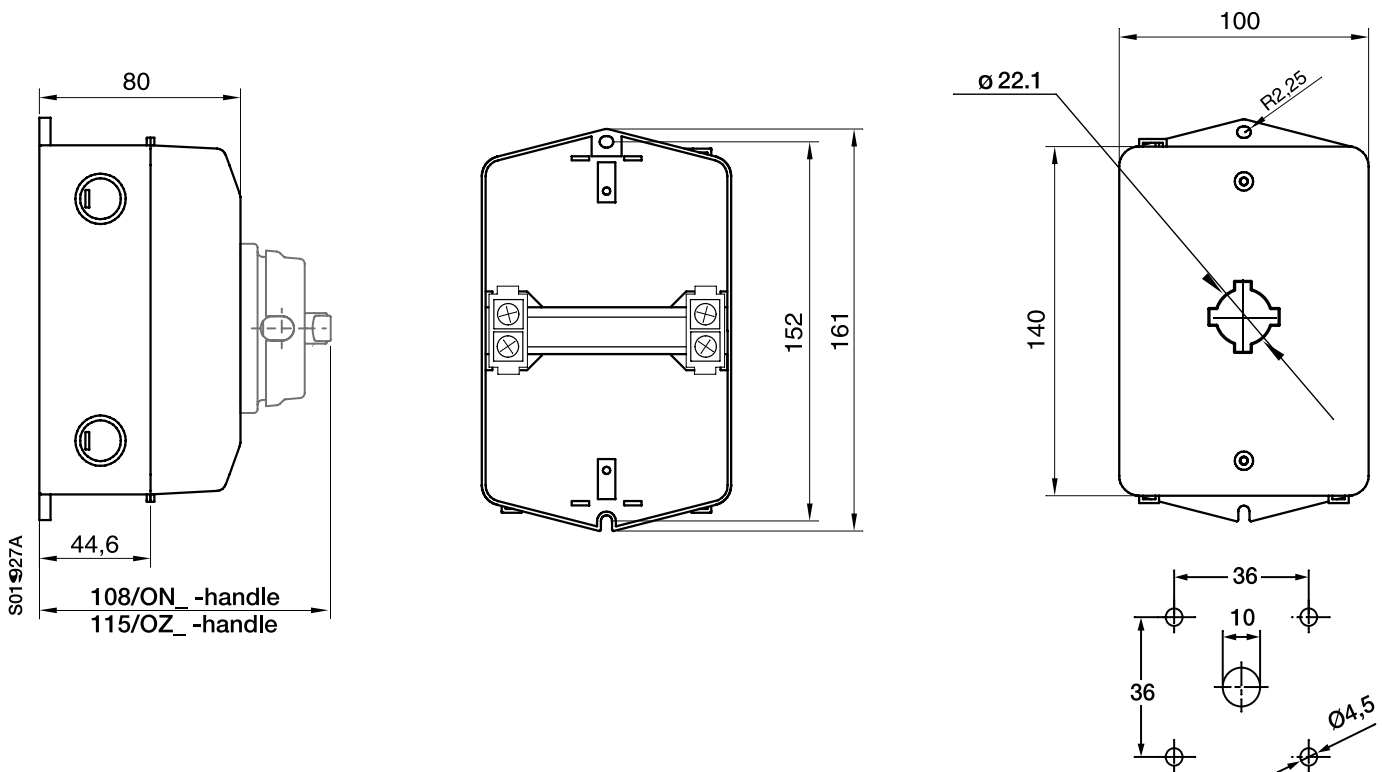
Type	Order number	Delivery	Weight
OTC46L_	OTUXW1	1SCA115687R1001	10 0.3

¹⁾ One hole (snap on mounting handle), Four holes (screw mounted handle)

OTC_



OTC36L_

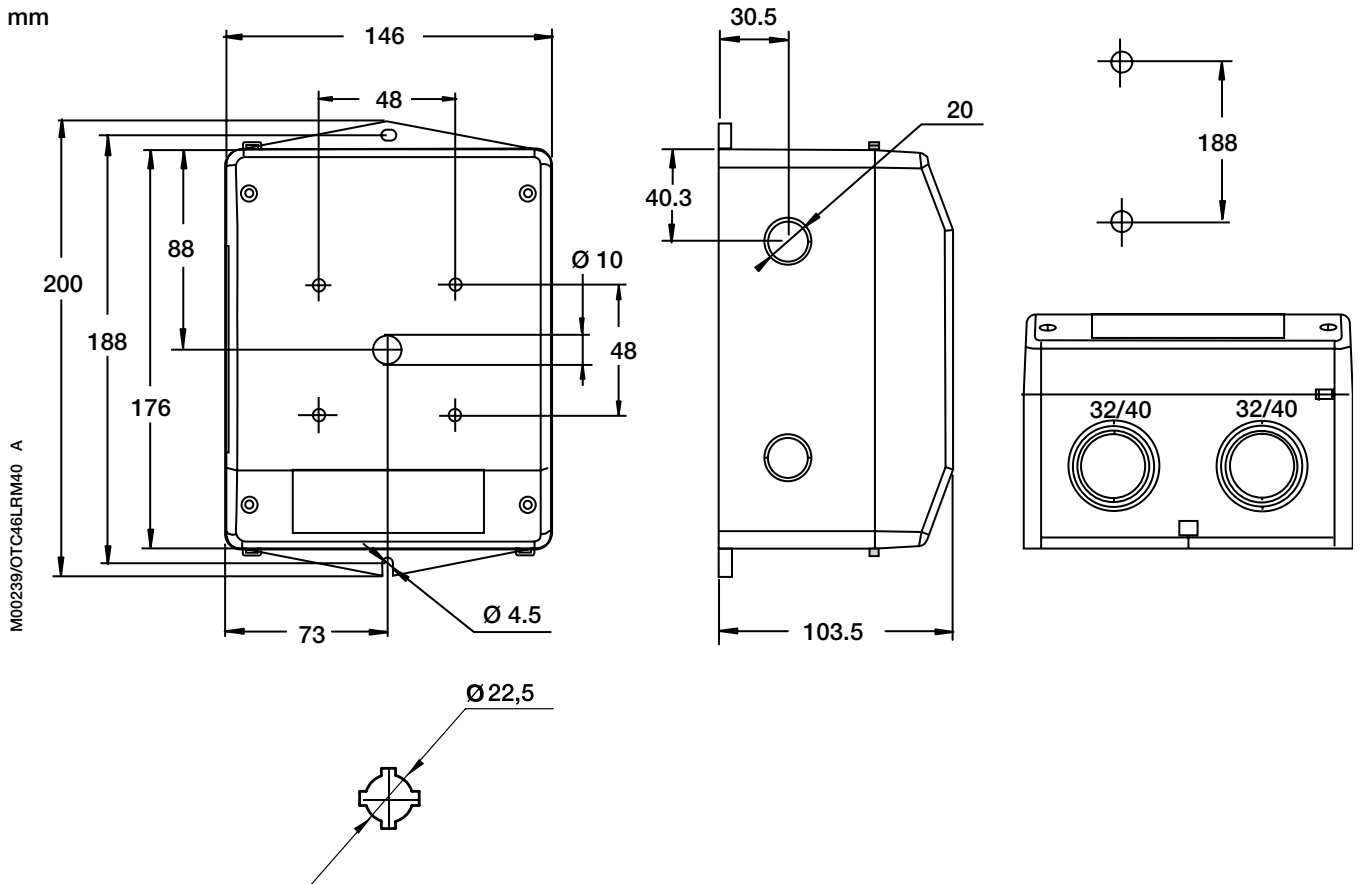




Enclosed rotary cam switches Dimension drawings

OTC_46L_

mm



Type	Order number	Page	Description
OL125A1RB	1SCA022790R1370	18	ON - OFF switch
OL125A2RB	1SCA022790R1450	18	ON - OFF switch
OL125A3RB	1SCA022790R1530	18	ON - OFF switch
OL125A4RB	1SCA022790R1610	18	ON - OFF switch
OL125A6RB	1SCA022790R1700	18	ON - OFF switch
OL125A8RB	1SCA022790R1880	18	ON - OFF switch
OL125P012RB	1SCA022791R5590	28	Pole-change switch
OL125PW36RB	1SCA022791R3540	23	Bypass switch
OL125PW48RB	1SCA022791R4010	23	Bypass switch
OL125SDRB	1SCA022791R5080	28	Star-delta switch
OL125SO31RB	1SCA022791R4510	24	Multistep switch
OL125U1RB	1SCA022790R1960	20	Change-over switch
OL125U2RB	1SCA022790R2000	20	Change-over switch
OL125U3RB	1SCA022790R2180	20	Change-over switch
OL125U4RB	1SCA022790R2260	20	Change-over switch
OL125UC3RB	1SCA022791R1500	22	Change-over switch
OL125UC4RB	1SCA022791R2060	22	Change-over switch
OL125WS1RB	1SCA022790R2340	21	Change-over switch
OL125WS2RB	1SCA022790R2420	21	Change-over switch
OL125WS36RB	1SCA022791R2570	23	Bypass switch
OL125WS3RB	1SCA022790R2510	21	Change-over switch
OL125WS48RB	1SCA022791R3030	23	Bypass switch
OL125WS4RB	1SCA022790R2690	21	Change-over switch
OL160A1RB	1SCA022790R5010	18	ON - OFF switch
OL160A2RB	1SCA022790R5100	18	ON - OFF switch
OL160A3RB	1SCA022790R5280	18	ON - OFF switch
OL160A4RB	1SCA022790R5360	18	ON - OFF switch
OL160A6RB	1SCA022790R5440	18	ON - OFF switch
OL160A8RB	1SCA022790R5520	18	ON - OFF switch
OL160P012RB	1SCA022791R5670	28	Pole-change switch
OL160PW36RB	1SCA022791R3620	23	Bypass switch
OL160PW48RB	1SCA022791R4190	23	Bypass switch
OL160SDRB	1SCA022791R5160	28	Star-delta switch
OL160SO31RB	1SCA022791R4600	24	Multistep switch
OL160U1RB	1SCA022790R6840	20	Change-over switch
OL160U2RB	1SCA022790R6920	20	Change-over switch
OL160U3RB	1SCA022790R7060	20	Change-over switch
OL160U4RB	1SCA022790R7140	20	Change-over switch
OL160UC3RB	1SCA022791R1680	22	Change-over switch
OL160UC4RB	1SCA022791R2140	22	Change-over switch
OL160WS1RB	1SCA022790R8030	21	Change-over switch
OL160WS2RB	1SCA022790R8110	21	Change-over switch
OL160WS36RB	1SCA022791R2650	23	Bypass switch
OL160WS3RB	1SCA022790R8200	21	Change-over switch
OL160WS48RB	1SCA022791R3110	23	Bypass switch
OL160WS4RB	1SCA022790R8380	21	Change-over switch
OL200A1RB	1SCA022790R5610	18	ON - OFF switch
OL200A2RB	1SCA022790R5790	18	ON - OFF switch
OL200A3RB	1SCA022790R5870	18	ON - OFF switch
OL200A4RB	1SCA022790R5950	18	ON - OFF switch
OL200A6RB	1SCA022790R6090	18	ON - OFF switch
OL200A8RB	1SCA022790R6170	18	ON - OFF switch
OL200P012RB	1SCA022791R5750	28	Pole-change switch
OL200PW36RB	1SCA022791R3710	23	Bypass switch
OL200PW48RB	1SCA022791R4270	23	Bypass switch
OL200SDRB	1SCA022791R5240	28	Star-delta switch
OL200SO31RB	1SCA022791R4780	24	Multistep switch
OL200U1RB	1SCA022790R7220	20	Change-over switch
OL200U2RB	1SCA022790R7310	20	Change-over switch
OL200U3RB	1SCA022790R7490	20	Change-over switch
OL200U4RB	1SCA022790R7570	20	Change-over switch
OL200UC3RB	1SCA022791R1760	22	Change-over switch
OL200UC4RB	1SCA022791R2220	22	Change-over switch
OL200WS1RB	1SCA022790R8460	21	Change-over switch
OL200WS2RB	1SCA022790R8540	21	Change-over switch
OL200WS36RB	1SCA022791R2730	23	Bypass switch
OL200WS3RB	1SCA022790R8620	21	Change-over switch
OL200WS48RB	1SCA022791R3200	23	Bypass switch
OL200WS4RB	1SCA022790R8710	21	Change-over switch
OL40A1PB	1SCA022755R7140	18	ON - OFF switch
OL40A1RB	1SCA100297R1001	18	ON - OFF switch
OL40A2PB	1SCA022755R7220	18	ON - OFF switch
OL40A2RB	1SCA100298R1001	18	ON - OFF switch
OL40A3PB	1SCA022755R7310	18	ON - OFF switch
OL40A3RB	1SCA100305R1001	18	ON - OFF switch
OL40A4PB	1SCA022755R7490	18	ON - OFF switch

Type	Order number	Page	Description
OL40A4RB	1SCA100306R1001	18	ON - OFF switch
OL40A6PB	1SCA022755R7650	18	ON - OFF switch
OL40A8PB	1SCA022755R7810	18	ON - OFF switch
OL40AU31RB	1SCA100322R1001	31	Ammeter switch
OL40P12EPB	1SCA022849R0340	60	Enclosed pole change switch
OL40P12PB	1SCA022756R3380	28	Pole-change switch
OL40PW36PB	1SCA022791R1250	23	Bypass switch
OL40PW48PB	1SCA022791R1330	23	Bypass switch
OL40SDEPB	1SCA022755R3230	60	Enclosed star delta switch
OL40SDPB	1SCA022756R3110	28	Star-delta switch
OL40SO101PB	1SCA022776R2660	27	Multistep switch
OL40SO111PB	1SCA022776R2820	27	Multistep switch
OL40SO31PB	1SCA022758R7810	24	Multistep switch
OL40SO61PB	1SCA022776R1420	26	Multistep switch
OL40SO62PB	1SCA022776R1510	26	Multistep switch
OL40SO63PB	1SCA022776R1690	26	Multistep switch
OL40SO71PB	1SCA022773R3300	26	Multistep switch
OL40SO81PB	1SCA022773R3480	26	Multistep switch
OL40SO91PB	1SCA022776R2400	27	Multistep switch
OL40ST101PB	1SCA022775R1110	27	Multistep switch
OL40ST111PB	1SCA022776R3040	27	Multistep switch
OL40ST121PB	1SCA022775R1200	27	Multistep switch
OL40ST301PB	1SCA022761R6680	28	Ventilation switch
OL40ST61PB	1SCA022775R1380	26	Multistep switch
OL40ST62PB	1SCA022776R1930	26	Multistep switch
OL40ST63PB	1SCA022776R2070	26	Multistep switch
OL40ST71PB	1SCA022776R2230	26	Multistep switch
OL40ST81PB	1SCA022773R4960	26	Multistep switch
OL40ST91PB	1SCA022775R1460	27	Multistep switch
OL40U1PB	1SCA022761R0990	20	Change-over switch
OL40U1RB	1SCA100307R1001	20	Change-over switch
OL40U2PB	1SCA022761R1020	20	Change-over switch
OL40U2RB	1SCA100308R1001	20	Change-over switch
OL40U3PB	1SCA022761R1110	20	Change-over switch
OL40U3RB	1SCA100309R1001	20	Change-over switch
OL40U4PB	1SCA022761R1290	20	Change-over switch
OL40U4RB	1SCA100311R1001	20	Change-over switch
OL40UC3PB	1SCA022791R0870	22	Change-over switch
OL40UC4PB	1SCA022791R0950	22	Change-over switch
OL40URR1PB	1SCA022761R1370	21	Change-over switch
OL40URR2PB	1SCA022761R1450	21	Change-over switch
OL40URR3PB	1SCA022761R1530	21	Change-over switch
OL40W2PB	1SCA022757R5550	28	Reversing switch
OL40W3EPB	1SCA022849R0180	60	Enclosed reversing switch
OL40W3PB	1SCA022757R5630	28	Reversing switch
OL40WC1PB	1SCA022799R8430	22	Change-over switch
OL40WC2PB	1SCA022799R8860	22	Change-over switch
OL40WC3PB	1SCA022799R9410	22	Change-over switch
OL40WC4PB	1SCA022799R9590	22	Change-over switch
OL40WS1PB	1SCA022761R1610	21	Change-over switch
OL40WS1RB	1SCA100316R1001	21	Change-over switch
OL40WS2PB	1SCA022761R1700	21	Change-over switch
OL40WS2RB	1SCA100319R1001	21	Change-over switch
OL40WS36PB	1SCA022791R1090	23	Bypass switch
OL40WS3PB	1SCA022761R1880	21	Change-over switch
OL40WS3RB	1SCA100320R1001	21	Change-over switch
OL40WS48PB	1SCA022791R1170	23	Bypass switch
OL40WS4PB	1SCA022761R1960	21	Change-over switch
OL60WS4RB	1SCA100321R1001	21	Change-over switch
OL63A1RB	1SCA111537R1001	18	ON - OFF switch
OL63A2RB	1SCA111538R1001	18	ON - OFF switch
OL63A3RB	1SCA111539R1001	18	ON - OFF switch
OL63A4RB	1SCA111540R1001	18	ON - OFF switch
OL63A6RB	1SCA111541R1001	18	ON - OFF switch
OL63A8RB	1SCA111542R1001	18	ON - OFF switch
OL63P012RB	1SCA111587R1001	28	Pole-change switch
OL63PW36RB	1SCA111591R1001	23	Bypass switch
OL63PW48RB	1SCA111592R1001	23	Bypass switch
OL63SDRB	1SCA111586R1001	28	Star-delta switch
OL63SO31RB	1SCA111603R1001	24	Multistep switch
OL63U1RB	1SCA110936R1001	20	Change-over switch
OL63U2RB	1SCA110937R1001	20	Change-over switch
OL63U3RB	1SCA111543R1001	20	Change-over switch
OL63U4RB	1SCA111544R1001	20	Change-over switch
OL63UC3RB	1SCA111593R1001	22	Change-over switch
OL63UC4RB	1SCA111594R1001	22	Change-over switch

Type	Order number	Page	Description
OL63W2RB	1SCA111588R1001	28	Reversing switch
OL63WC1RB	1SCA111596R1001	22	Change-over switch
OL63WC2RB	1SCA111597R1001	22	Change-over switch
OL63WC3RB	1SCA111598R1001	22	Change-over switch
OL63WC4RB	1SCA111599R1001	22	Change-over switch
OL63WS1RB	1SCA022790R0990	21	Change-over switch
OL63WS2RB	1SCA022790R1020	21	Change-over switch
OL63WS36RB	1SCA111600R1001	23	Bypass switch
OL63WS3RB	1SCA022790R1110	21	Change-over switch
OL63WS48RB	1SCA111601R1001	23	Bypass switch
OL63WS4RB	1SCA022790R1290	21	Change-over switch
OL80NA1RB	1SCA111624R1001	18	ON - OFF switch
OL80NA2RB	1SCA111625R1001	18	ON - OFF switch
OL80NA3RB	1SCA111626R1001	18	ON - OFF switch
OL80NA4RB	1SCA111627R1001	18	ON - OFF switch
OL80NA6RB	1SCA111628R1001	18	ON - OFF switch
OL80NA8RB	1SCA111629R1001	18	ON - OFF switch
OL80NP012RB	1SCA111637R1001	28	Pole-change switch
OL80NPW36RB	1SCA111641R1001	23	Bypass switch
OL80NPW48RB	1SCA111642R1001	23	Bypass switch
OL80NSDRB	1SCA111636R1001	28	Star-delta switch
OL80NSO31RB	1SCA111655R1001	24	Multistep switch
OL80NU1RB	1SCA111643R1001	20	Change-over switch
OL80NU2RB	1SCA111630R1001	20	Change-over switch
OL80NU3RB	1SCA111631R1001	20	Change-over switch
OL80NU4RB	1SCA111632R1001	20	Change-over switch
OL80NUC3RB	1SCA111645R1001	22	Change-over switch
OL80NUC4RB	1SCA111646R1001	22	Change-over switch
OL80NW2RB	1SCA111638R1001	28	Reversing switch
OL80NWC1RB	1SCA111648R1001	22	Change-over switch
OL80NWC2RB	1SCA111649R1001	22	Change-over switch
OL80NWC3RB	1SCA111650R1001	22	Change-over switch
OL80NWC4RB	1SCA111651R1001	22	Change-over switch
OL80NWS1RB	1SCA111647R1001	21	Change-over switch
OL80NWS2RB	1SCA111633R1001	21	Change-over switch
OL80NWS36RB	1SCA111652R1001	23	Bypass switch
OL80NWS3RB	1SCA111634R1001	21	Change-over switch
OL80NWS48RB	1SCA111653R1001	23	Bypass switch
OL80NWS4RB	1SCA111635R1001	21	Change-over switch
OLF130	1SCA022796R5420	36	Front plate
OLF64	1SCA022798R6260	36	Front plate
OLF72	1SCA111689R1001	36	Lettering plate
OLF90	1SCA022796R5180	36	Front plate
OLF64	1SCA022796R3300	36	Lettering plate
OLF64	1SCA022796R3480	36	Lettering plate
OLFY130	1SCA022796R5340	36	Front plate
OLF64	1SCA022798R6340	36	Front plate
OLF90	1SCA022796R5260	36	Front plate
OLR1B	1SCA111831R1001	33	Handle
OLR1G	1SCA111833R1001	33	Handle
OLR1R	1SCA111834R1001	33	Handle
OLR2B	1SCA022796R3720	33	Handle
OLR2G	1SCA022796R3810	33	Handle
OLR2R	1SCA022796R3990	33	Handle
OLR3B	1SCA022796R4110	33	Handle
OLR3G	1SCA022796R4290	33	Handle
OLR3R	1SCA022796R4370	33	Handle
OLZ12	1SCA022807R0560	36	Shaft sealing
OLZ1601L2	1SCA022806R0250	38	Protective rear cover
OLZ1601L4	1SCA022806R0330	38	Protective rear cover
OLZ1601L6	1SCA022806R0410	38	Protective rear cover
OLZ2010RB	1SCA116864R1001	35	Pistol type handle
OLZ2010RR	1SCA116866R1001	35	Pistol type handle
OLZ20PB	1SCA112522R1001	34	Padlockable handle knob
OLZ20PRY	1SCA112523R1001	34	Padlockable handle knob
OLZ20RB	1SCA112524R1001	34	Padlockable handle knob
OLZ20RRY	1SCA112525R1001	34	Padlockable handle knob
OLZ208RB	1SCA116862R1001	35	Pistol type handle
OLZ208RR	1SCA116863R1001	35	Pistol type handle
OLZ332RB	1SCA022794R7790	35	Round padlockable handle
OLZ332RRY	1SCA022794R7870	35	Round padlockable handle
OLZ3DB	1SCA022796R4960	34	Double lever handle
OLZ3DR	1SCA022796R5000	34	Double lever handle
OLZ401L2	1SCA022805R9910	38	Protective rear cover
OLZ401L4	1SCA022806R0090	38	Protective rear cover
OLZ401L6	1SCA022806R0170	38	Protective rear cover

Type	Order number	Page	Description
OLZ63D34	1SCA022785R6720	38	Protective rear cover
OLZ63D36	1SCA022785R6810	38	Protective rear cover
OLZ63D38	1SCA022785R6990	38	Protective rear cover
OLZ652	1SCA022819R5930	37	Door coupling kit
OLZ653	1SCA022819R6070	37	Door coupling kit
OLZ8RB	1SCA116858R1001	34	Pistol type handle
OLZ8RR	1SCA116859R1001	34	Pistol type handle
OLZ9RB	1SCA116860R1001	34	Pistol type handle
OLZ9RR	1SCA116861R1001	34	Pistol type handle
OMA01KB	1SCA022570R7810	19	ON - OFF switch
OMA01PB	1SCA022570R6680	19	ON - OFF switch
OMA02PB	1SCA022570R6760	19	ON - OFF switch
OMA03KB	1SCA022570R7900	19	ON - OFF switch
OMA03PB	1SCA022570R6840	19	ON - OFF switch
OMA04PB	1SCA022570R6920	19	ON - OFF switch
OMA05PB	1SCA022570R7060	19	ON - OFF switch
OMA06PB	1SCA022570R7140	19	ON - OFF switch
OMA1KB	1SCA022531R4760	19	ON - OFF switch
OMA1PB	1SCA022531R3950	18	ON - OFF switch
OMA2PB	1SCA022531R4090	18	ON - OFF switch
OMA3KB	1SCA022531R4840	19	ON - OFF switch
OMA3PB	1SCA022531R4170	18	ON - OFF switch
OMA4PB	1SCA022531R4330	18	ON - OFF switch
OMA5PB	1SCA022531R4410	18	ON - OFF switch
OMA6PB	1SCA022531R4500	18	ON - OFF switch
OMAU31PB	1SCA022533R5410	31	Ammeter switch
OMF101	1SCA022540R4590	36	Front plate
OMF72	1SCA111687R1001	36	Lettering plate
OMFB72	1SCA022555R4990	36	Lettering plate
OMFG72	1SCA022556R1850	36	Lettering plate
OMFY101	1SCA022796R3210	36	Front plate
OMNX80	1SCA022553R8440	38	Nut spanner tool
OMPB1	1SCA022553R7470	33	Handle
OMPG1	1SCA022553R8010	33	Handle
OMPR1	1SCA022796R2830	33	Handle
OMPRY1	1SCA022796R2910	33	Handle
OMSA2PB	1SCA022531R6380	29	Stop switch
OMSE158PB	1SCA022545R4930	29	Pumpstart switch
OMSE2PB	1SCA022531R6460	29	Start switch
OMSEA10PB	1SCA022531R6540	29	Start switch
OMSO21PB	1SCA022533R0880	24	Multistep switch
OMSO22PB	1SCA022533R0960	24	Multistep switch
OMSO23PB	1SCA022533R1000	24	Multistep switch
OMSO24PB	1SCA022533R1180	24	Multistep switch
OMSO31PB	1SCA022545R3110	24	Multistep switch
OMSO32PB	1SCA022533R1420	24	Multistep switch
OMSO33PB	1SCA022533R1510	24	Multistep switch
OMSO34PB	1SCA022533R1690	24	Multistep switch
OMSO41PB	1SCA022533R1770	25	Multistep switch
OMSO42PB	1SCA022533R1850	25	Multistep switch
OMSO43PB	1SCA022533R3710	25	Multistep switch
OMSO51PB	1SCA022533R3800	25	Multistep switch
OMSO52PB	1SCA022533R3980	25	Multistep switch
OMST301PB	1SCA022533R4360	28	Ventilation switch
OMST31PB	1SCA022533R2580	25	Multistep switch
OMST32PB	1SCA022533R4010	25	Multistep switch
OMST33PB	1SCA022533R4100	25	Multistep switch
OMST34PB	1SCA022533R4280	25	Multistep switch
OMST41PB	1SCA022533R4440	25	Multistep switch
OMST42PB	1SCA022533R4610	25	Multistep switch
OMST43PB	1SCA022533R4790	25	Multistep switch
OMST51PB	1SCA022533R4870	25	Multistep switch
OMST52PB	1SCA022533R5090	25	Multistep switch
OMU1KB	1SCA022532R6340	20	Change-over switch
OMU1PB	1SCA022532R5960	20	Change-over switch
OMU2PB	1SCA022532R6000	20	Change-over switch
OMU3KB	1SCA022532R6420	20	Change-over switch
OMU3PB	1SCA022532R6180	20	Change-over switch
OMU4PB	1SCA022532R6260	20	Change-over switch
OMURR1PB	1SCA022532R6510	21	Change-over switch
OMURR3PB	1SCA022532R6690	21	Change-over switch
OMV30PB	1SCA022533R5170	30	Voltmeter switch
OMV32PB	1SCA022549R7740	30	Voltmeter switch
OMV3PB	1SCA022533R5250	30	Voltmeter switch
OMVN30PB	1SCA022533R5330	30	Voltmeter switch
OMVN3PB	1SCA022558R4470	30	Voltmeter switch



Index

Type	Order number	Page	Description
OMWC1PB	1SCA022799R8270	22	Change-over switch
OMWC2PB	1SCA022799R8600	22	Change-over switch
OMWC3PB	1SCA022799R9080	22	Change-over switch
OMWC4PB	1SCA022799R9160	22	Change-over switch
OMWS1PB	1SCA022532R6770	21	Change-over switch
OMWS2PB	1SCA022532R6850	21	Change-over switch
OMWS3PB	1SCA022533R0610	21	Change-over switch
OMWS4PB	1SCA022533R0700	21	Change-over switch
OMX99	1SCA022553R8100	36	Lettering plate
OMXB1	1SCA022629R7270	33	Handle
OMXNB1	1SCA022577R9810	33	Handle
ONA01KB	1SCA022570R8030	19	ON - OFF switch
ONA01M	1SCA022572R5630	19	ON - OFF switch
ONA01PB	1SCA022570R7220	19	ON - OFF switch
ONA02M	1SCA022572R5710	19	ON - OFF switch
ONA02PB	1SCA022570R7310	19	ON - OFF switch
ONA03KB	1SCA022570R8110	19	ON - OFF switch
ONA03M	1SCA022572R5800	19	ON - OFF switch
ONA03PB	1SCA022570R7490	19	ON - OFF switch
ONA04PB	1SCA022570R7570	19	ON - OFF switch
ONA05PB	1SCA022570R7650	19	ON - OFF switch
ONA06M	1SCA022572R5980	19	ON - OFF switch
ONA06PB	1SCA022570R7730	19	ON - OFF switch
ONA1KB	1SCA022531R5570	19	ON - OFF switch
ONA1KXB	1SCA022708R7830	19	ON - OFF switch
ONA1M	1SCA022531R6030	19	ON - OFF switch
ONA1PB	1SCA022531R4920	18	ON - OFF switch
ONA1RB	1SCA100196R1001	18	ON - OFF switch
ONA1XB	1SCA022708R3920	19	ON - OFF switch
ONA2EPB	1SCA022662R3410	60	Enclosed ON-OFF switch
ONA2EZ3PRY	1SCA112514R1001	60	Enclosed ON-OFF switch
ONA2KXB	1SCA100325R1001	19	ON - OFF switch
ONA2M	1SCA022531R6110	19	ON - OFF switch
ONA2PB	1SCA022531R5060	18	ON - OFF switch
ONA2RB	1SCA100206R1001	18	ON - OFF switch
ONA2XB	1SCA022708R5540	19	ON - OFF switch
ONA3EKB	1SCA022755R2260	60	Enclosed ON-OFF switch
ONA3EPB	1SCA022662R3500	60	Enclosed ON-OFF switch
ONA3EZ3PRY	1SCA112515R1001	60	Enclosed ON-OFF switch
ONA3KB	1SCA022531R5650	19	ON - OFF switch
ONA3KXB	1SCA022708R7910	19	ON - OFF switch
ONA3M	1SCA022531R6200	19	ON - OFF switch
ONA3PB	1SCA022531R5140	18	ON - OFF switch
ONA3RB	1SCA100209R1001	18	ON - OFF switch
ONA3XB	1SCA022708R5620	19	ON - OFF switch
ONA4EPB	1SCA022662R3680	60	Enclosed ON-OFF switch
ONA4EZ3PRY	1SCA112516R1001	60	Enclosed ON-OFF switch
ONA4PB	1SCA022531R5220	18	ON - OFF switch
ONA4RB	1SCA100214R1001	18	ON - OFF switch
ONA4XB	1SCA022708R5710	19	ON - OFF switch
ONA5EPB	1SCA022755R1020	60	Enclosed ON-OFF switch
ONA5EZ3PRY	1SCA112517R1001	60	Enclosed ON-OFF switch
ONA5PB	1SCA022531R5310	18	ON - OFF switch
ONA6EPB	1SCA022755R1110	60	Enclosed ON-OFF switch
ONA6EZ3PRY	1SCA112518R1001	60	Enclosed ON-OFF switch
ONA6M	1SCA022545R3020	19	ON - OFF switch
ONA6PB	1SCA022531R5490	18	ON - OFF switch
ONA8EPB	1SCA022755R1290	60	Enclosed ON-OFF switch
ONA8EZ3PRY	1SCA112520R1001	60	Enclosed ON-OFF switch
ONA8PB	1SCA022684R5230	18	ON - OFF switch
ONA9EPB	1SCA022761R4710	60	Enclosed ON-OFF switch
ONA9EZ3PRY	1SCA112521R1001	60	Enclosed ON-OFF switch
ONAU31M	1SCA022549R9360	31	Ammeter switch
ONAU31PB	1SCA022533R5840	31	Ammeter switch
ONAU31RB	1SCA100324R1001	31	Ammeter switch
ONAU31XB	1SCA022709R7550	31	Ammeter switch
ONAU32PB	1SCA022558R4210	31	Ammeter switch
ONAV12PB	1SCA022803R4250	31	Volt-ammeter switch
ONBC0110PB	1SCA022803R3950	32	Binarycode switch
ONBC0112PB	1SCA022803R4090	32	Binarycode switch
ONBC070PB	1SCA022803R3360	32	Binarycode switch
ONBC071PB	1SCA022803R3440	32	Binarycode switch
ONBC072PB	1SCA022803R3520	32	Binarycode switch
ONBC090PB	1SCA022803R3610	32	Binarycode switch
ONBC091PB	1SCA022803R3790	32	Binarycode switch
ONBC092PB	1SCA022803R3870	32	Binarycode switch

Type	Order number	Page	Description
ONF101	1SCA022540R6290	36	Front plate
ONF72	1SCA111688R1001	36	Lettering plate
ONFB72	1SCA022555R5020	36	Lettering plate
ONFG72	1SCA022556R1930	36	Lettering plate
ONFM101	1SCA022553R8520	36	Front plate
ONFY101	1SCA022716R4250	36	Front plate
ONK95SF203	1SCA116867R1001	38	Spare key
ONMK95R405	1SCA116868R1001	38	Spare key
ONMK95R455	1SCA116869R1001	38	Spare key
ONP12EPB	1SCA022849R0260	60	Enclosed pole change switch
ONP12PB	1SCA022576R6740	28	Pole-change switch
ONPB1	1SCA022553R7550	33	Handle
ONPG1	1SCA022553R7630	33	Handle
ONPLB1	1SCA022776R5680	33	Handle
ONPLG1	1SCA022776R5760	33	Handle
ONPLR1	1SCA022776R5840	33	Handle
ONPLRY1	1SCA022776R5920	33	Handle
ONPR1	1SCA022796R3050	33	Handle
ONPRY1	1SCA022796R3130	33	Handle
ONPW36PB	1SCA022791R0610	23	Bypass switch
ONPW48PB	1SCA022791R0790	23	Bypass switch
ONRF101	1SCA106725R1001	36	Front plate
ONRFY101	1SCA106726R1001	36	Front plate
ONSA2PB	1SCA022531R6710	29	Stop switch
ONSB1	1SCA100878R1001	34	Low extended handle knob
ONSEDEPB	1SCA022662R4140	60	Enclosed star delta switch
ONSDPB	1SCA022579R1420	28	Star-delta switch
ONSE158M	1SCA022565R5830	29	Pumpstart switch
ONSE158PB	1SCA022534R2540	29	Pumpstart switch
ONSE2PB	1SCA022563R6290	29	Start switch
ONSEA10M	1SCA022565R5750	29	Start switch
ONSEA10PB	1SCA022531R6890	29	Start switch
ONSEA10RB	1SCA100296R1001	29	Start switch
ONSEA10XB	1SCA022708R9290	29	Start switch
ONSEA1PB	1SCA022605R8610	29	Start switch
ONSG1	1SCA100879R1001	34	Low extended handle knob
ONSO101PB	1SCA022776R2580	27	Multistep switch
ONSO111PB	1SCA022776R2740	27	Multistep switch
ONSO21M	1SCA022532R9100	24	Multistep switch
ONSO21PB	1SCA022532R9610	24	Multistep switch
ONSO21RB	1SCA100283R1001	24	Multistep switch
ONSO21XB	1SCA022709R2080	24	Multistep switch
ONSO22PB	1SCA022532R9790	24	Multistep switch
ONSO22RB	1SCA100285R1001	24	Multistep switch
ONSO22XB	1SCA022709R2160	24	Multistep switch
ONSO23PB	1SCA022532R9870	24	Multistep switch
ONSO24PB	1SCA022532R9950	24	Multistep switch
ONSO31M	1SCA022532R9280	24	Multistep switch
ONSO31PB	1SCA022533R0020	24	Multistep switch
ONSO31RB	1SCA100286R1001	24	Multistep switch
ONSO31XB	1SCA022709R2830	24	Multistep switch
ONSO32PB	1SCA022533R0110	24	Multistep switch
ONSO33PB	1SCA022533R0290	24	Multistep switch
ONSO34PB	1SCA022533R0370	24	Multistep switch
ONSO41PB	1SCA022533R0450	25	Multistep switch
ONSO42PB	1SCA022533R0530	25	Multistep switch
ONSO43PB	1SCA022533R2230	25	Multistep switch
ONSO51PB	1SCA022533R2310	25	Multistep switch
ONSO52PB	1SCA022533R2400	25	Multistep switch
ONSO61PB	1SCA022776R1180	26	Multistep switch
ONSO62PB	1SCA022776R1260	26	Multistep switch
ONSO63PB	1SCA022776R1340	26	Multistep switch
ONSO71PB	1SCA022691R8480	26	Multistep switch
ONSO81PB	1SCA022661R9730	26	Multistep switch
ONSO91PB	1SCA022776R2310	27	Multistep switch
ONST101PB	1SCA022775R1540	27	Multistep switch
ONST111PB	1SCA022776R2910	27	Multistep switch
ONST121PB	1SCA022775R1620	27	Multistep switch
ONST301M	1SCA022533R2150	28	Ventilation switch
ONST301PB	1SCA022533R3120	28	Ventilation switch
ONST31M	1SCA022533R2070	25	Multistep switch
ONST31PB	1SCA022533R2740	25	Multistep switch
ONST31RB	1SCA100287R1001	25	Multistep switch
ONST31XB	1SCA022709R4610	25	Multistep switch
ONST32PB	1SCA022533R2820	25	Multistep switch
ONST33PB	1SCA022533R2910	25	Multistep switch

Type	Order number	Page	Description
ONST34PB	1SCA022533R3040	25	Multistep switch
ONST41PB	1SCA022533R3210	25	Multistep switch
ONST41RB	1SCA100288R1001	25	Multistep switch
ONST41XB	1SCA022709R5420	25	Multistep switch
ONST42PB	1SCA022533R3390	25	Multistep switch
ONST43PB	1SCA022533R3470	25	Multistep switch
ONST51PB	1SCA022533R3550	25	Multistep switch
ONST52PB	1SCA022533R3630	25	Multistep switch
ONST61PB	1SCA022761R6760	26	Multistep switch
ONST62PB	1SCA022776R1770	26	Multistep switch
ONST63PB	1SCA022776R1850	26	Multistep switch
ONST71PB	1SCA022776R2150	26	Multistep switch
ONST81PB	1SCA022685R7320	26	Multistep switch
ONST91PB	1SCA022775R1710	27	Multistep switch
ONU1EPB	1SCA022755R2850	60	Enclosed change-over switch
ONU1KB	1SCA022532R7740	20	Change-over switch
ONU1M	1SCA022532R8210	20	Change-over switch
ONU1PB	1SCA022532R7310	20	Change-over switch
ONU1RB	1SCA100216R1001	20	Change-over switch
ONU1XB	1SCA022708R9370	20	Change-over switch
ONU2M	1SCA022532R8390	20	Change-over switch
ONU2PB	1SCA022532R7400	20	Change-over switch
ONU2RB	1SCA100219R1001	20	Change-over switch
ONU2XB	1SCA022708R9450	20	Change-over switch
ONU3KB	1SCA022532R7820	20	Change-over switch
ONU3M	1SCA022532R8470	20	Change-over switch
ONU3PB	1SCA022532R7580	20	Change-over switch
ONU3RB	1SCA100220R1001	20	Change-over switch
ONU3XB	1SCA022708R9530	20	Change-over switch
ONU4M	1SCA022534R2710	20	Change-over switch
ONU4PB	1SCA022532R7660	20	Change-over switch
ONU4RB	1SCA100222R1001	20	Change-over switch
ONU4XB	1SCA022708R9610	20	Change-over switch
ONUC3PB	1SCA022791R0360	22	Change-over switch
ONUC4PB	1SCA022791R0280	22	Change-over switch
ONUR139M	1SCA022568R3370	29	Start switch
ONUR139PB	1SCA022531R6970	29	Start switch
ONURR1M	1SCA022568R3530	21	Change-over switch
ONURR1PB	1SCA022532R7910	21	Change-over switch
ONURR2PB	1SCA022558R4040	21	Change-over switch
ONURR2RB	1SCA100223R1001	21	Change-over switch
ONURR2XB	1SCA022709R0620	21	Change-over switch
ONURR3PB	1SCA022532R8040	21	Change-over switch
ONV30M	1SCA022549R9100	30	Voltmeter switch
ONV30PB	1SCA022533R5500	30	Voltmeter switch
ONV30RB	1SCA100263R1001	30	Voltmeter switch
ONV30XB	1SCA022709R7120	30	Voltmeter switch
ONV32PB	1SCA022549R7820	30	Voltmeter switch
ONV3M	1SCA022549R9280	30	Voltmeter switch
ONV3PB	1SCA022533R5680	30	Voltmeter switch
ONV3RB	1SCA100323R1001	30	Voltmeter switch
ONV3XB	1SCA022709R6580	30	Voltmeter switch
ONVA21PB	1SCA022803R4170	31	Volt-ammeter switch
ONVN30M	1SCA022549R9010	30	Voltmeter switch
ONVN30PB	1SCA022533R5760	30	Voltmeter switch
ONVN3M	1SCA022558R4800	30	Voltmeter switch
ONVN3PB	1SCA022558R4630	30	Voltmeter switch
ONW2PB	1SCA022586R8230	28	Reversing switch
ONW3EPB	1SCA022755R2930	60	Enclosed reversing switch
ONW3PB	1SCA022553R8790	28	Reversing switch
ONWC1PB	1SCA022799R8350	22	Change-over switch
ONWC2PB	1SCA022799R8780	22	Change-over switch
ONWC3PB	1SCA022799R9240	22	Change-over switch
ONWC4PB	1SCA022799R9320	22	Change-over switch
ONWS1M	1SCA022532R8710	22	Change-over switch
ONWS1PB	1SCA022532R8120	21	Change-over switch
ONWS1RB	1SCA100236R1001	21	Change-over switch
ONWS1XB	1SCA022709R1270	22	Change-over switch
ONWS2M	1SCA022532R8800	22	Change-over switch
ONWS2PB	1SCA022532R9360	21	Change-over switch
ONWS2RB	1SCA100240R1001	21	Change-over switch
ONWS2XB	1SCA022709R1350	22	Change-over switch
ONWS36PB	1SCA022791R0440	23	Bypass switch
ONWS3M	1SCA022532R8980	22	Change-over switch
ONWS3PB	1SCA022532R9440	21	Change-over switch
ONWS3RB	1SCA022874R9180	21	Change-over switch

Type	Order number	Page	Description
ONWS3XB	1SCA022709R1430	22	Change-over switch
ONWS48PB	1SCA022791R0520	23	Bypass switch
ONWS4M	1SCA022532R9010	22	Change-over switch
ONWS4PB	1SCA022532R9520	21	Change-over switch
ONWS4RB	1SCA100254R1001	21	Change-over switch
ONWS4XB	1SCA022709R1510	22	Change-over switch
ONWS5PB	1SCA022624R6440	21	Change-over switch
ONX30	1SCA022643R8510	33	Adaptor ring
ONX99	1SCA022553R7710	36	Lettering plate
ONXB1	1SCA022629R7350	33	Handle
ONZ10L2	1SCA022621R1570	38	Protective rear cover
ONZ10L4	1SCA022621R1650	38	Protective rear cover
ONZ10L6	1SCA022621R1730	38	Protective rear cover
ONZ11	1SCA022807R0300	36	Shaft sealing
ONZ20B	1SCA022621R1810	34	Padlockable handle knob
ONZ20RY	1SCA022621R1900	34	Padlockable handle knob
ONZ37	1SCA022789R8810	37	DIN-rail mounting plate
ONZ45P	1SCA022819R5850	37	Door coupling kit
ONZ74	1SCA022757R3510	37	Base mounting kit
OTC26M25	1SCA022745R4680	61	Enclosure
OTC36L3/4	1SCA022761R4980	61	Enclosure
OTC36LM25	1SCA022761R4980	61	Enclosure
OTC36M25	1SCA022757R6520	61	Enclosure
OTC46LM40	1SCA112832R1001	61	Enclosure
OTC46LRM40	1SCA112838R1001	61	Enclosure
OTC46M25	1SCA0227745R4840	61	Enclosure
OTUXW1	1SCA115687R1001	61	DIN-rail
OX6X40	1SCA112994R1001	61	Shaft
OX6X48	1SCA113442R1001	61	Shaft
OX6X60	1SCA111459R1001	61	Shaft
OZ331P67B	1SCA111427R1001	35	Round padlockable handle for increased protection
OZ331P67RY	1SCA111429R1001	35	Round padlockable handle for increased protection
OZ331PB	1SCA100657R1001	35	Round padlockable handle
OZ331PRY	1SCA100664R1001	35	Round padlockable handle
OZ331SPB	1SCA112983R1001	35	Round padlockable handle
OZ331SPRY	1SCA113097R1001	35	Round padlockable handle
OZ331RB	1SCA100702R1001	35	Round padlockable handle
OZ331RRY	1SCA100678R1001	35	Round padlockable handle
OZ371PB	1SCA111684R1001	35	Round padlockable handle with door coupling
OZ371PRY	1SCA111685R1001	35	Round padlockable handle with door coupling
OZB372	1SCA113098R1001	36	Lettering plate
OZG71	1SCA111686R1001	35	Shaft guide for OZ371P_ handle
TL.0729	1SCA022704R2310	37	Chamber to chamber connection jumper
TL.0732	1SCA022704R2220	37	Chamber to chamber connection jumper
TL.0781	1SCA022704R2140	37	Chamber to chamber connection jumper

Contact us

ABB Oy

Low Voltage Products

P.O. Box 622

FI-65101 Vaasa, Finland

Phone: +358 10 22 11

Fax: +358 22 45708

E-Mail: firstname.surname@fi.abb.com

www.abb.com

The technical data and dimensions are valid at the time of printing.
We reserve the right to subsequent alterations.



X-ON Electronics

Largest Supplier of Electrical and Electronic Components

Click to view similar products for [abb](#) manufacturer:

Other Similar products are found below :

[TV10-516R](#) [017667013](#) [RF727](#) [2CMA100178R1000](#) [2CMA100163R1000](#) [5SDD 92Z0401](#) [ESV14-BS](#) [EVS-21-250](#) [F204AC-40/0.03](#) [F362-25/0.03](#) [GJL1211201R8000](#) [GJL1211501R8000](#) [GJL1213001R0017](#) [GJL1213001R0101](#) [GJL1311001R0011](#) [GJL1311001R0101](#) [GJL1311001R8010](#) [GJL1311201R0001](#) [GJL1313001R0011](#) [GJL1313001R0101](#) [GJL1317201R0001](#) [A40-30-10-84](#) [AF09-30-01-11](#) [AF460-30-11-68](#) [1455](#) [B14-250](#) [EF45-30](#) [ERG297](#) [HSC2-20](#) [1SAM201904R1001](#) [1SAM350000R1003](#) [1SAZ721201R1009](#) [1SAZ721201R1014](#) [1SAZ721201R1025](#) [1SBL157001R1310](#) [1SBL277001R1300](#) [1SBL277001R4100](#) [1SBL367001R1300](#) [1SBL387001R4100](#) [1SBN010110R1001](#) [1SBN010110R1010](#) [1SBN010140R1022](#) [1SBN010140R1122](#) [1SDA057197R1](#) [1SFA611101R1002](#) [1SFA611130R1103](#) [1SFA611131R1101](#) [1SFA611143R1101](#) [1SFA611202R1108](#) [1SFA611203R1108](#)