



Low Voltage Products

Switches

Rotary cam switches

Enclosed cam switches



10...315 Amperes rotary cam





Rotary cam switches

OM, ON and OL



Contents:

Rotary cam switches

| | |
|---|---------|
| General | 4 - 5 |
| Standard cam switches range | 6 - 7 |
| Accessories for standard cam switches | 8 - 9 |
| Special cam switches | 10 - 11 |
| Solutions | 12 - 15 |
| Technical data | 16 - 17 |
| Ordering details | |
| ON-OFF switches | 18 - 19 |
| Change-over switches | 20 - 22 |
| Bypass switches | 23 |
| Multistep switches | 24 - 27 |
| Motor control switches | 28 - 29 |
| Ventilation switches | 28 |
| Reversing switches | 28 |
| Star-delta switches | 28 |
| Pole-change switches | 28 |
| Pumpstart switches | 29 |
| Stop switches | 29 |
| Start switches | 29 |
| Voltmeter switches | 30 |
| Ammeter switches | 31 |
| Volt-ammeter switches | 31 |
| Binarycode switches | 32 |
| Accessories | 33 - 38 |
| Dimension drawings | 39 - 57 |
| Front plates | 39 |
| OM, ON, door mounted | 40 |
| ON_M, ON, base mounted | 41 |
| OL40 | 41 - 43 |
| Door mounted | 41 - 42 |
| Base mounted | 43 |
| OL63, OL80N, door/base mounted | 44 |
| OL125, OL160 | 45 - 46 |
| Door mounted | 45 |
| Base mounted | 46 |
| OL200, door/base mounted | 47 |
| Handles | 48 - 54 |
| For OM | 48 |
| For ON and OL40 - 80N | 48 - 50 |
| Padlockable handles | 49 - 52 |
| Key interlocked handles | 53 |
| Push button interlocked handle | 54 |
| Pistol and double lever handles | 54 |
| Door clutch | 55 |
| Double gang drive | 56 |
| Triple gang drive | 57 |
| Enclosed rotary cam switches and enclosures | |
| Contents | 59 |
| Index | 64-67 |

ROTARY CAM SWITCHES

Range OM, ON, OL

10, 25, 40, 63, 80, 125, 160, 200 and 315 (IEC) Amperes

ABB's new OM, ON and OL rotary cam switches offer a complete range of cam switches for control, instrumentation and motor starting applications, maximizing the benefits and optimizing your use of assets. The standard cam switches provide you with a variety of functionalities for the most common mounting types and applications with minimum footprint area.

A focused standard range covering most applications

ON-OFF switches
Change-over switches
Multi-step switches

Volt-ammeter switches
Ammeter switches
Voltmeter switches

Bypass switches
Closed transition switches
UPS switches

Reversing switches
Pump-start switches
Stop-start switches
Ventilation switches

Binarycode switches

Standards

IEC/EN 60 947-1, -3
VDE 0660 Teil 107
UL508
CSA C 22.2.x No 14

Approvals

L'loyd's Register of Shipping
CCC
UL508
CSA C 22.2.x No 14



▶ Captive plus-minus screws save installation time and the integrated screwdriver guides make the use of motorized screwdrivers easy and stable.

Quick and easy to install

Captive plus-minus screws save installation time and the integrated screwdriver guides (available in sizes up to 160 Amps) make the use of motorized screwdrivers easy and stable. Lug terminals for connecting cable clamps and crimp lugs are available for the sizes from 125 Amps.

The double cam system shortens the multistep switch and enables the use of shallow enclosures. The sizes up to 40 Amps, including a black handle on a silver front plate, are suitable for snap on door mounting while the sizes from 63 to 200 Amps contain screw-mounted handles for door mounting.

▶ Self lifting terminal screws for fast cabling



◀ Complete delivery includes handle and front plate. Snap-on mounting of contact block with interlocking in sizes OM, ON and OL 40. Protected interconnections.

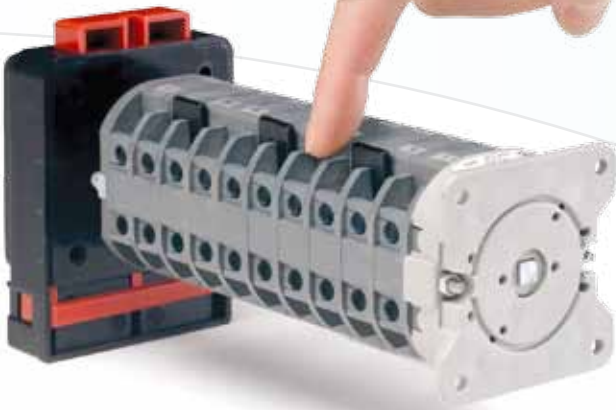
Camweb for special cam switches

Easy to specify and to order

The user-friendly Camweb configuration tool is very simple to use: it provides a new approach to ordering with easy specifications and a minimized total delivery time. The tool guides the user in order to avoid incompatible/impossible solutions, eliminating mistakes and automatically generating the type and the ordering code. The optional paste and order tool generates the price for immediate ordering. The order handling of the special cam switch is as smooth as for the standard products - the same information goes transparent and unchanged throughout the process.

What can be specified by Camweb?

Distinctive needs, such as front plate engraving, padlocking in various positions, key operation, key interlocking, auxiliary contacts for low ratings and special timings can be specified with the configuration tool. It is also possible to build switches with different chamber sizes in the same switch. Double and triple gang switches, as well as long cam switches with metallic shaft, can be specified with up to 60 contacts and 12 positions.



▲ Finger-proof tunnel terminals eliminate the risk of touching live parts without adding any protective covers.

▼ Versatile selection of high protection degree handles.

High protection class

Finger-proof tunnel terminals (IP20) up to the size 160 A eliminate the risk of touching live parts without adding any protective covers. This ensures safe operation, protecting people and equipment. Versatile selection of high protection degree handles. The standard handle is IP65 and NEMA 4X protected. The handles with increased protection up to IP67 and IP69K available.

High performance contacts

The switches provide reliable isolation and stable contact positions with or without overlapping contacts. The well-enclosed contact chamber construction and special design of the OM's contact tip with high contact pressure ensure increased contact reliability and a long life span. Due to the contact design, the switches are also suitable for very low voltages (5 V) and currents (5mA). Gold-plated contacts are available on request.

The switches are designed for resistive and slightly inductive motor loads having a high switching reliability in distinctive environments, providing you with added value. Breaking capacity tests performed, cover AC23 as well as DC categories.

Special cam switches for distinctive requirements

Special cam switches can be configured on the Internet by the Camweb configurator. The specification and ordering of special cam switches is as easy as selecting standard products!



The Camweb configuration tool can be found on the ABB Internet site or directly from the address: switchselector.com

Standard

CAM SWITCHES RANGE



▲ OM

▲ ON

Black handle and silver front plate with standard text are included.

Cam switch size
I_{th} / IEC 60947 [A]
UL 508 [A]

Positions

ON-OFF switches

Rotating angle 90, 0-position: 9 o'clock

Black handle 1 - 0
Key operated 1 - 0

Rotating angle 90, 0-position: 12 o'clock

Black handle 1 - 0
Key operated 1 - 0

Change-over switches

Rotating angle 60 - 0 - 60, with 0-position

Black handle 1 - 0 - 2
Key operated 1 - 0 - 2
Key operated, with two sided spring return 1_r - 0 - 2_r

Rotating angle 60 - 60, without 0-position

With overlapping contacts 1 - 2
With common center position and with overlapping contacts 1 - 1+ 2 - 2

Bypass switches

Without overlapping, for 3 and 4-pole net 1 - 0 - Bypass
With overlapping, for 3 and 4-pole net 1 - Bypass

Multistep switches

With 0-position

2 - step switches 0-1-2
3 - step switches 0-1-2-3
4 - step switches 0-1-2-3-4
5 - step switches 0-1-2-3-4-5
6 - step switches 0-1-2-3-4-5-6
7, 8, 9, 10 and 11 - step switches 0-1-2-3-4-5-6-7-8...-11

Without 0-position

3 - step switches 1-2-3
4 - step switches 1-2-3-4
5 - step switches 1-2-3-4-5
6 - step switches 1-2-3-4-5-6
7, 8, 9, 10, 11 and 12 - step switches 1-2-3-4-5-6-7-8...-12

Motor control switches

Ventilation switches A - 0 - 1/2 - 1/1
Reversing switches 1 - 0 - 2
Star-delta switches 0 - Y - Δ
Pole-change switches (Dahlander) 0 - A - AYY
Pumpstart switches 0 - 1
Stop switches 0_r - Stop
Start switches Stop - Start
0_r - Start
0⁻1_r - Start
Start - 1_r - 0 - 2_r - Start

Voltmeter switches

4 positions, 3 phase - 3 wire, with 0-position 0, L1-L2, L2-L3, L3-L1
3 positions, 3 phase - 3 wire, without 0-position L1-L2, L2-L3, L3-L1
6 positions, 3 phase to phase, 3 phase to neutral, without 0-position L1-L3, L2-L3, L1-L2, L1-N, L2-N, L3-N
7 positions, 3 phase to phase, 3 phase to neutral, with 0-position L1-L3, L2-L3, L1-L2, 0, L1-N, L2-N, L3-N
7 positions, 3 phase to phase voltages for 2 circuits, with 0-position L1-L3, L2-L3, L1-L2, 0, L1-L3, L2-L3, L1-L2

Ammeter switches

For 3 current transformer circuits, with 0-position 0 - 1 - 2 - 3

Volt-ammeter switches

3 phases and 3 current transformers with common pole OFF - 1 - 2 - 3

Binarycode switches

0-1-2-3-4-5-6-7...-9...-11



▲ OL40



▲ OL63-80



▲ OL125-160



▲ OL200



▲ ON_M

Door mounted

DIN rail mounted

| OM | ON | OL40 | OL63 | OL80N | OL125 | OL160 | OL200 | ON_M |
|------------------------------|---------------|--------------------------|------|---------------------------|-------|---------|-------|---------------------|
| 10 | 25 | 45 | 63 | 80 | 150 | 175 | 315 | 25 |
| 10 | 25 | 40 | - | - | 125 | 160 | 200 | 25 |
| 1, 2, 3, 4, 5, 6 and 8- pole | | - | | 1, 2, 3, 4, 6 and 8- pole | | - | | 1, 2, 3 and 6- pole |
| 1, 2 and 3- pole | | - | | - | | - | | - |
| 1, 2, 3, 4, 5 and 6- pole | | - | | - | | - | | 1, 2, 3 and 6- pole |
| 1, 2 and 3- pole | | - | | - | | - | | - |
| 1, 2, 3 and 4- pole | | - | | 1, 2, 3 and 4- pole | | - | | 1, 2, 3 and 4- pole |
| 1 and 3- pole | | - | | - | | - | | - |
| 1 and 3- pole | | 1, 2 and 3- pole | | - | | - | | 1- pole |
| 1, 2, 3 and 4- pole | | 1, 2, 3 and 4- pole | | 1, 2, 3 and 4- pole | | - | | 1, 2, 3 and 4- pole |
| 1, 2, 3 and 4- pole | | 1, 2, 3 and 4- pole | | 1, 2, 3 and 4- pole | | - | | - |
| - | | 3 and 4- pole | | 3 and 4- pole | | - | | - |
| - | | 3 / 6- pole, 4 / 8- pole | | 3 / 6- pole, 4 / 8- pole | | - | | - |
| - | | 3 / 6- pole, 4 / 8- pole | | 3 / 6- pole, 4 / 8- pole | | - | | - |
| 1, 2, 3 and 4- pole | | - | | - | | - | | 1- pole |
| 1, 2, 3 and 4- pole | | 1- pole | | 1- pole | | - | | 1- pole |
| 1, 2 and 3- pole | | - | | - | | - | | - |
| 1 and 2- pole | | - | | - | | - | | - |
| - | | 1, 2 and 3- pole | | - | | - | | - |
| - | | 1- pole | | - | | - | | - |
| 1, 2, 3 and 4- pole | | - | | - | | - | | 1- pole |
| 1, 2 and 3- pole | | - | | - | | - | | - |
| 1 and 2- pole | | - | | - | | - | | - |
| - | | 1, 2 and 3- pole | | - | | - | | - |
| - | | 1- pole | | - | | - | | - |
| 2- pole | | - | | - | | - | | 1- pole |
| - | | 2 and 3- pole | | 3- pole | | - | | - |
| - | | 3- pole | | - | | 3- pole | | - |
| - | | 3- pole | | - | | 3- pole | | - |
| 1- pole | | - | | - | | - | | 1- pole |
| 2- pole | | - | | - | | - | | - |
| - | | 1- pole | | - | | - | | - |
| 1- pole | | - | | - | | - | | - |
| 1- pole | | - | | - | | - | | 1- pole |
| - | | 1- pole | | - | | - | | 1- pole |
| 3- pole | | - | | - | | - | | 3- pole |
| 3- pole | | - | | - | | - | | 3- pole |
| 3- pole | | - | | - | | - | | 3- pole |
| 3- pole | | - | | - | | - | | 3- pole |
| 4- pole | | - | | - | | - | | - |
| 1- pole | 1 and 2- pole | - | | - | | - | | 1- pole |
| 3- pole | | - | | - | | - | | - |
| - | 1 and 2- pole | - | | - | | - | | - |

ACCESSORIES

for standard cam switches



▶ Type_P_ or _R_ ▶ Type_P_ or _R_



▶ Type_P_ or _R_ ▶ Type_P_ or _R_



▶ Type_R_



▶ Type_X_



▶ Type_OLZ8_



▶ Type_OLZ9_



▶ Type_P2_ or _P4_



▶ Type_ONZ20_ ▶ Type_OLZ20R_



▶ Type_OLZ20P_



▶ Type_Z331_B ▶ Type_Z331_RY



▶ OM

▶ ON

Handles

Snap on handle with front plate without engraving

Size 30x30, black, grey, red, red-yellow

Size 48x48, black, grey, red, red-yellow

Size 64x64, black, grey, red, red-yellow

Screw mounting handle with front plate without engraving

Size 64x64, black, grey, red, red-yellow

Size 90x90, black, grey, red, red-yellow

Size 130x130, black, grey, red, red-yellow

Snap-on handles with round escutcheon plate

Black

Black, nose-type

Low extended handle knob, black, grey

Screw mounting hand grip handle, black, grey, red

Screw mounting ball grip handle

Screw mounting pistol type handle, black, red

Screw mounting double lever handle, black, red

Padlockable handle knob, without front plate, black, red-yellow

Round padlockable handles for snap-on mounting, black, red-yellow

Round padlockable handles for snap-on mounting for increased protection

Round padlockable handles for snap-on mounting with door coupling

Round padlockable handles for screw mounting

Size 66x66, black, red-yellow

Size 90x90, black, red-yellow

Front plates

Front plate, without engraving

Size 30x30, silver, yellow

Size 48x48, silver, yellow

Size 64x64, silver, yellow

Size 90x90, silver, yellow

Size 130x130, silver, yellow

Size H=45mm, W=54mm, grey

Additional lettering plates with frame

Lettering plate without engraving

Size 30x30, black or grey frame

Size 48x48, black or grey frame

Size 64x64, black or grey frame

Lettering plate without engraving

Other accessories

Front ring

Shaft sealing

Spare key

Protective rear cover

Nut spanner tool

Adaptor ring

Base mounting kit

DIN-rail mounting plate

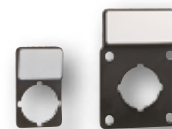
Door coupling kits

Chamber to chamber connection jumpers

Shaft/suitable size [mm]



▶ Front plates



▶ Additional lettering plate

Special CAM SWITCHES

To be specified by the Camweb
configuration tool
switchselector.com



▲ OM



▲ ON

Mounting

Door mounted

Snap-on mounted handle

Padlockable

Round, padlockable

Square, padlockable

Screw mounted handle

Round, padlockable

Square, padlockable

Round front ring

Key operated handle

Cylinder lock

Push button lock

Pistol type handle

Long pistol type handle

Base mounted

Direct handle

Snap-on mounted handle

Padlockable

Screw mounted handle

Door clutch

Type of contacts

Normal

Number of contacts

Double gang (Tandem)

Number of contacts

Triple gang

Number of contacts

Long shaft

Number of contacts

Connections

Standard box (tunnel) terminals

Fast on clips

Double fast on clips

Lug terminals

Other features

Spring return function

Metallic camshaft

Gold contacts

Enclosed cam switches

Non return rotation



SOLUTIONS



Standard handles

Cam switches up to the size OL40 are delivered with snap-on handles for 22.5 mm door drilling, while the larger handle sizes are screw mounted (4-hole mounting). The size OL200_ is delivered with pistol handle. Screw mounted handles, type _R_, are available for all sizes and they can be specified by the Camweb configurator. Protection degree IP65, NEMA4X.



Special handles for large switches

Grip and pistol type handles are available for ON_ and OL40...80 N cam switches. Pistol type and double lever handle is available for OL200. Protection degree is the same as for the front plate.



Padlockable handles

Padlockable handle knob, type **Z**, **ONZ20**, **OLZ20**

Optional handle for replacing the standard knob handle. Two padlocks with bail diameter of 6 mm or three padlocks with 4 mm bail diameter. Padlocking is possible every 90 degrees at 9, 12, 3 and 6 o'clock positions. Available for the sizes ON...OL40 (6 mm shaft diameter). Suitable for both snap-on and screw mounted handles. Protection degree IP65, NEMA4X.



Round padlockable handle, type **3**

The round padlockable handle can be padlocked at 9 o'clock or when the switch is turned 90 degrees at 12 o'clock. For maximum three padlocks with max. 8 mm bail diameter. Available for sizes ON...OL160 as a snap-on or screw mounted version. Protection degree IP65, IP67, IP69K and NEMA4X.



Padlockable pistol type handles, type **Z**, **Z20**

The pistol type handles offer a variety of padlocking possibilities supported by the Camweb configurator. For max. 3 padlocks with 6 mm bail diameter. Protection degree IP65 and Nema 4X.



Non return rotation mechanism, type **N** ↻

Allows only clockwise rotation. The additional mechanism increases the switch depth.

Interlocking solutions

Key operated cam switches, type **K**

Key switches are operated by the key, which functions as the operating handle. Special key codes can be selected in camweb. The standard key removal is possible at every 90 degrees 12, 3, 6 and 9 o'clock or every 60 degrees from 1 o'clock onwards by Camweb only. The delivery contains two keys. In non-standard switches the key removal positions and keynumber can be specified by the Camweb configurator. The key switch is available for the sizes OM...OL40, also enclosed switches. Protection degree IP54.



Key interlocked cam switches with cylinder interlock, type **Q**

The operation of the cam switch is interlocked with the cylinder lock below the switch. The interlocking is possible in one to four selected positions by the key. The possible interlocking positions are specified by the Camweb configurator. The delivery contains two keys. Available for the sizes ON...OL160. Protection degree IP65, NEMA 4X. Special key codes can be selected by camweb.



Push button interlock, type **U**

The push button releases the cam switch in one or several positions specified by the Camweb configurator. Auxiliary contacts are possible to operate with the push button.



Base mounted switches

Modular cam switches, type **_ M _**

Modular cam switches are available for up to 6 contacts according to the DIN-rail component standard. Clip-on mounting on DIN-rail. Protection degree IP20.



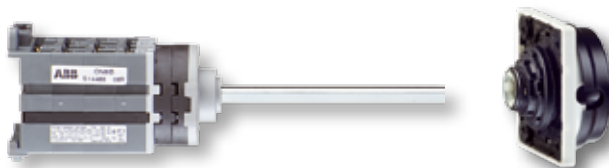
Base mounted cam switches, type **_ B _**

Base mounted cam switches are recommended to be specified for the desired shaft length or panel depth by the Camweb configurator. The shaft can be specified with the door clutch, which locks the door in the ON-position. Mounting kit type ONZ74 for door-mounted ON cam switches can be ordered as optional extra with shaft length 200 mm and DIN rail

Base mounted cam switches, type **_ I _** with direct mounted handles are available as special cam switches. The standard or padlockable handle is fixed on the cam switch.



◀ Base mounted cam switch with direct handle, type **_ I _**.



▲ Base mounted cam switch with round padlockable handle on the door, type **_ B _**, ONZ331SP.



▲ Base mounted cam switch and door clutch, type **_ C _**, ONZ371P.

Cam switches with high number of contacts

Double and triple gang switches, types **_ 2S _** or **_ 3S _**

Double and triple gang switches (2 x 20 or 3 x 20 contacts) are specified by the Camweb configurator for door and base mounting with the handle size from 64 mm. Grip handle, type H, as standard. Padlocking with square padlockable handles available too. Screw mounting.



Metallic shaft, type **_ T _**

ON cam switches are available with metallic shafts allowing max. 60 contacts to be assembled in one long cam switch. Specification by the Camweb configurator.

Spring return

The spring return movement is always 30 degrees. The next step of the static position of spring return needs to be 90 degrees if not symmetrical design.



Round front ring

The round front ring replaces the square escutcheon plate. The assembly do not include position indications. The round front ring is available as standard switch and as special switch configured by the Camweb. Type **_ X _**.



Terminations

Quick connects, types **_ F _ or **_ D _****

Cam switches are available with quick connects 6.3 x 0.8 or double FASTON-quick connects 2 x 3.15. Specification by the Camweb configurator.



Lug terminals, type **_ L _**

The OL125...160 cam switches are normally provided with protected box type termination. Lug terminals for cable lugs are specified by the Camweb configurator.



Gold contacts, type **_ G _**

The OM and ON switches can be supplied with gold contacts. Specification recommended by the Camweb configurator. See technical data.

Auxiliary contacts

The door mounted cam switches from 40 A up to 160 A can be provided with space saving auxiliary contacts.





Rotary cam switches

Technical data

Ratings according to IEC60947-3

| | | Size | OM | ON | OL40 | OL63 | OL80N | OL125 | OL160 | OL200 |
|--|-------------------------|------|-----------------|-----------------|------|------|-------|-------|-------|-------|
| Impuls withstand voltage | U_{imp} | kV | 2.5 | 4 | 6 | 6 | 6 | 6 | 6 | 6 |
| Rated insulation voltage | | V | 500 | 690 | 690 | 690 | 690 | 690 | 690 | 690 |
| Rated operational voltage | U_e | V | 250 | 400 | 690 | 690 | 690 | 690 | 690 | 690 |
| Rated thermal current | I_{th} | A | 10 | 25 | 45 | 63 | 80 | 150 | 175 | 315 |
| Rated conditional short circuit current | I_p (r.m.s.) | kA | 1 ¹⁾ | 7 ¹⁾ | 10 | 10 | 10 | 10 | 10 | 10 |
| Max back-up fuse link | | A | 10 | 25 | 40 | 63 | 80 | 160 | 200 | 315 |
| Rated short time withstand current (r.m.s) | 3s | A | | 100 | 360 | 630 | 800 | 1280 | 1280 | 1600 |
| | 10s | A | | 60 | 200 | 300 | 400 | 700 | 700 | 1000 |
| | 30s | A | | 32 | 120 | 200 | 250 | 400 | 400 | 600 |
| | 60s | A | | 30 | 80 | 100 | 150 | 280 | 280 | 400 |
| Rated operational current | I_e | A | 10 | 25 | 45 | 63 | 80 | 150 | 160 | 250 |
| | AC1 400V | A | 10 | 25 | 45 | 63 | 80 | 150 | 170 | 250 |
| | AC21 400V | A | 10 | 25 | 45 | 63 | 80 | 150 | 170 | 250 |
| | AC11 220-240V | A | 2.5 | 5.5 | 14 | 15 | 20 | 45 | 45 | 80 |
| | 380-440V | A | - | 3.5 | 6.0 | 10 | 15 | 45 | 45 | 80 |
| | 500V | A | - | 4.5 | 7.0 | 12 | 18 | 40 | 40 | 70 |
| | AC22 220-500V | A | 10 | 20 | 40 | 63 | 80 | 150 | 170 | 250 |
| | 660-690V | A | - | 20 | 40 | 63 | 80 | 100 | 100 | 125 |
| Rated operational current | Time constant 0...1ms | | | | | | | | | |
| 1-contact in series | DC21 24V | A | 10 | 20 | 40 | 63 | 80 | 130 | 150 | 250 |
| 1-contact in series | 48V | A | 10 | 20 | 40 | 63 | 80 | 130 | 150 | 250 |
| 2-contact in series | 60V | A | 10 | 20 | 40 | 63 | 80 | 130 | 150 | 250 |
| 3-contact in series | 110V | A | 10 | 20 | 40 | 63 | 80 | 130 | 150 | 250 |
| 5-contact in series | 220V | A | 10 | 20 | 40 | 63 | 80 | 130 | 150 | 250 |
| 9-contact in series | 440V | A | 10 | 20 | 40 | | | 130 | 150 | 250 |
| 10-contact in series | 600V | A | | 16 | 25 | | | | | |
| Rated operational current | Time constant 1...50 ms | | | | | | | | | |
| 1-contact in series | DC22 24V | A | 6 | 10 | 32 | 32 | 40 | 115 | 130 | 200 |
| 1-contact in series | 30V | A | 3 | 4.5 | 11 | 32 | 40 | 36 | 40 | 50 |
| 1-contact in series | 40V | A | 3 | 4.5 | 11 | 32 | 40 | 36 | 40 | 50 |
| 2-contact in series | 60V | A | 3 | 4.5 | 11 | 32 | 40 | 36 | 40 | 50 |
| 3-contact in series | 110V | A | 3 | 4.5 | 11 | 32 | 40 | 36 | 40 | 50 |
| 5-contact in series | 220V | A | 3 | 4.5 | 11 | 32 | 40 | 36 | 40 | 50 |
| Rated operational power | | | | | | | | | | |
| AC23 3 ph. | 220-240V | kW | 1.8 | 2.6 | 7.5 | 12 | 14.5 | 37 | 37 | 56 |
| | 380-440V | kW | 3 | 7.5 | 15 | 18 | 22.5 | 75 | 75 | 75 |
| | 500V | kW | - | 4.8 | 15 | 22 | 25 | 75 | 90 | 85 |
| | 660-690V | kW | - | 4.8 | 15 | 17 | 23 | 50 | 55 | 90 |
| AC23 1 ph. | 110V | kW | 0.37 | 0.5 | 2.5 | 3 | 3.6 | 9 | 11 | 14 |
| | 220-240V | kW | 0.75 | 0.9 | 4 | 6 | 7.2 | 20 | 22 | 30 |
| | 400V | kW | 1.1 | 1.5 | 7.5 | 9 | 12.5 | 35 | 37 | 45 |
| Rated operational power | | | | | | | | | | |
| AC2 3 ph. | 220-240V | kW | 2.5 | 3.5 | 11 | 16 | 18 | 35 | 37 | 70 |
| | 380-440V | kW | - | 6 | 18.5 | 24 | 30 | 50 | 55 | 95 |
| | 500V | kW | - | 6 | 18.5 | 24 | 33 | 65 | 75 | 103 |
| | 660-690V | kW | - | 6 | 18.5 | 26 | 35 | 65 | 55 | 110 |
| AC3 3 ph. | 220-240V | kW | 1.8 | 2.2 | 7.5 | 10 | 12 | 20 | 22 | 47 |
| | 380-440V | kW | 2.2 | 5.5 | 11 | 15 | 19 | 35 | 37 | 64 |
| | 500V | kW | - | 4 | 11 | 15 | 22 | 35 | 37 | 82 |
| | 660-690V | kW | - | 4 | 11 | 17 | 23 | 30 | 30 | 88 |

¹⁾ 400 V



Rotary cam switches

Technical data

Ratings according to IEC60947-3

| | | Size | OM | ON | OL40 | OL63 | OL80N | OL125 | OL160 | OL200 |
|-----------|----------|------|------|------|------|------|-------|-------|-------|-------|
| AC3 1 ph. | 110V | kW | 0.3 | 0.4 | 2.5 | 2.5 | 3 | 6 | 6 | 12 |
| | 220-240V | kW | 0.55 | 0.75 | 4.0 | 5 | 6 | 11 | 11 | 24 |
| | 400V | kW | 0.75 | 1.3 | 5.5 | 7.5 | 9 | 19 | 19 | 40 |

Terminals

| | Size | OM | ON | OL40 | OL63 | OL80N | OL125 | OL160 | OL200 |
|---|-----------------|-----|-------|------|------|-------|--------|--------|-----------|
| Connecting screws | M | 2.5 | 3.5 | 5 | 5 | 5 | 5 | 5 | 10 |
| Max cable cross section, solid/stranded | mm ² | 1.5 | 4 | 6 | 16 | 16 | 70 | 70 | 150 |
| | AWG | 14 | 14-12 | 14-8 | 10-6 | 10-6 | 12-2/0 | 12-2/0 | kcmil 300 |

Contacts

| | Size | OM | ON | OL40 | OL63 | OL80N | OL125 | OL160 | OL200 |
|--|------|-----------|-----------|-----------|-----------|-----------|-----------|-----------|-----------|
| Minimum voltage AC/DC | V | 5 | 5 | 5 | 5 | 5 | 5 | 5 | 5 |
| Minimum current AC/DC | mA | 5 | 5 | 5 | 5 | 5 | 5 | 5 | 5 |
| Standard butt contact with plain contact tip | | | x | x | x | x | x | x | x |
| Butt contact with peak type contact tip | | x | | | | | | | |
| Gold contacts (special) | | x | x | x | x | | | | |
| Storing temperature | °C | -40...+80 | -40...+80 | -40...+80 | -40...+80 | -40...+80 | -40...+80 | -40...+80 | -40...+80 |
| Operational temperature ¹⁾ | °C | -30...+70 | -30...+70 | -30...+70 | -30...+70 | -30...+70 | -30...+70 | -30...+70 | -30...+70 |

¹⁾ At 40°C, derating 0%
 At 70°C, derating 30%
 Current peaks up to 60°C, derating 0%

Ratings according to UL and CSA

| | | Size | OM | ON | OL40 | OL63 | OL80* | OL125 | OL160 | OL200 | |
|-----------------------------------|--------------------------|-------------------|------|---------|---------|------|---------|----------|----------|----------|-----|
| Maximum operating voltage | | V | 300 | 600 | 600 | | 600 | 600 | 600 | 600 | |
| Pilot duty category | CSA/UL | VAC | A300 | A600 | A600 | | A600 | A600 | A600 | A600 | |
| Ampere rating | General use at 600VAC UL | UL 480V, CSA 600V | A | 25 | - | | - | - | - | - | |
| | | UL 600V | A | 16 | 40 | | 80 | 125 | 170 | 200 | |
| | | | A | 10 | 25 | 40 | | 80 | 125 | 170 | 200 |
| Rated power | 3-phase | 120V | HP | 1 | 1 | 5 | | 8 | 15 | 15 | 32 |
| | | 240V | HP | 1 | 2 | 10 | | 16 | 40 | 40 | 64 |
| | | 480V | HP | - | 5 | 20 | | 28 | 40 | 50 | 120 |
| | 1-phase | 600V | HP | - | 5 | 20 | | 31 | 40 | 50 | 120 |
| | | 120V | HP | 0.33 | 1 | 2 | | 4 | 10 | 10 | - |
| | | 240V | HP | 1 | 1 | 3 | | 8 | 20 | 20 | - |
| | 480V | HP | - | 2 | 10 | | - | - | - | - | |
| | 600V | HP | - | 3 | 10 | | - | - | - | 10 | |
| Short circuit ratings | | | | | | | | | | | |
| Maximum prospective fault current | | kA | 1 | 10 | 10 | | 10 | 10 | 10 | 10 | |
| Maximum fuse size | | A | 16 | 35(RK5) | 50(RK3) | | 80(RK5) | 150(RK5) | 200(RK5) | 250(RK5) | |
| Switching frequency | | cycles/hour | 150 | 150 | 150 | | 150 | 150 | 150 | 150 | |

¹⁾ The ratings for the older type OL80, see ON1GB 07_03 catalogue

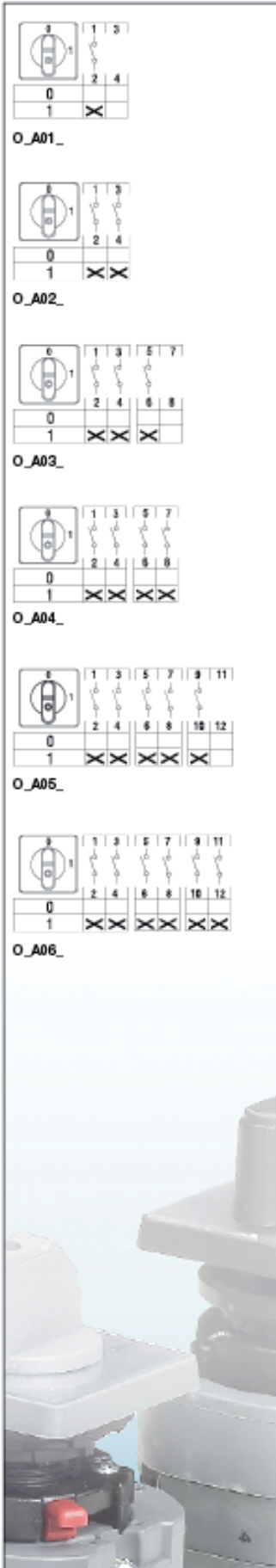
ON - OFF switches

Black handle and front plate with position indication are included.
The type and the ordering number are for one piece.

| Function | Number of poles | Rated thermal current I_{th} [A] | Type | Order number | Delivery batch [pcs] | Weight/unit [kg] |
|--|-----------------|------------------------------------|-----------|-----------------|----------------------|------------------|
| O-position: 9 o'clock, step angle 90° | | | | | | |
| Door mounted, snap-on mounted handle | | | | | | |
| 0 - 1 | 1 | 10 | OMA1PB | 1SCA022531R3950 | 10 | 0.04 |
| | 2 | 10 | OMA2PB | 1SCA022531R4090 | 10 | 0.04 |
| | 3 | 10 | OMA3PB | 1SCA022531R4170 | 10 | 0.05 |
| | 4 | 10 | OMA4PB | 1SCA022531R4330 | 10 | 0.05 |
| | 5 | 10 | OMA5PB | 1SCA022531R4410 | 10 | 0.06 |
| | 6 | 10 | OMA6PB | 1SCA022531R4500 | 10 | 0.06 |
| 0 - 1 | 1 | 25 | ONA1PB | 1SCA022531R4920 | 10 | 0.08 |
| | 2 | 25 | ONA2PB | 1SCA022531R5060 | 10 | 0.09 |
| | 3 | 25 | ONA3PB | 1SCA022531R5140 | 10 | 0.10 |
| | 4 | 25 | ONA4PB | 1SCA022531R5220 | 10 | 0.11 |
| | 5 | 25 | ONA5PB | 1SCA022531R5310 | 10 | 0.12 |
| | 6 | 25 | ONA6PB | 1SCA022531R5490 | 10 | 0.12 |
| | 8 | 25 | ONA8PB | 1SCA022684R5230 | 10 | |
| | 8 | 25 | ONA8PB | 1SCA022684R5230 | 10 | |
| 0 - 1 | 1 | 45 | OL40A1PB | 1SCA022755R7140 | 10 | 0.13 |
| | 2 | 45 | OL40A2PB | 1SCA022755R7220 | 10 | 0.17 |
| | 3 | 45 | OL40A3PB | 1SCA022755R7310 | 10 | 0.21 |
| | 4 ¹⁾ | 45 | OL40A4PB | 1SCA022755R7490 | 10 | 0.25 |
| | 6 | 45 | OL40A6PB | 1SCA022755R7650 | 10 | 0.33 |
| | 8 ²⁾ | 45 | OL40A8PB | 1SCA022755R7810 | 10 | 0.41 |
| | 8 | 45 | OL40A8PB | 1SCA022755R7810 | 10 | |
| | 8 | 45 | OL40A8PB | 1SCA022755R7810 | 10 | |
| Door mounted, screw mounted handle | | | | | | |
| 0 - 1 | 1 | 25 | ONA1RB | 1SCA100196R1001 | 10 | 0.08 |
| | 2 | 25 | ONA2RB | 1SCA100206R1001 | 10 | 0.09 |
| | 3 | 25 | ONA3RB | 1SCA100209R1001 | 10 | 0.10 |
| | 4 | 25 | ONA4RB | 1SCA100214R1001 | 10 | 0.11 |
| 0 - 1 | 1 | 40 | OL40A1RB | 1SCA100297R1001 | 10 | 0.13 |
| | 2 | 40 | OL40A2RB | 1SCA100298R1001 | 10 | 0.17 |
| | 3 | 40 | OL40A3RB | 1SCA100305R1001 | 10 | 0.21 |
| | 4 | 40 | OL40A4RB | 1SCA100306R1001 | 10 | 0.25 |
| 0 - 1 | 1 | 63 | OL63A1RB | 1SCA111537R1001 | 1 | 0.30 |
| | 2 | 63 | OL63A2RB | 1SCA111538R1001 | 1 | 0.34 |
| | 3 | 63 | OL63A3RB | 1SCA111539R1001 | 1 | 0.41 |
| | 4 | 63 | OL63A4RB | 1SCA111540R1001 | 1 | 0.45 |
| | 6 | 63 | OL63A6RB | 1SCA111541R1001 | 1 | 0.56 |
| | 8 | 63 | OL63A8RB | 1SCA111542R1001 | 1 | 0.67 |
| | 8 | 63 | OL63A8RB | 1SCA111542R1001 | 1 | |
| | 8 | 63 | OL63A8RB | 1SCA111542R1001 | 1 | |
| 0 - 1 | 1 | 80 | OL80NA1RB | 1SCA111624R1001 | 1 | 0.30 |
| | 2 | 80 | OL80NA2RB | 1SCA111625R1001 | 1 | 0.34 |
| | 3 | 80 | OL80NA3RB | 1SCA111626R1001 | 1 | 0.41 |
| | 4 | 80 | OL80NA4RB | 1SCA111627R1001 | 1 | 0.45 |
| | 6 | 80 | OL80NA6RB | 1SCA111628R1001 | 1 | 0.56 |
| | 8 | 80 | OL80NA8RB | 1SCA111629R1001 | 1 | 0.67 |
| | 8 | 80 | OL80NA8RB | 1SCA111629R1001 | 1 | |
| | 8 | 80 | OL80NA8RB | 1SCA111629R1001 | 1 | |
| 0 - 1 | 1 | 150 | OL125A1RB | 1SCA022790R1370 | 1 | 0.30 |
| | 2 | 150 | OL125A2RB | 1SCA022790R1450 | 1 | 0.34 |
| | 3 | 150 | OL125A3RB | 1SCA022790R1530 | 1 | 0.41 |
| | 4 | 150 | OL125A4RB | 1SCA022790R1610 | 1 | 0.45 |
| | 6 | 150 | OL125A6RB | 1SCA022790R1700 | 1 | 0.56 |
| | 8 | 150 | OL125A8RB | 1SCA022790R1880 | 1 | 0.67 |
| | 8 | 150 | OL125A8RB | 1SCA022790R1880 | 1 | |
| | 8 | 150 | OL125A8RB | 1SCA022790R1880 | 1 | |
| 0 - 1 | 1 | 175 | OL160A1RB | 1SCA022790R5010 | 1 | 0.13 |
| | 2 | 175 | OL160A2RB | 1SCA022790R5100 | 1 | 0.17 |
| | 3 | 175 | OL160A3RB | 1SCA022790R5280 | 1 | 0.21 |
| | 4 | 175 | OL160A4RB | 1SCA022790R5360 | 1 | 0.25 |
| | 6 | 175 | OL160A6RB | 1SCA022790R5440 | 1 | 0.33 |
| | 8 | 175 | OL160A8RB | 1SCA022790R5520 | 1 | 0.41 |
| | 8 | 175 | OL160A8RB | 1SCA022790R5520 | 1 | |
| | 8 | 175 | OL160A8RB | 1SCA022790R5520 | 1 | |
| 0 - 1 | 1 | 315 | OL200A1RB | 1SCA022790R5610 | 1 | 1.60 |
| | 2 | 315 | OL200A2RB | 1SCA022790R5790 | 1 | 2.00 |
| | 3 | 315 | OL200A3RB | 1SCA022790R5870 | 1 | 2.40 |
| | 4 | 315 | OL200A4RB | 1SCA022790R5950 | 1 | 3.10 |
| | 6 | 315 | OL200A6RB | 1SCA022790R6090 | 1 | 4.20 |
| | 8 | 315 | OL200A8RB | 1SCA022790R6170 | 1 | 5.30 |
| | 8 | 315 | OL200A8RB | 1SCA022790R6170 | 1 | |
| | 8 | 315 | OL200A8RB | 1SCA022790R6170 | 1 | |

¹⁾ 4th pole early make, late break in A4_ and A8_ types
²⁾ 7th and 8th pole early make, late break

Packing sizes for 10 pcs: OM 130 x 100 x 120 [mm]
ON, OL40 250 x 100 x 110 [mm]



ON - OFF switches

Black handle and front plate with position indication are included.
The type and the ordering number are for one piece.

| Function | Number of poles | Rated thermal current I_{th} [A] | Type | Order number | Delivery batch [pcs] | Weight/unit [kg] |
|----------|-----------------|------------------------------------|------|--------------|----------------------|------------------|
|----------|-----------------|------------------------------------|------|--------------|----------------------|------------------|

O-position: 9 o'clock, step angle 90°

See the O_A1_ - A6_ function charts on the previous page

Door mounted, round front ring

| | | | | | | |
|-------|---|----|--------|-----------------|----|------|
| 0 - 1 | 1 | 25 | ONA1XB | 1SCA022708R3920 | 10 | 0.08 |
| | 2 | 25 | ONA2XB | 1SCA022708R5540 | 10 | 0.09 |
| | 3 | 25 | ONA3XB | 1SCA022708R5620 | 10 | 0.10 |
| | 4 | 25 | ONA4XB | 1SCA022708R5710 | 10 | 0.11 |

Door mounted, key operated, withdrawable in both positions

| | | | | | | |
|-------|---|----|--------|-----------------|----|------|
| 0 - 1 | 1 | 10 | OMA1KB | 1SCA022531R4760 | 10 | 0.06 |
| | 3 | 10 | OMA3KB | 1SCA022531R4840 | 10 | 0.07 |
| 0 - 1 | 1 | 25 | ONA1KB | 1SCA022531R5570 | 10 | 0.11 |
| | 3 | 25 | ONA3KB | 1SCA022531R5650 | 10 | 0.13 |

Door mounted, key operated, round front ring

| | | | | | | |
|-------|---|----|---------|-----------------|----|------|
| 0 - 1 | 1 | 25 | ONA1KXB | 1SCA022708R7830 | 10 | 0.11 |
| | 2 | 25 | ONA2KXB | 1SCA100325R1001 | 10 | 0.12 |
| | 3 | 25 | ONA3KXB | 1SCA022708R7910 | 10 | 0.13 |

DIN-rail mounted

| | | | | | | |
|-------|---|----|-------|-----------------|----|------|
| 0 - 1 | 1 | 25 | ONA1M | 1SCA022531R6030 | 10 | 0.09 |
| | 2 | 25 | ONA2M | 1SCA022531R6110 | 10 | 0.10 |
| | 3 | 25 | ONA3M | 1SCA022531R6200 | 10 | 0.11 |
| | 6 | 25 | ONA6M | 1SCA022545R3020 | 10 | 0.12 |

O-position: 12 o'clock, step angle 90°

Door mounted, snap-on mounted handle

| | | | | | | |
|-------|-----------------|----|---------|-----------------|----|------|
| 0 - 1 | 1 | 10 | OMA01PB | 1SCA022570R6680 | 10 | 0.04 |
| | 2 | 10 | OMA02PB | 1SCA022570R6760 | 10 | 0.04 |
| | 3 | 10 | OMA03PB | 1SCA022570R6840 | 10 | 0.05 |
| | 4 | 10 | OMA04PB | 1SCA022570R6920 | 10 | 0.05 |
| | 5 | 10 | OMA05PB | 1SCA022570R7060 | 10 | 0.06 |
| | 6 | 10 | OMA06PB | 1SCA022570R7140 | 10 | 0.06 |
| 0 - 1 | 1 | 25 | ONA01PB | 1SCA022570R7220 | 10 | 0.08 |
| | 2 | 25 | ONA02PB | 1SCA022570R7310 | 10 | 0.09 |
| | 3 | 25 | ONA03PB | 1SCA022570R7490 | 10 | |
| | 4 ¹⁾ | 25 | ONA04PB | 1SCA022570R7570 | 10 | 0.11 |
| | 5 | 25 | ONA05PB | 1SCA022570R7650 | 10 | 0.12 |
| | 6 | 25 | ONA06PB | 1SCA022570R7730 | 10 | 0.12 |

Door mounted, key operated, withdrawable in both positions

| | | | | | | |
|-------|---|----|---------|-----------------|----|------|
| 0 - 1 | 1 | 10 | OMA01KB | 1SCA022570R7810 | 10 | 0.06 |
| | 3 | 10 | OMA03KB | 1SCA022570R7900 | 10 | 0.07 |
| 0 - 1 | 1 | 25 | ONA01KB | 1SCA022570R8030 | 10 | 0.11 |
| | 3 | 25 | ONA03KB | 1SCA022570R8110 | 10 | 0.13 |

DIN-rail mounted

| | | | | | | |
|-------|---|----|--------|-----------------|----|------|
| 0 - 1 | 1 | 25 | ONA01M | 1SCA022572R5630 | 10 | 0.09 |
| | 2 | 25 | ONA02M | 1SCA022572R5710 | 10 | 0.10 |
| | 3 | 25 | ONA03M | 1SCA022572R5800 | 10 | 0.11 |
| | 6 | 25 | ONA06M | 1SCA022572R5980 | 10 | 0.12 |

Packing sizes for 10 pcs: OM 130 x 100 x 120 [mm]
ON, OL40 250 x 100 x 110 [mm]

¹⁾ 4th pole with early make, late break
AO_types with simultaneous contacts

Change-over switches

Black handle and front plate with position indication are included.
The type and the ordering number are for one piece.

| Function | Number of poles | Rated thermal current I_{th} [A] | Type | Order number | Delivery batch [pcs] | Weight/unit [kg] |
|----------|-----------------|------------------------------------|------|--------------|----------------------|------------------|
|----------|-----------------|------------------------------------|------|--------------|----------------------|------------------|

With 0-position, step angle 60°

Door mounted, snap-on mounted handle

| | | | | | | |
|-----------|---|----|----------|-----------------|----|------|
| 1 - 0 - 2 | 1 | 10 | OMU1PB | 1SCA022532R5960 | 10 | 0.09 |
| | 2 | 10 | OMU2PB | 1SCA022532R6000 | 10 | 0.11 |
| | 3 | 10 | OMU3PB | 1SCA022532R6180 | 10 | 0.13 |
| | 4 | 10 | OMU4PB | 1SCA022532R6260 | 10 | 0.14 |
| 1 - 0 - 2 | 1 | 25 | ONU1PB | 1SCA022532R7310 | 10 | 0.09 |
| | 2 | 25 | ONU2PB | 1SCA022532R7400 | 10 | 0.11 |
| | 3 | 25 | ONU3PB | 1SCA022532R7580 | 10 | 0.13 |
| | 4 | 25 | ONU4PB | 1SCA022532R7660 | 10 | 0.14 |
| 1 - 0 - 2 | 1 | 45 | OL40U1PB | 1SCA022761R0990 | 10 | 0.17 |
| | 2 | 45 | OL40U2PB | 1SCA022761R1020 | 10 | 0.25 |
| | 3 | 45 | OL40U3PB | 1SCA022761R1110 | 10 | 0.33 |
| | 4 | 45 | OL40U4PB | 1SCA022761R1290 | 10 | 0.41 |

Door mounted, screw mounted handle

| | | | | | | |
|-----------|---|-----|-----------|-----------------|----|------|
| 1 - 0 - 2 | 1 | 25 | ONU1RB | 1SCA100216R1001 | 10 | 0.09 |
| | 2 | 25 | ONU2RB | 1SCA100219R1001 | 10 | 0.11 |
| | 3 | 25 | ONU3RB | 1SCA100220R1001 | 10 | 0.13 |
| | 4 | 25 | ONU4RB | 1SCA100222R1001 | 10 | 0.14 |
| 1 - 0 - 2 | 1 | 40 | OL40U1RB | 1SCA100307R1001 | 10 | 0.17 |
| | 2 | 40 | OL40U2RB | 1SCA100308R1001 | 10 | 0.25 |
| | 3 | 40 | OL40U3RB | 1SCA100309R1001 | 10 | 0.33 |
| | 4 | 40 | OL40U4RB | 1SCA100311R1001 | 10 | 0.41 |
| 1 - 0 - 2 | 1 | 63 | OL63U1RB | 1SCA110936R1001 | 1 | 0.34 |
| | 2 | 63 | OL63U2RB | 1SCA110937R1001 | 1 | 0.45 |
| | 3 | 63 | OL63U3RB | 1SCA111543R1001 | 1 | 0.56 |
| | 4 | 63 | OL63U4RB | 1SCA111544R1001 | 1 | 0.67 |
| 1 - 0 - 2 | 1 | 80 | OL80NU1RB | 1SCA111643R1001 | 1 | 0.34 |
| | 2 | 80 | OL80NU2RB | 1SCA111630R1001 | 1 | 0.45 |
| | 3 | 80 | OL80NU3RB | 1SCA111631R1001 | 1 | 0.56 |
| | 4 | 80 | OL80NU4RB | 1SCA111632R1001 | 1 | 0.67 |
| 1 - 0 - 2 | 1 | 150 | OL125U1RB | 1SCA022790R1960 | 1 | 0.34 |
| | 2 | 150 | OL125U2RB | 1SCA022790R2000 | 1 | 0.45 |
| | 3 | 150 | OL125U3RB | 1SCA022790R2180 | 1 | 0.56 |
| | 4 | 150 | OL125U4RB | 1SCA022790R2260 | 1 | 0.67 |
| 1 - 0 - 2 | 1 | 175 | OL160U1RB | 1SCA022790R6840 | 1 | 0.34 |
| | 2 | 175 | OL160U2RB | 1SCA022790R6920 | 1 | 0.45 |
| | 3 | 175 | OL160U3RB | 1SCA022790R7060 | 1 | 0.56 |
| | 4 | 175 | OL160U4RB | 1SCA022790R7140 | 1 | 0.67 |
| 1 - 0 - 2 | 1 | 315 | OL200U1RB | 1SCA022790R7220 | 1 | 2.00 |
| | 2 | 315 | OL200U2RB | 1SCA022790R7310 | 1 | 3.10 |
| | 3 | 315 | OL200U3RB | 1SCA022790R7490 | 1 | 4.20 |
| | 4 | 315 | OL200U4RB | 1SCA022790R7570 | 1 | 5.30 |

Door mounted, round front ring

| | | | | | | |
|-----------|---|----|--------|-----------------|----|------|
| 1 - 0 - 2 | 1 | 25 | ONU1XB | 1SCA022708R9370 | 10 | 0.09 |
| | 2 | 25 | ONU2XB | 1SCA022708R9450 | 10 | 0.11 |
| | 3 | 25 | ONU3XB | 1SCA022708R9530 | 10 | 0.13 |
| | 4 | 25 | ONU4XB | 1SCA022708R9610 | 10 | 0.14 |

Door mounted, key operated, withdrawable in all positions

| | | | | | | |
|-----------|---|----|--------|-----------------|----|------|
| 1 - 0 - 2 | 1 | 10 | OMU1KB | 1SCA022532R6340 | 10 | 0.07 |
| | 3 | 10 | OMU3KB | 1SCA022532R6420 | 10 | 0.08 |
| 1 - 0 - 2 | 1 | 25 | ONU1KB | 1SCA022532R7740 | 10 | 0.12 |
| | 3 | 25 | ONU3KB | 1SCA022532R7820 | 10 | 0.13 |

DIN-rail mounted

| | | | | | | |
|-----------|---|----|-------|-----------------|----|------|
| 1 - 0 - 2 | 1 | 25 | ONU1M | 1SCA022532R8210 | 10 | 0.09 |
| | 2 | 25 | ONU2M | 1SCA022532R8390 | 10 | 0.11 |
| | 3 | 25 | ONU3M | 1SCA022532R8470 | 10 | 0.13 |
| | 4 | 25 | ONU4M | 1SCA022534R2710 | 10 | 0.14 |

Packing sizes for 10 pcs: OM 130 x 100 x 120 [mm]
ON, OL40 250 x 100 x 110 [mm]

Change-over switches

Black handle and front plate with position indication are included.
The type and the ordering number are for one piece.

| Function | Number of poles | Rated thermal current I_{th} [A] | Type | Order number | Delivery batch [pcs] | Weight/unit [kg] |
|----------|-----------------|------------------------------------|------|--------------|----------------------|------------------|
|----------|-----------------|------------------------------------|------|--------------|----------------------|------------------|

With 0-position, with two sided spring return, step angle 60°

Door mounted, snap-on mounted handle

| | | | | | | |
|-------------------------------------|---|----|------------|-----------------|----|------|
| 1 _R - 0 - 2 _R | 1 | 10 | OMURR1PB | 1SCA022532R6510 | 10 | 0.05 |
| | 3 | 10 | OMURR3PB | 1SCA022532R6690 | 10 | 0.06 |
| 1 _R - 0 - 2 _R | 1 | 25 | ONURR1PB | 1SCA022532R7910 | 10 | 0.09 |
| | 2 | 25 | ONURR2PB | 1SCA022558R4040 | 10 | 0.11 |
| | 3 | 25 | ONURR3PB | 1SCA022532R8040 | 10 | 0.12 |
| 1 _R - 0 - 2 _R | 1 | 45 | OL40URR1PB | 1SCA022761R1370 | 10 | 0.17 |
| | 2 | 45 | OL40URR2PB | 1SCA022761R1450 | 10 | 0.25 |
| | 3 | 45 | OL40URR3PB | 1SCA022761R1530 | 10 | 0.33 |

Door mounted, screw mounted handle

| | | | | | | |
|-------------------------------------|---|----|----------|-----------------|----|------|
| 1 _R - 0 - 2 _R | 2 | 25 | ONURR2RB | 1SCA100223R1001 | 10 | 0.11 |
|-------------------------------------|---|----|----------|-----------------|----|------|

Door mounted, round front ring

| | | | | | | |
|-------------------------------------|---|----|----------|-----------------|----|------|
| 1 _R - 0 - 2 _R | 2 | 25 | ONURR2XB | 1SCA022709R0620 | 10 | 0.11 |
|-------------------------------------|---|----|----------|-----------------|----|------|

DIN-rail mounted

| | | | | | | |
|-------------------------------------|---|----|---------|-----------------|----|------|
| 1 _R - 0 - 2 _R | 1 | 25 | ONURR1M | 1SCA022568R3530 | 10 | 0.09 |
|-------------------------------------|---|----|---------|-----------------|----|------|

Without 0-position, step angle 60°

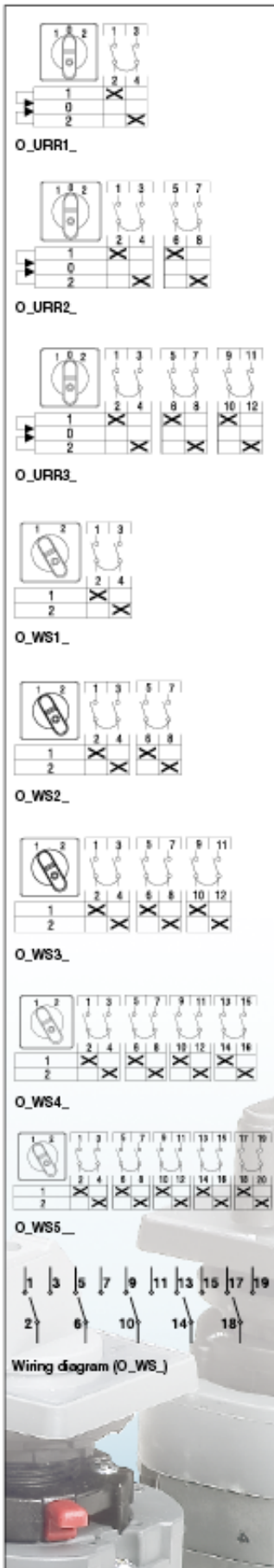
Door mounted, snap-on mounted handle

| | | | | | | |
|-------|---|----|-----------|-----------------|----|------|
| 1 - 2 | 1 | 10 | OMWS1PB | 1SCA022532R6770 | 10 | 0.09 |
| | 2 | 10 | OMWS2PB | 1SCA022532R6850 | 10 | 0.11 |
| | 3 | 10 | OMWS3PB | 1SCA022533R0610 | 10 | 0.13 |
| | 4 | 10 | OMWS4PB | 1SCA022533R0700 | 10 | 0.14 |
| 1 - 2 | 1 | 25 | ONWS1PB | 1SCA022532R8120 | 10 | 0.09 |
| | 2 | 25 | ONWS2PB | 1SCA022532R9360 | 10 | 0.11 |
| | 3 | 25 | ONWS3PB | 1SCA022532R9440 | 10 | 0.13 |
| | 4 | 25 | ONWS4PB | 1SCA022532R9520 | 10 | 0.14 |
| | 5 | 25 | ONWS5PB | 1SCA022624R6440 | 10 | |
| 1 - 2 | 1 | 45 | OL40WS1PB | 1SCA022761R1610 | 10 | 0.17 |
| | 2 | 45 | OL40WS2PB | 1SCA022761R1700 | 10 | 0.25 |
| | 3 | 45 | OL40WS3PB | 1SCA022761R1880 | 10 | 0.33 |
| | 4 | 45 | OL40WS4PB | 1SCA022761R1960 | 10 | 0.41 |

Door mounted, screw mounted handle

| | | | | | | |
|-------|---|-----|------------|-----------------|----|------|
| 1 - 2 | 1 | 25 | ONWS1RB | 1SCA100236R1001 | 10 | 0.09 |
| | 2 | 25 | ONWS2RB | 1SCA100240R1001 | 10 | 0.11 |
| | 3 | 25 | ONWS3RB | 1SCA022874R9180 | 10 | 0.13 |
| | 4 | 25 | ONWS4RB | 1SCA100254R1001 | 10 | 0.14 |
| 1 - 2 | 1 | 40 | OL40WS1RB | 1SCA100316R1001 | 10 | 0.17 |
| | 2 | 40 | OL40WS2RB | 1SCA100319R1001 | 10 | 0.25 |
| | 3 | 40 | OL40WS3RB | 1SCA100320R1001 | 10 | 0.33 |
| | 4 | 40 | OL40WS4RB | 1SCA100321R1001 | 10 | 0.41 |
| 1 - 2 | 1 | 63 | OL63WS1RB | 1SCA111595R1001 | 1 | 0.34 |
| | 2 | 63 | OL63WS2RB | 1SCA111545R1001 | 1 | 0.45 |
| | 3 | 63 | OL63WS3RB | 1SCA111546R1001 | 1 | 0.56 |
| | 4 | 63 | OL63WS4RB | 1SCA111547R1001 | 1 | 0.67 |
| 1 - 2 | 1 | 80 | OL80NWS1RB | 1SCA111647R1001 | 1 | 0.34 |
| | 2 | 80 | OL80NWS2RB | 1SCA111633R1001 | 1 | 0.45 |
| | 3 | 80 | OL80NWS3RB | 1SCA111634R1001 | 1 | 0.56 |
| | 4 | 80 | OL80NWS4RB | 1SCA111635R1001 | 1 | 0.67 |
| 1 - 2 | 1 | 150 | OL125WS1RB | 1SCA022790R2340 | 1 | 0.34 |
| | 2 | 150 | OL125WS2RB | 1SCA022790R2420 | 1 | 0.45 |
| | 3 | 150 | OL125WS3RB | 1SCA022790R2510 | 1 | 0.56 |
| | 4 | 150 | OL125WS4RB | 1SCA022790R2690 | 1 | 0.67 |
| 1 - 2 | 1 | 175 | OL160WS1RB | 1SCA022790R8030 | 1 | 0.34 |
| | 2 | 175 | OL160WS2RB | 1SCA022790R8110 | 1 | 0.45 |
| | 3 | 175 | OL160WS3RB | 1SCA022790R8200 | 1 | 0.56 |
| | 4 | 175 | OL160WS4RB | 1SCA022790R8380 | 1 | 0.67 |
| 1 - 2 | 1 | 315 | OL200WS1RB | 1SCA022790R8460 | 1 | 2.00 |
| | 2 | 315 | OL200WS2RB | 1SCA022790R8540 | 1 | 3.10 |
| | 3 | 315 | OL200WS3RB | 1SCA022790R8620 | 1 | 4.20 |
| | 4 | 315 | OL200WS4RB | 1SCA022790R8710 | 1 | 5.30 |

Packing sizes for 10 pcs: OM 130 x 100 x 120 [mm]
ON, OL40 250 x 100 x 110 [mm]



Change-over switches

Black handle and front plate with position indication are included.
The type and the ordering number are for one piece.

| Function | Number of poles | Rated thermal current I _{th} [A] | Type | Order number | Delivery batch [pcs] | Weight/unit [kg] |
|----------|-----------------|---|------|--------------|----------------------|------------------|
|----------|-----------------|---|------|--------------|----------------------|------------------|

Without 0-position, step angle 60°

Door mounted, round front ring

| | | | | | | |
|-------|---|----|---------|-----------------|----|------|
| 1 - 2 | 1 | 25 | ONWS1XB | 1SCA022709R1270 | 10 | 0.09 |
| | 2 | 25 | ONWS2XB | 1SCA022709R1350 | 10 | 0.11 |
| | 3 | 25 | ONWS3XB | 1SCA022709R1430 | 10 | 0.13 |
| | 4 | 25 | ONWS4XB | 1SCA022709R1510 | 10 | 0.14 |

DIN-rail mounted

| | | | | | | |
|-------|---|----|--------|-----------------|----|------|
| 1 - 2 | 1 | 25 | ONWS1M | 1SCA022532R8710 | 10 | 0.09 |
| | 2 | 25 | ONWS2M | 1SCA022532R8800 | 10 | 0.11 |
| | 3 | 25 | ONWS3M | 1SCA022532R8980 | 10 | 0.13 |
| | 4 | 25 | ONWS4M | 1SCA022532R9010 | 10 | 0.14 |

With overlapping contacts

Door mounted, snap-on mounted handle

| | | | | | | |
|-------|---|----|---------|-----------------|----|------|
| 1 - 2 | 1 | 10 | OMWC1PB | 1SCA022799R8270 | 10 | 0.09 |
| | 2 | 10 | OMWC2PB | 1SCA022799R8600 | 10 | 0.11 |
| | 3 | 10 | OMWC3PB | 1SCA022799R9080 | 10 | 0.13 |
| | 4 | 10 | OMWC4PB | 1SCA022799R9160 | 10 | 0.14 |

| | | | | | | |
|-------|---|----|---------|-----------------|----|------|
| 1 - 2 | 1 | 25 | ONWC1PB | 1SCA022799R8350 | 10 | 0.09 |
| | 2 | 25 | ONWC2PB | 1SCA022799R8780 | 10 | 0.11 |
| | 3 | 25 | ONWC3PB | 1SCA022799R9240 | 10 | 0.13 |
| | 4 | 25 | ONWC4PB | 1SCA022799R9320 | 10 | 0.14 |

| | | | | | | |
|-------|---|----|-----------|-----------------|----|------|
| 1 - 2 | 1 | 45 | OL40WC1PB | 1SCA022799R8430 | 10 | 0.17 |
| | 2 | 45 | OL40WC2PB | 1SCA022799R8860 | 10 | 0.25 |
| | 3 | 45 | OL40WC3PB | 1SCA022799R9410 | 10 | 0.33 |
| | 4 | 45 | OL40WC4PB | 1SCA022799R9590 | 10 | 0.41 |

Door mounted, screw mounted handle

| | | | | | | |
|-------|---|----|-----------|-----------------|---|------|
| 1 - 2 | 1 | 63 | OL63WC1RB | 1SCA111596R1001 | 1 | 0.34 |
| | 2 | 63 | OL63WC2RB | 1SCA111597R1001 | 1 | 0.45 |
| | 3 | 63 | OL63WC3RB | 1SCA111598R1001 | 1 | 0.56 |
| | 4 | 63 | OL63WC4RB | 1SCA111599R1001 | 1 | 0.67 |

| | | | | | | |
|-------|---|----|------------|-----------------|---|------|
| 1 - 2 | 1 | 80 | OL80NWC1RB | 1SCA111648R1001 | 1 | 0.34 |
| | 2 | 80 | OL80NWC2RB | 1SCA111649R1001 | 1 | 0.45 |
| | 3 | 80 | OL80NWC3RB | 1SCA111650R1001 | 1 | 0.56 |
| | 4 | 80 | OL80NWC4RB | 1SCA111651R1001 | 1 | 0.67 |

With common center position and with overlapping contacts

Door mounted, snap-on mounted handle

| | | | | | | |
|-----------------|---|----|-----------|-----------------|----|------|
| 1 - (1 + 2) - 2 | 3 | 25 | ONUC3PB | 1SCA022791R0360 | 10 | 0.13 |
| | 4 | 25 | ONUC4PB | 1SCA022791R0280 | 10 | 0.14 |
| 1 - (1 + 2) - 2 | 3 | 45 | OL40UC3PB | 1SCA022791R0870 | 10 | 0.13 |
| | 4 | 45 | OL40UC4PB | 1SCA022791R0950 | 10 | 0.14 |

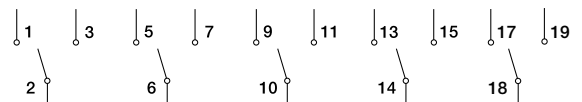
Door mounted, screw mounted handle

| | | | | | | |
|-----------------|---|----|-----------|-----------------|---|------|
| 1 - (1 + 2) - 2 | 3 | 63 | OL63UC3RB | 1SCA111593R1001 | 1 | 0.56 |
| | 4 | 63 | OL63UC4RB | 1SCA111594R1001 | 1 | 0.67 |
| 1 - (1 + 2) - 2 | 3 | 80 | OL80UC3RB | 1SCA111645R1001 | 1 | 0.56 |
| | 4 | 80 | OL80UC4RB | 1SCA111646R1001 | 1 | 0.67 |

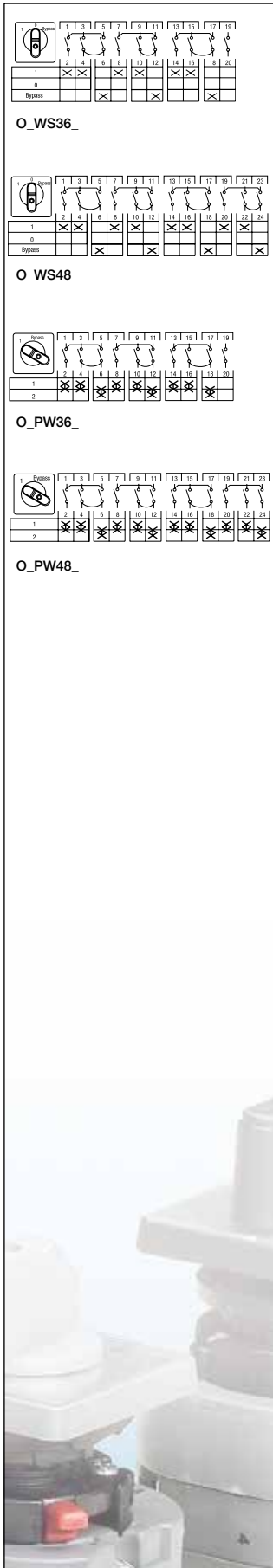
| | | | | | | |
|-----------------|---|-----|------------|-----------------|---|------|
| 1 - (1 + 2) - 2 | 3 | 150 | OL125UC3RB | 1SCA022791R1500 | 1 | 0.56 |
| | 4 | 150 | OL125UC4RB | 1SCA022791R2060 | 1 | 0.67 |
| 1 - (1 + 2) - 2 | 3 | 175 | OL160UC3RB | 1SCA022791R1680 | 1 | 0.56 |
| | 4 | 175 | OL160UC4RB | 1SCA022791R2140 | 1 | 0.67 |

| | | | | | | |
|-----------------|---|-----|------------|-----------------|---|------|
| 1 - (1 + 2) - 2 | 3 | 315 | OL200UC3RB | 1SCA022791R1760 | 1 | 4.20 |
| | 4 | 315 | OL200UC4RB | 1SCA022791R2220 | 1 | 5.30 |

Wiring diagram (O_WS_, O_WC_, O_UC_)



Packing sizes for 10 pcs: OM 130 x 100 x 120 [mm]
ON, OL40 250 x 100 x 110 [mm]



Bypass switches

Black handle and front plate with position indication are included.
The type and the ordering number are for one piece.

| Function | Number of poles | Rated thermal current I_{th} [A] | Type | Order number | Delivery batch [pcs] | Weight/unit [kg] |
|----------|-----------------|------------------------------------|------|--------------|----------------------|------------------|
|----------|-----------------|------------------------------------|------|--------------|----------------------|------------------|

With 0-position, step angle 60°, without overlapping, 3 and 4- pole network

Door mounted, snap-on mounted handle

| | | | | | | |
|----------------|-------|----|------------|-----------------|----|------|
| 1 - 0 - Bypass | 3 / 6 | 25 | ONWS36PB | 1SCA022791R0440 | 10 | 0.17 |
| | 4 / 8 | 25 | ONWS48PB | 1SCA022791R0520 | 10 | 0.19 |
| 1 - 0 - Bypass | 3 / 6 | 45 | OL40WS36PB | 1SCA022791R1090 | 10 | 0.21 |
| | 4 / 8 | 45 | OL40WS48PB | 1SCA022791R1170 | 10 | 0.31 |

Door mounted, screw mounted handle

| | | | | | | |
|----------------|-------|-----|-------------|-----------------|---|------|
| 1 - 0 - Bypass | 3 / 6 | 63 | OL63WS36RB | 1SCA111600R1001 | 1 | 0.78 |
| | 4 / 8 | 63 | OL63WS48RB | 1SCA111601R1001 | 1 | 0.89 |
| 1 - 0 - Bypass | 3 / 6 | 80 | OL80NWS36RB | 1SCA111652R1001 | 1 | 0.78 |
| | 4 / 8 | 80 | OL80NWS48RB | 1SCA111653R1001 | 1 | 0.89 |
| 1 - 0 - Bypass | 3 / 6 | 150 | OL125WS36RB | 1SCA022791R2570 | 1 | 0.78 |
| | 4 / 8 | 150 | OL125WS48RB | 1SCA022791R3030 | 1 | 0.89 |
| 1 - 0 - Bypass | 3 / 6 | 175 | OL160WS36RB | 1SCA022791R2650 | 1 | 0.78 |
| | 4 / 8 | 175 | OL160WS48RB | 1SCA022791R3110 | 1 | 0.89 |
| 1 - 0 - Bypass | 3 / 6 | 315 | OL200WS36RB | 1SCA022791R2730 | 1 | 6.40 |
| | 4 / 8 | 315 | OL200WS48RB | 1SCA022791R3200 | 1 | 7.50 |

Without 0-position, step angle 60°, with overlapping, 3 and 4- pole network

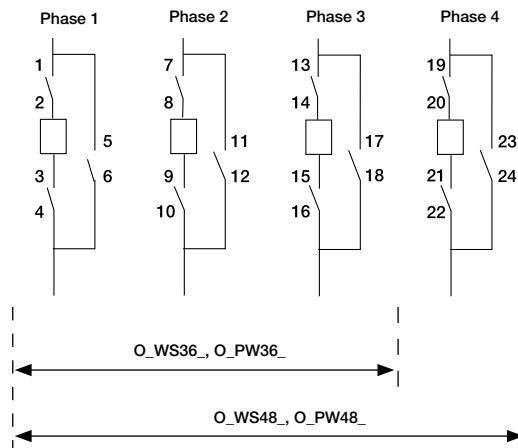
Door mounted, snap-on mounted handle

| | | | | | | |
|------------|-------|----|------------|-----------------|----|------|
| 1 - Bypass | 3 / 6 | 25 | ONPW36PB | 1SCA022791R0610 | 10 | 0.17 |
| | 4 / 8 | 25 | ONPW48PB | 1SCA022791R0790 | 10 | 0.19 |
| 1 - Bypass | 3 / 6 | 45 | OL40PW36PB | 1SCA022791R1250 | 10 | 0.21 |
| | 4 / 8 | 45 | OL40PW48PB | 1SCA022791R1330 | 10 | 0.31 |

Door mounted, screw mounted handle

| | | | | | | |
|------------|-------|-----|-------------|-----------------|---|------|
| 1 - Bypass | 3 / 6 | 63 | OL63PW36RB | 1SCA111591R1001 | 1 | 0.78 |
| | 4 / 8 | 63 | OL63PW48RB | 1SCA111592R1001 | 1 | 0.89 |
| 1 - Bypass | 3 / 6 | 80 | OL80NPW36RB | 1SCA111641R1001 | 1 | 0.78 |
| | 4 / 8 | 80 | OL80NPW48RB | 1SCA111642R1001 | 1 | 0.89 |
| 1 - Bypass | 3 / 6 | 150 | OL125PW36RB | 1SCA022791R3540 | 1 | 0.78 |
| | 4 / 8 | 150 | OL125PW48RB | 1SCA022791R4010 | 1 | 0.89 |
| 1 - Bypass | 3 / 6 | 175 | OL160PW36RB | 1SCA022791R3620 | 1 | 0.78 |
| | 4 / 8 | 175 | OL160PW48RB | 1SCA022791R4190 | 1 | 0.89 |
| 1 - Bypass | 3 / 6 | 315 | OL200PW36RB | 1SCA022791R3710 | 1 | 6.40 |
| | 4 / 8 | 315 | OL200PW48RB | 1SCA022791R4270 | 1 | 7.50 |

Wiring diagram, bypass switches

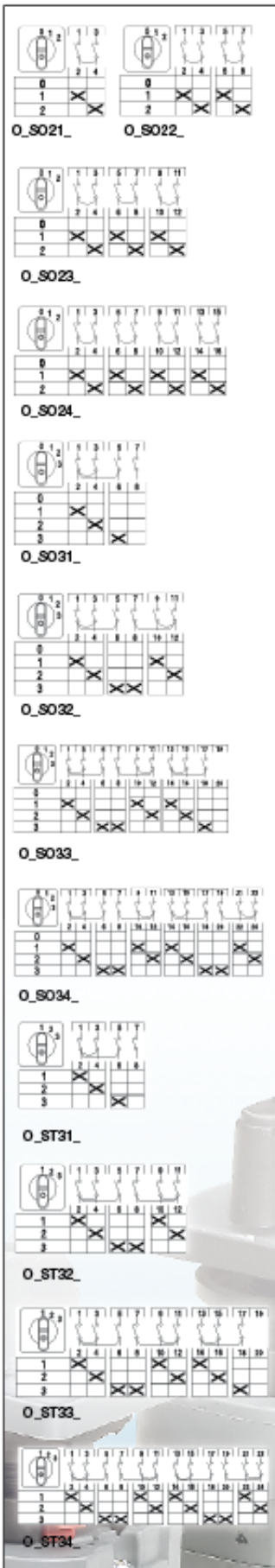


| | | |
|---------------------------|----------|----------------------|
| Packing sizes for 10 pcs: | OM | 130 x 100 x 120 [mm] |
| | ON, OL40 | 250 x 100 x 110 [mm] |

Multistep switches

Black handle and front plate with position indication are included.
The type and the ordering number are for one piece.

Step angle 30°



| Function | Number of poles | Rated thermal current I_{th} [A] | Type | Order number | Delivery batch [pcs] | Weight/unit [kg] |
|---|-----------------|------------------------------------|-------------|-----------------|----------------------|------------------|
| 2- step, with O-position | | | | | | |
| Door mounted, snap-on mounted handle | | | | | | |
| 0 - 1 - 2 | 1 | 10 | OMSO21PB | 1SCA022533R0880 | 10 | 0.04 |
| | 2 | 10 | OMSO22PB | 1SCA022533R0960 | 10 | 0.05 |
| | 3 | 10 | OMSO23PB | 1SCA022533R1000 | 10 | 0.06 |
| | 4 | 10 | OMSO24PB | 1SCA022533R1180 | 10 | 0.07 |
| 0 - 1 - 2 | 1 | 25 | ONSO21PB | 1SCA022532R9610 | 10 | 0.10 |
| | 2 | 25 | ONSO22PB | 1SCA022532R9790 | 10 | 0.12 |
| | 3 | 25 | ONSO23PB | 1SCA022532R9870 | 10 | 0.13 |
| | 4 | 25 | ONSO24PB | 1SCA022532R9950 | 10 | 0.14 |
| Door mounted, screw mounted handle | | | | | | |
| 0 - 1 - 2 | 1 | 25 | ONSO21RB | 1SCA100283R1001 | 10 | 0.10 |
| | 2 | 25 | ONSO22RB | 1SCA100285R1001 | 10 | 0.12 |
| Door mounted, round front ring | | | | | | |
| 0 - 1 - 2 | 1 | 25 | ONSO21XB | 1SCA022709R2080 | 10 | 0.10 |
| | 2 | 25 | ONSO22XB | 1SCA022709R2160 | 10 | 0.12 |
| DIN-Rail mounted | | | | | | |
| 0 - 1 - 2 | 1 | 25 | ONSO21M | 1SCA022532R9100 | 10 | 0.10 |
| 3- step, with O-position | | | | | | |
| Door mounted, snap-on mounted handle | | | | | | |
| 0 - 1 - 2 - 3 | 1 | 10 | OMSO31PB | 1SCA022545R3110 | 10 | 0.05 |
| | 2 | 10 | OMSO32PB | 1SCA022533R1420 | 10 | 0.06 |
| | 3 | 10 | OMSO33PB | 1SCA022533R1510 | 10 | 0.07 |
| | 4 | 10 | OMSO34PB | 1SCA022533R1690 | 10 | 0.08 |
| 0 - 1 - 2 - 3 | 1 | 25 | ONSO31PB | 1SCA022533R0020 | 10 | 0.10 |
| | 2 | 25 | ONSO32PB | 1SCA022533R0110 | 10 | 0.12 |
| | 3 | 25 | ONSO33PB | 1SCA022533R0290 | 10 | 0.13 |
| | 4 | 25 | ONSO34PB | 1SCA022533R0370 | 10 | 0.14 |
| 0 - 1 - 2 - 3 | 1 | 45 | OL40SO31PB | 1SCA022758R7810 | 10 | 0.41 |
| Door mounted, screw mounted handle | | | | | | |
| 0 - 1 - 2 - 3 | 1 | 25 | ONSO31RB | 1SCA100286R1001 | 10 | 0.10 |
| 0 - 1 - 2 - 3 | 1 | 63 | OL63SO31RB | 1SCA111603R1001 | 1 | 0.41 |
| | 1 | 80 | OL80NSO31RB | 1SCA111655R1001 | 1 | 0.41 |
| | 1 | 150 | OL125SO31RB | 1SCA022791R4510 | 1 | 0.41 |
| | 1 | 175 | OL160SO31RB | 1SCA022791R4600 | 1 | 0.41 |
| | 1 | 315 | OL200SO31RB | 1SCA022791R4780 | 1 | 1.75 |
| Door mounted, round front ring | | | | | | |
| 0 - 1 - 2 - 3 | 1 | 25 | ONSO31XB | 1SCA022709R2830 | 10 | 0.10 |
| DIN-rail mounted | | | | | | |
| 0 - 1 - 2 - 3 | 1 | 25 | ONSO31M | 1SCA022532R9280 | 10 | 0.11 |

Packing sizes for 10 pcs: OM 130 x 100 x 120 [mm]
ON, OL40 250 x 100 x 110 [mm]

Multistep switches

Black handle and front plate with position indication are included.
The type and the ordering number are for one piece.

Step angle 30°

| Function | Number of poles | Rated thermal current I _{th} [A] | Type | Order number | Delivery batch [pcs] | Weight/unit [kg] |
|----------|-----------------|---|------|--------------|----------------------|------------------|
|----------|-----------------|---|------|--------------|----------------------|------------------|

3- step, without O-position

See the O_ST31_ - 34_ function charts on the previous page

Door mounted, snap-on mounted handle

| | | | | | | |
|-----------|---|----|----------|-----------------|----|------|
| 1 - 2 - 3 | 1 | 10 | OMST31PB | 1SCA022533R2580 | 10 | 0.05 |
| | 2 | 10 | OMST32PB | 1SCA022533R4010 | 10 | 0.06 |
| | 3 | 10 | OMST33PB | 1SCA022533R4100 | 10 | 0.07 |
| | 4 | 10 | OMST34PB | 1SCA022533R4280 | 10 | 0.08 |
| 1 - 2 - 3 | 1 | 25 | ONST31PB | 1SCA022533R2740 | 10 | 0.10 |
| | 2 | 25 | ONST32PB | 1SCA022533R2820 | 10 | 0.12 |
| | 3 | 25 | ONST33PB | 1SCA022533R2910 | 10 | 0.13 |
| | 4 | 25 | ONST34PB | 1SCA022533R3040 | 10 | 0.14 |

Door mounted, screw mounted handle

| | | | | | | |
|-----------|---|----|----------|-----------------|----|------|
| 1 - 2 - 3 | 1 | 25 | ONST31RB | 1SCA100287R1001 | 10 | 0.10 |
|-----------|---|----|----------|-----------------|----|------|

Door mounted, round front ring

| | | | | | | |
|-----------|---|----|----------|-----------------|----|------|
| 1 - 2 - 3 | 1 | 25 | ONST31XB | 1SCA022709R4610 | 10 | 0.10 |
|-----------|---|----|----------|-----------------|----|------|

DIN-rail mounted

| | | | | | | |
|-----------|---|----|---------|-----------------|----|------|
| 1 - 2 - 3 | 1 | 25 | ONST31M | 1SCA022533R2070 | 10 | 0.10 |
|-----------|---|----|---------|-----------------|----|------|

4- step, with O-position

Door mounted, snap-on mounted handle

| | | | | | | |
|-------------------|---|----|----------|-----------------|----|------|
| 0 - 1 - 2 - 3 - 4 | 1 | 10 | OMSO41PB | 1SCA022533R1770 | 10 | 0.05 |
| | 2 | 10 | OMSO42PB | 1SCA022533R1850 | 10 | 0.06 |
| | 3 | 10 | OMSO43PB | 1SCA022533R3710 | 10 | 0.07 |
| 0 - 1 - 2 - 3 - 4 | 1 | 25 | ONSO41PB | 1SCA022533R0450 | 10 | 0.11 |
| | 2 | 25 | ONSO42PB | 1SCA022533R0530 | 10 | 0.12 |
| | 3 | 25 | ONSO43PB | 1SCA022533R2230 | 10 | 0.13 |

4- step, without O-position

Door mounted, snap-on mounted handle

| | | | | | | |
|---------------|---|----|----------|-----------------|----|------|
| 1 - 2 - 3 - 4 | 1 | 10 | OMST41PB | 1SCA022533R4440 | 10 | 0.05 |
| | 2 | 10 | OMST42PB | 1SCA022533R4610 | 10 | 0.06 |
| | 3 | 10 | OMST43PB | 1SCA022533R4790 | 10 | 0.07 |
| 1 - 2 - 3 - 4 | 1 | 25 | ONST41PB | 1SCA022533R3210 | 10 | 0.11 |
| | 2 | 25 | ONST42PB | 1SCA022533R3390 | 10 | 0.12 |
| | 3 | 25 | ONST43PB | 1SCA022533R3470 | 10 | 0.13 |

Door mounted, screw mounted handle

| | | | | | | |
|---------------|---|----|----------|-----------------|----|------|
| 1 - 2 - 3 - 4 | 1 | 25 | ONST41RB | 1SCA100288R1001 | 10 | 0.11 |
|---------------|---|----|----------|-----------------|----|------|

Door mounted, round front ring

| | | | | | | |
|---------------|---|----|----------|-----------------|----|------|
| 1 - 2 - 3 - 4 | 1 | 25 | ONST41XB | 1SCA022709R5420 | 10 | 0.11 |
|---------------|---|----|----------|-----------------|----|------|

5- step, with O-position

Door mounted, snap-on mounted handle

| | | | | | | |
|-----------------------|---|----|----------|-----------------|----|------|
| 0 - 1 - 2 - 3 - 4 - 5 | 1 | 10 | OMSO51PB | 1SCA022533R3800 | 10 | 0.06 |
| | 2 | 10 | OMSO52PB | 1SCA022533R3980 | 10 | 0.08 |
| 0 - 1 - 2 - 3 - 4 - 5 | 1 | 25 | ONSO51PB | 1SCA022533R2310 | 10 | 0.12 |
| | 2 | 25 | ONSO52PB | 1SCA022533R2400 | 10 | 0.14 |

5- step, without O-position

Door mounted, snap-on mounted handle

| | | | | | | |
|-------------------|---|----|----------|-----------------|----|------|
| 1 - 2 - 3 - 4 - 5 | 1 | 10 | OMST51PB | 1SCA022533R4870 | 10 | 0.06 |
| | 2 | 10 | OMST52PB | 1SCA022533R5090 | 10 | 0.08 |
| 1 - 2 - 3 - 4 - 5 | 1 | 25 | ONST51PB | 1SCA022533R3550 | 10 | 0.12 |
| | 2 | 25 | ONST52PB | 1SCA022533R3630 | 10 | 0.14 |

Packing sizes for 10 pcs: OM 130 x 100 x 120 [mm]
ON, OL40 250 x 100 x 110 [mm]

Multistep switches

Black handle and front plate with position indication are included.
The type and the ordering number are for one piece.

Step angle 30°

| Function | Number of poles | Rated thermal current I _{th} [A] | Type | Order number | Delivery batch [pcs] | Weight/unit [kg] |
|----------|-----------------|---|------|--------------|----------------------|------------------|
|----------|-----------------|---|------|--------------|----------------------|------------------|

6-step, with 0-position

Door mounted, snap-on mounted handle

| | | | | | | |
|---------------|---|----|------------|-----------------|----|-------|
| 0-1-2-3-4-5-6 | 1 | 25 | ONSO61PB | 1SCA022776R1180 | 10 | 0.115 |
| | 2 | 25 | ONSO62PB | 1SCA022776R1260 | 10 | 0.190 |
| | 3 | 25 | ONSO63PB | 1SCA022776R1340 | 10 | 0.265 |
| 0-1-2-3-4-5-6 | 1 | 45 | OL40SO61PB | 1SCA022776R1420 | 10 | 0.185 |
| | 2 | 45 | OL40SO62PB | 1SCA022776R1510 | 10 | 0.305 |
| | 3 | 45 | OL40SO63PB | 1SCA022776R1690 | 10 | 0.425 |

6-step, without 0-position

Door mounted, snap-on mounted handle

| | | | | | | |
|-------------|---|----|------------|-----------------|----|-------|
| 1-2-3-4-5-6 | 1 | 25 | ONST61PB | 1SCA022761R6760 | 10 | 0.115 |
| | 2 | 25 | ONST62PB | 1SCA022776R1770 | 10 | 0.190 |
| | 3 | 25 | ONST63PB | 1SCA022776R1850 | 10 | 0.265 |
| 1-2-3-4-5-6 | 1 | 45 | OL40ST61PB | 1SCA022775R1380 | 10 | 0.185 |
| | 2 | 45 | OL40ST62PB | 1SCA022776R1930 | 10 | 0.305 |
| | 3 | 45 | OL40ST63PB | 1SCA022776R2070 | 10 | 0.425 |

7-step, with 0-position

Door mounted, snap-on mounted handle

| | | | | | | |
|-----------------|---|----|------------|-----------------|----|------|
| 0-1-2-3-4-5-6-7 | 1 | 25 | ONSO71PB | 1SCA022691R8480 | 10 | 0.14 |
| | 1 | 45 | OL40SO71PB | 1SCA022773R3300 | 10 | 0.30 |

7-step, without 0-position

Door mounted, snap-on mounted handle

| | | | | | | |
|---------------|---|----|------------|-----------------|----|------|
| 1-2-3-4-5-6-7 | 1 | 25 | ONST71PB | 1SCA022776R2150 | 10 | 0.14 |
| | 1 | 45 | OL40ST71PB | 1SCA022776R2230 | 10 | 0.30 |

8-step, with 0-position

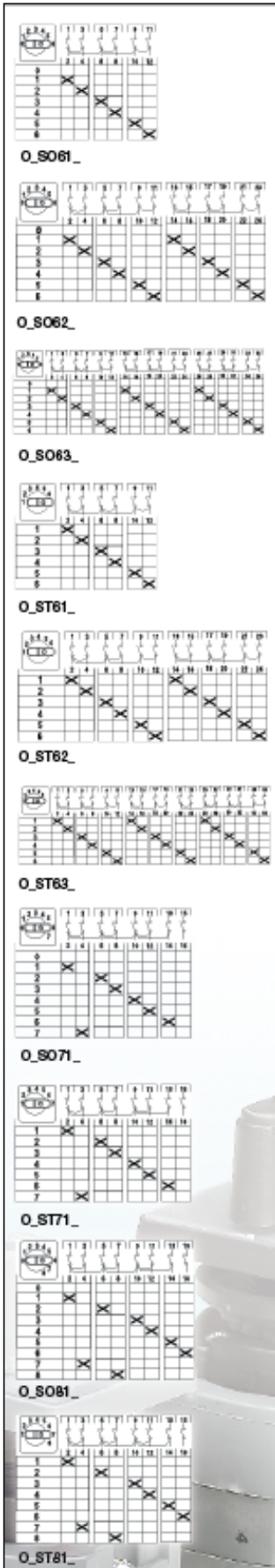
Door mounted, snap-on mounted handle

| | | | | | | |
|-------------------|---|----|------------|-----------------|----|-------|
| 0-1-2-3-4-5-6-7-8 | 1 | 25 | ONSO81PB | 1SCA022661R9730 | 10 | 0.145 |
| | 1 | 45 | OL40SO81PB | 1SCA022773R3480 | 10 | 0.148 |

8-step, without 0-position

Door mounted, snap-on mounted handle

| | | | | | | |
|-----------------|---|----|------------|-----------------|----|-------|
| 1-2-3-4-5-6-7-8 | 1 | 25 | ONST81PB | 1SCA022685R7320 | 10 | 0.145 |
| | 1 | 45 | OL40ST81PB | 1SCA022773R4960 | 10 | 0.148 |



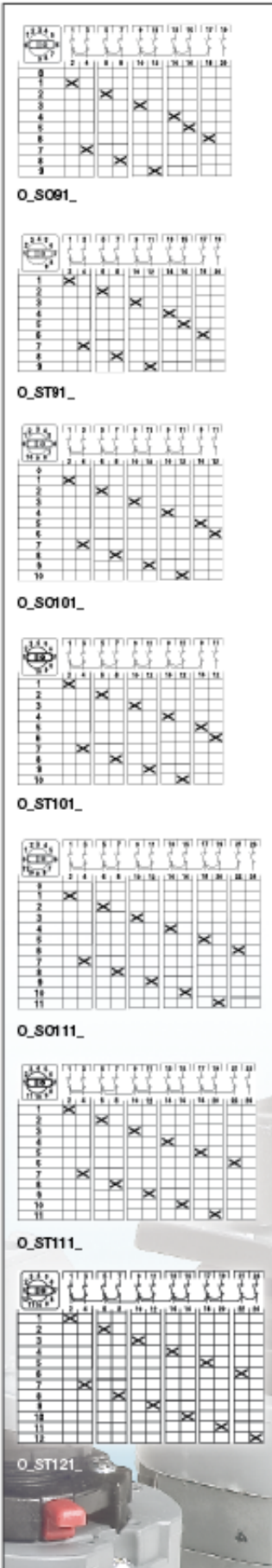
Packing sizes for 10 pcs: OM 130 x 100 x 120 [mm]
ON, OL40 250 x 100 x 110 [mm]

Multistep switches

Black handle and front plate with position indication are included.
The type and the ordering number are for one piece.

Step angle 30°

| Function | Number of poles I_{th} [A] | Rated thermal current | Type | Order number | Delivery batch [pcs] | Weight/unit [kg] |
|---|---------------------------------|-----------------------|-------------|-----------------|----------------------|------------------|
| 9-step, with 0-position | | | | | | |
| Door mounted, snap-on mounted handle | | | | | | |
| 0-1-2-3-4-5-6-7-8-9 | 1 | 25 | ONSO91PB | 1SCA022776R2310 | 5 | 0.165 |
| | 1 | 45 | OL40SO91PB | 1SCA022776R2400 | 5 | 0.265 |
| 9-step, without 0-position | | | | | | |
| Door mounted, snap-on mounted handle | | | | | | |
| 1-2-3-4-5-6-7-8-9 | 1 | 25 | ONST91PB | 1SCA022775R1710 | 5 | 0.165 |
| | 1 | 45 | OL40ST91PB | 1SCA022775R1460 | 5 | 0.265 |
| 10-step, with 0-position | | | | | | |
| Door mounted, snap-on mounted handle | | | | | | |
| 0-1-2-3-4-5-6-7-8-9-10 | 1 | 25 | ONSO101PB | 1SCA022776R2580 | 5 | 0.17 |
| | 1 | 45 | OL40SO101PB | 1SCA022776R2660 | 5 | 0.27 |
| 10-step, without 0-position | | | | | | |
| Door mounted, snap-on mounted handle | | | | | | |
| 1-2-3-4-5-6-7-8-9-10 | 1 | 25 | ONST101PB | 1SCA022775R1540 | 5 | 0.17 |
| | 1 | 45 | OL40ST101PB | 1SCA022775R1110 | 5 | 0.27 |
| 11-step, with 0-position | | | | | | |
| Door mounted, snap-on mounted handle | | | | | | |
| 0-1-2-3-4-5-6-7-8-9-10-11 | 1 | 25 | ONSO111PB | 1SCA022776R2740 | 5 | 0.19 |
| | 1 | 45 | OL40SO111PB | 1SCA022776R2820 | 5 | 0.305 |
| 11-step, without 0-position | | | | | | |
| Door mounted, snap-on mounted handle | | | | | | |
| 1-2-3-4-5-6-7-8-9-10-11 | 1 | 25 | ONST111PB | 1SCA022776R2910 | 5 | 0.19 |
| | 1 | 45 | OL40ST111PB | 1SCA022776R3040 | 5 | 0.305 |
| 12-step, without 0-position | | | | | | |
| Door mounted, snap-on mounted handle | | | | | | |
| 1-2-3-4-5-6-7-8-9-10-11-12 | 1 | 25 | ONST121PB | 1SCA022775R1620 | 5 | 0.195 |
| | 1 | 45 | OL40ST121PB | 1SCA022775R1200 | 5 | 0.31 |



Packing sizes for 10 pcs: OM 130 x 100 x 120 [mm]
ON, OL40 250 x 100 x 110 [mm]

Motor control switches

Black handle and front plate with position indication are included.
The type and the ordering number are for one piece.

| Function | Number of poles | Rated thermal current I _{th} [A] | Motor rating AC23/400V [kW] | Type | Order number | Delivery batch [pcs] | Weight/unit [kg] |
|----------|-----------------|---|-----------------------------|------|--------------|----------------------|------------------|
|----------|-----------------|---|-----------------------------|------|--------------|----------------------|------------------|

Ventilation switches

Door mounted, snap-on mounted handle

| | | | | | | | |
|-------------------|---|----|-----|-------------|-----------------|----|------|
| A - 0 - 1/2 - 1/1 | 2 | 10 | 3.0 | OMST301PB | 1SCA022533R4360 | 10 | 0.06 |
| | 2 | 25 | 7.5 | ONST301PB | 1SCA022533R3120 | 10 | 0.11 |
| | 2 | 40 | 15 | OL40ST301PB | 1SCA022761R6680 | 10 | 0.21 |

DIN-rail mounted

| | | | | | | | |
|-------------------|---|----|-----|----------|-----------------|----|------|
| A - 0 - 1/2 - 1/1 | 2 | 25 | 7.5 | ONST301M | 1SCA022533R2150 | 10 | 0.11 |
|-------------------|---|----|-----|----------|-----------------|----|------|

Reversing switches

Door mounted, snap-on mounted handle

| | | | | | | | |
|-----------|---|----|-----|----------|-----------------|----|------|
| 1 - 0 - 2 | 2 | 25 | 7.5 | ONW2PB | 1SCA022586R8230 | 10 | 0.09 |
| | 2 | 40 | 15 | OL40W2PB | 1SCA022757R5550 | 10 | 0.15 |
| 1 - 0 - 2 | 3 | 25 | 7.5 | ONW3PB | 1SCA022553R8790 | 10 | 0.10 |
| | 3 | 40 | 15 | OL40W3PB | 1SCA022757R5630 | 10 | 0.21 |

Door mounted, screw mounted handle

| | | | | | | | |
|-----------|---|----|------|-----------|-----------------|---|------|
| 1 - 0 - 2 | 2 | 63 | 18 | OL63W2RB | 1SCA111588R1001 | 1 | 0.45 |
| | 2 | 80 | 22.5 | OL80NW2RB | 1SCA111638R1001 | 1 | 0.45 |

Star-delta switches

Door mounted, snap-on mounted handle

| | | | | | | | |
|-----------|---|----|-----|----------|-----------------|----|------|
| 0 - Y - Δ | 3 | 25 | 7.5 | ONSDPB | 1SCA022579R1420 | 10 | 0.12 |
| | 3 | 40 | 15 | OL40SDPB | 1SCA022756R3110 | 10 | 0.21 |

Door mounted, screw mounted handle

| | | | | | | | |
|-----------|---|-----|------|-----------|-----------------|---|------|
| 0 - Y - Δ | 3 | 63 | 18 | OL63SDRB | 1SCA111586R1001 | 1 | 0.67 |
| | 3 | 80 | 22.5 | OL80NSDRB | 1SCA111636R1001 | 1 | 0.67 |
| | 3 | 150 | 75 | OL125SDRB | 1SCA022791R5080 | 1 | 0.67 |
| | 3 | 175 | 75 | OL160SDRB | 1SCA022791R5160 | 1 | 0.67 |
| | 3 | 315 | 75 | OL200SDRB | 1SCA022791R5240 | 1 | 5.30 |

Pole-change switches (Dahlander)

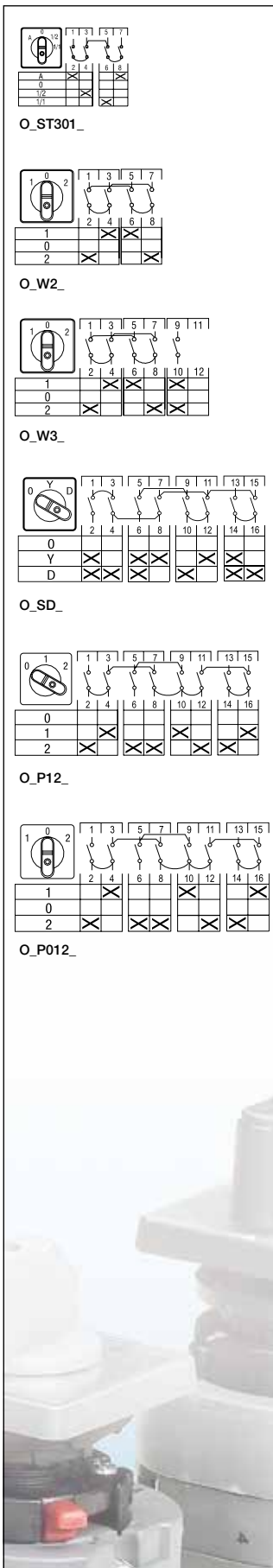
Winding for 2 speeds, one direction, 0 - A - AYY

Door mounted, snap-on mounted handle

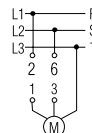
| | | | | | | | |
|-----------|---|----|-----|-----------|-----------------|----|------|
| 0 - 1 - 2 | 3 | 25 | 7.5 | ONP12PB | 1SCA022576R6740 | 10 | 0.12 |
| | 3 | 40 | 15 | OL40P12PB | 1SCA022756R3380 | 10 | 0.25 |

Door mounted, screw mounted handle

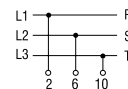
| | | | | | | | |
|-----------|---|-----|------|-------------|-----------------|---|------|
| 1 - 0 - 2 | 3 | 63 | 18 | OL63P012RB | 1SCA111587R1001 | 1 | 0.67 |
| | 3 | 80 | 22.5 | OL80NP012RB | 1SCA111637R1001 | 1 | 0.67 |
| | 3 | 150 | 75 | OL125P012RB | 1SCA022791R5590 | 1 | 0.67 |
| | 3 | 175 | 75 | OL160P012RB | 1SCA022791R5670 | 1 | 0.67 |
| | 3 | 315 | 75 | OL200P012RB | 1SCA022791R5750 | 1 | 5.30 |



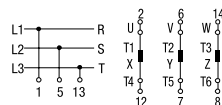
O_ST301



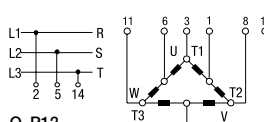
O_W2_



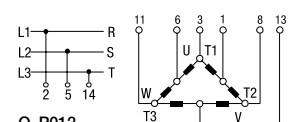
O_W3_



O_SD_

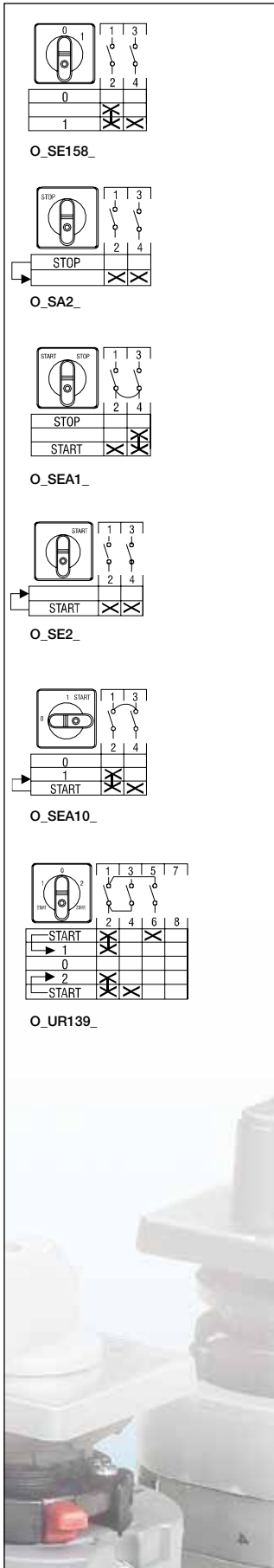


O_P12_



O_P012_

Packing sizes for 10 pcs: OM 130 x 100 x 120 [mm]
ON, OL40 250 x 100 x 110 [mm]



Motor control switches

Black handle and front plate with position indication are included.
The type and the ordering number are for one piece.

| Function | Number of poles | Rated thermal current I_{th} [A] | Type | Order number | Delivery batch [pcs] | Weight/unit [kg] |
|----------|-----------------|------------------------------------|------|--------------|----------------------|------------------|
|----------|-----------------|------------------------------------|------|--------------|----------------------|------------------|

Pumpstart switches

Step angle 60°

Door mounted, snap-on mounted handle

| | | | | | | |
|-------|---|----|-----------|-----------------|----|------|
| 0 - 1 | 1 | 10 | OMSE158PB | 1SCA022545R4930 | 10 | 0.04 |
| | 1 | 25 | ONSE158PB | 1SCA022534R2540 | 10 | 0.09 |

DIN-rail mounted

| | | | | | | |
|-------|---|----|----------|-----------------|----|------|
| 0 - 1 | 1 | 25 | ONSE158M | 1SCA022565R5830 | 10 | 0.09 |
|-------|---|----|----------|-----------------|----|------|

Stop switches

Step angle 30°, with spring return, contacts N.C.

Door mounted, snap-on mounted handle

| | | | | | | |
|-----------------------|---|----|---------|-----------------|----|------|
| 0 _R - Stop | 2 | 10 | OMSA2PB | 1SCA022531R6380 | 10 | 0.04 |
| | 2 | 25 | ONSA2PB | 1SCA022531R6710 | 10 | 0.09 |

Start switches

Step angle 30°, OMSE2_ with spring return.

Door mounted, snap-on mounted handle

| | | | | | | |
|------------------------|---|----|----------|-----------------|----|------|
| Stop - Start | 1 | 25 | ONSEA1PB | 1SCA022605R8610 | 10 | 0.04 |
| 0 _R - Start | 1 | 10 | OMSE2PB | 1SCA022531R6460 | 10 | 0.04 |
| | 1 | 25 | ONSE2PB | 1SCA022563R6290 | 10 | 0.04 |

Step angle 90° - 30°, with spring return

Door mounted, snap-on mounted handle

| | | | | | | |
|---|---|----|-----------|-----------------|----|------|
| 0 - 1 _R - Start | 1 | 10 | OMSEA10PB | 1SCA022531R6540 | 10 | 0.05 |
| | 1 | 25 | ONSEA10PB | 1SCA022531R6890 | 10 | 0.09 |
| Start - 1 _R - 0 - 2 _R - Start | 1 | 25 | ONUR139PB | 1SCA022531R6970 | 10 | 0.09 |

Door mounted, screw mounted handle

| | | | | | | |
|----------------------------|---|----|-----------|-----------------|----|------|
| 0 - 1 _R - Start | 1 | 25 | ONSEA10RB | 1SCA100296R1001 | 10 | 0.09 |
|----------------------------|---|----|-----------|-----------------|----|------|

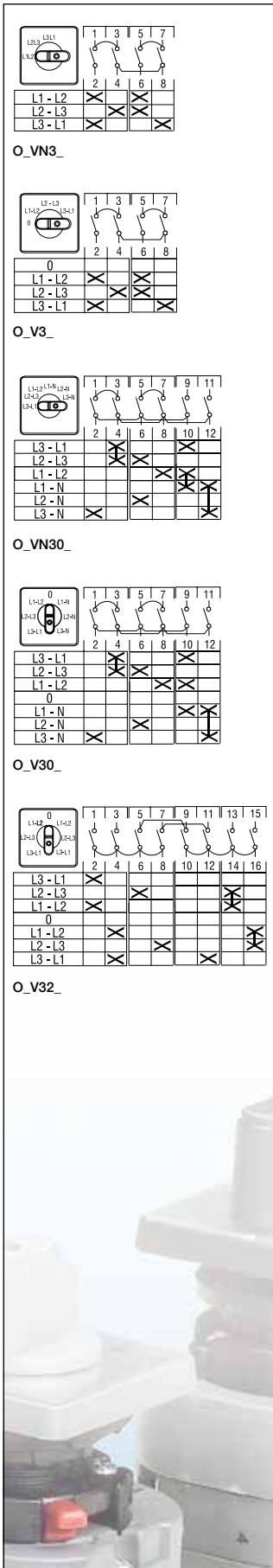
Door mounted, round front ring

| | | | | | | |
|----------------------------|---|----|-----------|-----------------|----|------|
| 0 - 1 _R - Start | 1 | 25 | ONSEA10XB | 1SCA022708R9290 | 10 | 0.09 |
|----------------------------|---|----|-----------|-----------------|----|------|

DIN-rail mounted

| | | | | | | |
|---|---|----|----------|-----------------|----|------|
| 0 - 1 _R - Start | 1 | 25 | ONSEA10M | 1SCA022565R5750 | 10 | 0.09 |
| Start - 1 _R - 0 - 2 _R - Start | 1 | 25 | ONUR139M | 1SCA022568R3370 | 10 | 0.09 |

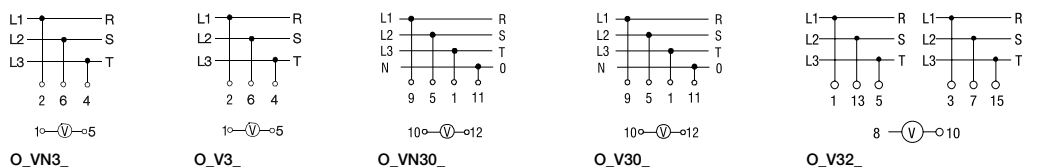
Packing sizes for 10 pcs: OM 130 x 100 x 120 [mm]
ON, OL40 250 x 100 x 110 [mm]



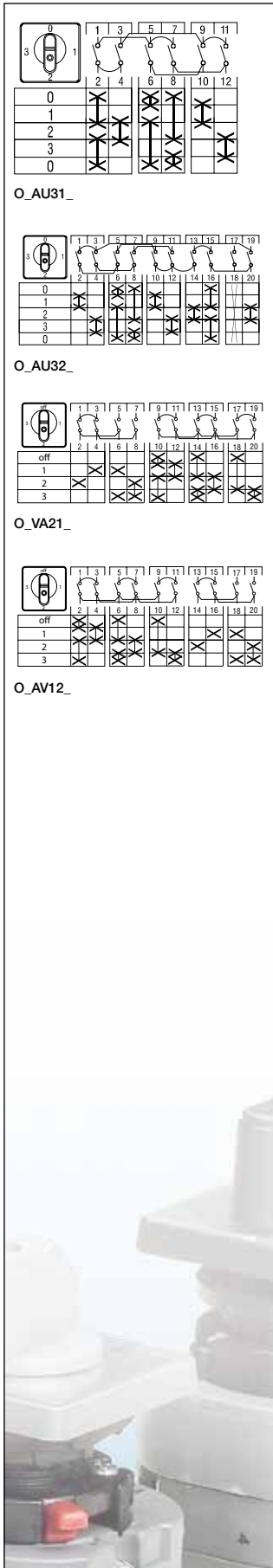
Voltmeter switches

Black handle and front plate with position indication are included.
The type and the ordering number are for one piece.

| Function | Number of poles | Rated thermal current I_{th} [A] | Type | Order number | Delivery batch [pcs] | Weight/unit [kg] |
|---|-----------------|------------------------------------|----------|-----------------|----------------------|------------------|
| 3 Positions, 3 phase -3 wire, without 0-position, step angle 45° | | | | | | |
| Door mounted, snap-on mounted handle | | | | | | |
| L1-L2, L2-L3, L3-L1 | 2 | 10 | OMVN3PB | 1SCA022558R4470 | 10 | 0.06 |
| | 2 | 25 | ONVN3PB | 1SCA022558R4630 | 10 | 0.11 |
| DIN-rail mounted | | | | | | |
| L1-L2, L2-L3, L3-L1 | 2 | 25 | ONVN3M | 1SCA022558R4800 | 10 | 0.11 |
| 4 Positions, 3 phase -3 wire, with 0-position, step angle 45° | | | | | | |
| Door mounted, snap-on mounted handle | | | | | | |
| 0, L1-L2, L2-L3, L3-L1 | 2 | 10 | OMV3PB | 1SCA022533R5250 | 10 | 0.06 |
| | 2 | 25 | ONV3PB | 1SCA022533R5680 | 10 | 0.11 |
| Door mounted, screw mounted handle | | | | | | |
| 0, L1-L2, L2-L3, L3-L1 | 2 | 25 | ONV3RB | 1SCA100323R1001 | 10 | 0.11 |
| Door mounted, round front ring | | | | | | |
| 0, L1-L2, L2-L3, L3-L1 | 2 | 25 | ONV3XB | 1SCA022709R6580 | 10 | 0.13 |
| DIN-rail mounted | | | | | | |
| 0, L1-L2, L2-L3, L3-L1 | 2 | 25 | ONV3M | 1SCA022549R9280 | 10 | 0.11 |
| 6 Positions, 3 phase to phase 3 phase to neutral, without 0-position, step angle 30° | | | | | | |
| Door mounted, snap-on mounted handle | | | | | | |
| L3-L1, L2-L3, L1-L2, | 3 | 10 | OMVN30PB | 1SCA022533R5330 | 10 | 0.08 |
| L1-N, L2-N, L3-N | 3 | 25 | ONVN30PB | 1SCA022533R5760 | 10 | 0.12 |
| DIN-rail mounted | | | | | | |
| L3-L1, L2-L3, L1-L2, | 3 | 25 | ONVN30M | 1SCA022549R9010 | 10 | 0.12 |
| L1-N, L2-N, L3-N | | | | | | |
| 7 Positions, 3 phase to phase 3 phase to neutral, with 0-position, step angle 45° | | | | | | |
| Door mounted, snap-on mounted handle | | | | | | |
| L3-L1, L2-L3, L1-L2, | 3 | 10 | OMV30PB | 1SCA022533R5170 | 10 | 0.12 |
| 0, L1-N, L2-N, L3-N | 3 | 25 | ONV30PB | 1SCA022533R5500 | 10 | 0.12 |
| Door mounted, screw mounted handle | | | | | | |
| L3-L1, L2-L3, L1-L2, | 3 | 25 | ONV30RB | 1SCA100263R1001 | 10 | 0.12 |
| 0, L1-N, L2-N, L3-N | | | | | | |
| Door mounted, round front ring | | | | | | |
| L3-L1, L2-L3, L1-L2, | 3 | 25 | ONV30XB | 1SCA022709R7120 | 10 | 0.15 |
| 0, L1-N, L2-N, L3-N | | | | | | |
| DIN-rail mounted | | | | | | |
| L3-L1, L2-L3, L1-L2, | 3 | 25 | ONV30M | 1SCA022549R9100 | 10 | 0.12 |
| 0, L1-N, L2-N, L3-N | | | | | | |
| 7 Positions, 3 phase to phase voltages for 2 circuits, with 0 position, step angle 45° | | | | | | |
| Door mounted, snap-on mounted handle | | | | | | |
| L3-L1, L2-L3, L1-L2, | 4 | 10 | OMV32PB | 1SCA022549R7740 | 10 | 0.14 |
| 0, L1-L2, L2-L3, L3-L1 | 4 | 25 | ONV32PB | 1SCA022549R7820 | 10 | 0.14 |



Packing sizes for 10 pcs: OM 130 x 100 x 120 [mm]
ON, OL40 250 x 100 x 110 [mm]



Ammeter switches

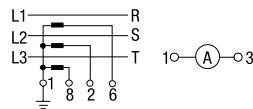
Black handle and front plate with position indication are included.
The type and the ordering number are for one piece.

| Function | Rated thermal current I_{th} [A] | Type | Order number | Delivery batch [pcs] | Weight/unit [kg] |
|--|------------------------------------|------------|-----------------|----------------------|------------------|
| For 3 current transformer circuits, with 0-position, step angle 90° | | | | | |
| Single pole | | | | | |
| Door mounted, snap-on mounted handle | | | | | |
| 0-1-2-3 | 10 | OMAU31PB | 1SCA022533R5410 | 10 | 0.12 |
| | 25 | ONAU31PB | 1SCA022533R5840 | 10 | 0.12 |
| Door mounted, screw mounted handle | | | | | |
| 0-1-2-3 | 25 | ONAU31RB | 1SCA100324R1001 | 10 | 0.12 |
| 0-1-2-3 | 40 | OL40AU31RB | 1SCA100322R1001 | 10 | 0.17 |
| Door mounted, round front ring | | | | | |
| 0-1-2-3 | 25 | ONAU31XB | 1SCA022709R7550 | 10 | 0.14 |
| DIN-rail mounted | | | | | |
| 0-1-2-3 | 25 | ONAU31M | 1SCA022549R9360 | 10 | 0.12 |
| 2 pole or direct measurement in 3 phases | | | | | |
| Door mounted, snap-on mounted handle | | | | | |
| 0-1-2-3 | 25 | ONAU32PB | 1SCA022558R4210 | 10 | 0.15 |

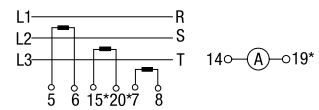
Volt-ammeter switches

Black handle and frontplate with position indication are included.
The type and the ordering number are for one piece.

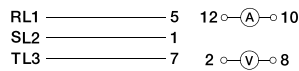
| Function | Rated thermal current I_{th} [A] | Type | Order number | Delivery batch [pcs] | Weight/unit [kg] |
|---|------------------------------------|----------|-----------------|----------------------|------------------|
| Measuring between phases and 3 current transformers with common pole, step angle 90° | | | | | |
| Door mounted, snap-on mounted handle | | | | | |
| OFF-1-2-3 | 25 | ONVA21PB | 1SCA022803R4170 | 10 | 0.17 |
| | 25 | ONAV12PB | 1SCA022803R4250 | 10 | 0.17 |



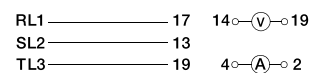
O_AU31_



O_AU32_



O_VA



O_AV

Packing sizes for 10 pcs: OM 130 x 100 x 120 [mm]
ON, OL40 250 x 100 x 110 [mm]

Binarycode switches

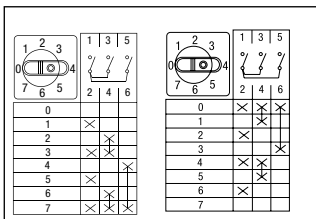
Black handle and front plate with position indication are included.
The type and the ordering number are for one piece.

| Function | Number of poles | Rated thermal current I_{th} [A] | Type | Order number | Delivery batch [pcs] | Weight/unit [kg] |
|----------|-----------------|------------------------------------|------|--------------|----------------------|------------------|
|----------|-----------------|------------------------------------|------|--------------|----------------------|------------------|

With 0-position, step angle 30°

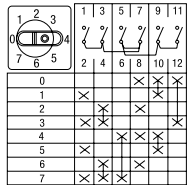
Door mounted, snap-on mounted handle

| | | | | | | |
|---------------------------|---|----|------------|-----------------|----|------|
| 0-1-2-3-4-5-6-7 | 1 | 25 | ONBC070PB | 1SCA022803R3360 | 10 | 0.05 |
| | 1 | 25 | ONBC071PB | 1SCA022803R3440 | 10 | 0.05 |
| | 2 | 25 | ONBC072PB | 1SCA022803R3520 | 10 | 0.13 |
| 0-1-2-3-4-5-6-7-8-9 | 1 | 25 | ONBC090PB | 1SCA022803R3610 | 10 | 0.05 |
| | 1 | 25 | ONBC091PB | 1SCA022803R3790 | 10 | 0.05 |
| | 2 | 25 | ONBC092PB | 1SCA022803R3870 | 10 | 0.14 |
| 0-1-2-3-4-5-6-7-8-9-10-11 | 1 | 25 | ONBC0110PB | 1SCA022803R3950 | 10 | 0.05 |
| | 2 | 25 | ONBC0112PB | 1SCA022803R4090 | 10 | 0.14 |

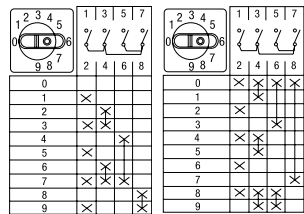


O_BC070_

O_BC071_

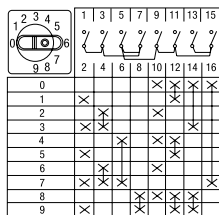


O_BC072_

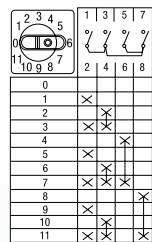


O_BC090_

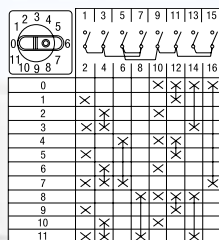
O_BC091_



O_BC092_

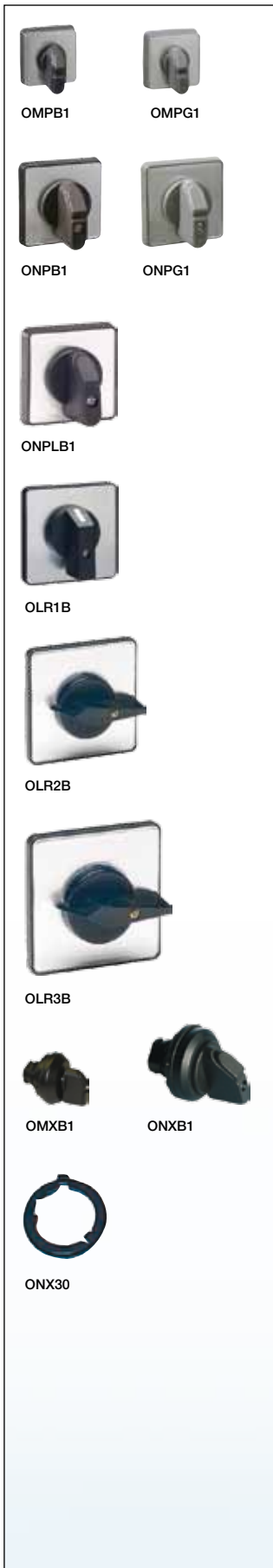


O_BC0110_



O_BC0112_

Packing sizes for 10 pcs: OM 130 x 100 x 120 [mm]
ON, OL40 250 x 100 x 110 [mm]



Handles

The type and the ordering number are for one piece.

| Colour | For cam switches | Type | Order number | Delivery batch [pcs] | Weight/unit [kg] |
|--------|------------------|------|--------------|----------------------|------------------|
|--------|------------------|------|--------------|----------------------|------------------|

Snap on handle with front plate without engraving

(The black handle is included in the standard delivery in types OM, ON, and OL40)

Size 30x30, 6 mm shaft

| | | | | | |
|------------|----|--------|-----------------|---|------|
| Black | OM | OMPB1 | 1SCA022553R7470 | 5 | 0.05 |
| Grey | OM | OMPG1 | 1SCA022553R8010 | 5 | 0.05 |
| Red | OM | OMPR1 | 1SCA022796R2830 | 5 | 0.05 |
| Red-yellow | OM | OMPRY1 | 1SCA022796R2910 | 5 | 0.05 |

Size 48x48, 6 mm shaft

| | | | | | |
|------------|-------------|--------|-----------------|---|------|
| Black | ON_PB, OL40 | ONPB1 | 1SCA022553R7550 | 5 | 0.08 |
| Grey | ON_PB, OL40 | ONPG1 | 1SCA022553R7630 | 5 | 0.08 |
| Red | ON_PB, OL40 | ONPR1 | 1SCA022796R3050 | 5 | 0.08 |
| Red-yellow | ON_PB, OL40 | ONPRY1 | 1SCA022796R3130 | 5 | 0.08 |

Snap on handle with large front plate without engraving

Size 64x64, 6 mm shaft

| | | | | | |
|------------|-------------|---------|-----------------|---|------|
| Black | ON_PB, OL40 | ONPLB1 | 1SCA022776R5680 | 5 | 0.10 |
| Grey | ON_PB, OL40 | ONPLG1 | 1SCA022776R5760 | 5 | 0.10 |
| Red | ON_PB, OL40 | ONPLR1 | 1SCA022776R5840 | 5 | 0.10 |
| Red-yellow | ON_PB, OL40 | ONPLRY1 | 1SCA022776R5920 | 5 | 0.10 |

Screw mounting handle with front plate without engraving

(The black handle is included in the standard delivery in types OL 80...200)

Size 64x64, 6 mm shaft

| | | | | | |
|-------|-------------|-------|-----------------|----|------|
| Black | OL63, OL80N | OLR1B | 1SCA111831R1001 | 10 | 0.10 |
| Grey | OL63, OL80N | OLR1G | 1SCA111833R1001 | 10 | 0.10 |
| Red | OL63, OL80N | OLR1R | 1SCA111834R1001 | 10 | 0.10 |

Size 90x90, 8 mm shaft

| | | | | | |
|-------|--------------|-------|-----------------|----|------|
| Black | OL125, OL160 | OLR2B | 1SCA022796R3720 | 10 | 0.10 |
| Grey | OL125, OL160 | OLR2G | 1SCA022796R3810 | 10 | 0.10 |
| Red | OL125, OL160 | OLR2R | 1SCA022796R3990 | 10 | 0.10 |

Size 130x130, 10 mm shaft

| | | | | | |
|-------|-------|-------|-----------------|----|------|
| Black | OL200 | OLR3B | 1SCA022796R4110 | 10 | 0.10 |
| Grey | OL200 | OLR3G | 1SCA022796R4290 | 10 | 0.10 |
| Red | OL200 | OLR3R | 1SCA022796R4370 | 10 | 0.10 |

Snap on handle with round escutcheon plate

| | | | | | |
|------------------|-------------|--------|-----------------|---|------|
| Black | OM | OMXB1 | 1SCA022629R7270 | 5 | 0.02 |
| Black, nose-type | OM | OMXNB1 | 1SCA022577R9810 | 5 | 0.02 |
| Black | ON_PB, OL40 | ONXB1 | 1SCA022629R7350 | 5 | 0.02 |

Adaptor ring

For fixing the snap-on handles in the 30 mm door drilling.

| | | | | | |
|-------|----|-------|-----------------|----|------|
| Black | ON | ONX30 | 1SCA022643R8510 | 10 | 0.01 |
|-------|----|-------|-----------------|----|------|

More cam switches with padlockable handles can be configured on Internet by the Camweb configurator tool.

Optional handles

The type and the ordering number are for one piece.

| Colour | For cam switches | Type | Order number | Delivery batch [pcs] | Weight/unit [kg] |
|--------|------------------|------|--------------|----------------------|------------------|
|--------|------------------|------|--------------|----------------------|------------------|

Low extended handle knob

Replaces the standard knob in handles ONP_ and ONPL_.

| | | | | | |
|-------|------------|-------|-----------------|---|------|
| Black | ON_, OL40_ | ONSB1 | 1SCA100878R1001 | 5 | 0.02 |
| Grey | ON_, OL40_ | ONSG1 | 1SCA100879R1001 | 5 | 0.02 |

Knob-pistol type handle, screw mounting

Suitable for 6 mm shaft, replaces the standard handle, length 32 mm.

| | | | | | |
|-------|---------------------------|----------|----------------|----|------|
| Black | ON_, OL40_, OL63_, OL80N_ | OLZ20RB | 1SCA112524R001 | 10 | 0.20 |
| Red | ON_, OL40_, OL63_, OL80N_ | OLZ20RRY | 1SCA112525R001 | 10 | 0.20 |

Pistol type handle, screw mounting

Suitable for 8 mm shaft, replaces the standard handle, length 70 mm.

| | | | | | |
|-------|--------------|--------|-----------------|---|------|
| Black | OL125, OL160 | OLZ8RB | 1SCA116858R1001 | 5 | 0.20 |
| Red | OL125, OL160 | OLZ8RR | 1SCA116859R1001 | 5 | 0.20 |

Suitable for 10 mm shaft, replaces the standard handle, length 130 mm.

| | | | | | |
|-------|-------|--------|-----------------|---|------|
| Black | OL200 | OLZ9RB | 1SCA116860R1001 | 5 | 0.30 |
| Red | OL200 | OLZ9RR | 1SCA116861R1001 | 5 | 0.30 |

Double lever handle, screw mounting

Suitable for 10 mm shaft, replaces the standard handle.

| | | | | | |
|-------|-------|--------|-----------------|---|------|
| Black | OL200 | OLZ3DB | 1SCA022796R4960 | 1 | 0.30 |
| Red | OL200 | OLZ3DR | 1SCA022796R5000 | 1 | 0.30 |

Padlockable optional handles

The type and the ordering number are for one piece.

| Colour | For cam switches | Type | Order number | Delivery batch [pcs] | Weight/unit [kg] |
|--------|------------------|------|--------------|----------------------|------------------|
|--------|------------------|------|--------------|----------------------|------------------|

Padlockable handles, optional extra for standard handle

The padlockable knob handle and the locking ring replace the handle knob of the standard handle.

Standard padlocking in the OFF-position at 9 o'clock. Padlocking in the ON-position (12 o'clock) by turning the control piece 180 degrees. Padlocking in both OFF-and ON-positions by removing a precut in the yellow locking ring.

Knob handle, for max 2 padlocks of 6 mm hasp diameter

| | | | | | |
|------------|-------------------|---------|-----------------|---|------|
| Black | ON_PB, ON_M, OL40 | ONZ20B | 1SCA022621R1810 | 5 | 0.06 |
| Red-yellow | ON_PB, ON_M, OL40 | ONZ20RY | 1SCA022621R1900 | 5 | 0.06 |

Knob pistol type handles with front plate without engraving, size 64x64, for max 3 padlocks of 6 mm hasp diameter, length 32 mm

Snap-on mounting handles (one-hole mounting)

| | | | | | |
|------------|------------------|----------|-----------------|----|-----|
| Black | ON_PL_, OL40_PL_ | OLZ20PB | 1SCA112522R1001 | 10 | 0.2 |
| Red-yellow | ON_PL_, OL40_PL_ | OLZ20PRY | 1SCA112523R1001 | 10 | 0.2 |

Screw mounting handles (four-hole mounting)

| | | | | | |
|------------|---------------------|----------|-----------------|----|-----|
| Black | ON_RL_, OL40...80N_ | OLZ20RB | 1SCA112524R1001 | 10 | 0.2 |
| Red-yellow | ON_RL_, OL40...80N_ | OLZ20RRY | 1SCA112525R1001 | 10 | 0.2 |



More cam switches with padlockable handles can be configured on Internet by the Camweb configurator tool.

Padlockable optional handles

The type and the ordering number are for one piece.

| Colour | For cam switches | Type | Order number | Delivery batch [pcs] | Weight/unit [kg] |
|--------|------------------|------|--------------|----------------------|------------------|
|--------|------------------|------|--------------|----------------------|------------------|

Round padlockable handles

For max 3 padlocks with max 8 mm hasp diameter. Locking position (O, OFF) 9 o'clock or 12 o'clock when rotating. More locking possibilities with programmable square handle type _ 5 _ can be specified by the Camweb configurator tool. The moving angle 90 degrees.

Snap on mounting handle

IP65, NEMA 4X outdoor, size 66x66, suitable for 6 mm shaft (one-hole mounting)

| | | | | | |
|------------|----------------|----------|-----------------|----|------|
| Black | ON_PB, OL40_PB | OZ331PB | 1SCA100657R1001 | 10 | 0.04 |
| Red-yellow | ON_PB, OL40_PB | OZ331PRY | 1SCA100664R1001 | 10 | 0.04 |

One hole on mounting handle with short shaft adaptor for low enclosures base mounting

IP65, NEMA 4X outdoor, size 66x66, suitable for 6 mm shaft

| | | | | | |
|------------|-------------------------|-----------|-----------------|----|------|
| Black | ON_, OL40_B, OT16...80F | OZ331SPB | 1SCA112983R1001 | 10 | 0.05 |
| Red-yellow | ON_, OL40_B, OT16...80F | OZ331SPRY | 1SCA113097R1001 | 10 | 0.05 |

Snap on mounting handle for increased protection

IP67, IP69K, NEMA 4X outdoor, size 66x66, suitable for 6 mm shaft (one-hole mounting)

| | | | | | |
|------------|----------------|------------|-----------------|----|------|
| Black | ON_PB, OL40_PB | OZ331P67B | 1SCA111427R1001 | 10 | 0.04 |
| Red-yellow | ON_PB, OL40_PB | OZ331P67RY | 1SCA111429R1001 | 10 | 0.04 |

Snap on mounting handle with door coupling

Door coupling in ON-position without by-passing, IP65, NEMA 4X outdoor, size 66x66, suitable for 6 mm shaft (one-hole mounting), for base mounting only

| | | | | | |
|------------|----------------|----------|-----------------|----|------|
| Black | ON_PB, OL40_PB | OZ371PB | 1SCA111684R1001 | 10 | 0.05 |
| Red-yellow | ON_PB, OL40_PB | OZ371PRY | 1SCA111685R1001 | 10 | 0.05 |

Screw mounting handles

IP65, NEMA 4X outdoor, size 66x66, suitable for 6 mm shaft (four-hole mounting)

| | | | | | |
|------------|-----------------------------|----------|-----------------|----|------|
| Black | ON_RB, OL40_RB, OL63, OL80N | OZ331RB | 1SCA100702R1001 | 10 | 0.04 |
| Red-yellow | ON_RB, OL40_RB, OL63, OL80N | OZ331RRY | 1SCA100678R1001 | 10 | 0.04 |

IP65, NEMA 4X outdoor, size 90x90, suitable for 8 mm shaft (four-hole mounting)

| | | | | | |
|------------|--------------|-----------|-----------------|----|------|
| Black | OL125, OL160 | OLZ332RB | 1SCA022794R7790 | 10 | 0.10 |
| Red-yellow | OL125, OL160 | OLZ332RRY | 1SCA022794R7870 | 10 | 0.10 |

Shaft guide for OZ371P_ handle

For base mounting switches with 6 mm shaft

| | | | | | |
|-------|----------------|-------|-----------------|----|------|
| Black | ON_PB, OL40_PB | OZG71 | 1SCA111686R1001 | 10 | 0.05 |
|-------|----------------|-------|-----------------|----|------|

Padlockable pistol type handles

Pistol type handle with front plate without engraving, length 70 mm, size 90x90, for max 3 padlocks of 6 mm hasp diameter, suitable for 8 mm shaft. Padlocking by the locking ring every 60 degrees or 90 degrees.

| | | | | | |
|------------|-------------|----------|-----------------|---|-----|
| Black | OL125...160 | OLZ208RB | 1SCA116862R1001 | 5 | 0.3 |
| Red-yellow | OL125...160 | OLZ208RR | 1SCA116863R1001 | 5 | 0.3 |

Pistol type handle, length 70 mm, for max 3 padlocks of 6 mm hasp diameter, suitable for 10 mm shaft. Padlocking by the locking ring every 60 degrees or 90 degrees. Replaces the standard handle on the 130x130 front plate.

| | | | | | |
|------------|-------|-----------|-----------------|---|------|
| Black | OL200 | OLZ2010RB | 1SCA116864R1001 | 5 | 0.45 |
| Red-yellow | OL200 | OLZ2010RR | 1SCA116866R1001 | 5 | 0.45 |



OZ331_B



OZ331_RY



OZ371PB



OLZ332RB



OLZ332RRY



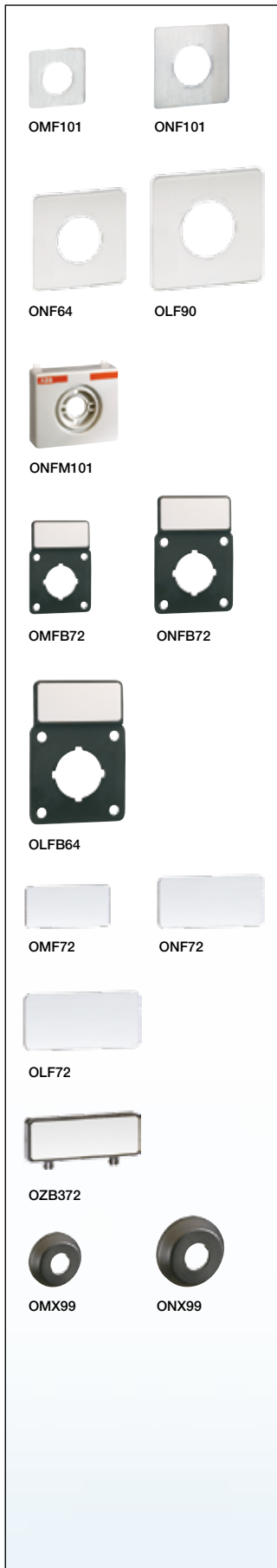
OZG71



OLZ208RB



OLZ2010RB



Front plates

The type and the ordering number are for one piece.

| Colour | For cam switches/ handle size | Type | Order number | Delivery batch [pcs] | Weight/ unit [kg] |
|--------|----------------------------------|------|--------------|----------------------------|-------------------------|
|--------|----------------------------------|------|--------------|----------------------------|-------------------------|

Front plates, without engraving

The text can be specified with Camweb tool.

Size 30x30

| | | | | | |
|--------|--------------|---------|-----------------|----|-------|
| Silver | OM_ / OMP_1 | OMF101 | 1SCA022540R4590 | 10 | 0.003 |
| Yellow | OM_ / OMPR_1 | OMFY101 | 1SCA022796R3210 | 10 | 0.003 |

Size 44x44

| | | | | | |
|--------|-------------------------|---------|-----------------|----|-------|
| Silver | ON_P_, OL40_P_ / ONP_1 | ONF101 | 1SCA022540R6290 | 10 | 0.003 |
| Yellow | ON_P_, OL40_P_ / ONPR_1 | ONFY101 | 1SCA022716R4250 | 10 | 0.003 |

Size 46x46

| | | | | | |
|--------|----------------|----------|-----------------|----|-------|
| Silver | ON_R_, OL40_R_ | ONRF101 | 1SCA106725R1001 | 10 | 0.003 |
| Yellow | ON_R_, OL40_R_ | ONRFY101 | 1SCA106726R1001 | 10 | 0.003 |

Size 64x64

| | | | | | |
|--------|---|--------|-----------------|----|-------|
| Silver | ON_L_, OL40_L_ ¹⁾ , OL40...80N_ / ONPL_1 | OLF64 | 1SCA022798R6260 | 10 | 0.003 |
| Yellow | ON_L_, OL40_L_ ¹⁾ , OL40...80N_ / ONPLR_1 | OLFY64 | 1SCA022798R6340 | 10 | 0.003 |

Size 90x90

| | | | | | |
|--------|----------------------|--------|-----------------|----|------|
| Silver | OL125, OL160 / OLR2_ | OLF90 | 1SCA022796R5180 | 10 | 0.01 |
| Yellow | OL125, OL160 / OLR2_ | OLFY90 | 1SCA022796R5260 | 10 | 0.01 |

Size 130x130

| | | | | | |
|--------|----------------|---------|-----------------|----|------|
| Silver | OL200 / OLR3_ | OLF130 | 1SCA022796R5420 | 10 | 0.01 |
| Yellow | OL200 / OLR3R_ | OLFY130 | 1SCA022796R5340 | 10 | 0.01 |

Size H=45mm, W=54mm

| | | | | | |
|------|------|---------|-----------------|----|------|
| Grey | ON_M | ONFM101 | 1SCA022553R8520 | 10 | 0.01 |
|------|------|---------|-----------------|----|------|

Additional lettering plates with frame without engraving for standard handles

Including the lettering plate and the frame. The text can be specified with Camweb tool.

Size 30x30

| | | | | | |
|-------------|----|--------|-----------------|---|------|
| Black frame | OM | OMFB72 | 1SCA022555R4990 | 5 | 0.01 |
| Grey frame | OM | OMFG72 | 1SCA022556R1850 | 5 | 0.01 |

Size 48x48

| | | | | | |
|-------------|--------------|--------|-----------------|---|------|
| Black frame | ON_PB, OL 40 | ONFB72 | 1SCA022555R5020 | 5 | 0.01 |
| Grey frame | ON_PB, OL 40 | ONFG72 | 1SCA022556R1930 | 5 | 0.01 |

Size 64x64

| | | | | | |
|-------------|---|--------|-----------------|----|------|
| Black frame | ON_PB, OL 40...80N, ON_L_, OL40_L_ ¹⁾ | OLFB64 | 1SCA022796R3300 | 10 | 0.01 |
| Grey frame | ON_PB, OL 40...80N, ON_L_, OL40_L_ ¹⁾ | OLFG64 | 1SCA022796R3480 | 10 | 0.01 |

Lettering plates, brushed aluminium, without frame

Without engraving. The text can be specified with Camweb tool.

| | | | | | |
|----------|--|-------|-----------------|---|-------|
| Width 30 | OM | OMF72 | 1SCA111687R1001 | 5 | 0.003 |
| Width 48 | ON, OL 40 | ONF72 | 1SCA111688R1001 | 5 | 0.003 |
| Width 64 | ON, OL 40...80N, ON_L_, OL40_L_ ¹⁾ | OLF72 | 1SCA111689R1001 | 5 | 0.003 |

Lettering plates for round padlockable handle types

Including the lettering plate and the frame

| | | | | |
|---------------------|--------|-----------------|---|-------|
| For OZ33_ and OZ371 | OZB372 | 1SCA113098R1001 | 5 | 0.006 |
|---------------------|--------|-----------------|---|-------|

Front ring

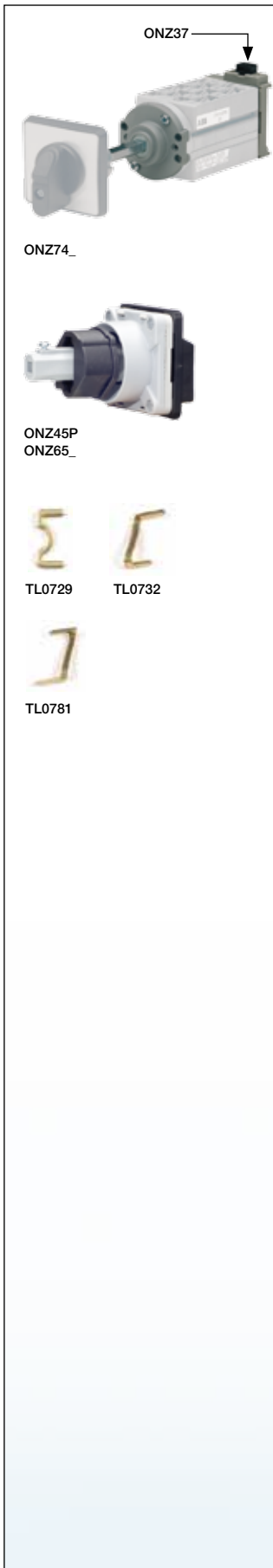
| | | | | | |
|-------|-------------|-------|-----------------|----|------|
| Black | OM | OMX99 | 1SCA022553R8100 | 10 | 0.01 |
| Black | ON_PB, OL40 | ONX99 | 1SCA022553R7710 | 10 | 0.01 |

Shaft sealing

To prevent dust and moisture penetrating along the switch shaft when no handle is installed. Protection to IP65 from the front. Door drilling 16...17 mm.

| | | | | |
|----------------|-------|-----------------|----|------|
| ON, OL40...80N | ONZ11 | 1SCA022807R0300 | 10 | 0.01 |
| OL 125...160 | OLZ12 | 1SCA022807R0560 | 10 | 0.01 |

¹⁾ The type generated by Camweb configuration tool for the cam switch with large front plate, for example the cam switch type ON5PB is wanted with special size handle 64x64, the Camweb will generate the new cam switch type ON5PLB.



Other accessories

The type and the ordering number are for one piece.

Base mounting kit

Includes base for DIN-rail mounting, shaft adaptor and 200 mm shaft for cutting up to 250 mm panel depth.

| Depth [mm] | For cam switches | Type | Order number | Delivery batch [pcs] | Weight/unit [kg] |
|------------|------------------|-------|-----------------|----------------------|------------------|
| 250 | ON | ONZ74 | 1SCA022757R3510 | 1 | 0.05 |

DIN-rail mounting plate

Includes base for DIN-rail mounting.

| | | | | |
|----------|-------|-----------------|---|------|
| ON, OL40 | ONZ37 | 1SCA022789R8810 | 1 | 0.02 |
|----------|-------|-----------------|---|------|

Door coupling kits for base mounting switches

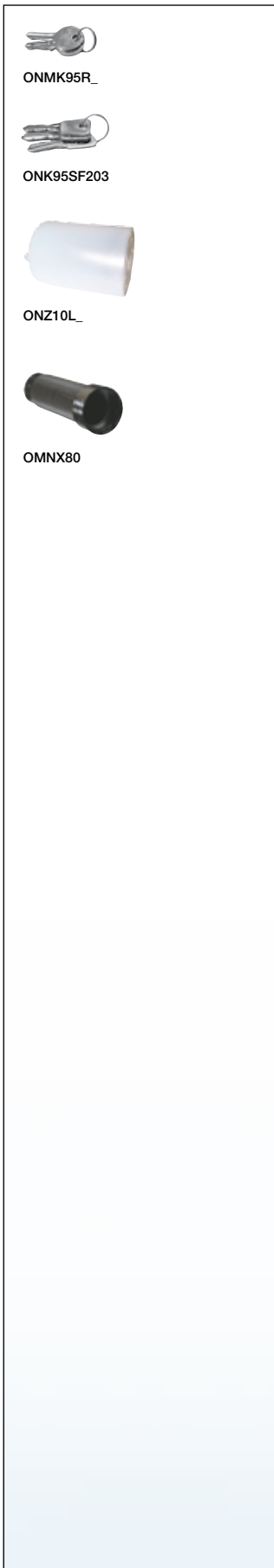
REMARK: Round padlockable handle with door coupling (the complete package), see page 35.

| | | | | |
|----------------|--------|-----------------|---|------|
| ON, OL40...80N | ONZ45P | 1SCA022819R5850 | 1 | 0.01 |
| OL125...160 | OLZ652 | 1SCA022819R5930 | 1 | 0.02 |
| OL200 | OLZ653 | 1SCA022819R6070 | 1 | 0.02 |

Chamber to chamber connection jumpers

Provide IP20 protection with ON_.

| Jumper shape | For cam switches | Type | Order number | Delivery batch [pcs] | Weight/unit [kg] |
|------------------------------------|------------------|---------|-----------------|----------------------|------------------|
| M -shape, axial interchamber | ON_ | TL.0729 | 1SCA022704R2310 | 50 | 0.01 |
| Z -shape, cross-axial interchamber | ON_ | TL.0732 | 1SCA022704R2220 | 50 | 0.01 |
| S -shape, cross-axial interchamber | ON_ | TL.0781 | 1SCA022704R2140 | 50 | 0.01 |



Other accessories

The type and the ordering number are for one piece.

Spare key

The key number has to be mentioned when ordering. For key-operated cam switches.

| Number of keys included | For cam switches/ standard key number ¹⁾ | Type | Order number | Delivery batch [pcs] | Weight/ unit [kg] |
|-------------------------|---|------------|-----------------|----------------------|-------------------|
| 2 pcs | ON, OL/SF203 | ONK95SF203 | 1SCA116867R1001 | 2 | 0.01 |
| 2 pcs | OM, ON, OL/R405 | ONMK95R405 | 1SCA116868R1001 | 2 | 0.01 |
| 2 pcs | OM, ON, OL/R455 | ONMK95R455 | 1SCA116869R1001 | 2 | 0.01 |

Protective rear cover

Transparent, IP 42 protection

| Number of chambers | Number of contacts | For cam switches | Type | Order number | Delivery batch [pcs] | Weight/ unit [kg] |
|--------------------|--------------------|------------------|-----------|-----------------|----------------------|-------------------|
| 1-2 | 2-4 | ON | ONZ10L2 | 1SCA022621R1570 | 1 | 0.02 |
| 3-4 | 6-8 | ON | ONZ10L4 | 1SCA022621R1650 | 1 | 0.04 |
| 5-6 | 10-12 | ON | ONZ10L6 | 1SCA022621R1730 | 1 | 0.06 |
| 2 | | OL40 | OLZ401L2 | 1SCA022805R9910 | 1 | 0.05 |
| 4 | | OL40 | OLZ401L4 | 1SCA022806R0090 | 1 | 0.07 |
| 6 | | OL40 | OLZ401L6 | 1SCA022806R0170 | 1 | 0.10 |
| 2 | | OL63...160 | OLZ1601L2 | 1SCA022806R0250 | 1 | 0.10 |
| 4 | | OL63...160 | OLZ1601L4 | 1SCA022806R0330 | 1 | 0.15 |
| 6 | | OL63...160 | OLZ1601L6 | 1SCA022806R0410 | 1 | 0.20 |
| 2 | | OL200 | OLZ63D34 | 1SCA022785R6720 | 1 | 0.15 |
| 4 | | OL200 | OLZ63D36 | 1SCA022785R6810 | 1 | 0.20 |
| 6 | | OL200 | OLZ63D38 | 1SCA022785R6990 | 1 | 0.25 |

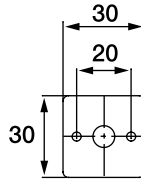
Nut spanner tool

For proper tightening the nut of snap-on mounted handle

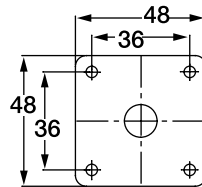
| Colour | For cam switches | Type | Order number | Delivery batch [pcs] | Weight/ unit [kg] |
|--------|------------------|--------|-----------------|----------------------|-------------------|
| Black | OM, ON, OL40_P | OMNX80 | 1SCA022553R8440 | 1 | 0.02 |

¹⁾ Other available key numbers, see Camweb

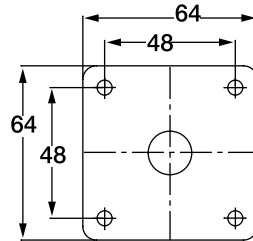
Front plates, sizes and door drillings



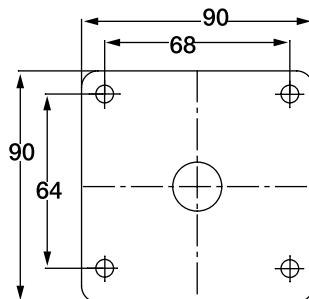
Size 30x30
OM
Shaft 6 mm



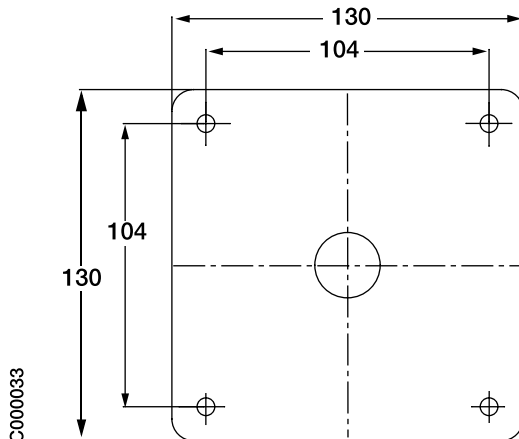
Size 0
Size 48x48
ON
OL 40
Shaft 6 mm



Size 1
Size 64x64
ON
OL 40
OL 63
OL 80N
Shaft 6 mm



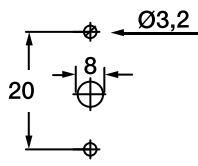
Size 2
Size 90x90
OL 125...160
Shaft 8 mm, 10 mm



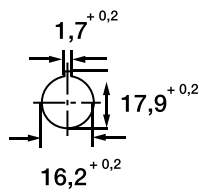
Size 3
Size 130x130
OL 200
Shaft 10 mm

C000033

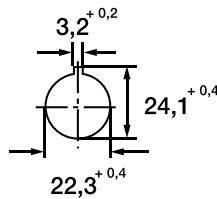
OM



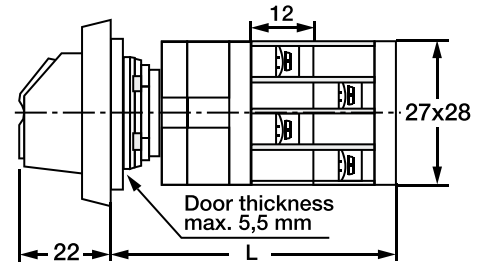
R-type



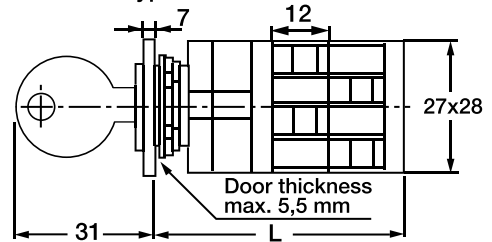
P, K and X-type



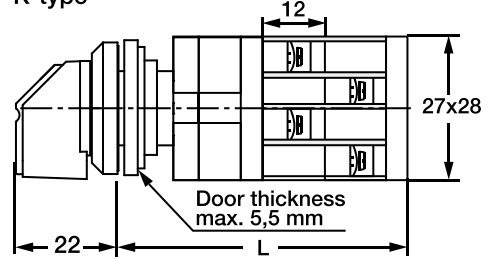
P, K and X-type



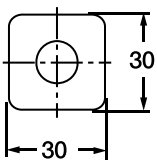
P and R-type



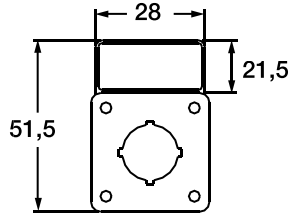
K-type



X-type



P, R and K-type

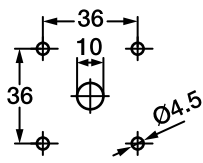


P, R and K-type

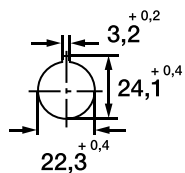
KE00033

| | | Number of contact chambers | | | | | | | |
|---------------------------|---|----------------------------|----|----|----|----|-----|-----|-----|
| | | 1 | 2 | 3 | 4 | 5 | 6 | 7 | 8 |
| Snap-on mounting (P type) | L | 45 | 57 | 69 | 81 | 93 | 105 | 117 | 129 |
| Screw mounting (R type) | L | 33 | 45 | 57 | 69 | 81 | 93 | 105 | 117 |
| Key operated (K-type) | L | 45 | 57 | 69 | 81 | 93 | 105 | 117 | 129 |
| Round front ring (X-type) | L | 45 | 57 | 69 | 81 | 93 | 105 | 117 | 129 |

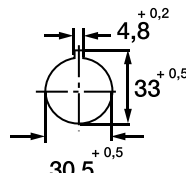
ON



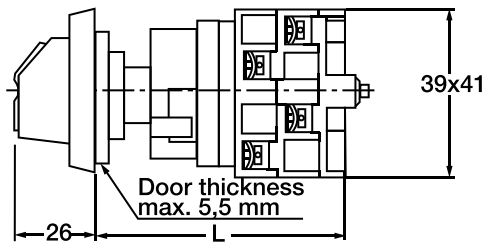
R-type



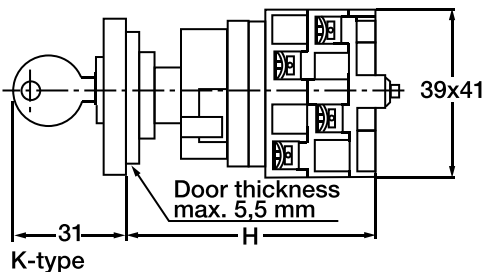
P, K and X-type



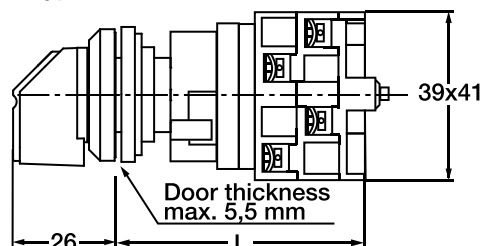
P, K and X-type



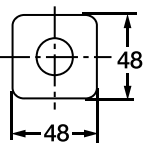
P and R-type



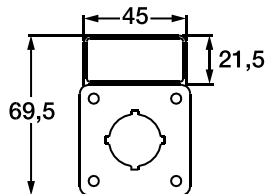
K-type



X-type



P, R and K-type



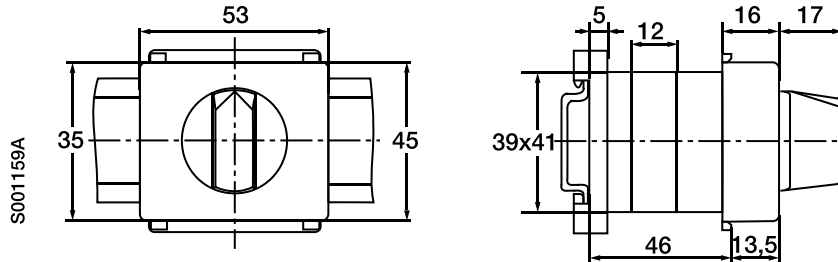
P, R and K-type

KE00034

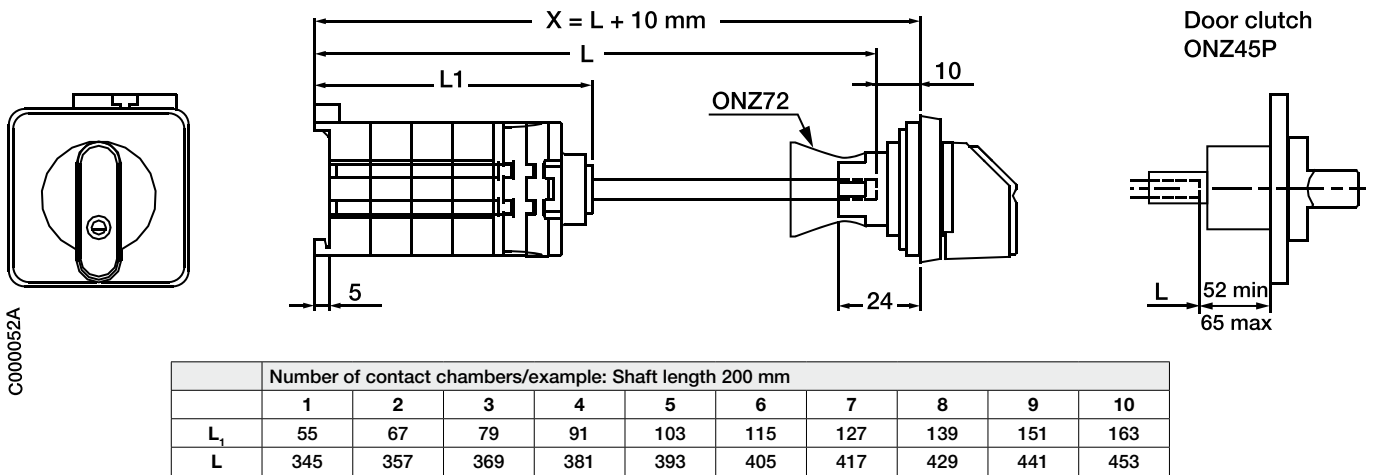
| | | Number of contact chambers ¹⁾ | | | | | | | | | |
|---------------------------|---|--|----|----|----|-----|-----|-----|-----|-----|-----|
| | | 1 | 2 | 3 | 4 | 5 | 6 | 7 | 8 | 9 | 10 |
| Snap-on mounting (P-type) | L | 54 | 66 | 78 | 90 | 102 | 114 | 126 | 138 | 150 | 162 |
| Screw mounting (R-type) | L | 34 | 46 | 58 | 70 | 82 | 94 | 106 | 118 | 130 | 142 |
| Key operated (K-type) | H | 62 | 74 | 86 | 98 | 110 | 122 | 134 | 146 | 159 | 171 |
| Round front ring (X-type) | L | 54 | 66 | 78 | 90 | 102 | 114 | 126 | 138 | 150 | 162 |

¹⁾ Further chambers add 12 mm per chamber

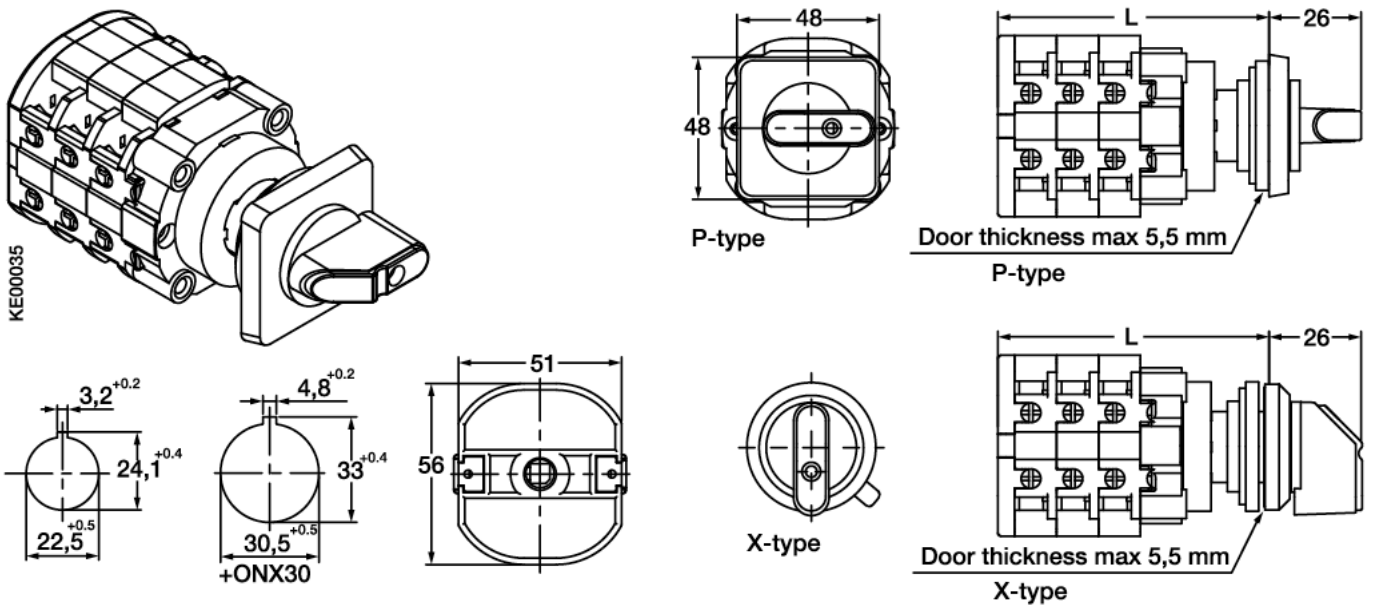
ON_M



ON with base mounting, type B - to be specified by Camweb configurator



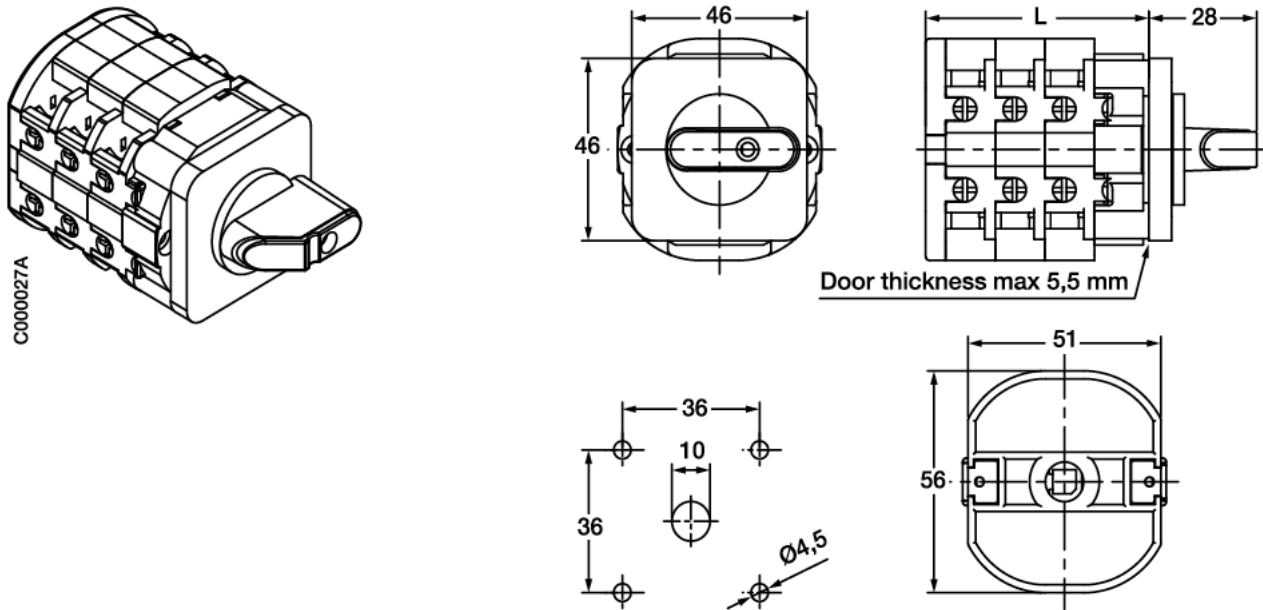
OL40, door mounted with snap-on mounting handle, type P , PL and round front ring, type X



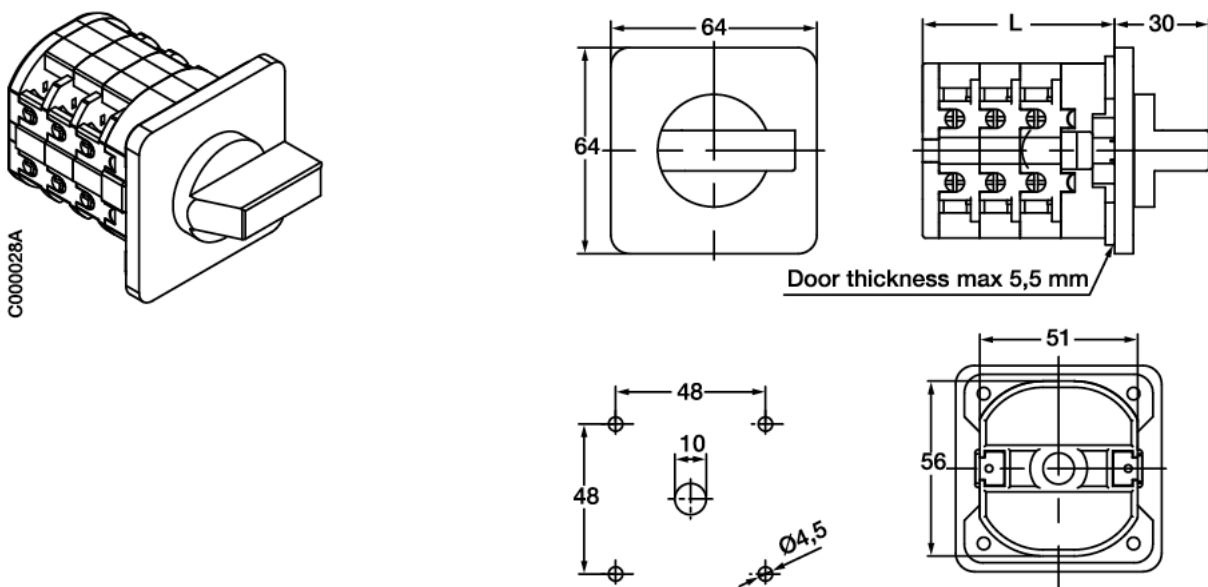
| | Number of contact chambers ¹⁾ | | | | | | | | | |
|-----|--|----|----|----|-----|-----|-----|-----|-----|-----|
| L | 59 | 72 | 85 | 98 | 111 | 124 | 137 | 150 | 163 | 176 |

¹⁾ Further chambers add 13 mm per chamber

OL40, door mounted with screw mounting handle, type **_R_**, front plate size 48x48



OL40, door mounted with screw mounting handle, type **_RL_**, front plate size 64x64
- to be specified by Camweb configurator

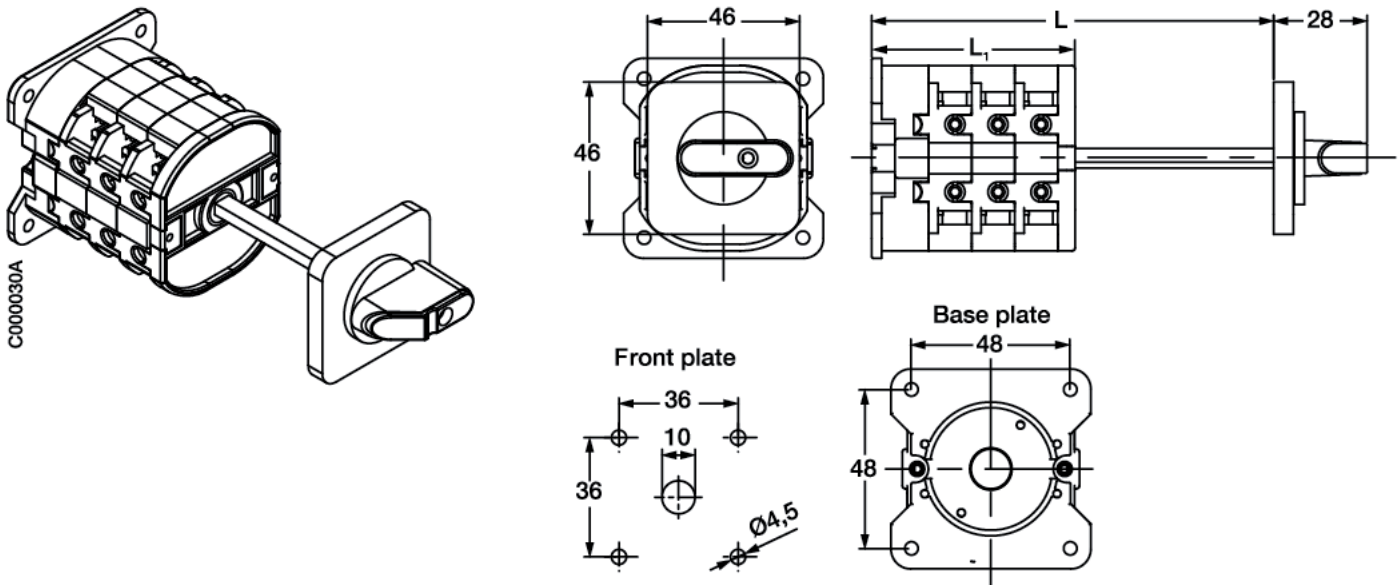


| | Number of contact chambers | | | | | | | | | |
|---|----------------------------|----|----|----|----|-----|-----|-----|-----|-----|
| | 1 | 2 | 3 | 4 | 5 | 6 | 7 | 8 | 9 | 10 |
| L | 39 | 52 | 65 | 78 | 91 | 104 | 117 | 130 | 143 | 156 |



Rotary cam switches Dimension drawings, OL40

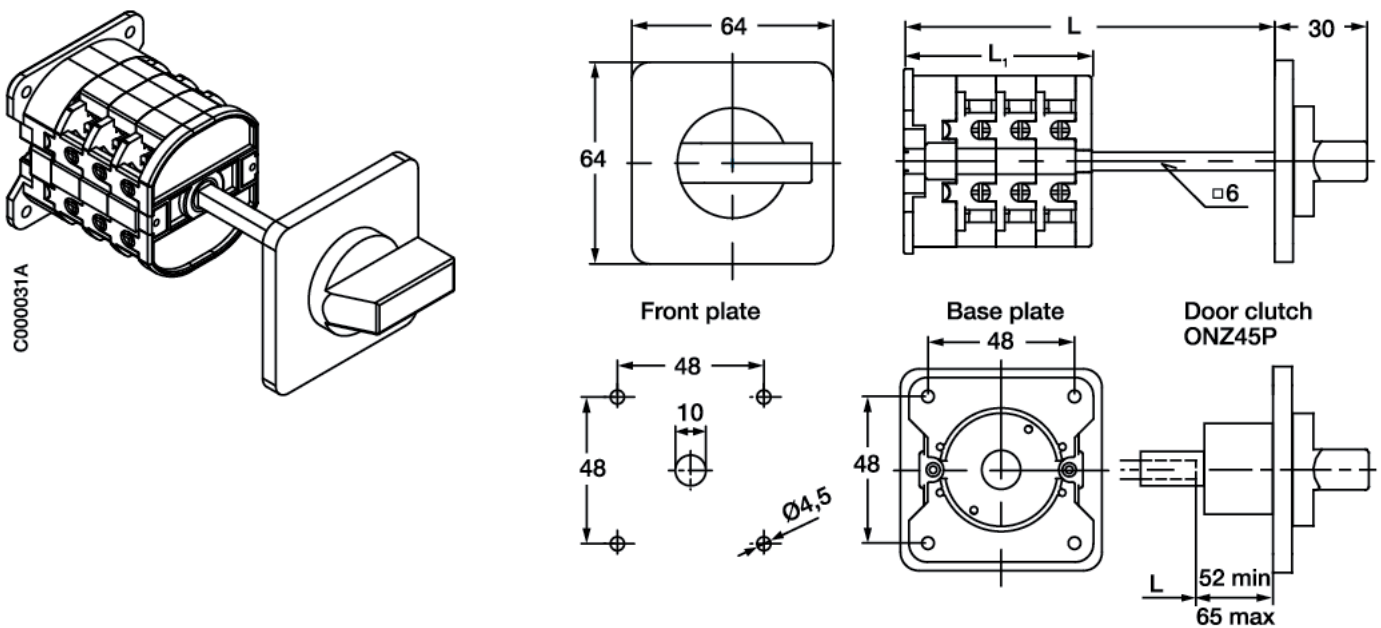
OL40, base mounted, front plate size 48x48 - to be specified by Camweb configurator



C000030A

| | Number of contact chambers/example: shaft length 200 mm | | | | | | | | | |
|----------------|---|-----|-----|-----|-----|-----|-----|-----|-----|-----|
| | 1 | 2 | 3 | 4 | 5 | 6 | 7 | 8 | 9 | 10 |
| L ₁ | 36 | 49 | 62 | 75 | 88 | 101 | 114 | 127 | 140 | 153 |
| L | 237 | 249 | 262 | 275 | 288 | 301 | 314 | 327 | 340 | 353 |

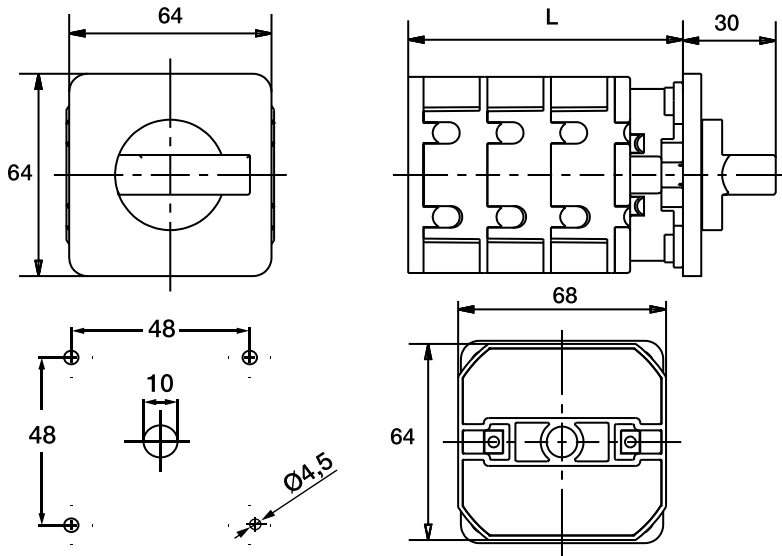
OL40, base mounted, front plate size 64x64 - to be specified by Camweb configurator



C000031A

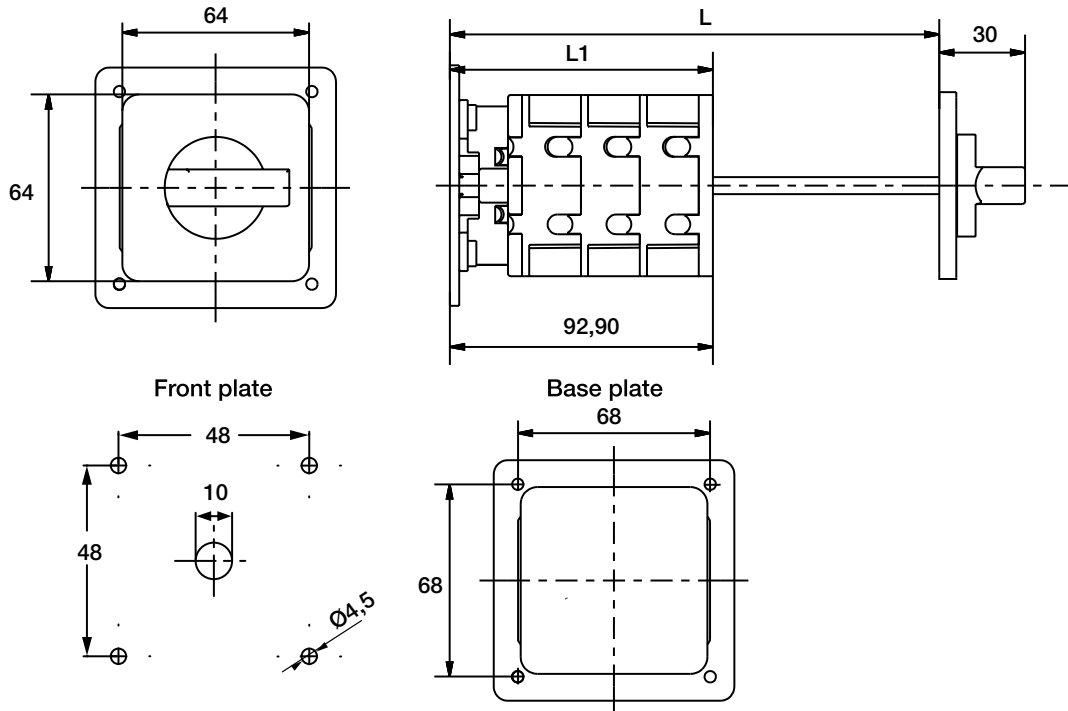
| | Number of contact chambers/example: shaft length 200 mm | | | | | | | | | |
|----------------|---|-----|-----|-----|-----|-----|-----|-----|-----|-----|
| | 1 | 2 | 3 | 4 | 5 | 6 | 7 | 8 | 9 | 10 |
| L ₁ | 37 | 49 | 62 | 75 | 88 | 101 | 114 | 127 | 140 | 153 |
| L | 237 | 249 | 262 | 275 | 288 | 301 | 314 | 327 | 340 | 353 |

OL63, OL80N door mounted



| | | Number of contact chambers | | | | | | | | | |
|--------|------|----------------------------|------|----|-------|-----|-------|-----|-------|-----|-------|
| | | 1 | 2 | 3 | 4 | 5 | 6 | 7 | 8 | 9 | 10 |
| M04000 | L mm | 49 | 69,5 | 90 | 110,5 | 131 | 151,5 | 172 | 192,5 | 213 | 233,5 |

OL63, OL80N base mounted



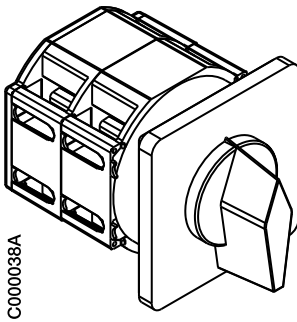
| | | Number of contact chambers | | | | | | | | | |
|--------|-------|----------------------------|-------|-----|-------|-----|-------|-----|-------|-----|-------|
| | | 1 | 2 | 3 | 4 | 5 | 6 | 7 | 8 | 9 | 10 |
| M04001 | L1 mm | 52 | 72,5 | 93 | 113,5 | 134 | 154,5 | 175 | 195,5 | 216 | 236,5 |
| | L mm | 252 | 272,5 | 293 | 313,5 | 334 | 354,5 | 375 | 395,5 | 416 | 436,5 |



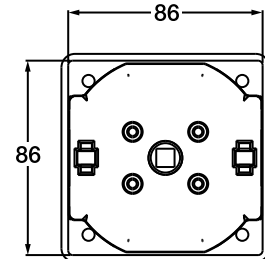
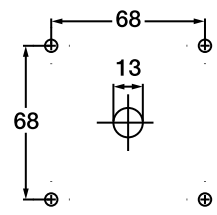
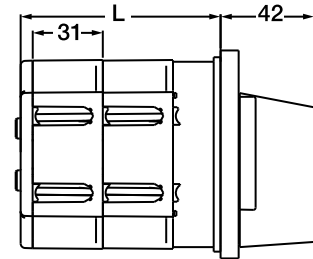
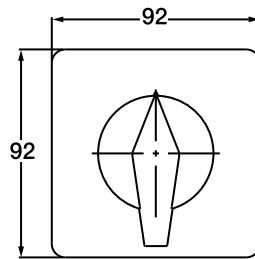
Rotary cam switches

Dimension drawings, OL125 and OL160

OL125, OL160 door mounted

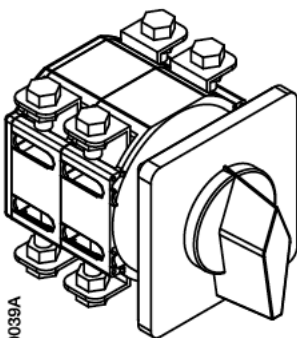


C000038A

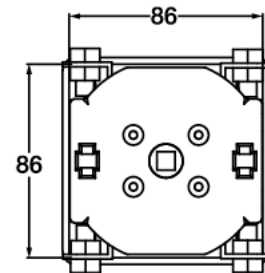
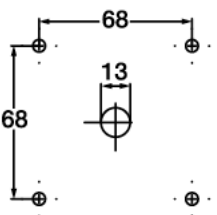
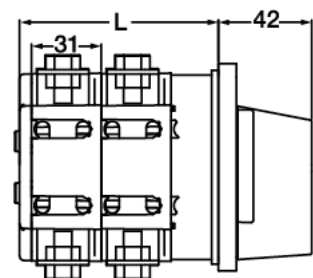
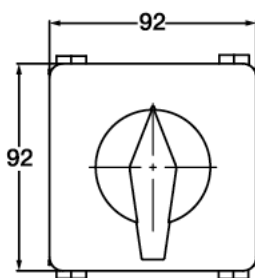


| | Number of contact chambers | | | | | | | | | |
|---|----------------------------|----|-----|-----|-----|-----|-----|-----|-----|-----|
| | 1 | 2 | 3 | 4 | 5 | 6 | 7 | 8 | 9 | 10 |
| L | 66 | 97 | 128 | 159 | 190 | 221 | 252 | 283 | 314 | 345 |

OL125, OL160 door mounted, lug terminals - to be specified by Camweb configurator



C000039A

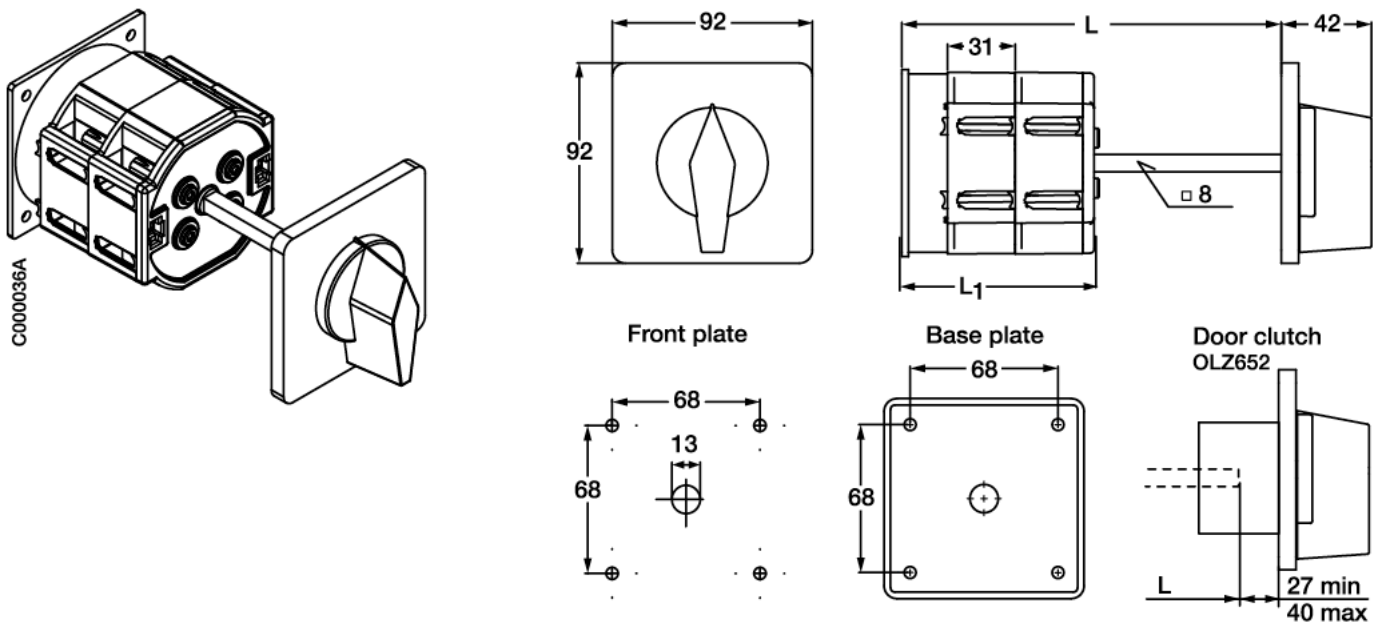


| | Number of contact chambers | | | | | | | | | |
|---|----------------------------|----|-----|-----|-----|-----|-----|-----|-----|-----|
| | 1 | 2 | 3 | 4 | 5 | 6 | 7 | 8 | 9 | 10 |
| L | 66 | 97 | 128 | 159 | 190 | 221 | 252 | 283 | 314 | 345 |

Rotary cam switches

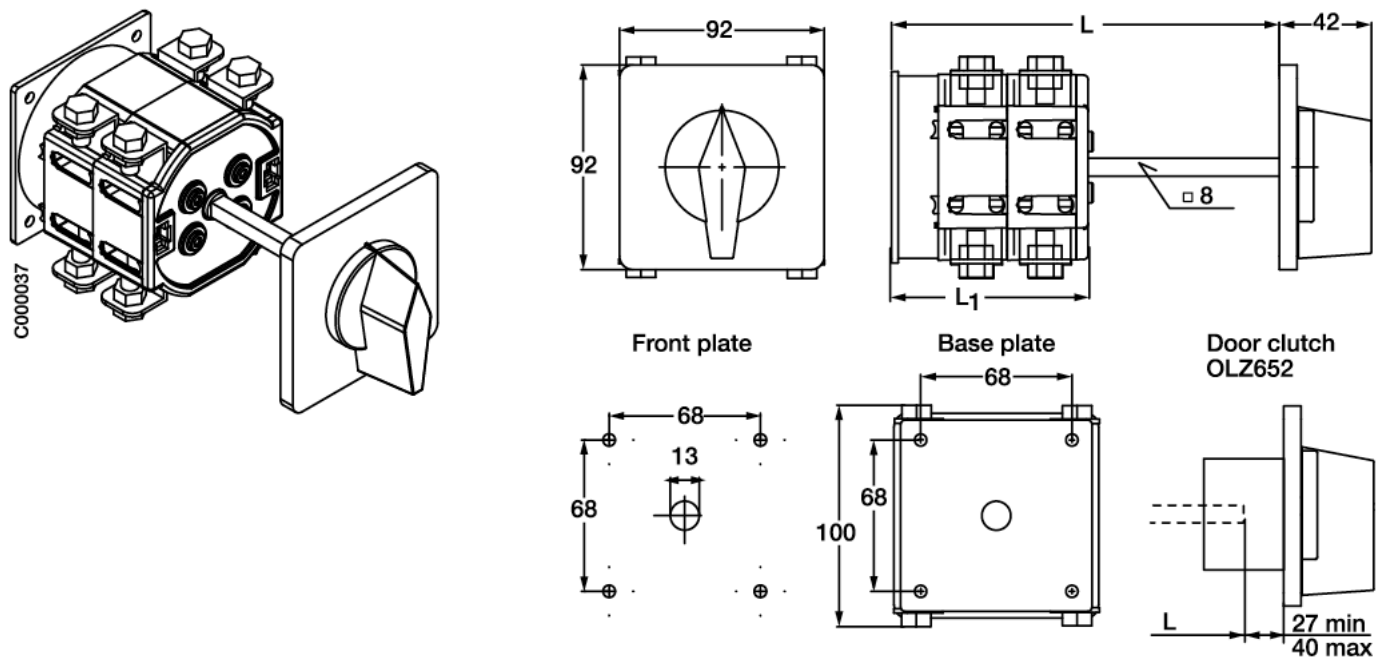
Dimension drawings, OL80, OL125 and OL160

OL125, OL160 base mounted - to be specified by Camweb configurator



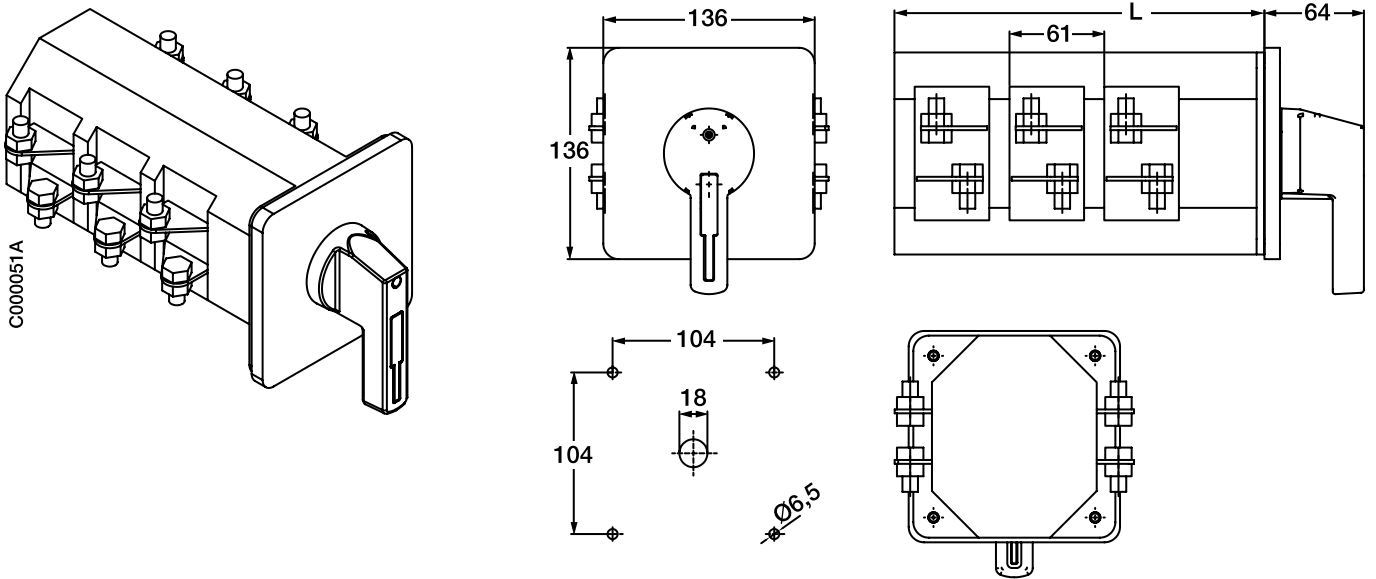
| | Number of contact chambers/Shaft length 100 mm | | | | | | | | | |
|----------------|--|-----|-----|-----|-----|-----|-----|-----|-----|-----|
| | 1 | 2 | 3 | 4 | 5 | 6 | 7 | 8 | 9 | 10 |
| L ₁ | 65 | 96 | 127 | 158 | 189 | 220 | 251 | 282 | 313 | 344 |
| L | 165 | 196 | 227 | 258 | 289 | 320 | 351 | 382 | 413 | 444 |

OL125, OL160 base mounted, lug terminals - to be specified by Camweb configurator



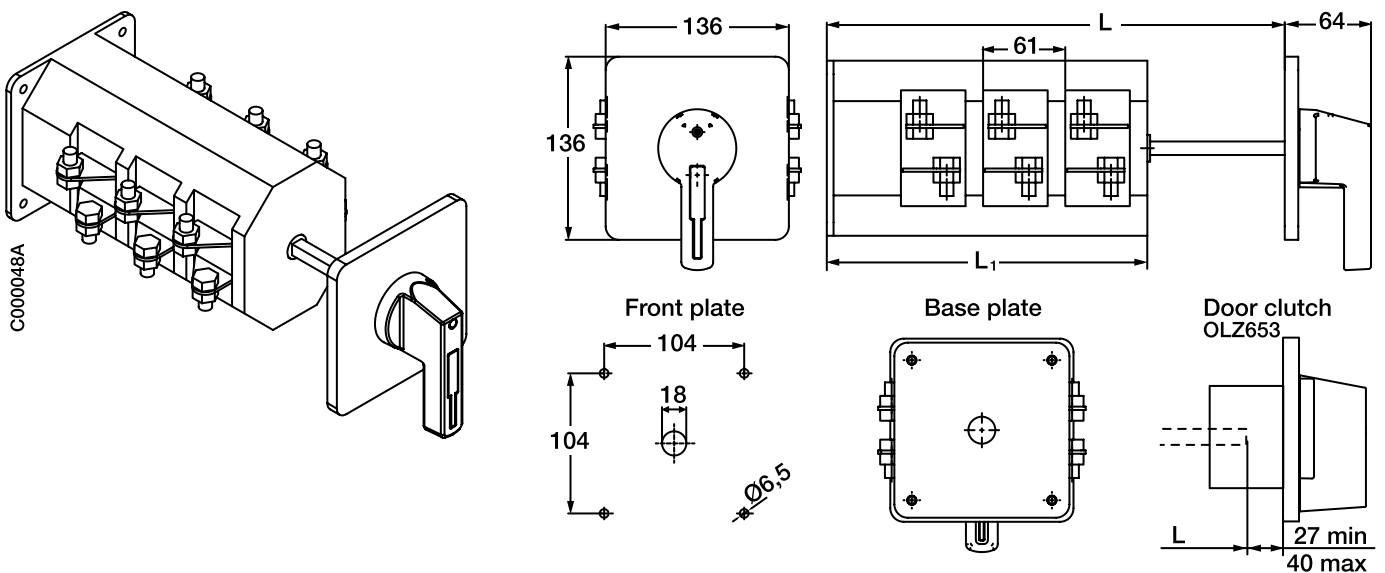
| | Number of contact chambers/Shaft length 100 mm | | | | | | | | | |
|----------------|--|-----|-----|-----|-----|-----|-----|-----|-----|-----|
| | 1 | 2 | 3 | 4 | 5 | 6 | 7 | 8 | 9 | 10 |
| L ₁ | 65 | 96 | 127 | 158 | 189 | 220 | 251 | 282 | 313 | 344 |
| L | 165 | 196 | 227 | 258 | 289 | 320 | 351 | 382 | 413 | 444 |

OL200 door mounted



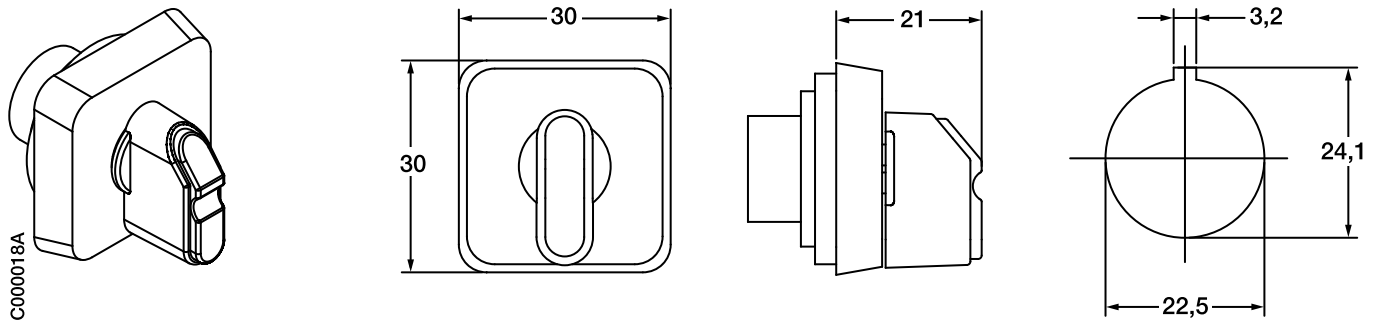
| | Number of contact chambers | | | | | | | | | |
|---|----------------------------|-----|-----|-----|-----|-----|-----|-----|-----|-----|
| | 1 | 2 | 3 | 4 | 5 | 6 | 7 | 8 | 9 | 10 |
| L | 120 | 181 | 242 | 303 | 364 | 425 | 486 | 547 | 608 | 669 |

OL200 base mounted - to be specified by Camweb configurator

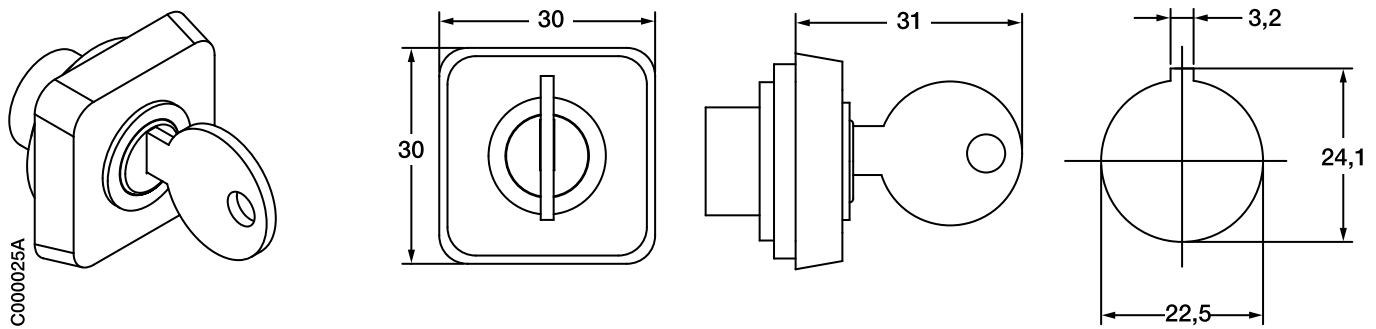


| | Number of contact chambers/example: Shaft length 100 mm | | | | | | | | | |
|----------------|---|-----|-----|-----|-----|-----|-----|-----|-----|-----|
| | 1 | 2 | 3 | 4 | 5 | 6 | 7 | 8 | 9 | 10 |
| L ₁ | 120 | 181 | 242 | 303 | 364 | 425 | 486 | 547 | 608 | 669 |
| L | 220 | 281 | 342 | 403 | 464 | 525 | 586 | 647 | 708 | 769 |

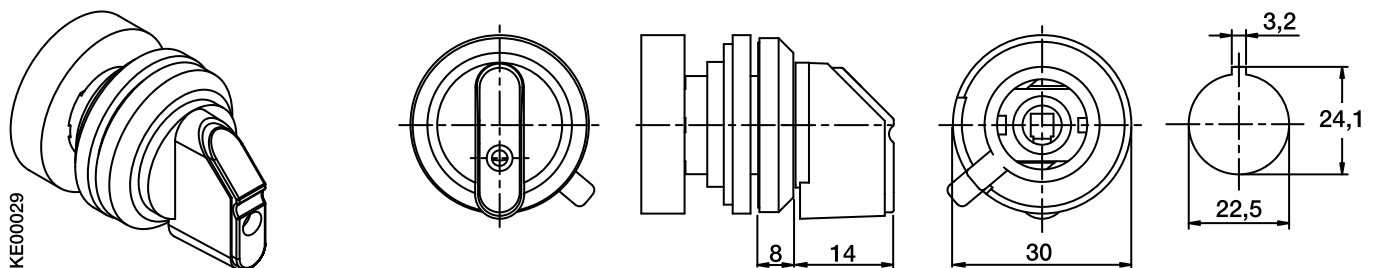
Snap-on handle for OM, type OMP_



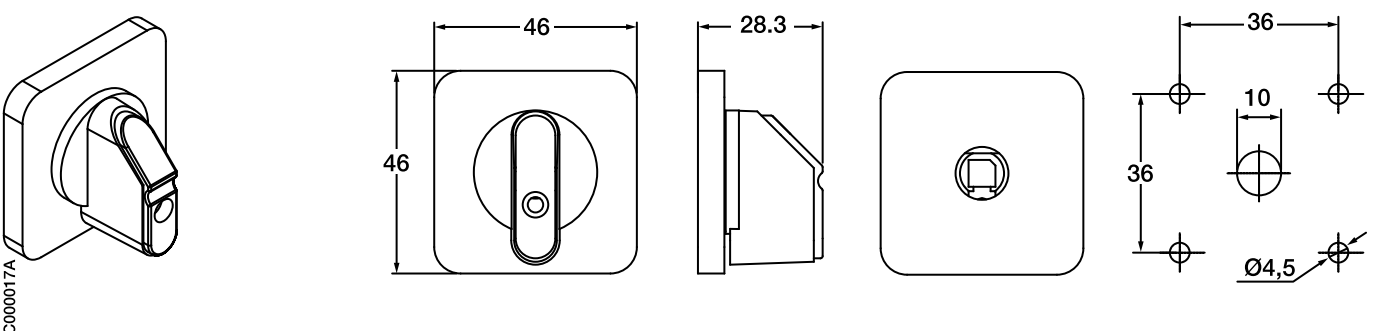
Snap-on key operated handle for OM - to be specified by Camweb configurator



Round front ring OMX_ for OM - to be specified by Camweb configurator



Screw mounted handle ON and OL40 - to be specified by Camweb configurator

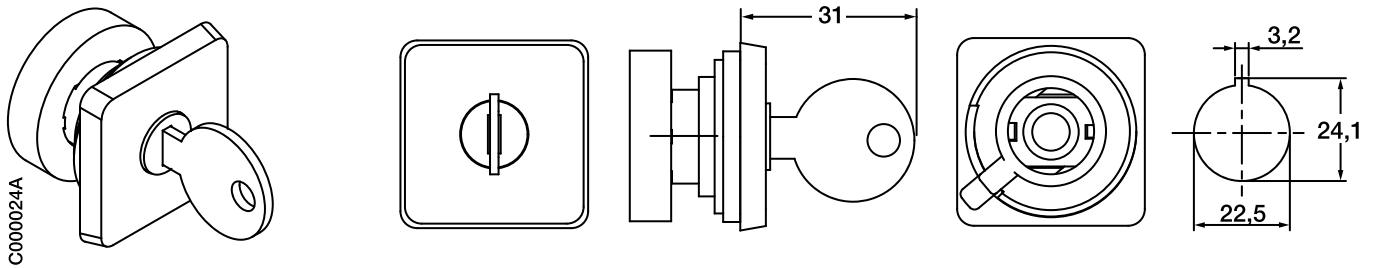




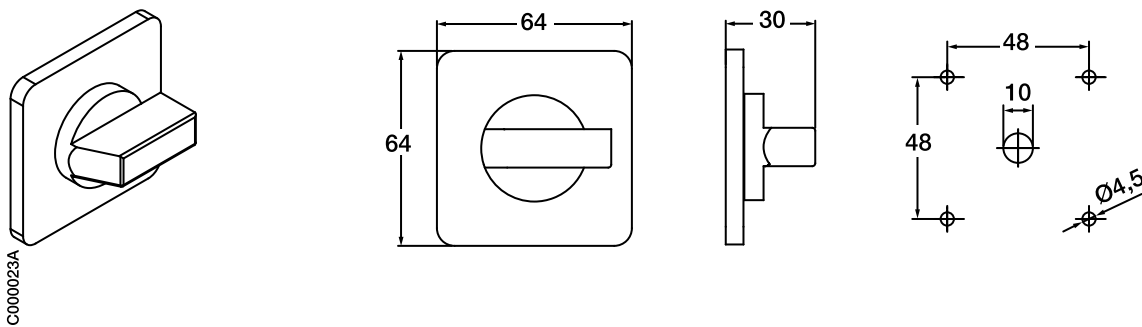
Rotary cam switches

Dimension drawings, handles

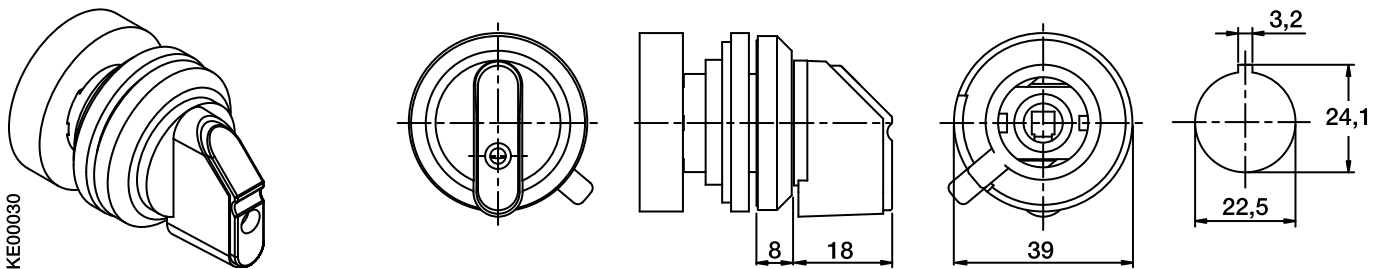
Snap-on key operated handle for ON - to be specified by Camweb configurator



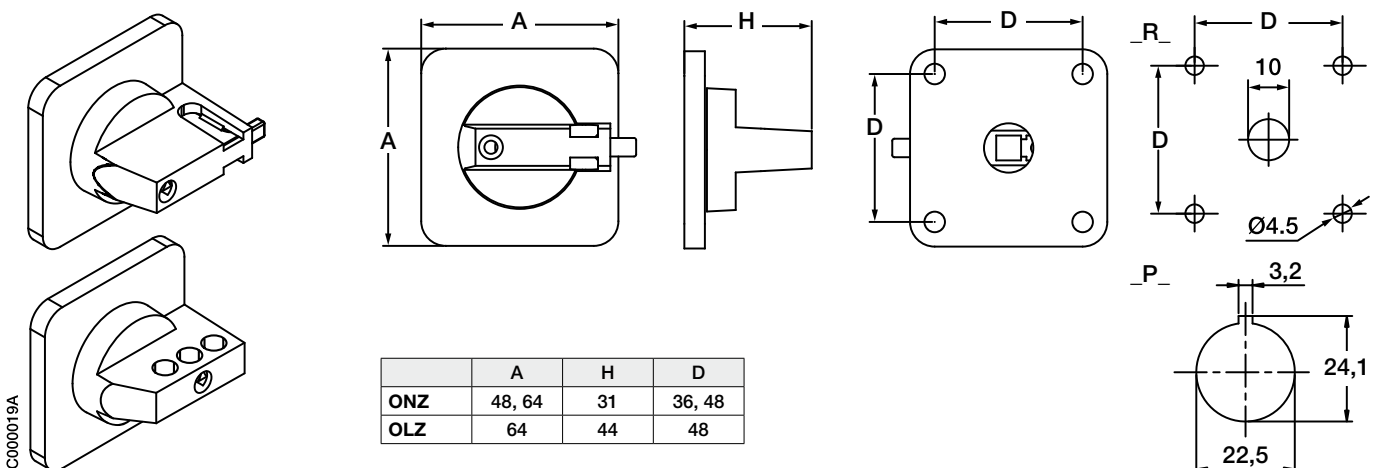
Screw mounted large handle option for ON, OL40, OL63 and OL 80N (type _ RL _)
- to be specified by Camweb configurator



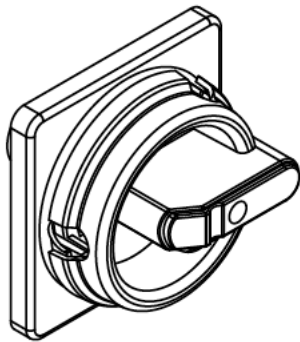
Round front ring ONX_ for ON, OL40, OL63 and OL80N (type_X_)



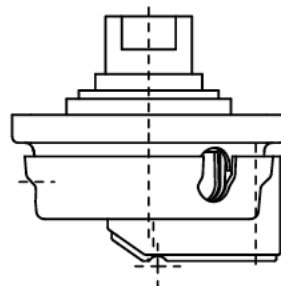
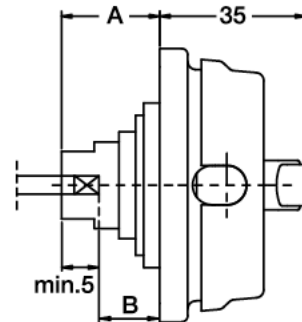
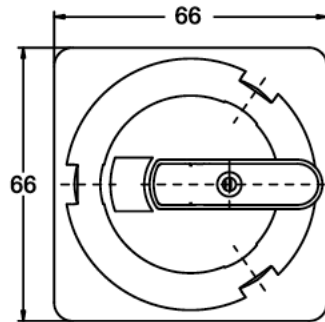
Padlockable handle knob for ON, OL40, OL63 and OL80N type ONZ20_
(also suitable for 64x64 handle)



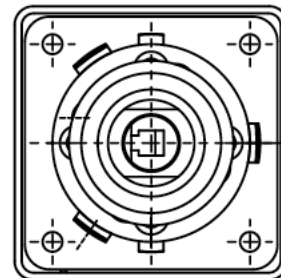
Round padlockable snap-on mounted handle for ON, OL40, OL63 and OL80N, type OZ331P_, OZ331SP_ and door coupling OZ371_ - to be specified by Camweb configurator (Type _P3_)



KE00031

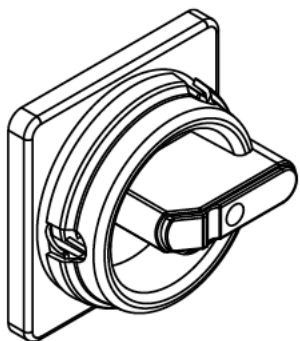


Shaft size 6 mm

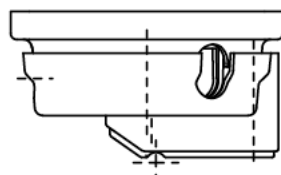
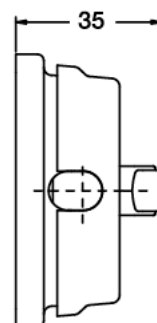
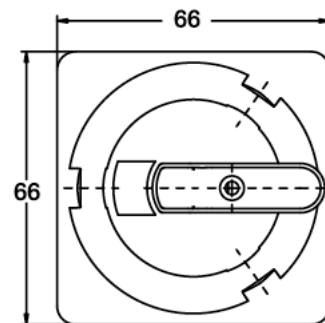


| | OZ331P_ | OZ331SP_ | OZ371_ |
|---|---------|----------|--------|
| A | 24 | 15 | 21 |
| B | 3...19 | 8...10 | 4...5 |

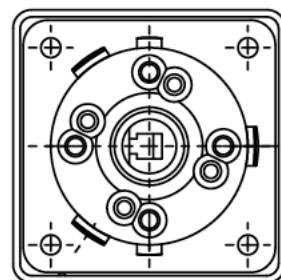
Round padlockable screw mounted handle for ON, OL40, OL63 and OL80N type OZ331R_ - to be specified by Camweb configurator (Type _R3_)



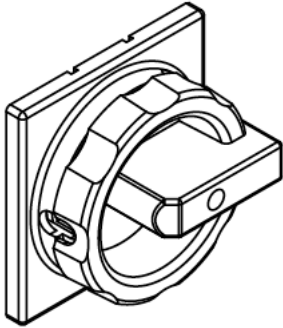
KE00032



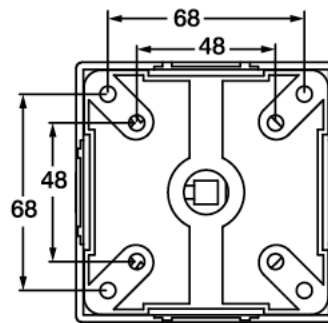
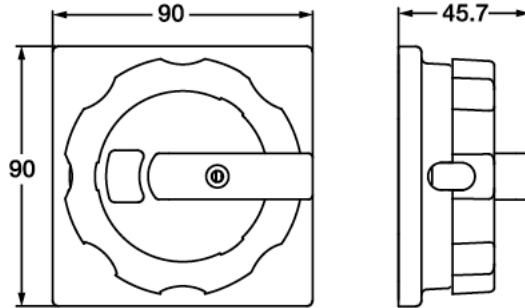
Shaft size 6 mm



Round padlockable screw mounted handle for OL125 and OL160, type OLZ332R_
- Type R3 to be specified by the Camweb configurator



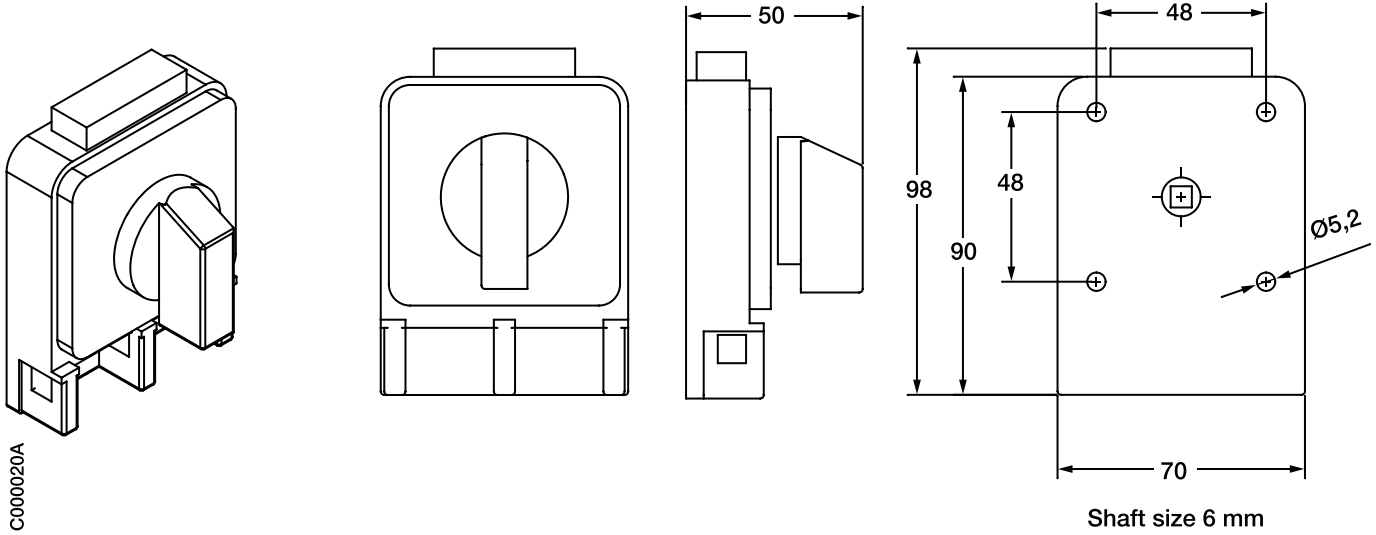
C000021A



Shaft size 8 mm

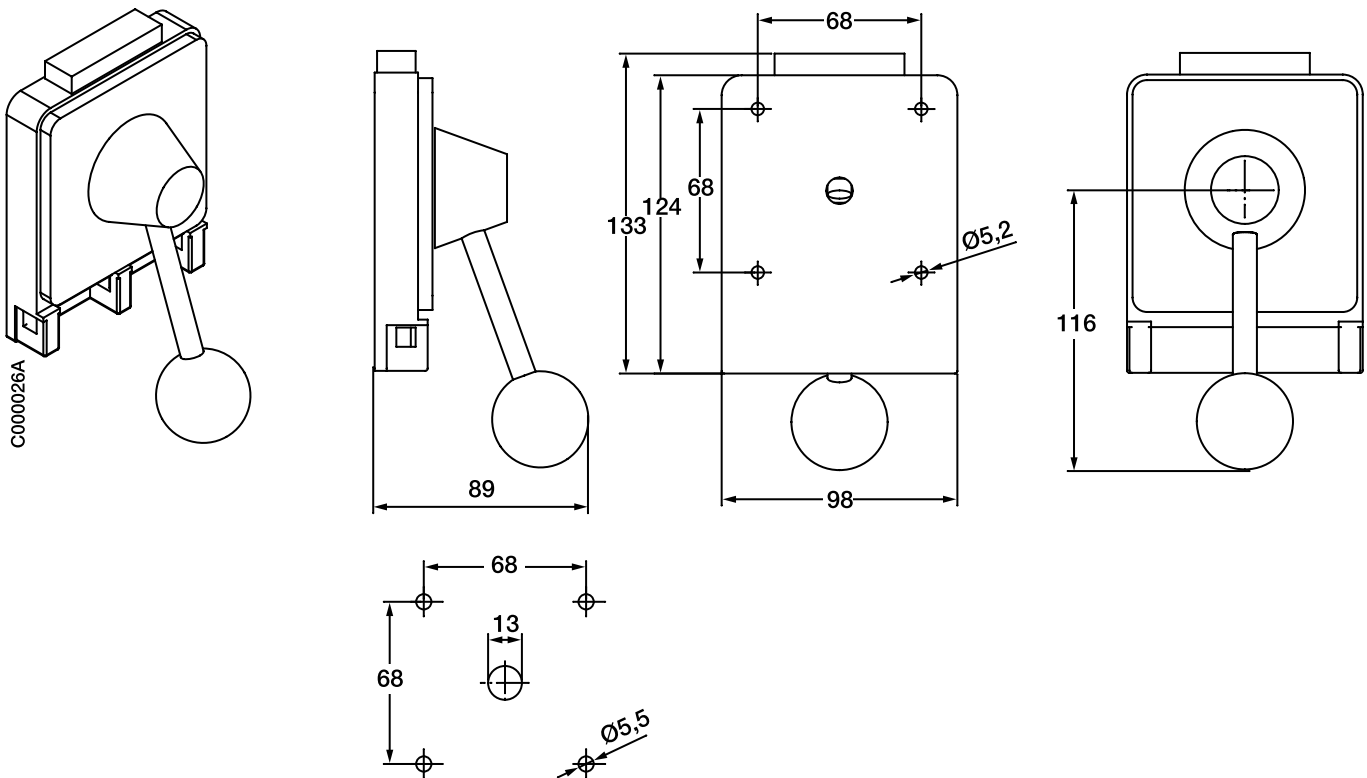
Square padlockable handle for ON, OL40, OL63 and OL80N

- to be specified by Camweb configurator (Type R5)

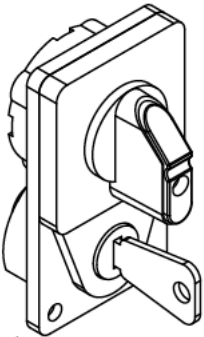


Square padlockable handle for OL125 and OL160

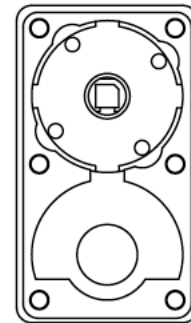
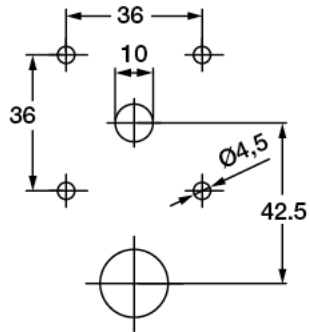
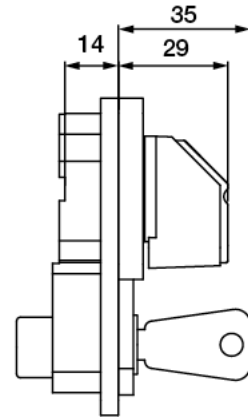
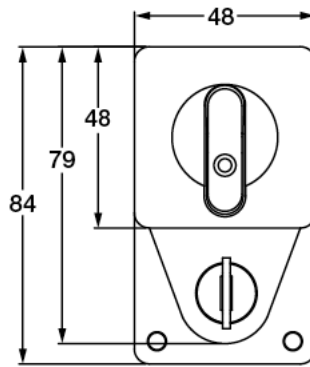
- to be specified by Camweb configurator (Type R5)



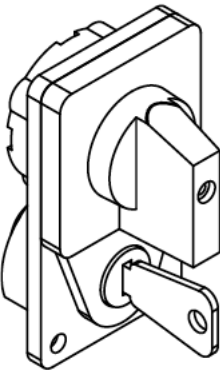
Key interlocked handle for ON front plate size 48x48, vertical
 - to be specified by Camweb configurator (Type Q)



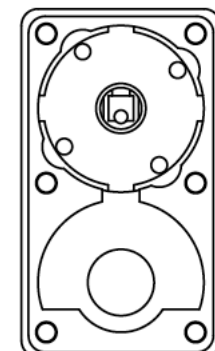
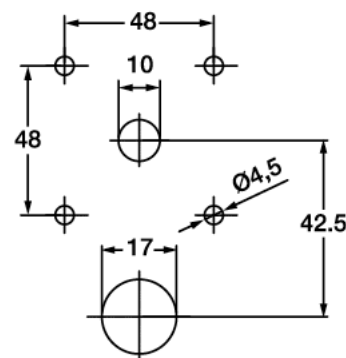
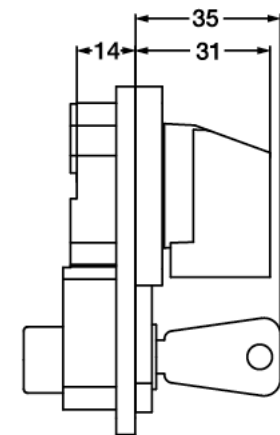
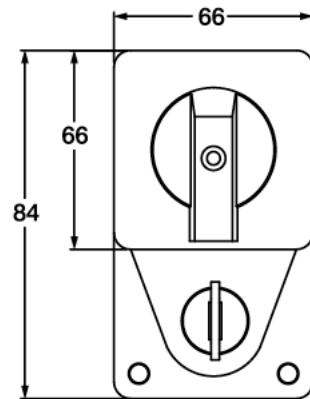
C000016A



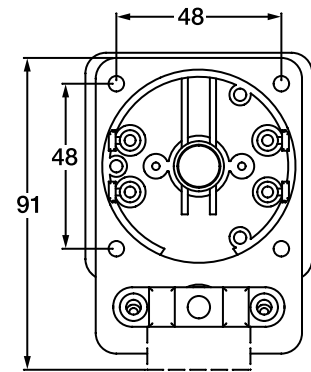
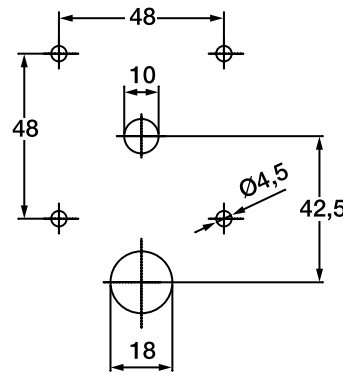
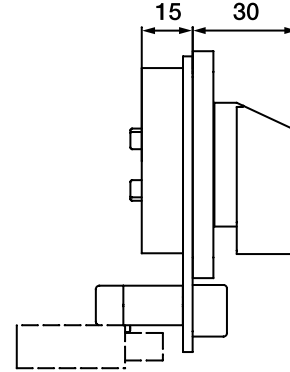
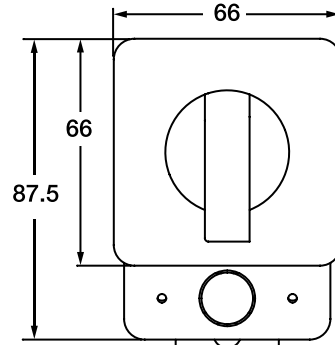
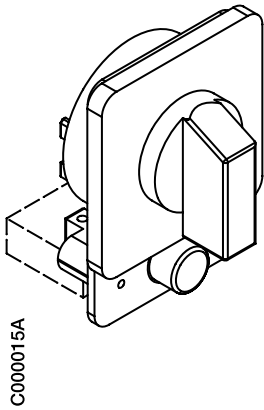
Key interlocked handle for ON, OL40, OL63 and OL80N, front plate size 64x64, vertical
 - to be specified by Camweb configurator (Type Q)



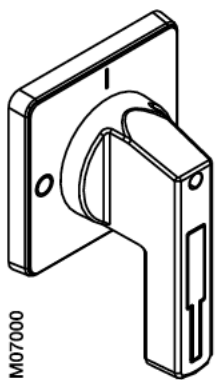
C000040A



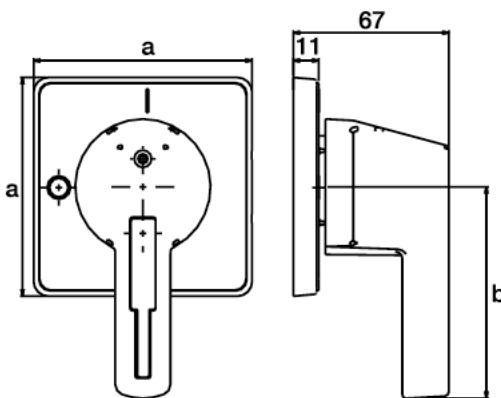
Push button interlock handle for ON, OL40, OL63 and OL80N
 - to be specified by Camweb configurator (Type U)



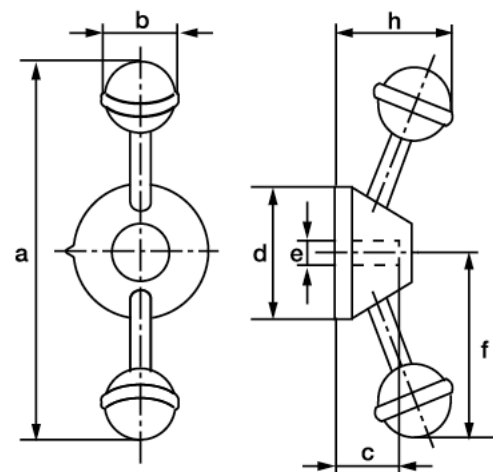
Pistol and double lever handles



M07000



OLZ3D_



C000035

| | a | b | c | d | e | f | g | h | y |
|----------|-----|-----|----|----|-----------------|-----|---|----|----|
| OLZ208_ | 90 | 70 | - | - | 8 [□] | - | - | - | - |
| OLZ2010_ | 130 | 70 | - | - | 10 [□] | - | - | - | - |
| OLZ8_ | - | 70 | - | - | 8 [□] | - | - | - | - |
| OLZ810_ | - | 70 | - | - | 10 [□] | - | - | - | - |
| OLZ9_ | - | 130 | - | - | 10 [□] | - | - | - | - |
| OLZ3D_ | 252 | 40 | 28 | 77 | 10 [□] | 126 | - | 56 | 10 |

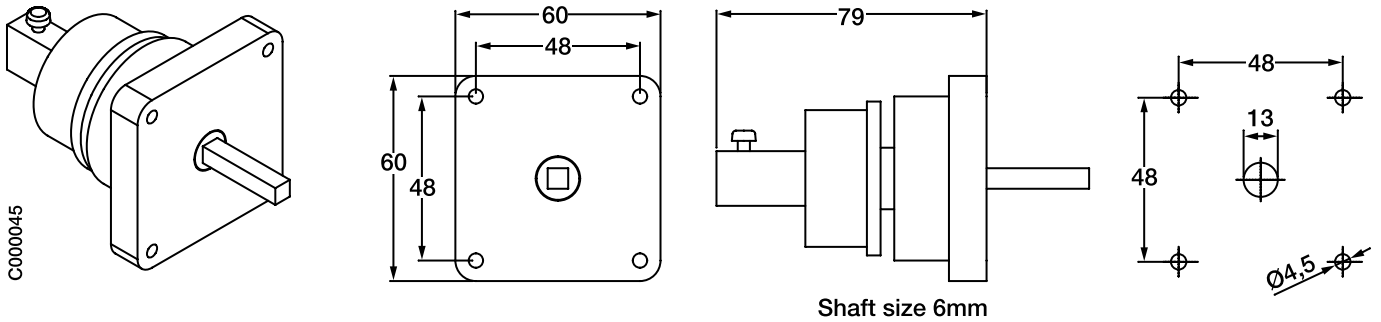


Rotary cam switches Dimension drawings, door clutch

Door clutch, interlock for hinged door, for ON, OL40, OL63 and OL80N, (ONZ45P)

- to be specified by Camweb configurator

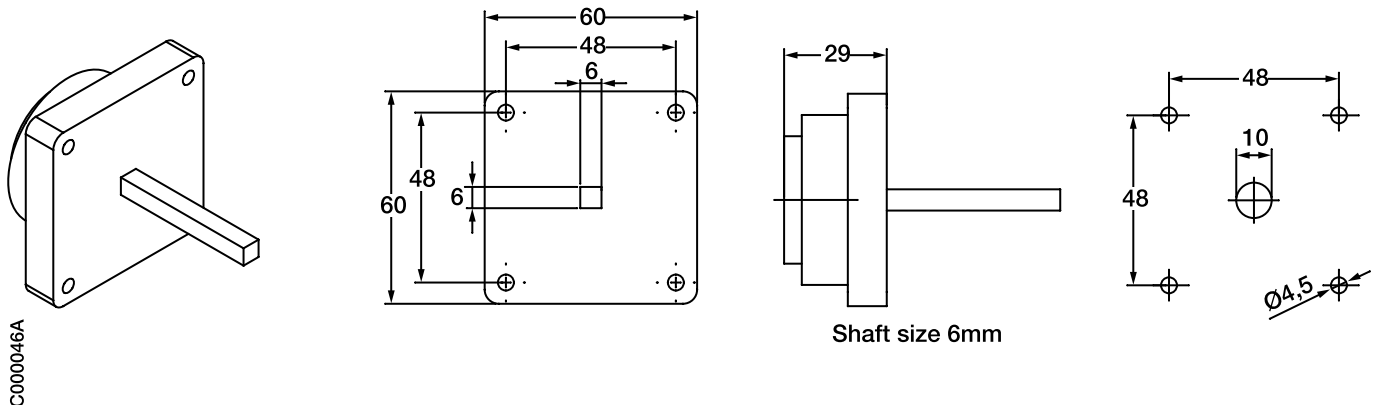
- to lock the panel when the switch is in on position



Door clutch, interlock for hinged door, for OL40, OL63 and OL80N, (ONZ45P)

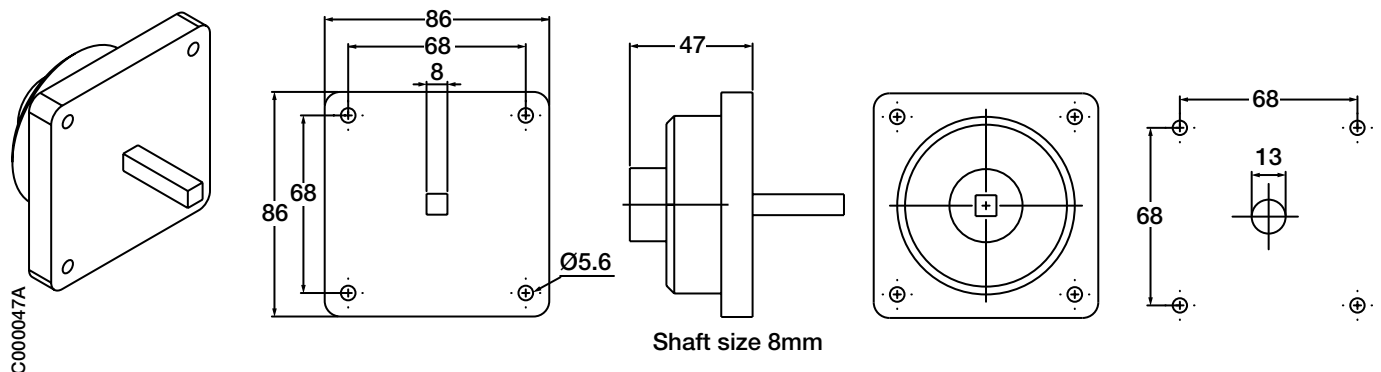
- to be specified by Camweb configurator

- to lock the panel when the switch is in on position



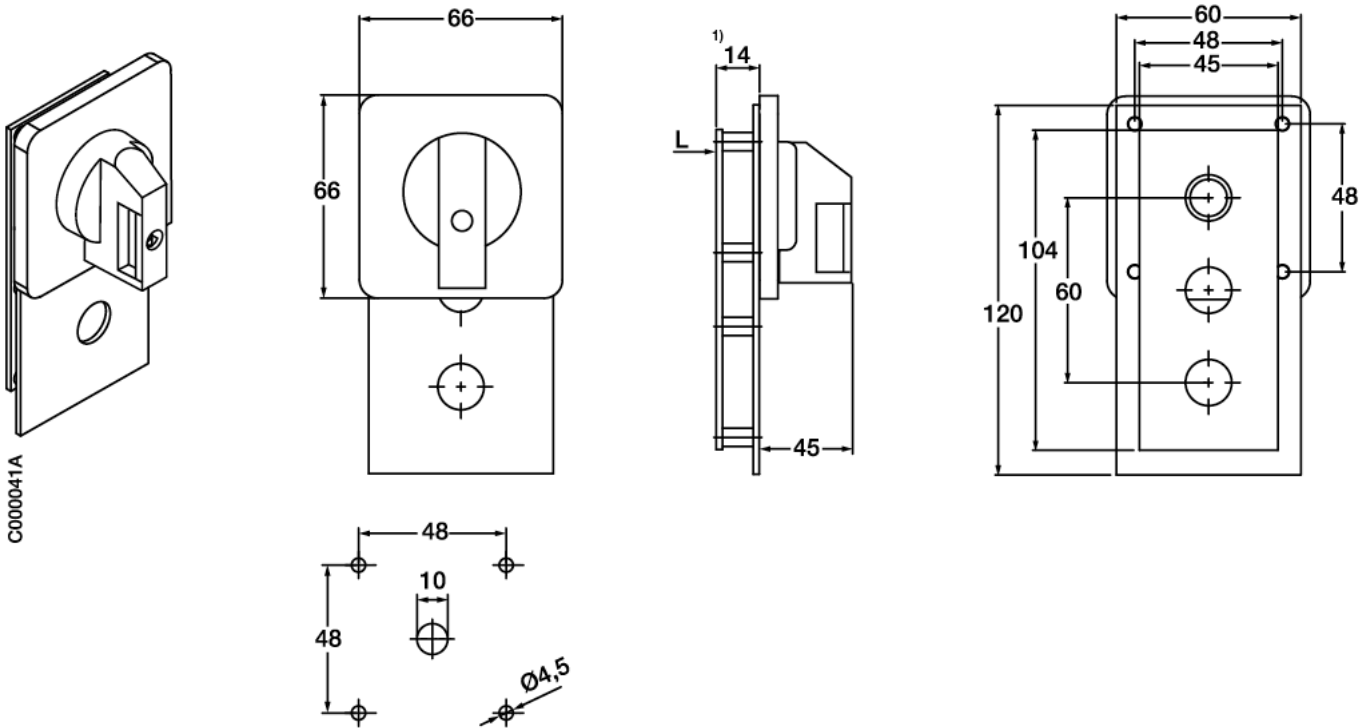
Door clutch, interlock for hinged door, for OL125, OL160 (OLZ652)
and for OL200 (OLZ653) - to be specified by Camweb configurator

- to lock the panel when the switch is in on position

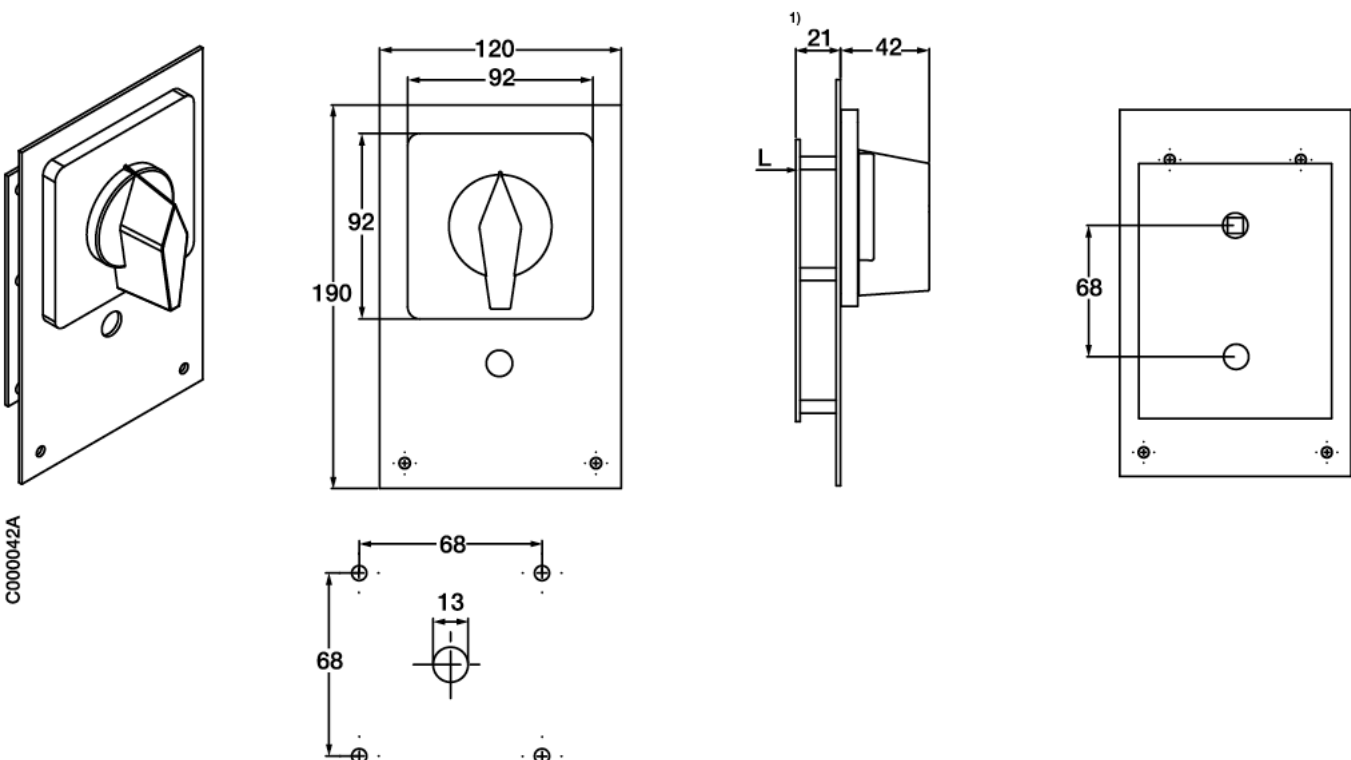


Rotary cam switches Dimension drawings, double gang

Double gang (Tandem) drive for ON, handle type H
- to be specified by Camweb configurator



Double gang (Tandem) drive for OL40, OL63 and OL80 N, handle type H
- to be specified by Camweb configurator



¹⁾ Add the dimension L of the screw mounted cam switch for the total depth. (page 40)

Enclosures

Square enclosures



- ▶ for door mounting and click on base mounting with circlip
- ▶ include earth and neutral terminals, 6 mm²
- ▶ one hole mounting handle
- ▶ grey enclosure
- ▶ M25 knock-outs

Rectangular enclosures



- ▶ for door and DIN-rail mounting
- ▶ include earth and neutral terminals, 6 mm²
- ▶ one hole mounting handle
- ▶ grey enclosure
- ▶ M25 knock-outs



- ▶ for door and DIN-rail mounting
- ▶ include earth and neutral terminals, 16 mm²
- ▶ one or four hole mounting handle
- ▶ grey enclosure
- ▶ M32/40 knock-outs

Cam switches OM_, ON_, OL_ / Switch-disconnectors OT_

Door mounted



- ▶ OM_/ON_, OL40, OL63, OL80

Base / DIN-rail mounted



- ▶ OM_/ON_, OL40, OL63



- ▶ OT16...80F_

Shafts



- ▶ OX6X_
- ▶ 6 mm

Handles



- ▶ Basic-type



- ▶ Key-type

Enclosed switches

- ▶ Control switches
- ▶ ON-OFF switches
- ▶ Change-over switches
- ▶ Motor control switches:
 - ▶ Reversing switches,
 - ▶ Star delta switches,
 - ▶ Pole change switches (Dahlander)
- ▶ Special switches
- ▶ Key switches





Enclosed rotary cam switches

Contents:

Enclosed rotary cam switches

Ordering information

| | |
|----------------------------|---------|
| Enclosed cam switches..... | 60 |
| Enclosures..... | 61 |
| Accessories..... | 61 |
| Dimension drawings..... | 62 - 63 |



▶ Round padlockable -type



Enclosed cam switches

The type and the ordering number are for one piece. Neutral and earth terminals, 6mm², included.

ON-OFF switches

| Number of poles | Function | Size of ¹⁾ enclosure | Type | Order number | Delivery batch [pcs] | Weight/unit [kg] |
|--|----------|---------------------------------|---------|-----------------|----------------------|------------------|
| Basic handle, protection class IP65 | | | | | | |
| 2 | 0 - 1 | 96x96x70 | ONA2EPB | 1SCA022662R3410 | 4 | 0.3 |
| 3 | 0 - 1 | 96x96x70 | ONA3EPB | 1SCA022662R3500 | 4 | 0.3 |
| 4 | 0 - 1 | 96x96x70 | ONA4EPB | 1SCA022662R3680 | 4 | 0.3 |
| 5 | 0 - 1 | 96x96x85 | ONA5EPB | 1SCA022755R1020 | 4 | 0.3 |
| 6 | 0 - 1 | 96x96x85 | ONA6EPB | 1SCA022755R1110 | 4 | 0.3 |
| 8 | 0 - 1 | 96x96x108 | ONA8EPB | 1SCA022755R1290 | 4 | 0.3 |
| 9 | 0 - 1 | 96x96x138 | ONA9EPB | 1SCA022761R4710 | 4 | 0.3 |

Padlockable red-yellow handle, protection class IP65

| | | | | | | |
|---|-------|-----------|------------|-----------------|---|-----|
| 2 | 0 - 1 | 96x96x70 | ONA2EZ3PRY | 1SCA112514R1001 | 4 | 0.3 |
| 3 | 0 - 1 | 96x96x70 | ONA3EZ3PRY | 1SCA112515R1001 | 4 | 0.3 |
| 4 | 0 - 1 | 96x96x70 | ONA4EZ3PRY | 1SCA112516R1001 | 4 | 0.3 |
| 5 | 0 - 1 | 96x96x85 | ONA5EZ3PRY | 1SCA112517R1001 | 4 | 0.3 |
| 6 | 0 - 1 | 96x96x85 | ONA6EZ3PRY | 1SCA112518R1001 | 4 | 0.3 |
| 8 | 0 - 1 | 96x96x108 | ONA8EZ3PRY | 1SCA112520R1001 | 4 | 0.3 |
| 9 | 0 - 1 | 96x96x138 | ONA9EZ3PRY | 1SCA112521R1001 | 4 | 0.3 |

Key type, protection class IP54

| | | | | | | |
|---|-------|-----------|---------|-----------------|---|-----|
| 3 | 0 - 1 | 96x96x100 | ONA3EKB | 1SCA022662R2260 | 4 | 0.3 |
|---|-------|-----------|---------|-----------------|---|-----|

Change-over switches

Protection class IP65

| | | | | | | |
|---|-----------|-----------|---------|-----------------|---|-----|
| 1 | 1 - 0 - 2 | 96x96x108 | ONU1EPB | 1SCA022755R2850 | 4 | 0.3 |
|---|-----------|-----------|---------|-----------------|---|-----|

Motor control switches

Protection class IP65

Reversing switches

| | | | | | | |
|---|-----------|-----------|-----------|-----------------|---|-----|
| 3 | 1 - 0 - 2 | 96x96x108 | ONW3EPB | 1SCA022755R2930 | 4 | 0.3 |
| 3 | 1 - 0 - 2 | 96x96x138 | OL40W3EPB | 1SCA022849R0180 | 4 | 0.4 |

| I _{th} [A] | Function | Size of ¹⁾ enclosure | Type | Order number | Delivery batch [pcs] | Weight/unit [kg] |
|---------------------|----------|---------------------------------|------|--------------|----------------------|------------------|
|---------------------|----------|---------------------------------|------|--------------|----------------------|------------------|

Star delta switches

| | | | | | | |
|----|------------|-------------|-----------|-----------------|---|-----|
| 25 | 0 - Y - ΔΔ | 161x100x80 | ONSDEPB | 1SCA022662R4140 | 4 | 0.3 |
| 45 | 0 - Y - ΔΔ | 305x215x185 | OL40SDEPB | 1SCA022755R3230 | 4 | 0.4 |

Pole change switches (Dahlander)

| | | | | | | |
|----|-----------|-------------|------------|-----------------|---|-----|
| 25 | 0 - 1 - 2 | 305x215x185 | ONP12EPB | 1SCA022849R0260 | 1 | 0.3 |
| 40 | 0 - 1 - 2 | 305x215x185 | OL40P12EPB | 1SCA022849R0340 | 1 | 0.4 |



ONA_EPB



ONA_EZ3PRY

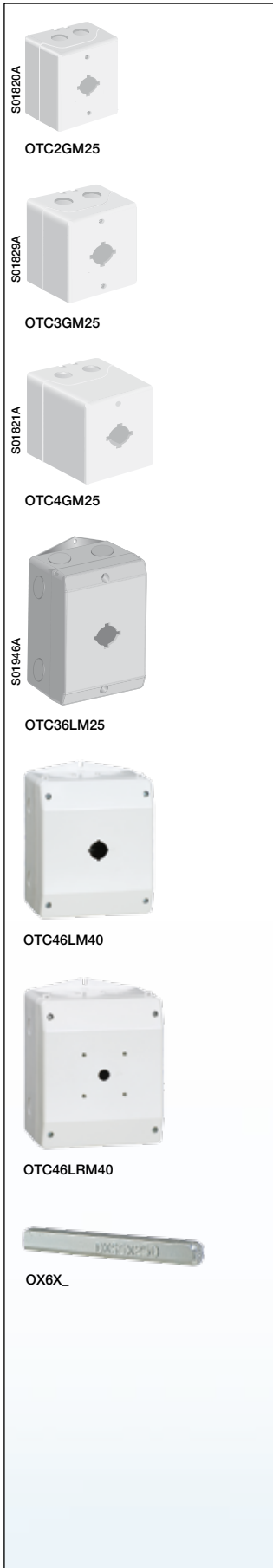


ONA3EKB



ONSDEPB

¹⁾ The height without handle.
Special enclosed cam switches configured by the Camweb tool.



Enclosures

The enclosures can accommodate cam switches and switch-disconnectors.

Square enclosures

Suitable for door mounting and the type OTC36M25 click-on base mounting with circlip. Neutral and earth terminals, 6mm², included. Enclosure colour: light grey.

| Handle mounting ¹⁾ | Protection class | Size of enclosure | Type | Order number | Delivery batch [pcs] | Weight/unit [kg] |
|--|------------------|-------------------|----------|-----------------|----------------------|------------------|
| Suitable for switch types: OM_/ON_P: up to 4 contacts, OL40_P: 2 contacts | | | | | | |
| One hole | IP 65 | 96x96x70 | OTC26M25 | 1SCA022745R4680 | 20 | 0.2 |
| Suitable for switch types: OM_/ON_P: up to 6 contacts, OL40_P: 4 contacts, OT16F_: 3 to 4 poles | | | | | | |
| One hole | IP65 | 96x96x84.5 | OTC36M25 | 1SCA022757R6520 | 10 | 0.2 |
| Suitable for switch types: OM_/ON_P: up to 10 contacts, OL40_P: 6 contacts | | | | | | |
| One hole | IP 65 | 96x96x108 | OTC46M25 | 1SCA027745R4840 | 10 | 0.2 |

Rectangular enclosures

Suitable for door or DIN-rail mounting, protection class IP65. Neutral and earth terminals included. Enclosure colour: light grey. The DIN-rail is including in the enclosures OTC36L_.

| Handle mounting ¹⁾ | Size of earth/neutral terminal | Size of enclosure | Type | Order number | Delivery batch [pcs] | Weight/unit [kg] |
|--|--------------------------------|-------------------|------------|-----------------|----------------------|------------------|
| Suitable for switch types: OM_/ON_P: up to 6 contacts, OL40_P: 4 contacts, OTC36L_/OT16...45F_: 3 and 4 pole, OTC46L_/OT16...63F_: 3 and 4 pole | | | | | | |
| M-type knock-outs | | | | | | |
| One hole | 6 mm ² | 161x100x80 | OTC36LM25 | 1SCA022761R4980 | 20 | 0.2 |
| One hole | 16 mm ² | 175x145x110 | OTC46LM40 | 1SCA112832R1001 | 10 | 0.3 |
| Knock outs 2x3/4 | | | | | | |
| One hole | 6 mm ² | 165x100x80 | OTC36L3/4 | 1SCA022761R4980 | 20 | 0.2 |
| Suitable for switch types: OM/ON_R: up to 6 contacts, OL40...80_R: 4 contacts, OT16...45F_: 3 and 4 pole | | | | | | |
| Four holes | 16 mm ² | 175x145x110 | OTC46LRM40 | 1SCA112838R1001 | 10 | 0.3 |

Shafts

Shafts for 3 and 4-pole OT-switches with the handle type OZ331SP_, see page 35.

| Shaft length unit [mm] | Suitable for enclosure/with switch | Type | Order number | Delivery [pcs] | Weight batch [kg] |
|------------------------|---|--------|-----------------|----------------|-------------------|
| 48 | OTC36M25/OT16F_ | OX6X48 | 1SCA113442R1001 | 10 | 0.02 |
| 40 | OTC36LM25/OT16...25F_ OTC46LM40/OT63F_ | OX6X40 | 1SCA112994R1001 | 10 | 0.02 |
| 60 | OTC46LM40/OT40F_ | OX6X60 | 1SCA111459R1001 | 10 | 0.02 |

DIN-rail, optional

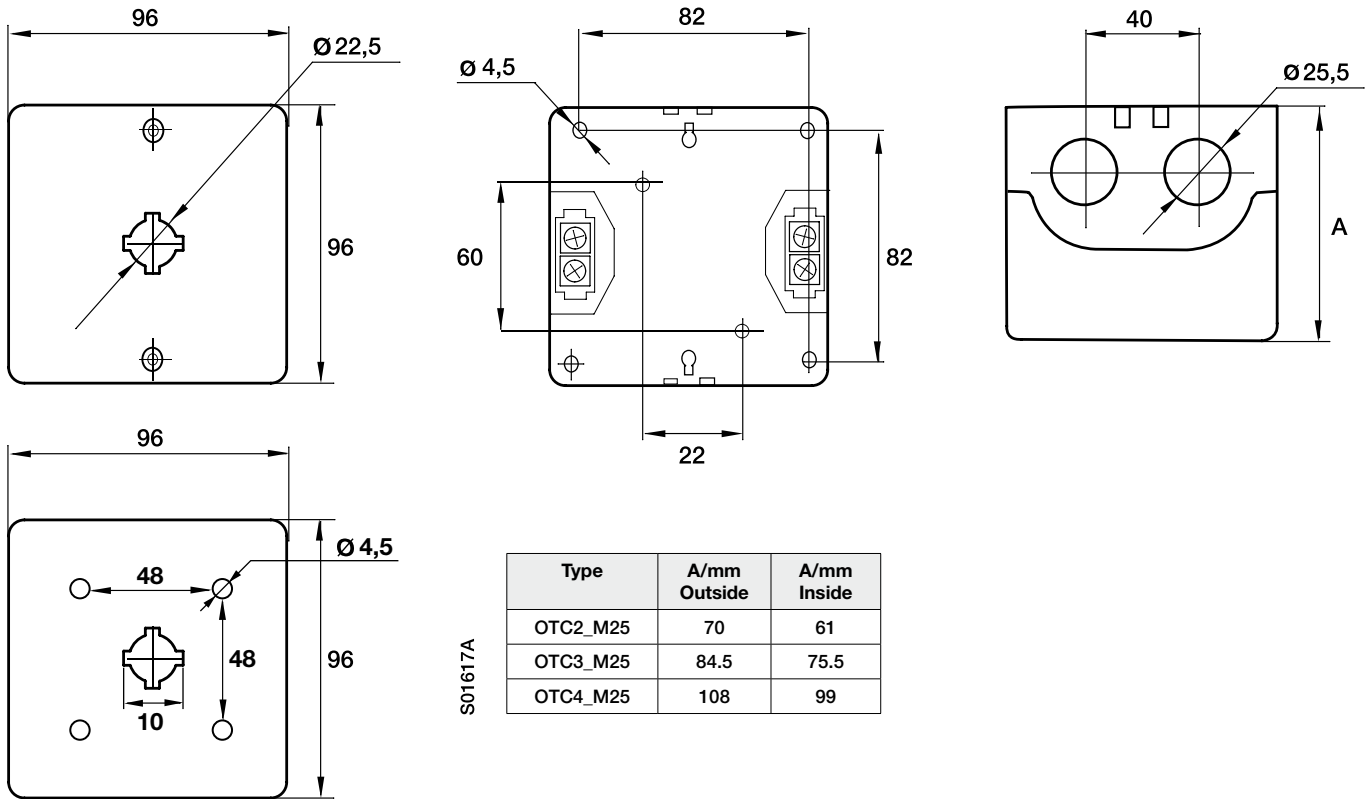
For OTC46L_ enclosures

Precut 35 mm DIN-rail, length 100 mm: Side movement stoppers for 3 and 4 pole switches OT16...80 and 8 pole OT16...40

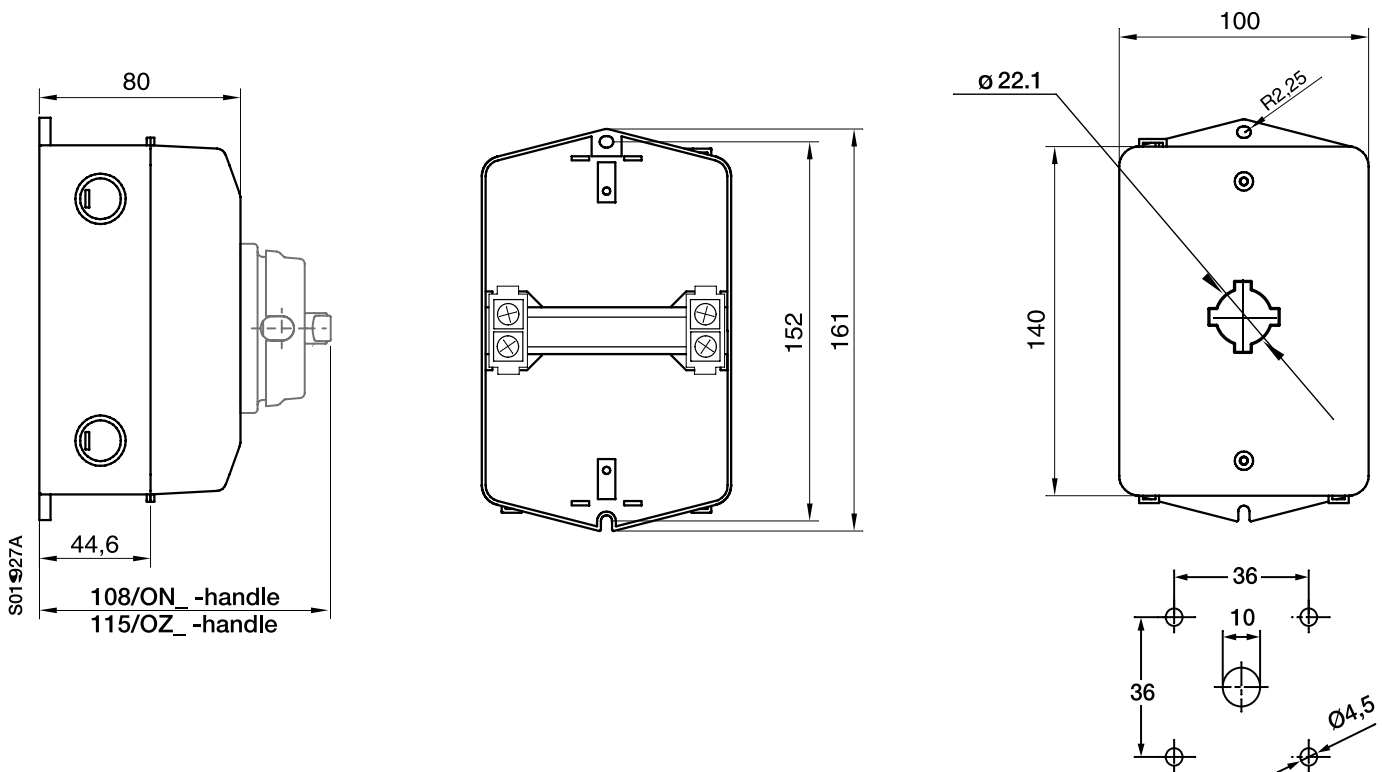
| Order number | Type | Delivery | Weight |
|--------------|--------|-----------------|--------|
| OTC46L_ | OTUXW1 | 1SCA115687R1001 | 10 0.3 |

¹⁾ One hole (snap on mounting handle), Four holes (screw mounted handle)

OTC_

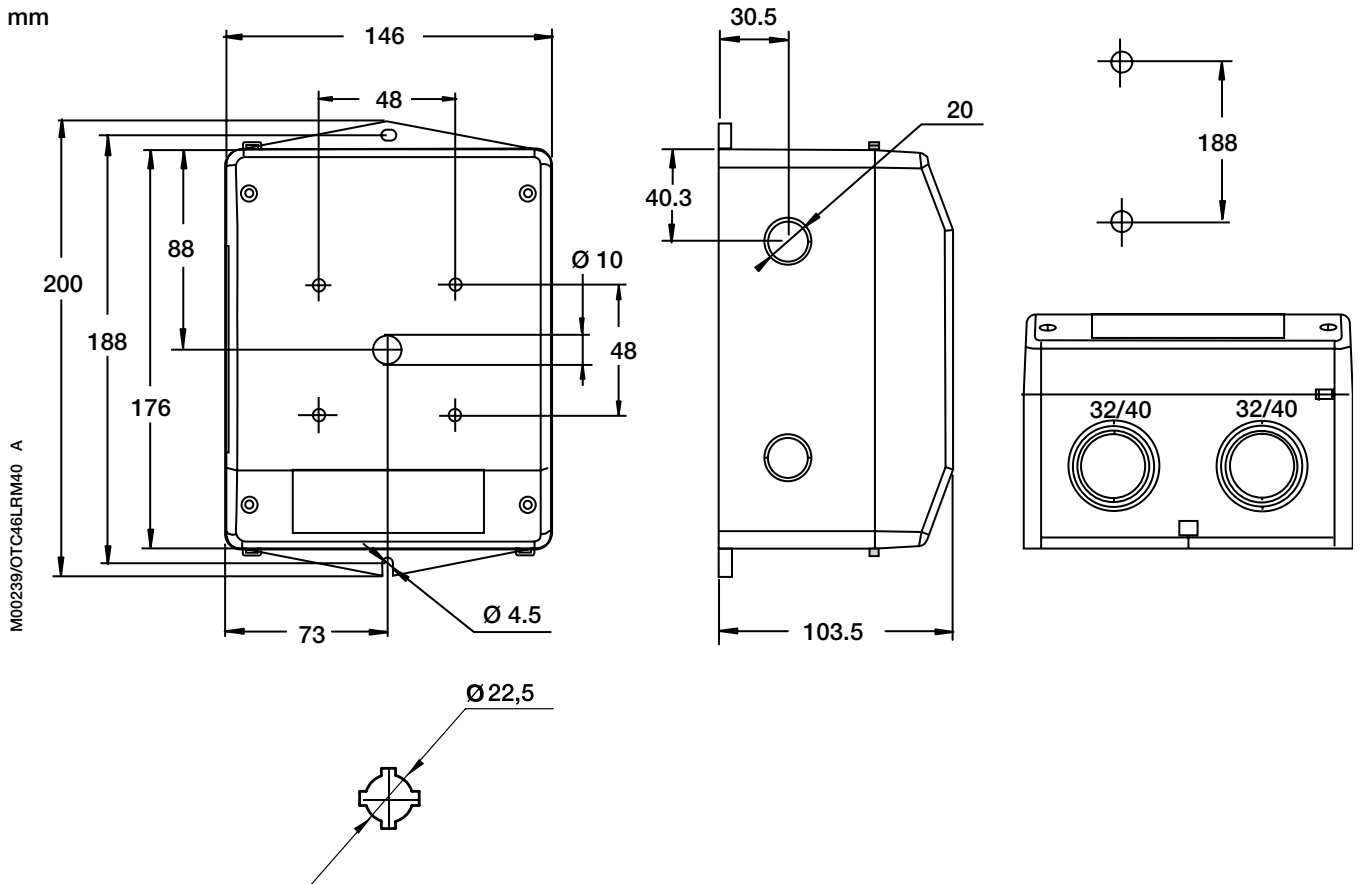


OTC36L_



OTC_46L_

mm



| Type | Order number | Page | Description |
|-------------|-----------------|------|--------------------|
| OL125A1RB | 1SCA022790R1370 | 18 | ON - OFF switch |
| OL125A2RB | 1SCA022790R1450 | 18 | ON - OFF switch |
| OL125A3RB | 1SCA022790R1530 | 18 | ON - OFF switch |
| OL125A4RB | 1SCA022790R1610 | 18 | ON - OFF switch |
| OL125A6RB | 1SCA022790R1700 | 18 | ON - OFF switch |
| OL125A8RB | 1SCA022790R1880 | 18 | ON - OFF switch |
| OL125P012RB | 1SCA022791R5590 | 28 | Pole-change switch |
| OL125PW36RB | 1SCA022791R3540 | 23 | Bypass switch |
| OL125PW48RB | 1SCA022791R4010 | 23 | Bypass switch |
| OL125SDRB | 1SCA022791R5080 | 28 | Star-delta switch |
| OL125SO31RB | 1SCA022791R4510 | 24 | Multistep switch |
| OL125U1RB | 1SCA022790R1960 | 20 | Change-over switch |
| OL125U2RB | 1SCA022790R2000 | 20 | Change-over switch |
| OL125U3RB | 1SCA022790R2180 | 20 | Change-over switch |
| OL125U4RB | 1SCA022790R2260 | 20 | Change-over switch |
| OL125UC3RB | 1SCA022791R1500 | 22 | Change-over switch |
| OL125UC4RB | 1SCA022791R2060 | 22 | Change-over switch |
| OL125WS1RB | 1SCA022790R2340 | 21 | Change-over switch |
| OL125WS2RB | 1SCA022790R2420 | 21 | Change-over switch |
| OL125WS36RB | 1SCA022791R2570 | 23 | Bypass switch |
| OL125WS3RB | 1SCA022790R2510 | 21 | Change-over switch |
| OL125WS48RB | 1SCA022791R3030 | 23 | Bypass switch |
| OL125WS4RB | 1SCA022790R2690 | 21 | Change-over switch |
| OL160A1RB | 1SCA022790R5010 | 18 | ON - OFF switch |
| OL160A2RB | 1SCA022790R5100 | 18 | ON - OFF switch |
| OL160A3RB | 1SCA022790R5280 | 18 | ON - OFF switch |
| OL160A4RB | 1SCA022790R5360 | 18 | ON - OFF switch |
| OL160A6RB | 1SCA022790R5440 | 18 | ON - OFF switch |
| OL160A8RB | 1SCA022790R5520 | 18 | ON - OFF switch |
| OL160P012RB | 1SCA022791R5670 | 28 | Pole-change switch |
| OL160PW36RB | 1SCA022791R3620 | 23 | Bypass switch |
| OL160PW48RB | 1SCA022791R4190 | 23 | Bypass switch |
| OL160SDRB | 1SCA022791R5160 | 28 | Star-delta switch |
| OL160SO31RB | 1SCA022791R4600 | 24 | Multistep switch |
| OL160U1RB | 1SCA022790R6840 | 20 | Change-over switch |
| OL160U2RB | 1SCA022790R6920 | 20 | Change-over switch |
| OL160U3RB | 1SCA022790R7060 | 20 | Change-over switch |
| OL160U4RB | 1SCA022790R7140 | 20 | Change-over switch |
| OL160UC3RB | 1SCA022791R1680 | 22 | Change-over switch |
| OL160UC4RB | 1SCA022791R2140 | 22 | Change-over switch |
| OL160WS1RB | 1SCA022790R8030 | 21 | Change-over switch |
| OL160WS2RB | 1SCA022790R8110 | 21 | Change-over switch |
| OL160WS36RB | 1SCA022791R2650 | 23 | Bypass switch |
| OL160WS3RB | 1SCA022790R8200 | 21 | Change-over switch |
| OL160WS48RB | 1SCA022791R3110 | 23 | Bypass switch |
| OL160WS4RB | 1SCA022790R8380 | 21 | Change-over switch |
| OL200A1RB | 1SCA022790R5610 | 18 | ON - OFF switch |
| OL200A2RB | 1SCA022790R5790 | 18 | ON - OFF switch |
| OL200A3RB | 1SCA022790R5870 | 18 | ON - OFF switch |
| OL200A4RB | 1SCA022790R5950 | 18 | ON - OFF switch |
| OL200A6RB | 1SCA022790R6090 | 18 | ON - OFF switch |
| OL200A8RB | 1SCA022790R6170 | 18 | ON - OFF switch |
| OL200P012RB | 1SCA022791R5750 | 28 | Pole-change switch |
| OL200PW36RB | 1SCA022791R3710 | 23 | Bypass switch |
| OL200PW48RB | 1SCA022791R4270 | 23 | Bypass switch |
| OL200SDRB | 1SCA022791R5240 | 28 | Star-delta switch |
| OL200SO31RB | 1SCA022791R4780 | 24 | Multistep switch |
| OL200U1RB | 1SCA022790R7220 | 20 | Change-over switch |
| OL200U2RB | 1SCA022790R7310 | 20 | Change-over switch |
| OL200U3RB | 1SCA022790R7490 | 20 | Change-over switch |
| OL200U4RB | 1SCA022790R7570 | 20 | Change-over switch |
| OL200UC3RB | 1SCA022791R1760 | 22 | Change-over switch |
| OL200UC4RB | 1SCA022791R2220 | 22 | Change-over switch |
| OL200WS1RB | 1SCA022790R8460 | 21 | Change-over switch |
| OL200WS2RB | 1SCA022790R8540 | 21 | Change-over switch |
| OL200WS36RB | 1SCA022791R2730 | 23 | Bypass switch |
| OL200WS3RB | 1SCA022790R8620 | 21 | Change-over switch |
| OL200WS48RB | 1SCA022791R3200 | 23 | Bypass switch |
| OL200WS4RB | 1SCA022790R8710 | 21 | Change-over switch |
| OL40A1PB | 1SCA022755R7140 | 18 | ON - OFF switch |
| OL40A1RB | 1SCA100297R1001 | 18 | ON - OFF switch |
| OL40A2PB | 1SCA022755R7220 | 18 | ON - OFF switch |
| OL40A2RB | 1SCA100298R1001 | 18 | ON - OFF switch |
| OL40A3PB | 1SCA022755R7310 | 18 | ON - OFF switch |
| OL40A3RB | 1SCA100305R1001 | 18 | ON - OFF switch |
| OL40A4PB | 1SCA022755R7490 | 18 | ON - OFF switch |

| Type | Order number | Page | Description |
|-------------|-----------------|------|-----------------------------|
| OL40A4RB | 1SCA100306R1001 | 18 | ON - OFF switch |
| OL40A6PB | 1SCA022755R7650 | 18 | ON - OFF switch |
| OL40A8PB | 1SCA022755R7810 | 18 | ON - OFF switch |
| OL40AU31RB | 1SCA100322R1001 | 31 | Ammeter switch |
| OL40P12EPB | 1SCA022849R0340 | 60 | Enclosed pole change switch |
| OL40P12PB | 1SCA022756R3380 | 28 | Pole-change switch |
| OL40PW36PB | 1SCA022791R1250 | 23 | Bypass switch |
| OL40PW48PB | 1SCA022791R1330 | 23 | Bypass switch |
| OL40SDEPB | 1SCA022755R3230 | 60 | Enclosed star delta switch |
| OL40SDPB | 1SCA022756R3110 | 28 | Star-delta switch |
| OL40SO101PB | 1SCA022776R2660 | 27 | Multistep switch |
| OL40SO111PB | 1SCA022776R2820 | 27 | Multistep switch |
| OL40SO31PB | 1SCA022758R7810 | 24 | Multistep switch |
| OL40SO61PB | 1SCA022776R1420 | 26 | Multistep switch |
| OL40SO62PB | 1SCA022776R1510 | 26 | Multistep switch |
| OL40SO63PB | 1SCA022776R1690 | 26 | Multistep switch |
| OL40SO71PB | 1SCA022773R3300 | 26 | Multistep switch |
| OL40SO81PB | 1SCA022773R3480 | 26 | Multistep switch |
| OL40SO91PB | 1SCA022776R2400 | 27 | Multistep switch |
| OL40ST101PB | 1SCA022775R1110 | 27 | Multistep switch |
| OL40ST111PB | 1SCA022776R3040 | 27 | Multistep switch |
| OL40ST121PB | 1SCA022775R1200 | 27 | Multistep switch |
| OL40ST301PB | 1SCA022761R6680 | 28 | Ventilation switch |
| OL40ST61PB | 1SCA022775R1380 | 26 | Multistep switch |
| OL40ST62PB | 1SCA022776R1930 | 26 | Multistep switch |
| OL40ST63PB | 1SCA022776R2070 | 26 | Multistep switch |
| OL40ST71PB | 1SCA022776R2230 | 26 | Multistep switch |
| OL40ST81PB | 1SCA022773R4960 | 26 | Multistep switch |
| OL40ST91PB | 1SCA022775R1460 | 27 | Multistep switch |
| OL40U1PB | 1SCA022761R0990 | 20 | Change-over switch |
| OL40U1RB | 1SCA100307R1001 | 20 | Change-over switch |
| OL40U2PB | 1SCA022761R1020 | 20 | Change-over switch |
| OL40U2RB | 1SCA100308R1001 | 20 | Change-over switch |
| OL40U3PB | 1SCA022761R1110 | 20 | Change-over switch |
| OL40U3RB | 1SCA100309R1001 | 20 | Change-over switch |
| OL40U4PB | 1SCA022761R1290 | 20 | Change-over switch |
| OL40U4RB | 1SCA100311R1001 | 20 | Change-over switch |
| OL40UC3PB | 1SCA022791R0870 | 22 | Change-over switch |
| OL40UC4PB | 1SCA022791R0950 | 22 | Change-over switch |
| OL40URR1PB | 1SCA022761R1370 | 21 | Change-over switch |
| OL40URR2PB | 1SCA022761R1450 | 21 | Change-over switch |
| OL40URR3PB | 1SCA022761R1530 | 21 | Change-over switch |
| OL40W2PB | 1SCA022757R5550 | 28 | Reversing switch |
| OL40W3EPB | 1SCA022849R0180 | 60 | Enclosed reversing switch |
| OL40W3PB | 1SCA022757R5630 | 28 | Reversing switch |
| OL40WC1PB | 1SCA022799R8430 | 22 | Change-over switch |
| OL40WC2PB | 1SCA022799R8860 | 22 | Change-over switch |
| OL40WC3PB | 1SCA022799R9410 | 22 | Change-over switch |
| OL40WC4PB | 1SCA022799R9590 | 22 | Change-over switch |
| OL40WS1PB | 1SCA022761R1610 | 21 | Change-over switch |
| OL40WS1RB | 1SCA100316R1001 | 21 | Change-over switch |
| OL40WS2PB | 1SCA022761R1700 | 21 | Change-over switch |
| OL40WS2RB | 1SCA100319R1001 | 21 | Change-over switch |
| OL40WS36PB | 1SCA022791R1090 | 23 | Bypass switch |
| OL40WS3PB | 1SCA022761R1880 | 21 | Change-over switch |
| OL40WS3RB | 1SCA100320R1001 | 21 | Change-over switch |
| OL40WS48PB | 1SCA022791R1170 | 23 | Bypass switch |
| OL40WS4PB | 1SCA022761R1960 | 21 | Change-over switch |
| OL60WS4RB | 1SCA100321R1001 | 21 | Change-over switch |
| OL63A1RB | 1SCA111537R1001 | 18 | ON - OFF switch |
| OL63A2RB | 1SCA111538R1001 | 18 | ON - OFF switch |
| OL63A3RB | 1SCA111539R1001 | 18 | ON - OFF switch |
| OL63A4RB | 1SCA111540R1001 | 18 | ON - OFF switch |
| OL63A6RB | 1SCA111541R1001 | 18 | ON - OFF switch |
| OL63A8RB | 1SCA111542R1001 | 18 | ON - OFF switch |
| OL63P012RB | 1SCA111587R1001 | 28 | Pole-change switch |
| OL63PW36RB | 1SCA111591R1001 | 23 | Bypass switch |
| OL63PW48RB | 1SCA111592R1001 | 23 | Bypass switch |
| OL63SDRB | 1SCA111586R1001 | 28 | Star-delta switch |
| OL63SO31RB | 1SCA111603R1001 | 24 | Multistep switch |
| OL63U1RB | 1SCA110936R1001 | 20 | Change-over switch |
| OL63U2RB | 1SCA110937R1001 | 20 | Change-over switch |
| OL63U3RB | 1SCA111543R1001 | 20 | Change-over switch |
| OL63U4RB | 1SCA111544R1001 | 20 | Change-over switch |
| OL63UC3RB | 1SCA111593R1001 | 22 | Change-over switch |
| OL63UC4RB | 1SCA111594R1001 | 22 | Change-over switch |

| Type | Order number | Page | Description |
|-------------|-----------------|------|--------------------------|
| OL63W2RB | 1SCA111588R1001 | 28 | Reversing switch |
| OL63WC1RB | 1SCA111596R1001 | 22 | Change-over switch |
| OL63WC2RB | 1SCA111597R1001 | 22 | Change-over switch |
| OL63WC3RB | 1SCA111598R1001 | 22 | Change-over switch |
| OL63WC4RB | 1SCA111599R1001 | 22 | Change-over switch |
| OL63WS1RB | 1SCA022790R0990 | 21 | Change-over switch |
| OL63WS2RB | 1SCA022790R1020 | 21 | Change-over switch |
| OL63WS36RB | 1SCA111600R1001 | 23 | Bypass switch |
| OL63WS3RB | 1SCA022790R1110 | 21 | Change-over switch |
| OL63WS48RB | 1SCA111601R1001 | 23 | Bypass switch |
| OL63WS4RB | 1SCA022790R1290 | 21 | Change-over switch |
| OL80NA1RB | 1SCA111624R1001 | 18 | ON - OFF switch |
| OL80NA2RB | 1SCA111625R1001 | 18 | ON - OFF switch |
| OL80NA3RB | 1SCA111626R1001 | 18 | ON - OFF switch |
| OL80NA4RB | 1SCA111627R1001 | 18 | ON - OFF switch |
| OL80NA6RB | 1SCA111628R1001 | 18 | ON - OFF switch |
| OL80NA8RB | 1SCA111629R1001 | 18 | ON - OFF switch |
| OL80NP012RB | 1SCA111637R1001 | 28 | Pole-change switch |
| OL80NPW36RB | 1SCA111641R1001 | 23 | Bypass switch |
| OL80NPW48RB | 1SCA111642R1001 | 23 | Bypass switch |
| OL80NSDRB | 1SCA111636R1001 | 28 | Star-delta switch |
| OL80NSO31RB | 1SCA111655R1001 | 24 | Multistep switch |
| OL80NU1RB | 1SCA111643R1001 | 20 | Change-over switch |
| OL80NU2RB | 1SCA111630R1001 | 20 | Change-over switch |
| OL80NU3RB | 1SCA111631R1001 | 20 | Change-over switch |
| OL80NU4RB | 1SCA111632R1001 | 20 | Change-over switch |
| OL80NUC3RB | 1SCA111645R1001 | 22 | Change-over switch |
| OL80NUC4RB | 1SCA111646R1001 | 22 | Change-over switch |
| OL80NW2RB | 1SCA111638R1001 | 28 | Reversing switch |
| OL80NWC1RB | 1SCA111648R1001 | 22 | Change-over switch |
| OL80NWC2RB | 1SCA111649R1001 | 22 | Change-over switch |
| OL80NWC3RB | 1SCA111650R1001 | 22 | Change-over switch |
| OL80NWC4RB | 1SCA111651R1001 | 22 | Change-over switch |
| OL80NWS1RB | 1SCA111647R1001 | 21 | Change-over switch |
| OL80NWS2RB | 1SCA111633R1001 | 21 | Change-over switch |
| OL80NWS36RB | 1SCA111652R1001 | 23 | Bypass switch |
| OL80NWS3RB | 1SCA111634R1001 | 21 | Change-over switch |
| OL80NWS48RB | 1SCA111653R1001 | 23 | Bypass switch |
| OL80NWS4RB | 1SCA111635R1001 | 21 | Change-over switch |
| OLF130 | 1SCA022796R5420 | 36 | Front plate |
| OLF64 | 1SCA022798R6260 | 36 | Front plate |
| OLF72 | 1SCA111689R1001 | 36 | Lettering plate |
| OLF90 | 1SCA022796R5180 | 36 | Front plate |
| OLFB64 | 1SCA022796R3300 | 36 | Lettering plate |
| OLFG64 | 1SCA022796R3480 | 36 | Lettering plate |
| OLFY130 | 1SCA022796R5340 | 36 | Front plate |
| OLFY64 | 1SCA022798R6340 | 36 | Front plate |
| OLFY90 | 1SCA022796R5260 | 36 | Front plate |
| OLR1B | 1SCA111831R1001 | 33 | Handle |
| OLR1G | 1SCA111833R1001 | 33 | Handle |
| OLR1R | 1SCA111834R1001 | 33 | Handle |
| OLR2B | 1SCA022796R3720 | 33 | Handle |
| OLR2G | 1SCA022796R3810 | 33 | Handle |
| OLR2R | 1SCA022796R3990 | 33 | Handle |
| OLR3B | 1SCA022796R4110 | 33 | Handle |
| OLR3G | 1SCA022796R4290 | 33 | Handle |
| OLR3R | 1SCA022796R4370 | 33 | Handle |
| OLZ12 | 1SCA022807R0560 | 36 | Shaft sealing |
| OLZ1601L2 | 1SCA022806R0250 | 38 | Protective rear cover |
| OLZ1601L4 | 1SCA022806R0330 | 38 | Protective rear cover |
| OLZ1601L6 | 1SCA022806R0410 | 38 | Protective rear cover |
| OLZ2010RB | 1SCA116864R1001 | 35 | Pistol type handle |
| OLZ2010RR | 1SCA116866R1001 | 35 | Pistol type handle |
| OLZ20PB | 1SCA112522R1001 | 34 | Padlockable handle knob |
| OLZ20PRY | 1SCA112523R1001 | 34 | Padlockable handle knob |
| OLZ20RB | 1SCA112524R1001 | 34 | Padlockable handle knob |
| OLZ20RRY | 1SCA112525R1001 | 34 | Padlockable handle knob |
| OLZ208RB | 1SCA116862R1001 | 35 | Pistol type handle |
| OLZ208RR | 1SCA116863R1001 | 35 | Pistol type handle |
| OLZ332RB | 1SCA022794R7790 | 35 | Round padlockable handle |
| OLZ332RRY | 1SCA022794R7870 | 35 | Round padlockable handle |
| OLZ3DB | 1SCA022796R4960 | 34 | Double lever handle |
| OLZ3DR | 1SCA022796R5000 | 34 | Double lever handle |
| OLZ401L2 | 1SCA022805R9910 | 38 | Protective rear cover |
| OLZ401L4 | 1SCA022806R0090 | 38 | Protective rear cover |
| OLZ401L6 | 1SCA022806R0170 | 38 | Protective rear cover |

| Type | Order number | Page | Description |
|-----------|-----------------|------|-----------------------|
| OLZ63D34 | 1SCA022785R6720 | 38 | Protective rear cover |
| OLZ63D36 | 1SCA022785R6810 | 38 | Protective rear cover |
| OLZ63D38 | 1SCA022785R6990 | 38 | Protective rear cover |
| OLZ652 | 1SCA022819R5930 | 37 | Door coupling kit |
| OLZ653 | 1SCA022819R6070 | 37 | Door coupling kit |
| OLZ8RB | 1SCA116858R1001 | 34 | Pistol type handle |
| OLZ8RR | 1SCA116859R1001 | 34 | Pistol type handle |
| OLZ9RB | 1SCA116860R1001 | 34 | Pistol type handle |
| OLZ9RR | 1SCA116861R1001 | 34 | Pistol type handle |
| OMA01KB | 1SCA022570R7810 | 19 | ON - OFF switch |
| OMA01PB | 1SCA022570R6680 | 19 | ON - OFF switch |
| OMA02PB | 1SCA022570R6760 | 19 | ON - OFF switch |
| OMA03KB | 1SCA022570R7900 | 19 | ON - OFF switch |
| OMA03PB | 1SCA022570R6840 | 19 | ON - OFF switch |
| OMA04PB | 1SCA022570R6920 | 19 | ON - OFF switch |
| OMA05PB | 1SCA022570R7060 | 19 | ON - OFF switch |
| OMA06PB | 1SCA022570R7140 | 19 | ON - OFF switch |
| OMA1KB | 1SCA022531R4760 | 19 | ON - OFF switch |
| OMA1PB | 1SCA022531R3950 | 18 | ON - OFF switch |
| OMA2PB | 1SCA022531R4090 | 18 | ON - OFF switch |
| OMA3KB | 1SCA022531R4840 | 19 | ON - OFF switch |
| OMA3PB | 1SCA022531R4170 | 18 | ON - OFF switch |
| OMA4PB | 1SCA022531R4330 | 18 | ON - OFF switch |
| OMA5PB | 1SCA022531R4410 | 18 | ON - OFF switch |
| OMA6PB | 1SCA022531R4500 | 18 | ON - OFF switch |
| OMAU31PB | 1SCA022533R5410 | 31 | Ammeter switch |
| OMF101 | 1SCA022540R4590 | 36 | Front plate |
| OMF72 | 1SCA111687R1001 | 36 | Lettering plate |
| OMFB72 | 1SCA022555R4990 | 36 | Lettering plate |
| OMFG72 | 1SCA022556R1850 | 36 | Lettering plate |
| OMFY101 | 1SCA022796R3210 | 36 | Front plate |
| OMNX80 | 1SCA022553R8440 | 38 | Nut spanner tool |
| OMPB1 | 1SCA022553R7470 | 33 | Handle |
| OMPG1 | 1SCA022553R8010 | 33 | Handle |
| OMPR1 | 1SCA022796R2830 | 33 | Handle |
| OMPRY1 | 1SCA022796R2910 | 33 | Handle |
| OMSA2PB | 1SCA022531R6380 | 29 | Stop switch |
| OMSE158PB | 1SCA022545R4930 | 29 | Pumpstart switch |
| OMSE2PB | 1SCA022531R6460 | 29 | Start switch |
| OMSEA10PB | 1SCA022531R6540 | 29 | Start switch |
| OMSO21PB | 1SCA022533R0880 | 24 | Multistep switch |
| OMSO22PB | 1SCA022533R0960 | 24 | Multistep switch |
| OMSO23PB | 1SCA022533R1000 | 24 | Multistep switch |
| OMSO24PB | 1SCA022533R1180 | 24 | Multistep switch |
| OMSO31PB | 1SCA022545R3110 | 24 | Multistep switch |
| OMSO32PB | 1SCA022533R1420 | 24 | Multistep switch |
| OMSO33PB | 1SCA022533R1510 | 24 | Multistep switch |
| OMSO34PB | 1SCA022533R1690 | 24 | Multistep switch |
| OMSO41PB | 1SCA022533R1770 | 25 | Multistep switch |
| OMSO42PB | 1SCA022533R1850 | 25 | Multistep switch |
| OMSO43PB | 1SCA022533R3710 | 25 | Multistep switch |
| OMSO51PB | 1SCA022533R3800 | 25 | Multistep switch |
| OMSO52PB | 1SCA022533R3980 | 25 | Multistep switch |
| OMST301PB | 1SCA022533R4360 | 28 | Ventilation switch |
| OMST31PB | 1SCA022533R2580 | 25 | Multistep switch |
| OMST32PB | 1SCA022533R4010 | 25 | Multistep switch |
| OMST33PB | 1SCA022533R4100 | 25 | Multistep switch |
| OMST34PB | 1SCA022533R4280 | 25 | Multistep switch |
| OMST41PB | 1SCA022533R4440 | 25 | Multistep switch |
| OMST42PB | 1SCA022533R4610 | 25 | Multistep switch |
| OMST43PB | 1SCA022533R4790 | 25 | Multistep switch |
| OMST51PB | 1SCA022533R4870 | 25 | Multistep switch |
| OMST52PB | 1SCA022533R5090 | 25 | Multistep switch |
| OMU1KB | 1SCA022532R6340 | 20 | Change-over switch |
| OMU1PB | 1SCA022532R5960 | 20 | Change-over switch |
| OMU2PB | 1SCA022532R6000 | 20 | Change-over switch |
| OMU3KB | 1SCA022532R6420 | 20 | Change-over switch |
| OMU3PB | 1SCA022532R6180 | 20 | Change-over switch |
| OMU4PB | 1SCA022532R6260 | 20 | Change-over switch |
| OMURR1PB | 1SCA022532R6510 | 21 | Change-over switch |
| OMURR3PB | 1SCA022532R6690 | 21 | Change-over switch |
| OMV30PB | 1SCA022533R5170 | 30 | Voltmeter switch |
| OMV32PB | 1SCA022549R7740 | 30 | Voltmeter switch |
| OMV3PB | 1SCA022533R5250 | 30 | Voltmeter switch |
| OMVN30PB | 1SCA022533R5330 | 30 | Voltmeter switch |
| OMVN3PB | 1SCA022558R4470 | 30 | Voltmeter switch |



Index

| Type | Order number | Page | Description |
|------------|-----------------|------|------------------------|
| OMWC1PB | 1SCA022799R8270 | 22 | Change-over switch |
| OMWC2PB | 1SCA022799R8600 | 22 | Change-over switch |
| OMWC3PB | 1SCA022799R9080 | 22 | Change-over switch |
| OMWC4PB | 1SCA022799R9160 | 22 | Change-over switch |
| OMWS1PB | 1SCA022532R6770 | 21 | Change-over switch |
| OMWS2PB | 1SCA022532R6850 | 21 | Change-over switch |
| OMWS3PB | 1SCA022533R0610 | 21 | Change-over switch |
| OMWS4PB | 1SCA022533R0700 | 21 | Change-over switch |
| OMX99 | 1SCA022553R8100 | 36 | Lettering plate |
| OMXB1 | 1SCA022629R7270 | 33 | Handle |
| OMXNB1 | 1SCA022577R9810 | 33 | Handle |
| ONA01KB | 1SCA022570R8030 | 19 | ON - OFF switch |
| ONA01M | 1SCA022572R5630 | 19 | ON - OFF switch |
| ONA01PB | 1SCA022570R7220 | 19 | ON - OFF switch |
| ONA02M | 1SCA022572R5710 | 19 | ON - OFF switch |
| ONA02PB | 1SCA022570R7310 | 19 | ON - OFF switch |
| ONA03KB | 1SCA022570R8110 | 19 | ON - OFF switch |
| ONA03M | 1SCA022572R5800 | 19 | ON - OFF switch |
| ONA03PB | 1SCA022570R7490 | 19 | ON - OFF switch |
| ONA04PB | 1SCA022570R7570 | 19 | ON - OFF switch |
| ONA05PB | 1SCA022570R7650 | 19 | ON - OFF switch |
| ONA06M | 1SCA022572R5980 | 19 | ON - OFF switch |
| ONA06PB | 1SCA022570R7730 | 19 | ON - OFF switch |
| ONA1KB | 1SCA022531R5570 | 19 | ON - OFF switch |
| ONA1KXB | 1SCA022708R7830 | 19 | ON - OFF switch |
| ONA1M | 1SCA022531R6030 | 19 | ON - OFF switch |
| ONA1PB | 1SCA022531R4920 | 18 | ON - OFF switch |
| ONA1RB | 1SCA100196R1001 | 18 | ON - OFF switch |
| ONA1XB | 1SCA022708R3920 | 19 | ON - OFF switch |
| ONA2EPB | 1SCA022662R3410 | 60 | Enclosed ON-OFF switch |
| ONA2EZ3PRY | 1SCA112514R1001 | 60 | Enclosed ON-OFF switch |
| ONA2KXB | 1SCA100325R1001 | 19 | ON - OFF switch |
| ONA2M | 1SCA022531R6110 | 19 | ON - OFF switch |
| ONA2PB | 1SCA022531R5060 | 18 | ON - OFF switch |
| ONA2RB | 1SCA100206R1001 | 18 | ON - OFF switch |
| ONA2XB | 1SCA022708R5540 | 19 | ON - OFF switch |
| ONA3EKB | 1SCA022755R2260 | 60 | Enclosed ON-OFF switch |
| ONA3EPB | 1SCA022662R3500 | 60 | Enclosed ON-OFF switch |
| ONA3EZ3PRY | 1SCA112515R1001 | 60 | Enclosed ON-OFF switch |
| ONA3KB | 1SCA022531R5650 | 19 | ON - OFF switch |
| ONA3KXB | 1SCA022708R7910 | 19 | ON - OFF switch |
| ONA3M | 1SCA022531R6200 | 19 | ON - OFF switch |
| ONA3PB | 1SCA022531R5140 | 18 | ON - OFF switch |
| ONA3RB | 1SCA100209R1001 | 18 | ON - OFF switch |
| ONA3XB | 1SCA022708R5620 | 19 | ON - OFF switch |
| ONA4EPB | 1SCA022662R3680 | 60 | Enclosed ON-OFF switch |
| ONA4EZ3PRY | 1SCA112516R1001 | 60 | Enclosed ON-OFF switch |
| ONA4PB | 1SCA022531R5220 | 18 | ON - OFF switch |
| ONA4RB | 1SCA100214R1001 | 18 | ON - OFF switch |
| ONA4XB | 1SCA022708R5710 | 19 | ON - OFF switch |
| ONA5EPB | 1SCA022755R1020 | 60 | Enclosed ON-OFF switch |
| ONA5EZ3PRY | 1SCA112517R1001 | 60 | Enclosed ON-OFF switch |
| ONA5PB | 1SCA022531R5310 | 18 | ON - OFF switch |
| ONA6EPB | 1SCA022755R1110 | 60 | Enclosed ON-OFF switch |
| ONA6EZ3PRY | 1SCA112518R1001 | 60 | Enclosed ON-OFF switch |
| ONA6M | 1SCA022545R3020 | 19 | ON - OFF switch |
| ONA6PB | 1SCA022531R5490 | 18 | ON - OFF switch |
| ONA8EPB | 1SCA022755R1290 | 60 | Enclosed ON-OFF switch |
| ONA8EZ3PRY | 1SCA112520R1001 | 60 | Enclosed ON-OFF switch |
| ONA8PB | 1SCA022684R5230 | 18 | ON - OFF switch |
| ONA9EPB | 1SCA022761R4710 | 60 | Enclosed ON-OFF switch |
| ONA9EZ3PRY | 1SCA112521R1001 | 60 | Enclosed ON-OFF switch |
| ONAU31M | 1SCA022549R9360 | 31 | Ammeter switch |
| ONAU31PB | 1SCA022533R5840 | 31 | Ammeter switch |
| ONAU31RB | 1SCA100324R1001 | 31 | Ammeter switch |
| ONAU31XB | 1SCA022709R7550 | 31 | Ammeter switch |
| ONAU32PB | 1SCA022558R4210 | 31 | Ammeter switch |
| ONAV12PB | 1SCA022803R4250 | 31 | Volt-ammeter switch |
| ONBC0110PB | 1SCA022803R3950 | 32 | Binarycode switch |
| ONBC0112PB | 1SCA022803R4090 | 32 | Binarycode switch |
| ONBC070PB | 1SCA022803R3360 | 32 | Binarycode switch |
| ONBC071PB | 1SCA022803R3440 | 32 | Binarycode switch |
| ONBC072PB | 1SCA022803R3520 | 32 | Binarycode switch |
| ONBC090PB | 1SCA022803R3610 | 32 | Binarycode switch |
| ONBC091PB | 1SCA022803R3790 | 32 | Binarycode switch |
| ONBC092PB | 1SCA022803R3870 | 32 | Binarycode switch |

| Type | Order number | Page | Description |
|------------|-----------------|------|-----------------------------|
| ONF101 | 1SCA022540R6290 | 36 | Front plate |
| ONF72 | 1SCA111688R1001 | 36 | Lettering plate |
| ONFB72 | 1SCA022555R5020 | 36 | Lettering plate |
| ONFG72 | 1SCA022556R1930 | 36 | Lettering plate |
| ONFM101 | 1SCA022553R8520 | 36 | Front plate |
| ONFY101 | 1SCA022716R4250 | 36 | Front plate |
| ONK95SF203 | 1SCA116867R1001 | 38 | Spare key |
| ONMK95R405 | 1SCA116868R1001 | 38 | Spare key |
| ONMK95R455 | 1SCA116869R1001 | 38 | Spare key |
| ONP12EPB | 1SCA022849R0260 | 60 | Enclosed pole change switch |
| ONP12PB | 1SCA022576R6740 | 28 | Pole-change switch |
| ONPB1 | 1SCA022553R7550 | 33 | Handle |
| ONPG1 | 1SCA022553R7630 | 33 | Handle |
| ONPLB1 | 1SCA022776R5680 | 33 | Handle |
| ONPLG1 | 1SCA022776R5760 | 33 | Handle |
| ONPLR1 | 1SCA022776R5840 | 33 | Handle |
| ONPLRY1 | 1SCA022776R5920 | 33 | Handle |
| ONPR1 | 1SCA022796R3050 | 33 | Handle |
| ONPRY1 | 1SCA022796R3130 | 33 | Handle |
| ONPW36PB | 1SCA022791R0610 | 23 | Bypass switch |
| ONPW48PB | 1SCA022791R0790 | 23 | Bypass switch |
| ONRF101 | 1SCA106725R1001 | 36 | Front plate |
| ONRFY101 | 1SCA106726R1001 | 36 | Front plate |
| ONSA2PB | 1SCA022531R6710 | 29 | Stop switch |
| ONSB1 | 1SCA100878R1001 | 34 | Low extended handle knob |
| ONSEDEPB | 1SCA022662R4140 | 60 | Enclosed star delta switch |
| ONSDPB | 1SCA022579R1420 | 28 | Star-delta switch |
| ONSE158M | 1SCA022565R5830 | 29 | Pumpstart switch |
| ONSE158PB | 1SCA022534R2540 | 29 | Pumpstart switch |
| ONSE2PB | 1SCA022563R6290 | 29 | Start switch |
| ONSEA10M | 1SCA022565R5750 | 29 | Start switch |
| ONSEA10PB | 1SCA022531R6890 | 29 | Start switch |
| ONSEA10RB | 1SCA100296R1001 | 29 | Start switch |
| ONSEA10XB | 1SCA022708R9290 | 29 | Start switch |
| ONSEA1PB | 1SCA022605R8610 | 29 | Start switch |
| ONSG1 | 1SCA100879R1001 | 34 | Low extended handle knob |
| ONSO101PB | 1SCA022776R2580 | 27 | Multistep switch |
| ONSO111PB | 1SCA022776R2740 | 27 | Multistep switch |
| ONSO21M | 1SCA022532R9100 | 24 | Multistep switch |
| ONSO21PB | 1SCA022532R9610 | 24 | Multistep switch |
| ONSO21RB | 1SCA100283R1001 | 24 | Multistep switch |
| ONSO21XB | 1SCA022709R2080 | 24 | Multistep switch |
| ONSO22PB | 1SCA022532R9790 | 24 | Multistep switch |
| ONSO22RB | 1SCA100285R1001 | 24 | Multistep switch |
| ONSO22XB | 1SCA022709R2160 | 24 | Multistep switch |
| ONSO23PB | 1SCA022532R9870 | 24 | Multistep switch |
| ONSO24PB | 1SCA022532R9950 | 24 | Multistep switch |
| ONSO31M | 1SCA022532R9280 | 24 | Multistep switch |
| ONSO31PB | 1SCA022533R0020 | 24 | Multistep switch |
| ONSO31RB | 1SCA100286R1001 | 24 | Multistep switch |
| ONSO31XB | 1SCA022709R2830 | 24 | Multistep switch |
| ONSO32PB | 1SCA022533R0110 | 24 | Multistep switch |
| ONSO33PB | 1SCA022533R0290 | 24 | Multistep switch |
| ONSO34PB | 1SCA022533R0370 | 24 | Multistep switch |
| ONSO41PB | 1SCA022533R0450 | 25 | Multistep switch |
| ONSO42PB | 1SCA022533R0530 | 25 | Multistep switch |
| ONSO43PB | 1SCA022533R2230 | 25 | Multistep switch |
| ONSO51PB | 1SCA022533R2310 | 25 | Multistep switch |
| ONSO52PB | 1SCA022533R2400 | 25 | Multistep switch |
| ONSO61PB | 1SCA022776R1180 | 26 | Multistep switch |
| ONSO62PB | 1SCA022776R1260 | 26 | Multistep switch |
| ONSO63PB | 1SCA022776R1340 | 26 | Multistep switch |
| ONSO71PB | 1SCA022691R8480 | 26 | Multistep switch |
| ONSO81PB | 1SCA022661R9730 | 26 | Multistep switch |
| ONSO91PB | 1SCA022776R2310 | 27 | Multistep switch |
| ONST101PB | 1SCA022775R1540 | 27 | Multistep switch |
| ONST111PB | 1SCA022776R2910 | 27 | Multistep switch |
| ONST121PB | 1SCA022775R1620 | 27 | Multistep switch |
| ONST301M | 1SCA022533R2150 | 28 | Ventilation switch |
| ONST301PB | 1SCA022533R3120 | 28 | Ventilation switch |
| ONST31M | 1SCA022533R2070 | 25 | Multistep switch |
| ONST31PB | 1SCA022533R2740 | 25 | Multistep switch |
| ONST31RB | 1SCA100287R1001 | 25 | Multistep switch |
| ONST31XB | 1SCA022709R4610 | 25 | Multistep switch |
| ONST32PB | 1SCA022533R2820 | 25 | Multistep switch |
| ONST33PB | 1SCA022533R2910 | 25 | Multistep switch |

| Type | Order number | Page | Description |
|-----------|-----------------|------|-----------------------------|
| ONST34PB | 1SCA022533R3040 | 25 | Multistep switch |
| ONST41PB | 1SCA022533R3210 | 25 | Multistep switch |
| ONST41RB | 1SCA100288R1001 | 25 | Multistep switch |
| ONST41XB | 1SCA022709R5420 | 25 | Multistep switch |
| ONST42PB | 1SCA022533R3390 | 25 | Multistep switch |
| ONST43PB | 1SCA022533R3470 | 25 | Multistep switch |
| ONST51PB | 1SCA022533R3550 | 25 | Multistep switch |
| ONST52PB | 1SCA022533R3630 | 25 | Multistep switch |
| ONST61PB | 1SCA022761R6760 | 26 | Multistep switch |
| ONST62PB | 1SCA022776R1770 | 26 | Multistep switch |
| ONST63PB | 1SCA022776R1850 | 26 | Multistep switch |
| ONST71PB | 1SCA022776R2150 | 26 | Multistep switch |
| ONST81PB | 1SCA022685R7320 | 26 | Multistep switch |
| ONST91PB | 1SCA022775R1710 | 27 | Multistep switch |
| ONU1EPB | 1SCA022755R2850 | 60 | Enclosed change-over switch |
| ONU1KB | 1SCA022532R7740 | 20 | Change-over switch |
| ONU1M | 1SCA022532R8210 | 20 | Change-over switch |
| ONU1PB | 1SCA022532R7310 | 20 | Change-over switch |
| ONU1RB | 1SCA100216R1001 | 20 | Change-over switch |
| ONU1XB | 1SCA022708R9370 | 20 | Change-over switch |
| ONU2M | 1SCA022532R8390 | 20 | Change-over switch |
| ONU2PB | 1SCA022532R7400 | 20 | Change-over switch |
| ONU2RB | 1SCA100219R1001 | 20 | Change-over switch |
| ONU2XB | 1SCA022708R9450 | 20 | Change-over switch |
| ONU3KB | 1SCA022532R7820 | 20 | Change-over switch |
| ONU3M | 1SCA022532R8470 | 20 | Change-over switch |
| ONU3PB | 1SCA022532R7580 | 20 | Change-over switch |
| ONU3RB | 1SCA100220R1001 | 20 | Change-over switch |
| ONU3XB | 1SCA022708R9530 | 20 | Change-over switch |
| ONU4M | 1SCA022534R2710 | 20 | Change-over switch |
| ONU4PB | 1SCA022532R7660 | 20 | Change-over switch |
| ONU4RB | 1SCA100222R1001 | 20 | Change-over switch |
| ONU4XB | 1SCA022708R9610 | 20 | Change-over switch |
| ONUC3PB | 1SCA022791R0360 | 22 | Change-over switch |
| ONUC4PB | 1SCA022791R0280 | 22 | Change-over switch |
| ONUR139M | 1SCA022568R3370 | 29 | Start switch |
| ONUR139PB | 1SCA022531R6970 | 29 | Start switch |
| ONURR1M | 1SCA022568R3530 | 21 | Change-over switch |
| ONURR1PB | 1SCA022532R7910 | 21 | Change-over switch |
| ONURR2PB | 1SCA022558R4040 | 21 | Change-over switch |
| ONURR2RB | 1SCA100223R1001 | 21 | Change-over switch |
| ONURR2XB | 1SCA022709R0620 | 21 | Change-over switch |
| ONURR3PB | 1SCA022532R8040 | 21 | Change-over switch |
| ONV30M | 1SCA022549R9100 | 30 | Voltmeter switch |
| ONV30PB | 1SCA022533R5500 | 30 | Voltmeter switch |
| ONV30RB | 1SCA100263R1001 | 30 | Voltmeter switch |
| ONV30XB | 1SCA022709R7120 | 30 | Voltmeter switch |
| ONV32PB | 1SCA022549R7820 | 30 | Voltmeter switch |
| ONV3M | 1SCA022549R9280 | 30 | Voltmeter switch |
| ONV3PB | 1SCA022533R5680 | 30 | Voltmeter switch |
| ONV3RB | 1SCA100323R1001 | 30 | Voltmeter switch |
| ONV3XB | 1SCA022709R6580 | 30 | Voltmeter switch |
| ONVA21PB | 1SCA022803R4170 | 31 | Volt-ammeter switch |
| ONVN30M | 1SCA022549R9010 | 30 | Voltmeter switch |
| ONVN30PB | 1SCA022533R5760 | 30 | Voltmeter switch |
| ONVN3M | 1SCA022558R4800 | 30 | Voltmeter switch |
| ONVN3PB | 1SCA022558R4630 | 30 | Voltmeter switch |
| ONW2PB | 1SCA022586R8230 | 28 | Reversing switch |
| ONW3EPB | 1SCA022755R2930 | 60 | Enclosed reversing switch |
| ONW3PB | 1SCA022553R8790 | 28 | Reversing switch |
| ONWC1PB | 1SCA022799R8350 | 22 | Change-over switch |
| ONWC2PB | 1SCA022799R8780 | 22 | Change-over switch |
| ONWC3PB | 1SCA022799R9240 | 22 | Change-over switch |
| ONWC4PB | 1SCA022799R9320 | 22 | Change-over switch |
| ONWS1M | 1SCA022532R8710 | 22 | Change-over switch |
| ONWS1PB | 1SCA022532R8120 | 21 | Change-over switch |
| ONWS1RB | 1SCA100236R1001 | 21 | Change-over switch |
| ONWS1XB | 1SCA022709R1270 | 22 | Change-over switch |
| ONWS2M | 1SCA022532R8800 | 22 | Change-over switch |
| ONWS2PB | 1SCA022532R9360 | 21 | Change-over switch |
| ONWS2RB | 1SCA100240R1001 | 21 | Change-over switch |
| ONWS2XB | 1SCA022709R1350 | 22 | Change-over switch |
| ONWS36PB | 1SCA022791R0440 | 23 | Bypass switch |
| ONWS3M | 1SCA022532R8980 | 22 | Change-over switch |
| ONWS3PB | 1SCA022532R9440 | 21 | Change-over switch |
| ONWS3RB | 1SCA022874R9180 | 21 | Change-over switch |

| Type | Order number | Page | Description |
|------------|------------------|------|---|
| ONWS3XB | 1SCA022709R1430 | 22 | Change-over switch |
| ONWS48PB | 1SCA022791R0520 | 23 | Bypass switch |
| ONWS4M | 1SCA022532R9010 | 22 | Change-over switch |
| ONWS4PB | 1SCA022532R9520 | 21 | Change-over switch |
| ONWS4RB | 1SCA100254R1001 | 21 | Change-over switch |
| ONWS4XB | 1SCA022709R1510 | 22 | Change-over switch |
| ONWS5PB | 1SCA022624R6440 | 21 | Change-over switch |
| ONX30 | 1SCA022643R8510 | 33 | Adaptor ring |
| ONX99 | 1SCA022553R7710 | 36 | Lettering plate |
| ONXB1 | 1SCA022629R7350 | 33 | Handle |
| ONZ10L2 | 1SCA022621R1570 | 38 | Protective rear cover |
| ONZ10L4 | 1SCA022621R1650 | 38 | Protective rear cover |
| ONZ10L6 | 1SCA022621R1730 | 38 | Protective rear cover |
| ONZ11 | 1SCA022807R0300 | 36 | Shaft sealing |
| ONZ20B | 1SCA022621R1810 | 34 | Padlockable handle knob |
| ONZ20RY | 1SCA022621R1900 | 34 | Padlockable handle knob |
| ONZ37 | 1SCA022789R8810 | 37 | DIN-rail mounting plate |
| ONZ45P | 1SCA022819R5850 | 37 | Door coupling kit |
| ONZ74 | 1SCA022757R3510 | 37 | Base mounting kit |
| OTC26M25 | 1SCA022745R4680 | 61 | Enclosure |
| OTC36L3/4 | 1SCA022761R4980 | 61 | Enclosure |
| OTC36LM25 | 1SCA022761R4980 | 61 | Enclosure |
| OTC36M25 | 1SCA022757R6520 | 61 | Enclosure |
| OTC46LM40 | 1SCA112832R1001 | 61 | Enclosure |
| OTC46LRM40 | 1SCA112838R1001 | 61 | Enclosure |
| OTC46M25 | 1SCA0227745R4840 | 61 | Enclosure |
| OTUXW1 | 1SCA115687R1001 | 61 | DIN-rail |
| OX6X40 | 1SCA112994R1001 | 61 | Shaft |
| OX6X48 | 1SCA113442R1001 | 61 | Shaft |
| OX6X60 | 1SCA111459R1001 | 61 | Shaft |
| OZ331P67B | 1SCA111427R1001 | 35 | Round padlockable handle for increased protection |
| OZ331P67RY | 1SCA111429R1001 | 35 | Round padlockable handle for increased protection |
| OZ331PB | 1SCA100657R1001 | 35 | Round padlockable handle |
| OZ331PRY | 1SCA100664R1001 | 35 | Round padlockable handle |
| OZ331SPB | 1SCA112983R1001 | 35 | Round padlockable handle |
| OZ331SPRY | 1SCA113097R1001 | 35 | Round padlockable handle |
| OZ331RB | 1SCA100702R1001 | 35 | Round padlockable handle |
| OZ331RRY | 1SCA100678R1001 | 35 | Round padlockable handle |
| OZ371PB | 1SCA111684R1001 | 35 | Round padlockable handle with door coupling |
| OZ371PRY | 1SCA111685R1001 | 35 | Round padlockable handle with door coupling |
| OZB372 | 1SCA113098R1001 | 36 | Lettering plate |
| OZG71 | 1SCA111686R1001 | 35 | Shaft guide for OZ371P_ handle |
| TL.0729 | 1SCA022704R2310 | 37 | Chamber to chamber connection jumper |
| TL.0732 | 1SCA022704R2220 | 37 | Chamber to chamber connection jumper |
| TL.0781 | 1SCA022704R2140 | 37 | Chamber to chamber connection jumper |

Contact us

ABB Oy

Low Voltage Products

P.O. Box 622

FI-65101 Vaasa, Finland

Phone: +358 10 22 11

Fax: +358 22 45708

E-Mail: firstname.surname@fi.abb.com

www.abb.com

The technical data and dimensions are valid at the time of printing.
We reserve the right to subsequent alterations.



X-ON Electronics

Largest Supplier of Electrical and Electronic Components

Click to view similar products for [abb manufacturer](#):

Other Similar products are found below :

[TV10-516R](#) [017667013](#) [RF727](#) [2CMA100178R1000](#) [2CMA100163R1000](#) [5SDD 92Z0401](#) [ESV14-BS](#) [EVS-21-250](#) [F204AC-40/0.03](#) [F362-25/0.03](#) [GJL1211201R8000](#) [GJL1211501R8000](#) [GJL1213001R0017](#) [GJL1213001R0101](#) [GJL1311001R0011](#) [GJL1311001R0101](#) [GJL1311001R8010](#) [GJL1311201R0001](#) [GJL1313001R0011](#) [GJL1313001R0101](#) [GJL1317201R0001](#) [A40-30-10-84](#) [AF09-30-01-11](#) [AF460-30-11-68](#) [1455](#) [B14-250](#) [EF45-30](#) [ERG297](#) [HSC2-20](#) [1SAM201904R1001](#) [1SAM350000R1003](#) [1SAZ721201R1009](#) [1SAZ721201R1014](#) [1SAZ721201R1025](#) [1SBL157001R1310](#) [1SBL277001R1300](#) [1SBL277001R4100](#) [1SBL367001R1300](#) [1SBL387001R4100](#) [1SBN010110R1001](#) [1SBN010110R1010](#) [1SBN010140R1022](#) [1SBN010140R1122](#) [1SDA057197R1](#) [1SFA611101R1002](#) [1SFA611130R1103](#) [1SFA611131R1101](#) [1SFA611143R1101](#) [1SFA611202R1108](#) [1SFA611203R1108](#)