

## 3A Digital PicoDlynx™: Non-Isolated DC-DC Power Modules

3Vdc –14.4Vdc input; 0.45Vdc to 5.5Vdc output; 3A Output Current

TUNABLE  
LOOP™

PMBus



RoHS Compliant

### Applications

Industrial equipment

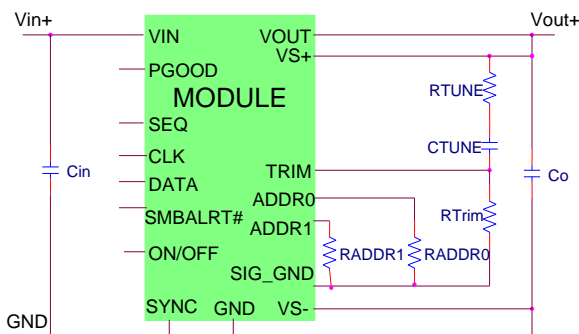
Distributed power architectures

Intermediate bus voltage applications

Telecommunications equipment

### Features

- Compliant to RoHS Directive 2011/65/EU and amended Directive (EU) 2015/863.
- Compliant to REACH Directive (EC) No 1907/2006.
- Compatible in a Pb-free or SnPb reflow environment.
- Compliant to IPC-9592 (September 2008), Category 2, Class II
- Use ABB specified module version and process for SMT placement on bottom side of board (-D version only)
- DOSA based
- Wide Input voltage range (3Vdc-14.4Vdc)
- Output voltage programmable from 0.6Vdc to 5.5Vdc via external resistor. Digitally adjustable down to 0.45Vdc
- Digital interface through the PMBus™# protocol
- Tunable Loop™ to optimize dynamic output voltage response
- Flexible output voltage sequencing EZ-SEQUENCE
- Power Good signal
- Fixed switching frequency with capability of external synchronization
- Output overcurrent protection (non-latching)
- Over temperature protection
- Remote On/Off
- Ability to sink and source current
- Cost efficient open frame design
- Small size: 12.2 mm x 12.2 mm x 6.25 mm (0.48 in x 0.48 in x 0.246 in)
- Wide operating temperature range [-40°C to 105°C (Ruggedized: -D), 85°C(Regular)]
- ANSI/UL\* 62368-1 and CAN/CSA† C22.2 No. 62368-1 Recognized, DIN VDE‡ 0868-1/A11:2017 (EN62368-1:2014/A11:2017)
- ISO\*\* 9001 and ISO 14001 certified manufacturing facilities



### Description

The 3A Digital PicoDlynx™ power modules are non-isolated dc-dc converters that can deliver up to 3A of output current. These modules operate over a wide range of input voltage ( $V_{IN} = 3Vdc-14.4Vdc$ ) and provide a precisely regulated output voltage from 0.45Vdc to 5.5Vdc, programmable via an external resistor and PMBus control. Features include a digital interface using the PMBus protocol, remote On/Off, adjustable output voltage, over current and over temperature protection. The PMBus interface supports a range of commands to both control and monitor the module. The module also includes the Tunable Loop™ feature that allows the user to optimize the dynamic response of the converter to match the load with reduced amount of output capacitance leading to savings on cost and PWB area.

\* UL is a registered trademark of Underwriters Laboratories, Inc.

† CSA is a registered trademark of Canadian Standards Association.

‡ VDE is a trademark of Verband Deutscher Elektrotechniker e.V.

\*\* ISO is a registered trademark of the International Organization of Standards

# The PMBus name and logo are registered trademarks of the System Management Interface Forum (SMIF)

## 3A Digital PicoDLynx™: Non-Isolated DC-DC Power Modules

3Vdc –14.4Vdc input; 0.45Vdc to 5.5Vdc output; 3A Output Current

### Absolute Maximum Ratings

Stresses in excess of the absolute maximum ratings can cause permanent damage to the device. These are absolute stress ratings only, functional operation of the device is not implied at these or any other conditions in excess of those given in the operations sections of the data sheet. Exposure to absolute maximum ratings for extended periods can adversely affect the device reliability.

| Parameter   | Device | Symbol    | Min  | Max | Unit |
|---|--------|-----------|------|-----|------|
| Input Voltage<br>Continuous   | All    | $V_{IN}$  | -0.3 | 15  | V    |
| SEQ, SYNC, VS+  | All    |           |      | 7   | V    |
| CLK, DATA, SMBALERT   | All    |           |      | 3.6 | V    |
| Operating Ambient Temperature<br>(see Thermal Considerations section) | All    | $T_A$     | -40  | 85  | °C   |
| Storage Temperature   | All    | $T_{stg}$ | -55  | 125 | °C   |

### Electrical Specifications

Unless otherwise indicated, specifications apply over all operating input voltage, resistive load, and temperature conditions.

| Parameter  | Device                   | Symbol            | Min | Typ  | Max  | Unit             |
|--|--------------------------|-------------------|-----|------|------|------------------|
| Operating Input Voltage  | All                      | $V_{IN}$          | 3   | —    | 14.4 | Vdc              |
| Maximum Input Current<br>( $V_{IN}=3V$ to 14V, $I_O=I_{O,max}$ )   | All                      | $I_{IN,max}$      |     |      | 2.8  | Adc              |
| Input No Load Current<br>( $V_{IN} = 12Vdc$ , $I_O = 0$ , module enabled)  | $V_{O,set} = 0.6$<br>Vdc | $I_{IN,No\ load}$ |     | 17.5 |      | mA               |
|  | $V_{O,set} = 5Vdc$       | $I_{IN,No\ load}$ |     | 43   |      | mA               |
| Input Stand-by Current<br>( $V_{IN} = 12Vdc$ , module disabled)  | All                      | $I_{IN,stand-by}$ |     | 6.4  |      | mA               |
| Inrush Transient   | All                      | $I^2t$            |     |      | 1    | A <sup>2</sup> s |
| Input Reflected Ripple Current, peak-to-peak<br>(5Hz to 20MHz, 1μH source impedance; $V_{IN}=0$ to 14V, $I_O=I_{O,max}$ ; See Test Configurations) | All                      |                   |     | 100  |      | mAp-p            |
| Input Ripple Rejection (120Hz)   | All                      |                   |     | -57  |      | dB               |

## 3A Digital PicoDLynx™: Non-Isolated DC-DC Power Modules

3Vdc – 14.4Vdc input; 0.45Vdc to 5.5Vdc output; 3A Output Current

### Electrical Specifications (continued)

| Parameter  | Device            | Symbol   | Min            | Typ  | Max                | Unit                                     |
|--|-------------------|--|----------------|--|--------------------|--|
| Output Voltage Set-point (with 0.1% tolerance for external resistor used to set output voltage)  | All               | $V_{O,set}$  | -1.0           |  | +1.0               | % $V_{O,set}$                            |
| Output Voltage (Over all operating input voltage, resistive load, and temperature conditions until end of life)  | All               | $V_{O,set}$  | -3.0           | —  | +3.0               | % $V_{O,set}$                            |
| Adjustment Range (selected by an external resistor)<br>(Some output voltages may not be possible depending on the input voltage – see Feature Descriptions Section)  | All               | $V_O$  | 0.6            |  | 5.5                | Vdc                                      |
| PMBus Adjustable Output Voltage Range  | All               | $V_{O,adj}$  | -25            | 0  | +25                | % $V_{O,set}$                            |
| PMBus Output Voltage Adjustment Step Size  | All               |  | 0.4            |  |                    | % $V_{O,set}$                            |
| Remote Sense Range   | All               |  |                |  | 0.5                | Vdc                                      |
| Output Regulation (for $V_O \geq 2.5Vdc$ )<br>Line ( $V_{IN}=V_{IN,min}$ to $V_{IN,max}$ )<br>Load ( $I_O=I_{O,min}$ to $I_{O,max}$ )  | All<br>All        |  |                | —<br>—                                       | +0.4<br>10         | % $V_{O,set}$<br>mV                      |
| Output Regulation (for $V_O < 2.5Vdc$ )<br>Line ( $V_{IN}=V_{IN,min}$ to $V_{IN,max}$ )<br>Load ( $I_O=I_{O,min}$ to $I_{O,max}$ )<br>Temperature ( $T_{ref}=T_{A,min}$ to $T_{A,max}$ )                                       | All<br>All<br>All |  |                | —<br>—<br>—                                  | 5<br>10<br>0.4     | mV<br>mV<br>% $V_{O,set}$                |
| Output Ripple and Noise on nominal output<br>( $V_{IN}=V_{IN,nom}$ and $I_O=I_{O,min}$ to $I_{O,max}$ $C_O = 0.1\mu F // 22\mu F$ ceramic capacitors)<br>Peak-to-Peak (5Hz to 20MHz bandwidth)<br>RMS (5Hz to 20MHz bandwidth) | All<br>All        |  | —              | 50<br>20                                     | 100<br>38          | mV <sub>pk-pk</sub><br>mV <sub>rms</sub> |
| External Capacitance <sup>1</sup><br>Without the Tunable Loop™<br>ESR $\geq 1\text{ m}\Omega$<br>With the Tunable Loop™<br>ESR $\geq 0.15\text{ m}\Omega$<br>ESR $\geq 10\text{ m}\Omega$                                      | All<br>All<br>All | $C_{O,max}$<br>$C_{O,max}$<br>$C_{O,max}$                | 10<br>22<br>22 | —<br>—<br>—                                  | 22<br>1000<br>3000 | $\mu F$<br>$\mu F$<br>$\mu F$            |
| Output Current (in either sink or source mode)   | All               | $I_O$  | 0              |  | 3                  | A <sub>dc</sub>                          |
| Output Current Limit Inception (Hiccup Mode)<br>(current limit does not operate in sink mode)  | All               | $I_{O,lim}$  |                | 270  |                    | % $I_{O,max}$                            |
| Output Short-Circuit Current<br>( $V_O \leq 250mV$ ) (Hiccup Mode)   | All               | $I_{O,s/c}$  |                | 268  |                    | mArms                                    |
| Efficiency<br>$V_{IN} = 12Vdc$ , $T_A = 25^\circ C$<br>$I_O = I_{O,max}$ , $V_O = V_{O,set}$   |                   | $\eta$<br>$\eta$<br>$\eta$<br>$\eta$<br>$\eta$<br>$\eta$ |                | 72.4<br>83.2<br>87.5<br>90.1<br>91.9<br>94.0 |                    | %<br>%<br>%<br>%<br>%<br>%               |
| Switching Frequency  | All               | $f_{sw}$   | —              | 600  | —                  | kHz                                      |

<sup>1</sup> External capacitors may require using the new Tunable Loop™ feature to ensure that the module is stable as well as getting the best transient response. See the Tunable Loop™ section for details.

# 3A Digital PicoDLynx™: Non-Isolated DC-DC Power Modules

3Vdc –14.4Vdc input; 0.45Vdc to 5.5Vdc output; 3A Output Current

## Electrical Specifications (continued)

| Parameter                       | Device | Symbol               | Min | Typ | Max | Unit |
|---------------------------------|--------|----------------------|-----|-----|-----|------|
| Frequency Synchronization       | All    |                      |     |     |     |      |
| Synchronization Frequency Range | All    |                      | 510 |     | 720 | kHz  |
| High-Level Input Voltage        | All    | V <sub>IH</sub>      | 2.0 |     |     | V    |
| Low-Level Input Voltage         | All    | V <sub>IL</sub>      |     |     | 0.4 | V    |
| Input Current, SYNC             | All    | I <sub>SYNC</sub>    |     |     | 100 | nA   |
| Minimum Pulse Width, SYNC       | All    | t <sub>SYNC</sub>    | 100 |     |     | ns   |
| Maximum SYNC rise time          | All    | t <sub>SYNC_SH</sub> | 100 |     |     | ns   |

## General Specifications

| Parameter   | Device | Min | Typ         | Max | Unit    |
|---|--------|-----|-------------|-----|---------|
| Calculated MTBF (I <sub>O</sub> =0.8I <sub>O,max</sub> , T <sub>A</sub> =40°C) Telecordia Issue 2 Method 1 Case 3 | All    |     | 19,508,839  |     | Hours   |
| Weight  |        | —   | 0.96(0.034) | —   | g (oz.) |

## Feature Specifications

Unless otherwise indicated, specifications apply over all operating input voltage, resistive load, and temperature conditions. See Feature Descriptions for additional information.

| Parameter   | Device | Symbol          | Min  | Typ | Max                 | Unit |
|---|--------|-----------------|------|-----|---------------------|------|
| On/Off Signal Interface<br>(V <sub>IN</sub> =V <sub>IN,min</sub> to V <sub>IN,max</sub> ; open collector or equivalent, Signal referenced to GND) |        |                 |      |     |                     |      |
| Device code with suffix "4" – Positive Logic (See Ordering Information)   |        |                 |      |     |                     |      |
| Logic High (Module ON)  |        |                 |      |     |                     |      |
| Input High Current  | All    | I <sub>IH</sub> |      | —   | 1                   | mA   |
| Input High Voltage  | All    | V <sub>IH</sub> | 2    | —   | V <sub>IN,max</sub> | V    |
| Logic Low (Module OFF)  |        |                 |      |     |                     |      |
| Input Low Current   | All    | I <sub>IL</sub> | —    | —   | 1                   | mA   |
| Input Low Voltage   | All    | V <sub>IL</sub> | -0.2 | —   | 0.6                 | V    |
| Device Code with no suffix – Negative Logic (See Ordering Information)  |        |                 |      |     |                     |      |
| (On/OFF pin is open collector/drain logic input with external pull-up resistor; signal referenced to GND)   |        |                 |      |     |                     |      |
| Logic High (Module OFF)   |        |                 |      |     |                     |      |
| Input High Current  | All    | I <sub>IH</sub> | —    | —   | 1                   | mA   |
| Input High Voltage  | All    | V <sub>IH</sub> | 2.0  | —   | V <sub>IN,max</sub> | Vdc  |
| Logic Low (Module ON)   |        |                 |      |     |                     |      |
| Input low Current   | All    | I <sub>IL</sub> | —    | —   | 10                  | µA   |
| Input Low Voltage   | All    | V <sub>IL</sub> | -0.2 | —   | 0.6                 | Vdc  |

### 3A Digital PicoDLynx™: Non-Isolated DC-DC Power Modules

3Vdc –14.4Vdc input; 0.45Vdc to 5.5Vdc output; 3A Output Current

#### Feature Specifications (cont.)

| Parameter   | Device | Symbol       | Min | Typ  | Max | Units          |
|---|--------|--------------|-----|------|-----|----------------|
| Turn-On Delay and Rise Times  |        |              |     |      |     |                |
| ( $V_{IN}=V_{IN,nom}$ , $I_O=I_{O,max}$ , $V_O$ to within $\pm 1\%$ of steady state)  |        |              |     |      |     |                |
| Case 1: On/Off input is enabled and then input power is applied (delay from instant at which $V_{IN} = V_{IN,min}$ until $V_O = 10\%$ of $V_{O, set}$ )                               | All    | Tdelay       | –   | 0.4  | –   | msec           |
| Case 2: Input power is applied for at least one second and then the On/Off input is enabled (delay from instant at which $V_{on/Off}$ is enabled until $V_O = 10\%$ of $V_{O, set}$ ) | All    | Tdelay       | –   | 0.4  | –   | msec           |
| Output voltage Rise time (time for $V_O$ to rise from 10% of $V_{O, set}$ to 90% of $V_{O, set}$ )  | All    | Trise        | –   | 2.4  | –   | msec           |
| Output voltage overshoot ( $T_A = 25^\circ C$<br>$V_{IN} = V_{IN,min}$ to $V_{IN,max}$ , $I_O = I_{O,min}$ to $I_{O,max}$ )<br>With or without maximum external capacitance           |        |              |     |      | 3.0 | % $V_{O, set}$ |
| Over Temperature Protection<br>(See Thermal Considerations section)   | All    | $T_{ref}$    |     | 150  |     | $^\circ C$     |
| PMBus Over Temperature Warning Threshold*   | All    | $T_{WARN}$   |     | 130  |     | $^\circ C$     |
| Tracking Accuracy (Power-Up: 2V/ms)   | All    | VSEQ – $V_O$ |     |      | 100 | mV             |
| (Power-Down: 2V/ms)   | All    | VSEQ – $V_O$ |     |      | 100 | mV             |
| ( $V_{IN,min}$ to $V_{IN,max}$ ; $I_{O,min}$ to $I_{O,max}$ VSEQ < $V_O$ )  |        |              |     |      |     |                |
| Input Undervoltage Lockout  |        |              |     |      |     |                |
| Turn-on Threshold   | All    |              |     | 2.71 |     | Vdc            |
| Turn-off Threshold  | All    |              |     | 2.41 |     | Vdc            |
| Hysteresis  | All    |              |     | 0.3  |     | Vdc            |
| PMBus Adjustable Input Under Voltage Lockout Thresholds   | All    |              | 2.5 |      | 14  | Vdc            |
| Resolution of Adjustable Input Under Voltage Threshold  | All    |              |     |      | 500 | mV             |
| PGOOD (Power Good)  |        |              |     |      |     |                |
| Signal Interface Open Drain, $V_{supply} \leq 5VDC$   |        |              |     |      |     |                |
| Overvoltage threshold for PGOOD ON  | All    |              |     | 108  |     | % $V_{O, set}$ |
| Overvoltage threshold for PGOOD OFF   | All    |              |     | 110  |     | % $V_{O, set}$ |
| Undervoltage threshold for PGOOD ON   | All    |              |     | 92   |     | % $V_{O, set}$ |
| Undervoltage threshold for PGOOD OFF  | All    |              |     | 90   |     | % $V_{O, set}$ |
| Pull-down resistance of PGOOD pin   | All    |              |     |      | 50  | $\Omega$       |
| Sink current capability into PGOOD pin  | All    |              |     |      | 5   | mA             |

\* Over temperature Warning – Warning may not activate before alarm and unit may shutdown before warning

## 3A Digital PicoDlynx™: Non-Isolated DC-DC Power Modules

3Vdc –14.4Vdc input; 0.45Vdc to 5.5Vdc output; 3A Output Current

### Digital Interface Specifications

Unless otherwise indicated, specifications apply over all operating input voltage, resistive load, and temperature conditions. See Feature Descriptions for additional information.

| Parameter  | Conditions                    | Symbol          | Min      | Typ    | Max     | Unit    |
|--|-------------------------------|-----------------|----------|--------|---------|---------|
| <b>PMBus Signal Interface Characteristics</b>                                    |                               |                 |          |        |         |         |
| Input High Voltage (CLK, DATA)   |                               | $V_{IH}$        | 2.1      |        | 3.6     | V       |
| Input Low Voltage (CLK, DATA)  |                               | $V_{IL}$        |          |        | 0.8     | V       |
| Input high level current (CLK, DATA)   |                               | $I_{IH}$        | -10      |        | 10      | $\mu$ A |
| Input low level current (CLK, DATA)  |                               | $I_{IL}$        | -10      |        | 10      | $\mu$ A |
| Output Low Voltage (CLK, DATA, SMBALERT#)  | $I_{OUT}=2\text{mA}$          | $V_{OL}$        |          |        | 0.4     | V       |
| Output high level open drain leakage current (DATA, SMBALERT#)                   | $V_{OUT}=3.6\text{V}$         | $I_{OH}$        | 0        |        | 10      | $\mu$ A |
| Pin capacitance  |                               | $C_o$           |          | 0.7    |         | pF      |
| PMBus Operating frequency range  | Slave Mode                    | $F_{PMB}$       | 10       |        | 400     | kHz     |
| Data hold time   | Receive Mode<br>Transmit Mode | $t_{HD:DAT}$    | 0<br>300 |        |         | ns      |
| Data setup time  |                               | $t_{SU:DAT}$    | 250      |        |         | ns      |
| <b>Measurement System Characteristics</b>  |                               |                 |          |        |         |         |
| Read delay time  |                               | $t_{DLY}$       | 153      | 192    | 231     | $\mu$ s |
| Output current measurement range   |                               | $I_{RNG}$       | 0        |        | 18      | A       |
| Output current measurement resolution  |                               | $I_{RES}$       | 62.5     |        |         | mA      |
| Output current measurement gain accuracy accuracy at 25°C (with $I_{OUT,CORR}$ ) |                               | $I_{ACC}$       |          |        | $\pm 5$ | %       |
| Output current measurement offset  |                               | $I_{OFST}$      |          |        | 0.1     | A       |
| $V_{OUT}$ measurement range  |                               | $V_{OUT(rng)}$  | 0        |        | 5.5     | V       |
| $V_{OUT}$ measurement resolution   |                               | $V_{OUT(res)}$  |          | 15.625 |         | mV      |
| $V_{OUT}$ measurement accuracy   |                               | $V_{OUT(gain)}$ | -15      |        | 15      | %       |
| $V_{OUT}$ measurement offset   |                               | $V_{OUT(ofst)}$ | -3       |        | 3       | %       |
| $V_{IN}$ measurement range   |                               | $V_{IN(rng)}$   | 3        |        | 14.4    | V       |
| $V_{IN}$ measurement resolution  |                               | $V_{IN(res)}$   |          | 32.5   |         | mV      |
| $V_{IN}$ measurement accuracy  |                               | $V_{IN(gain)}$  | -15      |        | 15      | %       |
| $V_{IN}$ measurement offset  |                               | $V_{IN(ofst)}$  | -5.5     |        | 1.4     | LSB     |

# 3A Digital PicoDlynx™: Non-Isolated DC-DC Power Modules

3Vdc – 14.4Vdc input; 0.45Vdc to 5.5Vdc output; 3A Output Current

## Characteristic Curves

The following figures provide typical characteristics for the 3A Digital PicoDlynx™ at 0.6Vo and 25°C.

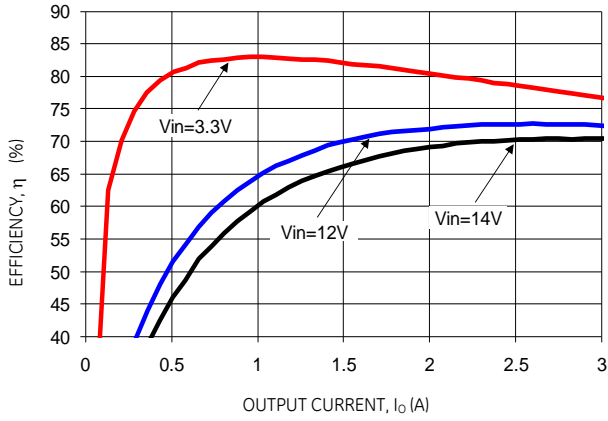


Figure 1. Converter Efficiency versus Output Current.

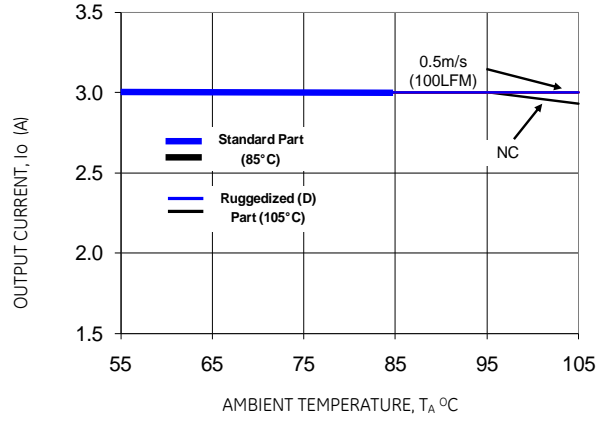


Figure 2. Derating Output Current versus Ambient Temperature and Airflow.

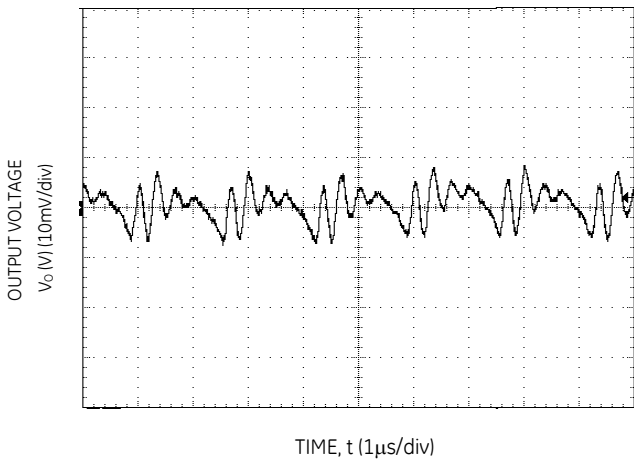


Figure 3. Typical output ripple and noise (Co=10µF ceramic, VIN = 12V, Io = Io,max).

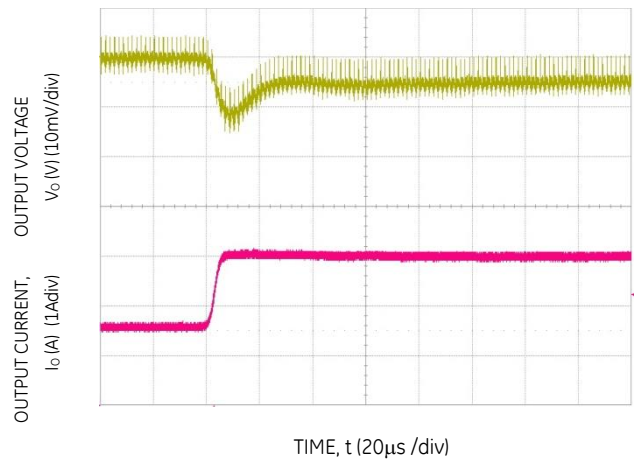


Figure 4. Transient Response to Dynamic Load Change from 50% to 100% at 12Vin, Cout= 1x47µF+2x330µF, CTune=27nF, RTune=180

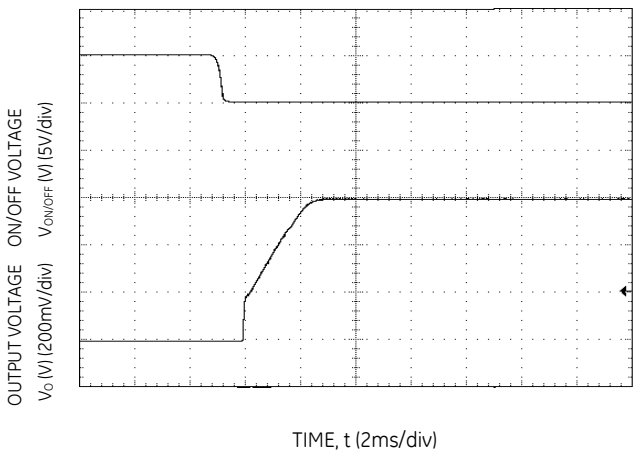


Figure 5. Typical Start-up Using On/Off Voltage (Io = Io,max).

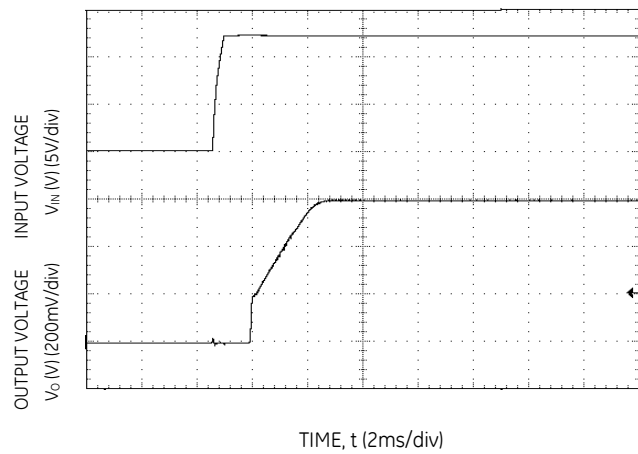


Figure 6. Typical Start-up Using Input Voltage (VIN = 12V, Io = Io,max).

# 3A Digital PicoDlynx™: Non-Isolated DC-DC Power Modules

3Vdc –14.4Vdc input; 0.45Vdc to 5.5Vdc output; 3A Output Current

## Characteristic Curves

The following figures provide typical characteristics for the 3A Digital PicoDlynx™ at 1.2Vo and 25°C.

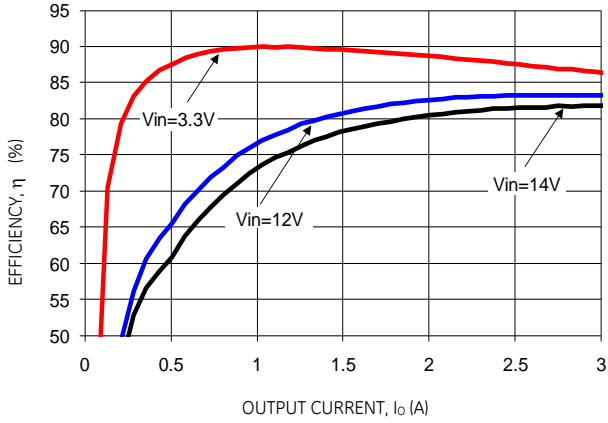


Figure 7. Converter Efficiency versus Output Current.

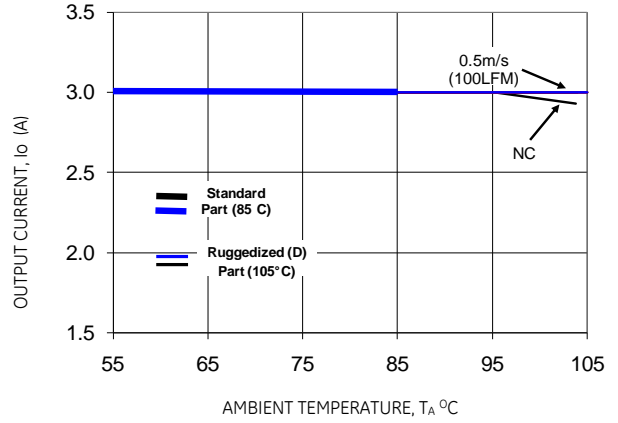


Figure 8. Derating Output Current versus Ambient Temperature and Airflow.

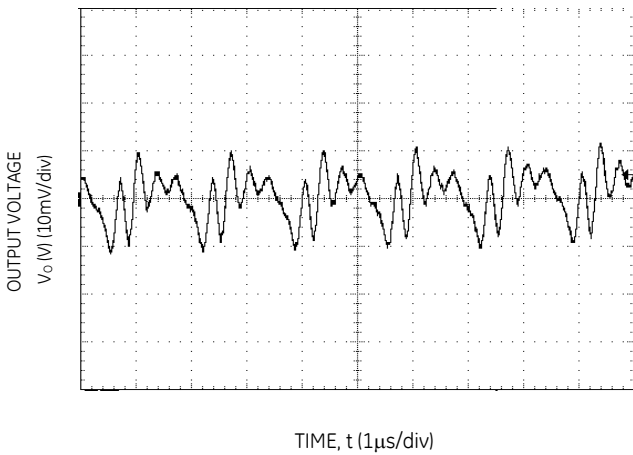


Figure 9. Typical output ripple and noise (Co=10µF ceramic, VIN = 12V, Io = Io,max.).

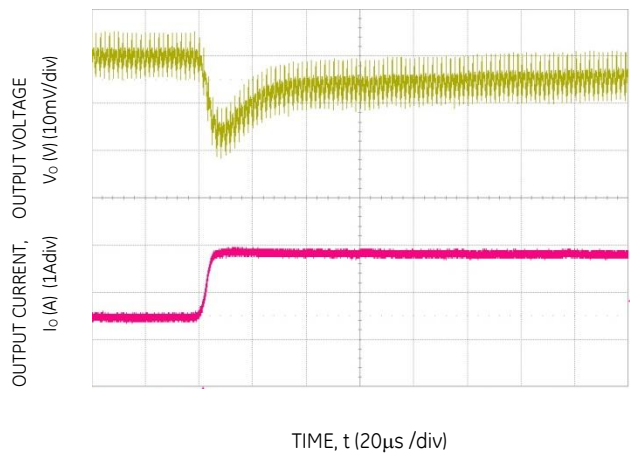


Figure 10. Transient Response to Dynamic Load Change from 50% to 100% at 12Vin, Cout= 1x47µF+1x330µF, CTune=10nF & RTune=267

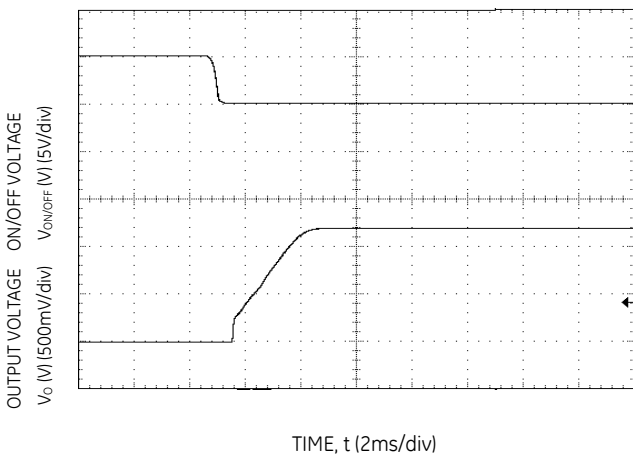


Figure 11. Typical Start-up Using On/Off Voltage (Io = Io,max.).

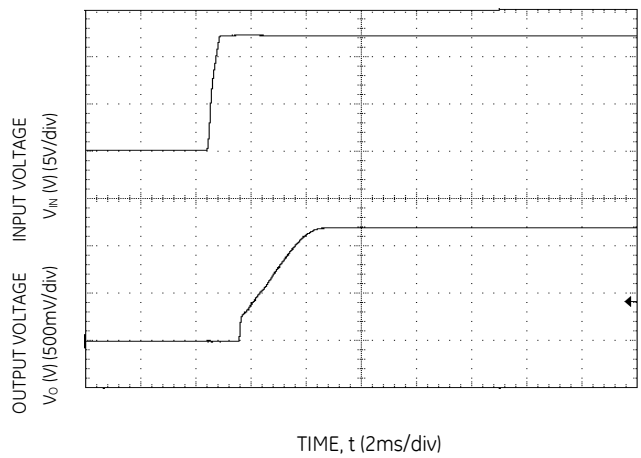


Figure 12. Typical Start-up Using Input Voltage (VIN = 12V, Io = Io,max.).



# 3A Digital PicoDlynx™: Non-Isolated DC-DC Power Modules

3Vdc – 14.4Vdc input; 0.45Vdc to 5.5Vdc output; 3A Output Current

## Characteristic Curves

The following figures provide typical characteristics for the 3A Digital PicoDlynx™ at 1.8V<sub>o</sub> and 25°C.

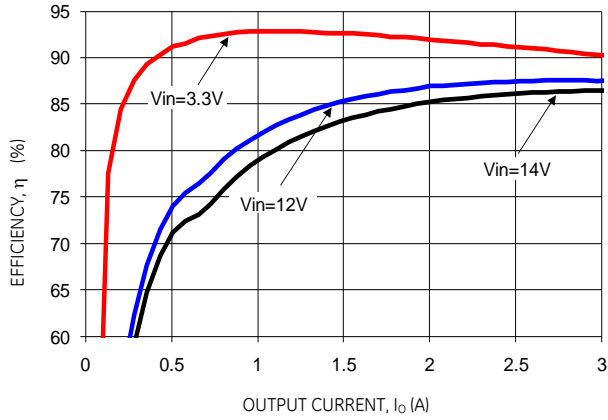


Figure 13. Converter Efficiency versus Output Current.

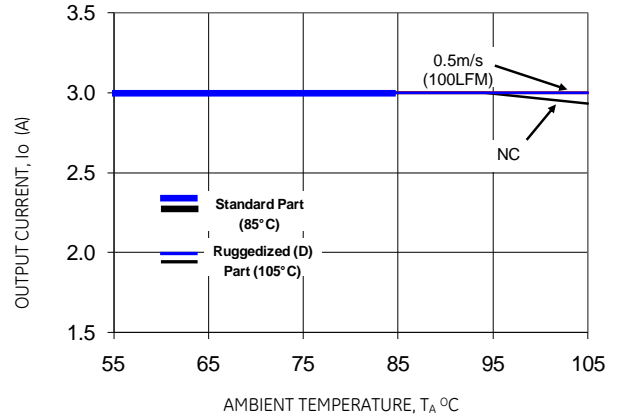


Figure 14. Derating Output Current versus Ambient Temperature and Airflow.

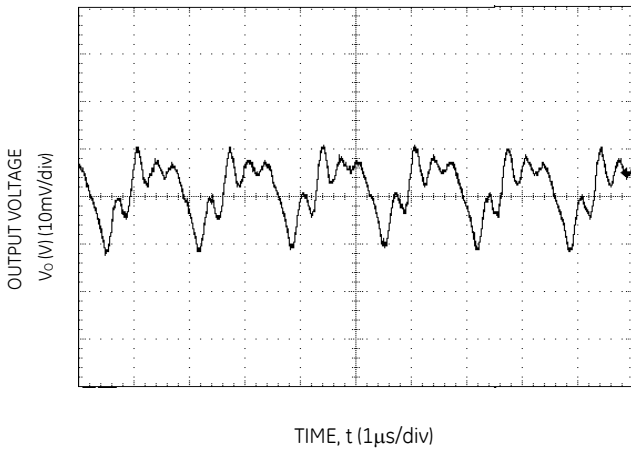


Figure 15. Typical output ripple and noise (C<sub>o</sub>=10µF ceramic, V<sub>IN</sub> = 12V, I<sub>o</sub> = I<sub>o,max</sub>).

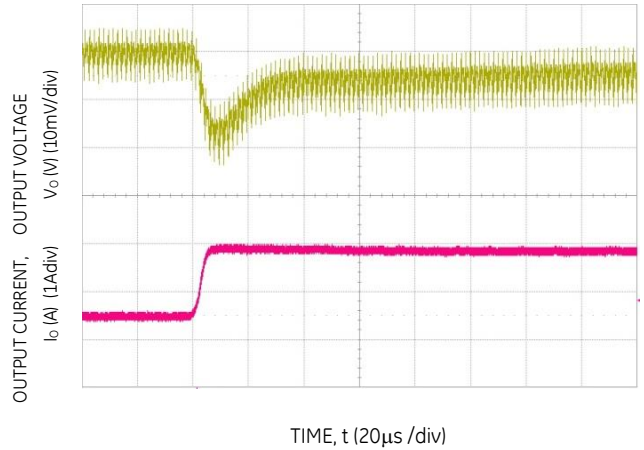


Figure 16. Transient Response to Dynamic Load Change from 50% to 100% at 12Vin, C<sub>out</sub>= 1x47µF +1x330µF, CTune=10nF & RTune=267

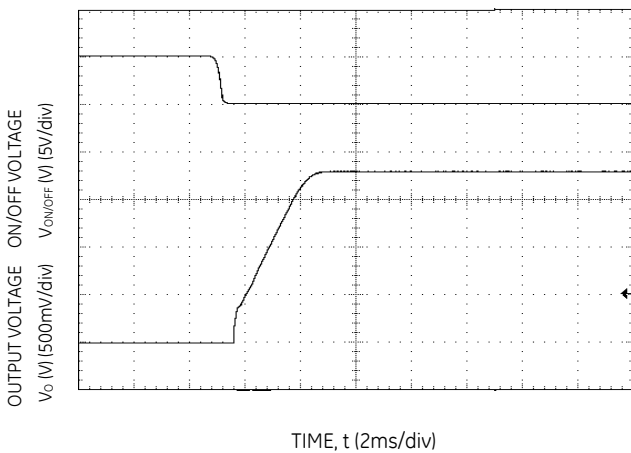


Figure 17. Typical Start-up Using On/Off Voltage (I<sub>o</sub> = I<sub>o,max</sub>).

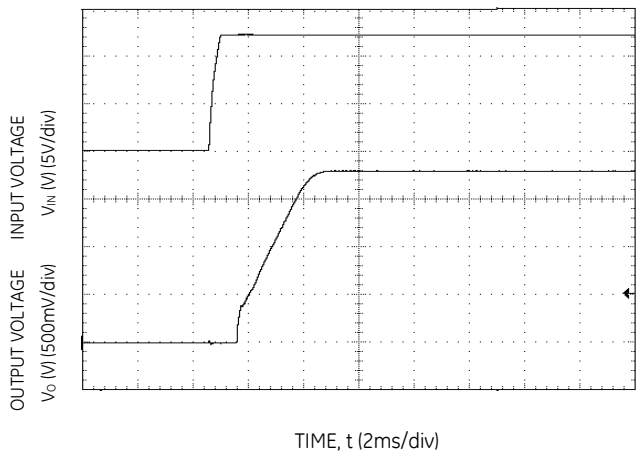


Figure 18. Typical Start-up Using Input Voltage (V<sub>IN</sub> = 12V, I<sub>o</sub> = I<sub>o,max</sub>).

# 3A Digital PicoDLynx™: Non-Isolated DC-DC Power Modules

3Vdc –14.4Vdc input; 0.45Vdc to 5.5Vdc output; 3A Output Current

## Characteristic Curves

The following figures provide typical characteristics for the 3A Digital PicoDLynx™ at 2.5Vo and 25°C.

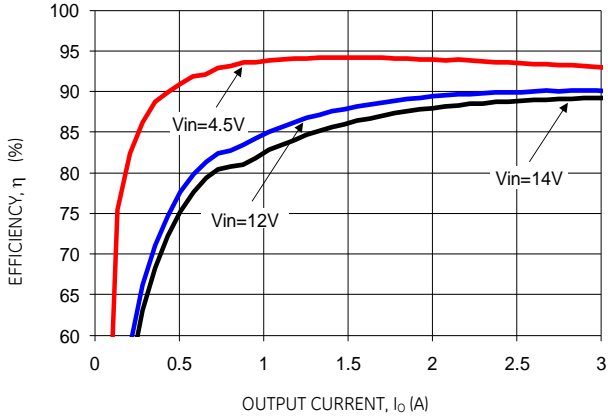


Figure 19. Converter Efficiency versus Output Current.

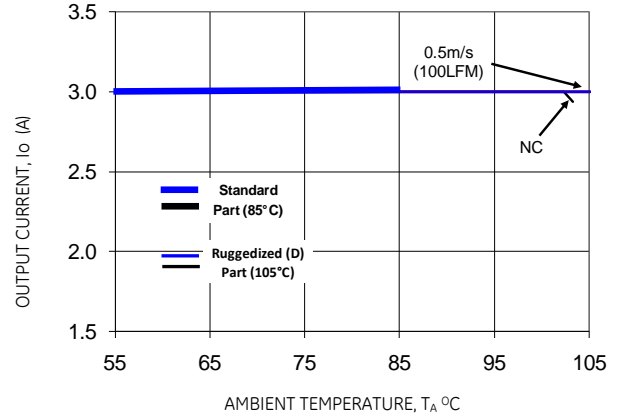


Figure 20. Derating Output Current versus Ambient Temperature and Airflow.

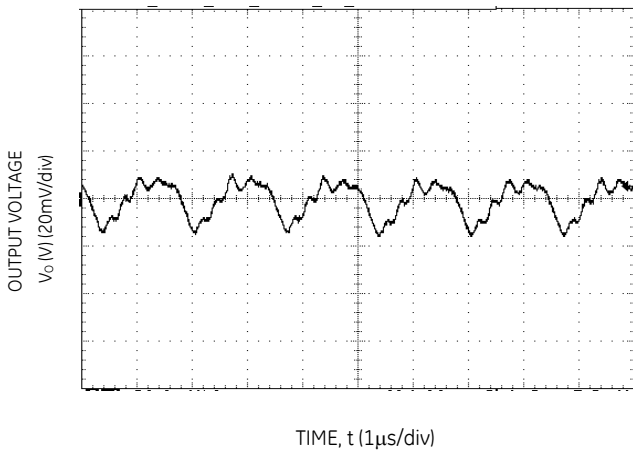


Figure 21. Typical output ripple and noise (Co=10µF ceramic, VIN = 12V, Io = Io,max.).

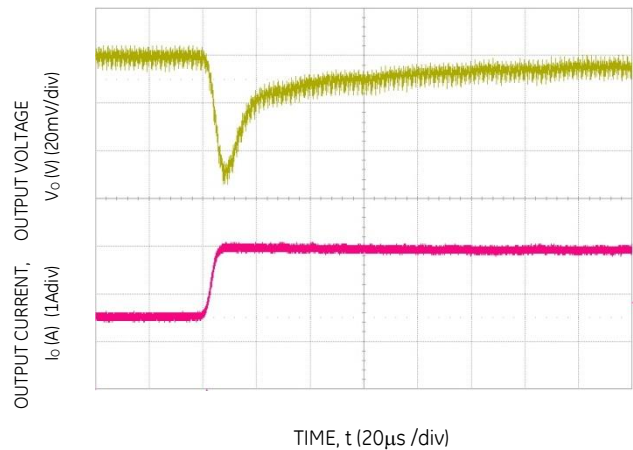


Figure 22. Transient Response to Dynamic Load Change from 50% to 100% at 12Vin, Cout= 2x47uF, CTune=2700pF & RTune=267

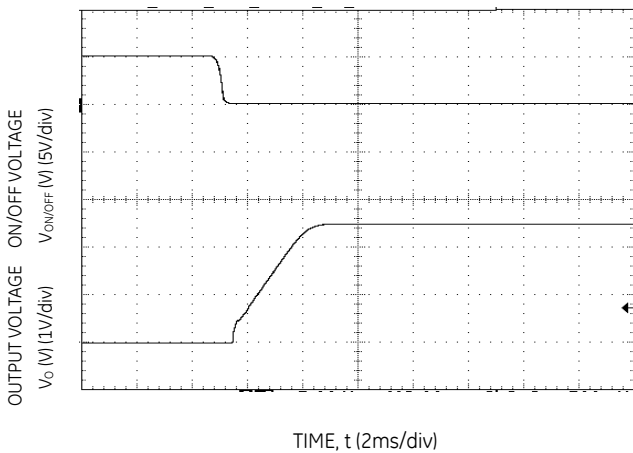


Figure 23. Typical Start-up Using On/Off Voltage (Io = Io,max.).

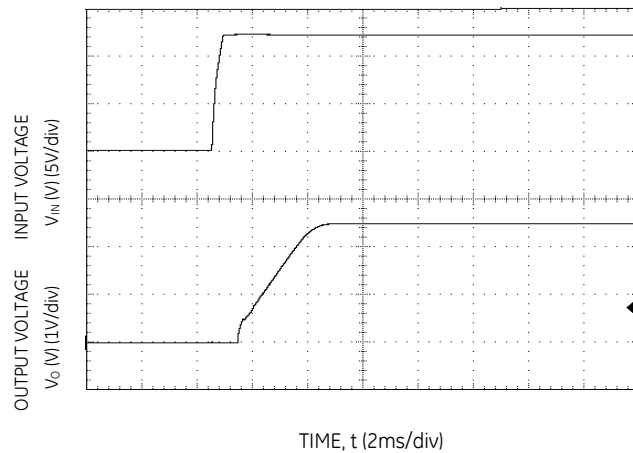


Figure 24. Typical Start-up Using Input Voltage (VIN = 12V, Io = Io,max.).

# 3A Digital PicoDlynx™: Non-Isolated DC-DC Power Modules

3Vdc – 14.4Vdc input; 0.45Vdc to 5.5Vdc output; 3A Output Current

## Characteristic Curves

The following figures provide typical characteristics for the 3A Digital PicoDlynx™ at 3.3V<sub>o</sub> and 25°C.

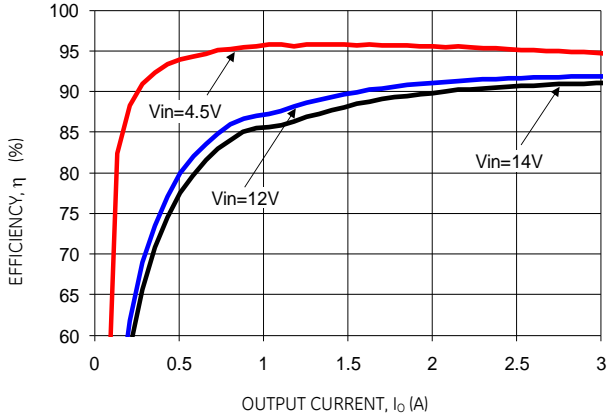


Figure 25. Converter Efficiency versus Output Current.

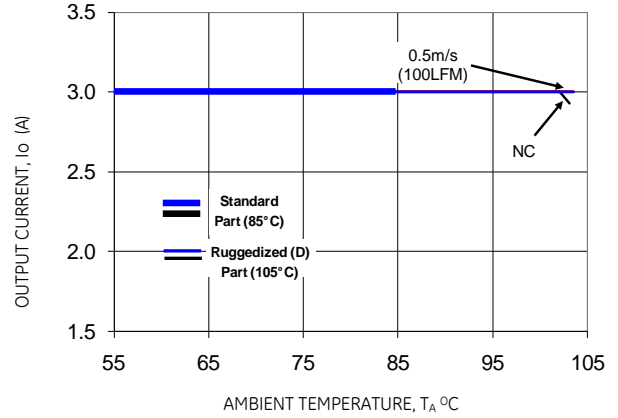


Figure 26. Derating Output Current versus Ambient Temperature and Airflow.

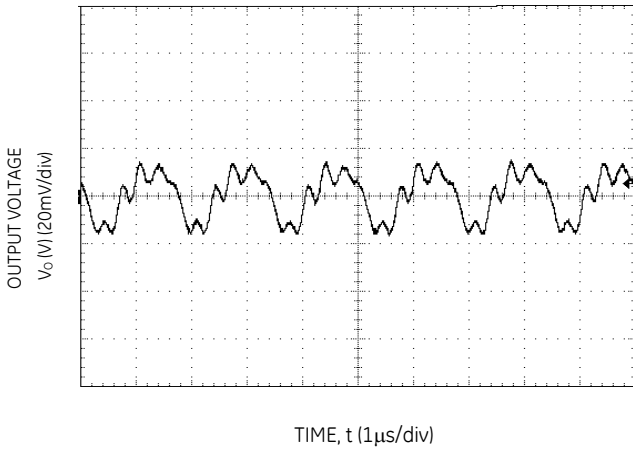


Figure 27. Typical output ripple and noise (C<sub>o</sub>=10μF ceramic, V<sub>IN</sub> = 12V, I<sub>o</sub> = I<sub>o,max</sub>).

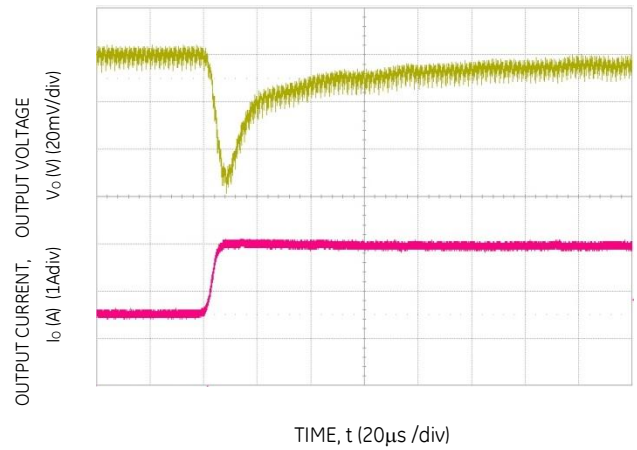


Figure 28. Transient Response to Dynamic Load Change from 50% to 100% at 12V<sub>in</sub>, C<sub>out</sub>= 2x47μF, C<sub>Tune</sub>=2200pF & R<sub>Tune</sub>=267

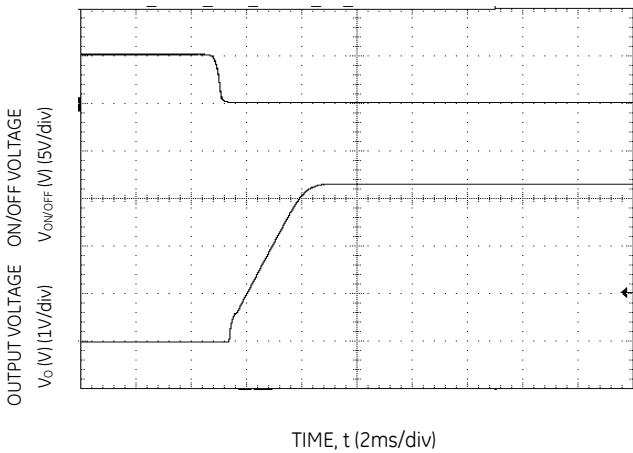


Figure 29. Typical Start-up Using On/Off Voltage (I<sub>o</sub> = I<sub>o,max</sub>).

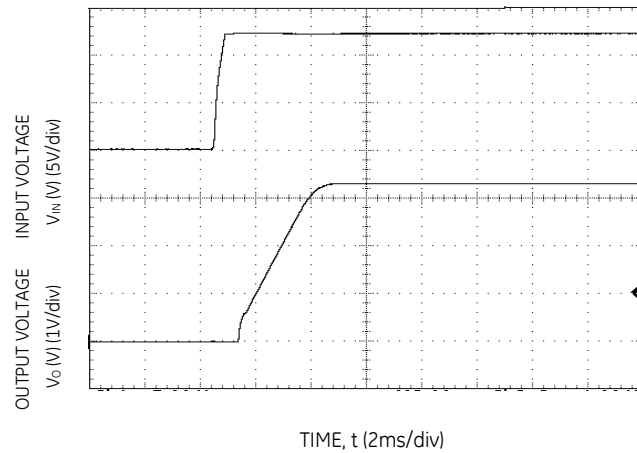


Figure 30. Typical Start-up Using Input Voltage (V<sub>IN</sub> = 12V, I<sub>o</sub> = I<sub>o,max</sub>).

# 3A Digital PicoDlynx™: Non-Isolated DC-DC Power Modules

3Vdc –14.4Vdc input; 0.45Vdc to 5.5Vdc output; 3A Output Current

## Characteristic Curves

The following figures provide typical characteristics for the 3A Digital PicoDlynx™ at 5Vo and 25°C.

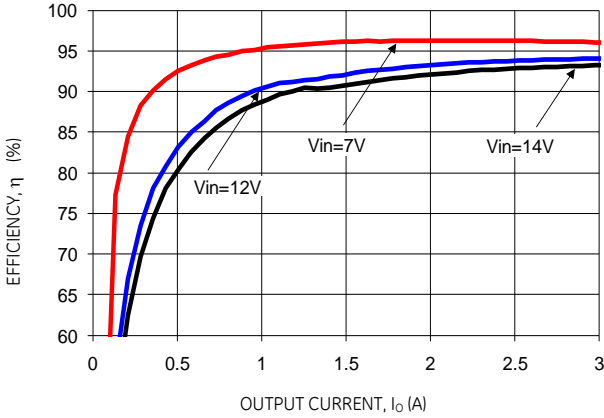


Figure 31. Converter Efficiency versus Output Current.

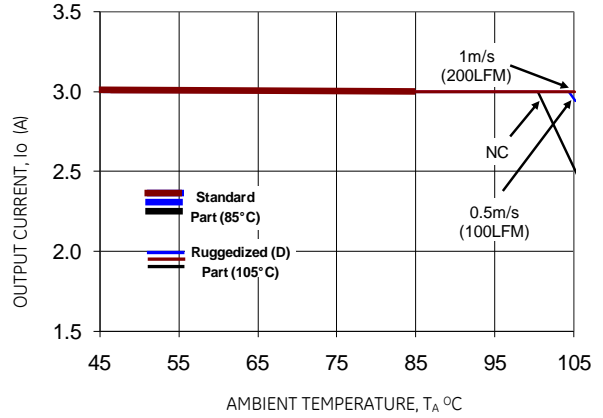


Figure 32. Derating Output Current versus Ambient Temperature and Airflow.

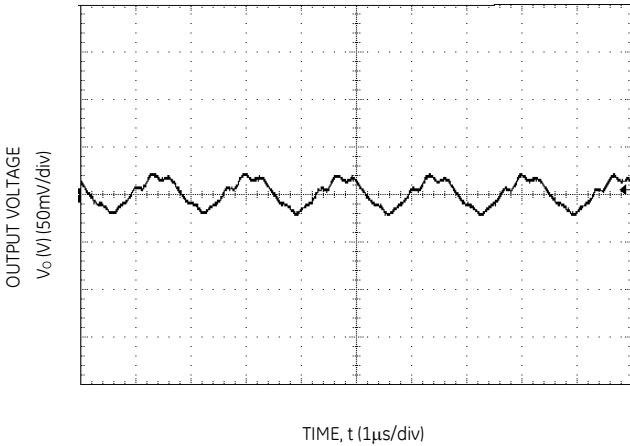


Figure 33. Typical output ripple and noise ( $C_o=10\mu\text{F}$  ceramic,  $V_{IN} = 12\text{V}$ ,  $I_o = I_{o,max}$ ).

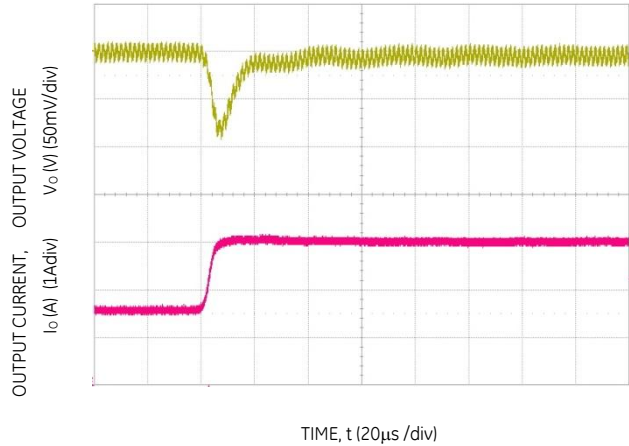


Figure 34. Transient Response to Dynamic Load Change from 50% to 100% at 12Vin,  $C_{out}=1x47\mu\text{F}$ ,  $C_{Tune}=820\text{pF}$  &  $R_{Tune}=267$

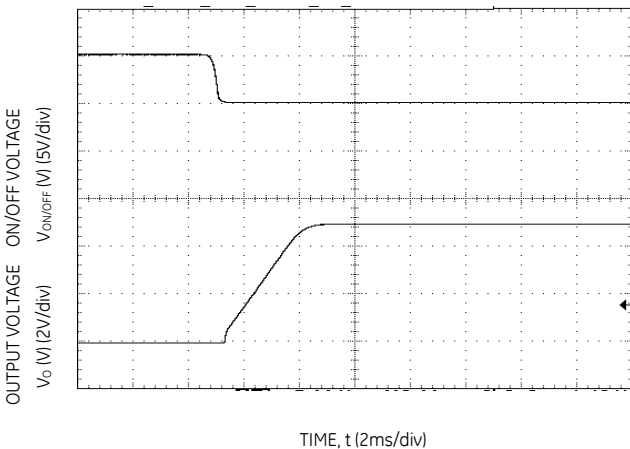


Figure 35. Typical Start-up Using On/Off Voltage ( $I_o = I_{o,max}$ ).

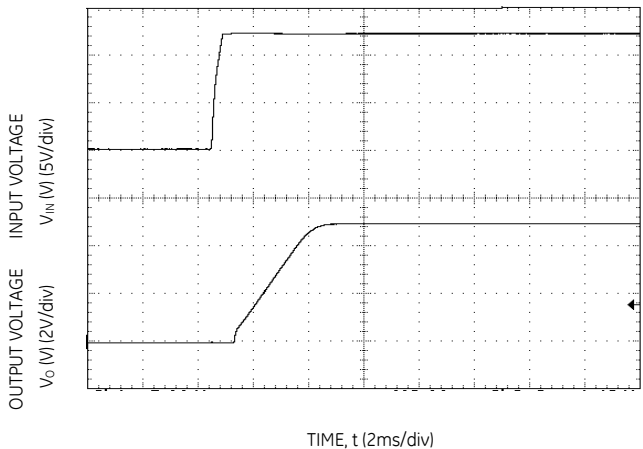


Figure 36. Typical Start-up Using Input Voltage ( $V_{IN} = 12\text{V}$ ,  $I_o = I_{o,max}$ ).

# 3A Digital PicoDlynx™: Non-Isolated DC-DC Power Modules

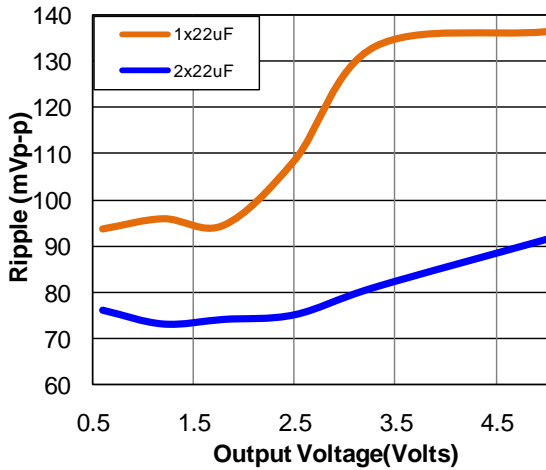
3Vdc –14.4Vdc input; 0.45Vdc to 5.5Vdc output; 3A Output Current

## Design Considerations

### Input Filtering

The 3A Digital PicoDlynx™ module should be connected to a low ac-impedance source. A highly inductive source can affect the stability of the module. An input capacitance must be placed directly adjacent to the input pin of the module, to minimize input ripple voltage and ensure module stability. High frequency switching noise can be reduced by using suitable decoupling ceramic caps. Refer to AN04-006 and AN04-002 for more guidelines

To minimize input voltage ripple, ceramic capacitors are recommended at the input of the module. Figure 37 shows the input ripple voltage for various output voltages at 3A of load current with 1x22 μF or 2x22 μF ceramic capacitors and an input of 12V.

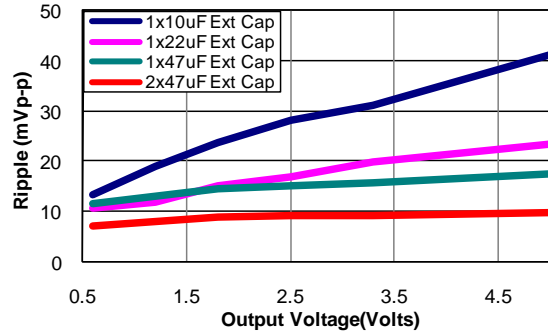


**Figure 37. Input ripple voltage for various output voltages with 2x22 μF or 3x22 μF ceramic capacitors at the input (3A load). Input voltage is 12V.**

### Output Filtering

These modules are designed for low output ripple voltage and will meet the maximum output ripple specification with 0.1 μF ceramic and 22 μF ceramic capacitors at the output of the module. However, additional output filtering may be required by the system designer for a number of reasons. First, there may be a need to further reduce the output ripple and noise of the module. Second, the dynamic response characteristics may need to be customized to a particular load step change.

To reduce the output ripple and improve the dynamic response to a step load change, additional capacitance at the output can be used. Low ESR polymer and ceramic capacitors are recommended to improve the dynamic response of the module. Figure 38 provides output ripple information for different external capacitance values at various Vo and a full load current of 3A. For stable operation of the module, limit the capacitance to less than the maximum output capacitance as specified in the electrical specification table. Optimal performance of the module can be achieved by using the Tunable Loop™ feature described later in this data sheet.



**Figure 38. Output ripple voltage for various output voltages with external 1x10 μF, 1x22 μF, 1x47 μF or 2x47 μF ceramic capacitors at the output (3A load). Input voltage is 12V.**

## Safety Considerations

For safety agency approval the power module must be installed in compliance with the spacing and separation requirements of the end-use safety agency standards, i.e., UL ANSI/UL\* 62368-1 and CAN/CSA+ C22.2 No. 62368-1 Recognized, DIN VDE 0868-1/A11:2017 (EN62368-1:2014/A11:2017)

For the converter output to be considered meeting the Requirements of safety extra-low voltage (SELV) or ES1, the input must meet SELV/ES1 requirements. The power module has extra-low voltage (ELV) outputs when all inputs are ELV. The input to these units is to be provided with a fast acting fuse with a maximum rating of 5 A in the positive input lead. An example of such a fuse is the ABC series by Littelfuse.

## 3A Digital PicoDLynx™: Non-Isolated DC-DC Power Modules

3Vdc –14.4Vdc input; 0.45Vdc to 5.5Vdc output; 3A Output Current

### Analog Feature Descriptions

#### Remote On/Off

The module can be turned ON and OFF either by using the ON/OFF pin (Analog interface) or through the PMBus interface (Digital). The module can be configured in a number of ways through the PMBus interface to react to the two ON/OFF inputs:

- Module ON/OFF can be controlled only through the analog interface (digital interface ON/OFF commands are ignored)
- Module ON/OFF can be controlled only through the PMBus interface (analog interface is ignored)
- Module ON/OFF can be controlled by either the analog or digital interface

The default state of the module (as shipped from the factory) is to be controlled by the analog interface only. If the digital interface is to be enabled, or the module is to be controlled only through the digital interface, this change must be made through the PMBus. These changes can be made and written to non-volatile memory on the module so that it is remembered for subsequent use.

#### Analog On/Off

The 3A Digital PicoDLynx™ power modules feature an On/Off pin for remote On/Off operation. Two On/Off logic options are available. In the Positive Logic On/Off option, (device code suffix "4" – see Ordering Information), the module turns ON during a logic High on the On/Off pin and turns OFF during a logic Low. With the Negative Logic On/Off option, (no device code suffix, see Ordering Information), the module turns OFF during logic High and ON during logic Low. The On/Off signal should be always referenced to ground. For either On/Off logic option, leaving the On/Off pin disconnected will turn the module ON when input voltage is present.

For positive logic modules, the circuit configuration for using the On/Off pin is shown in Figure 39. When the external transistor Q2 is in the OFF state, the internal transistor Q1 is turned ON, and the internal PWM #Enable signal is pulled low causing the module to be ON. When transistor Q2 is turned ON, the On/Off pin is pulled low and the module is OFF. A suggested value for  $R_{pullup}$  is 20k $\Omega$ .

For negative logic On/Off modules, the circuit configuration is shown in Fig. 40. The On/Off pin should be pulled high with an external pull-up resistor (suggested value for the 3V to 14V input range is 20k $\Omega$ ). When transistor Q2 is in the OFF state, the On/Off pin is pulled high, transistor Q1 is turned ON and the module is OFF. To turn the module ON, Q2 is turned ON pulling the On/Off pin low, turning transistor Q1 OFF resulting in the PWM Enable pin going high.

#### Digital On/Off

Please see the Digital Feature Descriptions section.

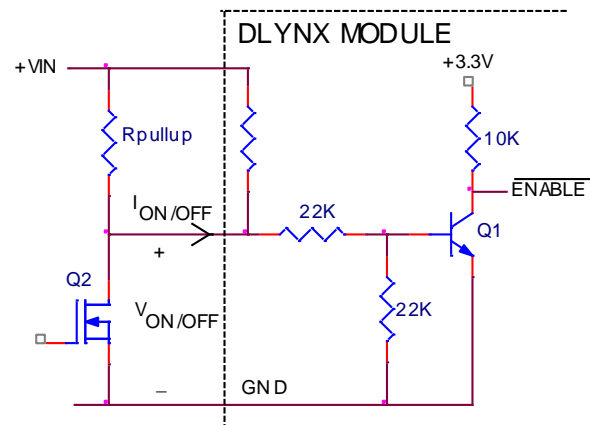


Figure 39. Circuit configuration for using positive On/Off logic.

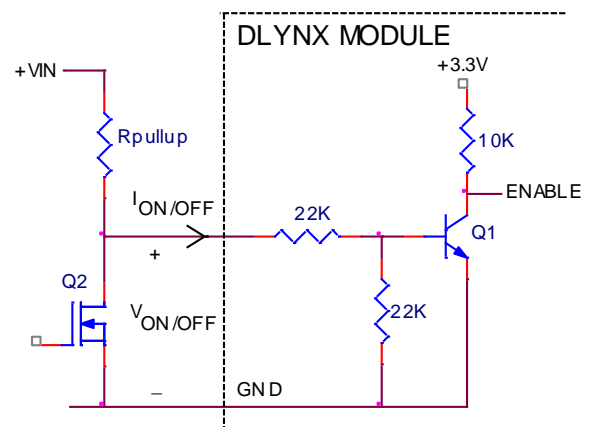


Figure 40. Circuit configuration for using negative On/Off logic.

#### Monotonic Start-up and Shutdown

The module has monotonic start-up and shutdown behavior for any combination of rated input voltage, output current and operating temperature range.

#### Startup into Pre-biased Output

The module can start into a prebiased output as long as the prebias voltage is 0.5V less than the set output voltage.

#### Analog Output Voltage Programming

The output voltage of the module is programmable to any voltage from 0.6dc to 5.5Vdc by connecting a resistor between the Trim and SIG\_GND pins of the module. Certain restrictions apply on the output voltage set point depending on the input voltage. These are shown in the Output Voltage vs. Input Voltage Set Point Area plot in Fig. 41. The Upper Limit curve shows that for output voltages lower than 1V, the input voltage must be lower than the maximum of 14.4V. The Lower Limit curve shows that for output voltages higher than 0.6V, the input voltage needs to be larger than the minimum of 3V.

# 3A Digital PicoDLynx™: Non-Isolated DC-DC Power Modules

3Vdc –14.4Vdc input; 0.45Vdc to 5.5Vdc output; 3A Output Current

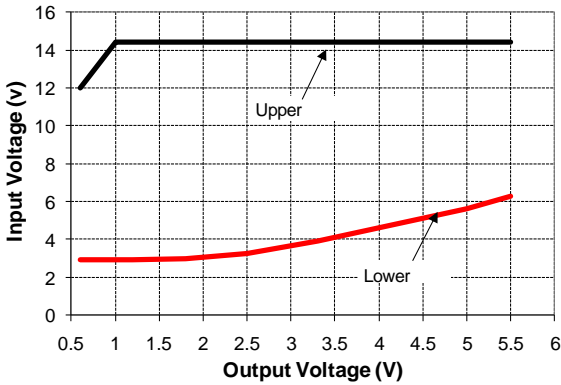


Figure 41. Output Voltage vs. Input Voltage Set Point Area plot showing limits where the output voltage can be set for different input voltages.

Table 1

| V <sub>o, set</sub> (V) | R <sub>trim</sub> (kΩ) |
|-------------------------|------------------------|
| 0.6                     | Open                   |
| 0.9                     | 40                     |
| 1.0                     | 30                     |
| 1.2                     | 20                     |
| 1.5                     | 13.33                  |
| 1.8                     | 10                     |
| 2.5                     | 6.316                  |
| 3.3                     | 4.444                  |
| 5.0                     | 2.727                  |

### Digital Output Voltage Adjustment

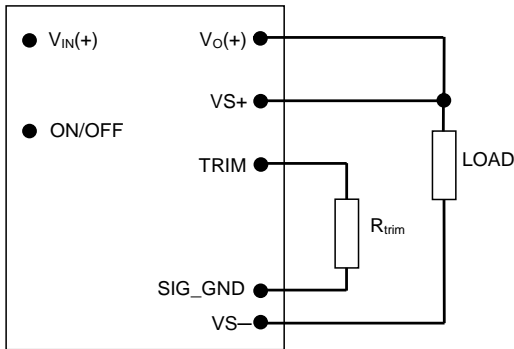
Please see the Digital Feature Descriptions section.

### Remote Sense

The power module has a Remote Sense feature to minimize the effects of distribution losses by regulating the voltage between the sense pins (VS+ and VS-). The voltage drop between the sense pins and the VOUT and GND pins of the module should not exceed 0.5V.

### Analog Voltage Margining

Output voltage margining can be implemented in the module by connecting a resistor, R<sub>margin-up</sub>, from the Trim pin to the ground pin for margining-up the output voltage and by connecting a resistor, R<sub>margin-down</sub>, from the Trim pin to output pin for margining-down. Figure 43 shows the circuit configuration for output voltage margining. The POL Programming Tool, available at [www.gecriticalpower.com](http://www.gecriticalpower.com) under the Downloads section, also calculates the values of R<sub>margin-up</sub> and R<sub>margin-down</sub> for a specific output voltage and % margin. Please consult your local GE technical representative for additional details.



**Caution** – Do not connect SIG\_GND to GND elsewhere in the layout

Figure 42. Circuit configuration for programming output voltage using an external resistor.

Without an external resistor between Trim and SIG\_GND pins, the output of the module will be 0.6Vdc. To calculate the value of the trim resistor, R<sub>trim</sub> for a desired output voltage, should be as per the following equation:

$$R_{trim} = \left[ \frac{12}{(V_o - 0.6)} \right] k\Omega$$

R<sub>trim</sub> is the external resistor in kΩ

V<sub>o</sub> is the desired output voltage.

Table 1 provides R<sub>trim</sub> values required for some common output voltages.

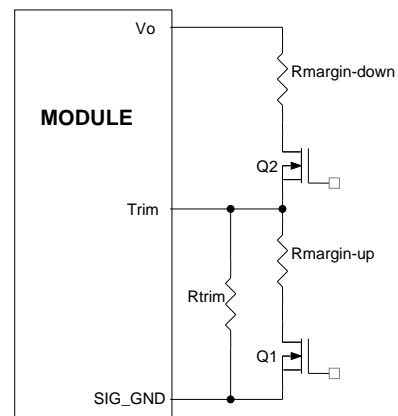


Figure 43. Circuit Configuration for margining Output voltage.

### Digital Output Voltage Margining

Please see the Digital Feature Descriptions section.

## 3A Digital PicoDLynx™: Non-Isolated DC-DC Power Modules

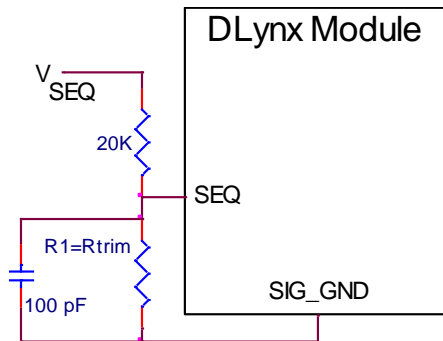
3Vdc –14.4Vdc input; 0.45Vdc to 5.5Vdc output; 3A Output Current

### Output Voltage Sequencing

The power module includes a sequencing feature, EZ-SEQUENCE that enables users to implement various types of output voltage sequencing in their applications. This is accomplished via an additional sequencing pin. When not using the sequencing feature, leave it unconnected.

The voltage applied to the SEQ pin should be scaled down by the same ratio as used to scale the output voltage down to the reference voltage of the module. This is accomplished by an external resistive divider connected across the sequencing voltage before it is fed to the SEQ pin as shown in Fig. 44. In addition, a small capacitor (suggested value 100pF) should be connected across the lower resistor R1.

For all DLynx modules, the minimum recommended delay between the ON/OFF signal and the sequencing signal is 10ms to ensure that the module output is ramped up according to the sequencing signal. This ensures that the module soft-start routine is completed before the sequencing signal is allowed to ramp up.



**Figure 44. Circuit showing connection of the sequencing signal to the SEQ pin.**

When the scaled down sequencing voltage is applied to the SEQ pin, the output voltage tracks this voltage until the output reaches the set-point voltage. The final value of the sequencing voltage must be set higher than the set-point voltage of the module. The output voltage follows the sequencing voltage on a one-to-one basis. By connecting multiple modules together, multiple modules can track their output voltages to the voltage applied on the SEQ pin.

The module's output can track the SEQ pin signal with slopes of up to 0.5V/msec during power-up or power-down.

To initiate simultaneous shutdown of the modules, the SEQ pin voltage is lowered in a controlled manner. The output voltage of the modules tracks the voltages below their set-point voltages on a one-to-one basis. A valid input voltage must be maintained until the tracking and output voltages reach ground potential.

Note that in all digital DLynx series of modules, the PMBus Output Undervoltage Fault will be tripped when sequencing is employed. This will be detected using the STATUS\_WORD and STATUS\_VOUT PMBus commands. In addition, the SMBALERT# signal will be asserted low as occurs for all faults and warnings. To avoid the module shutting down due to the Output Undervoltage Fault, the module must be set to continue operation without interruption as the response to

this fault (see the description of the PMBus command VOUT\_UV\_FAULT\_RESPONSE for additional information).

### Overcurrent Protection

To provide protection in a fault (output overload) condition, the unit is equipped with internal current-limiting circuitry and can endure current limiting continuously. At the point of current-limit inception, the unit enters hiccup mode. The unit operates normally once the output current is brought back into its specified range.

### Digital Adjustable Overcurrent Warning

Please see the Digital Feature Descriptions section.

### Overtemperature Protection

To provide protection in a fault condition, the unit is equipped with a thermal shutdown circuit. The unit will shut down if the overtemperature threshold of 150°C(typ) is exceeded at the thermal reference point  $T_{ref}$ . Once the unit goes into thermal shutdown it will then wait to cool before attempting to restart.

### Digital Temperature Status via PMBus

Please see the Digital Feature Descriptions section.

### Digitally Adjustable Output Over and Under Voltage Protection

Please see the Digital Feature Descriptions section.

### Input Undervoltage Lockout

At input voltages below the input undervoltage lockout limit, the module operation is disabled. The module will begin to operate at an input voltage above the undervoltage lockout turn-on threshold.

### Digitally Adjustable Input Undervoltage Lockout

Please see the Digital Feature Descriptions section.

### Digitally Adjustable Power Good Thresholds

Please see the Digital Feature Descriptions section.

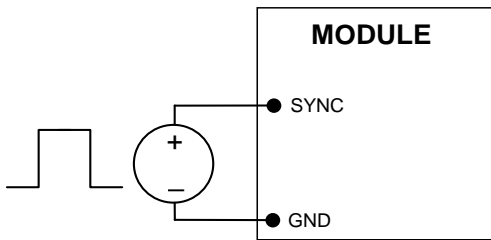
### Synchronization

The module switching frequency can be synchronized to a signal with an external frequency within a specified range. Synchronization can be done by using the external signal applied to the SYNC pin of the module as shown in Fig. 45, with the converter being synchronized by the rising edge of the external signal. The Electrical Specifications table specifies the requirements of the external SYNC signal. If the SYNC pin is not used, the module should free run at the default switching frequency. **If synchronization is not being used, connect the SYNC pin to GND.**



# 3A Digital PicoDLynx™: Non-Isolated DC-DC Power Modules

3Vdc –14.4Vdc input; 0.45Vdc to 5.5Vdc output; 3A Output Current



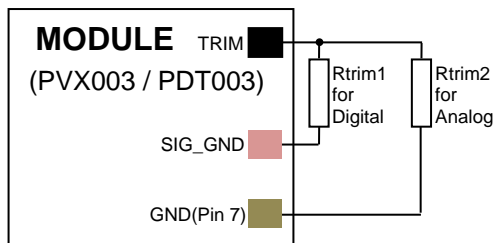
**Figure 45. External source connections to synchronize switching frequency of the module.**

## Measuring Output Current, Output Voltage and Input Voltage

Please see the Digital Feature Descriptions section.

## Dual Layout

Identical dimensions and pin layout of Analog and Digital PicoDLynx modules permit migration from one to the other without needing to change the layout. To support this, 2 separate Trim Resistor locations have to be provided in the layout. As shown in Fig. 46, for the digital modules, the resistor is connected between the TRIM pad and SGND and in the case of the analog module it is connected between TRIM and GND.



**Caution** – For digital modules, do not connect SIG\_GND to GND elsewhere in the layout

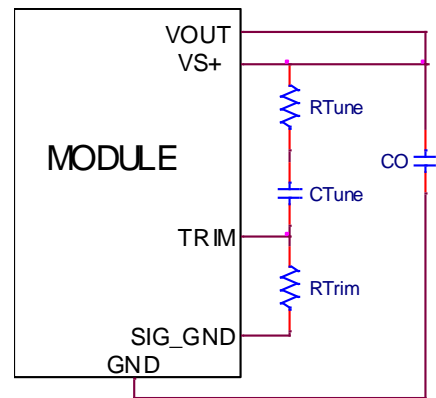
**Figure 46. Connections to support either Analog or Digital PicoDLynx on the same layout.**

## Tunable Loop™

The module has a feature that optimizes transient response of the module called Tunable Loop™.

External capacitors are usually added to the output of the module for two reasons: to reduce output ripple and noise (see Figure 38) and to reduce output voltage deviations from the steady-state value in the presence of dynamic load current changes. Adding external capacitance however affects the voltage control loop of the module, typically causing the loop to slow down with sluggish response. Larger values of external capacitance could also cause the module to become unstable.

The Tunable Loop™ allows the user to externally adjust the voltage control loop to match the filter network connected to the output of the module. The Tunable Loop™ is implemented by connecting a series R-C between the VS+ and TRIM pins of the module, as shown in Fig. 47. This R-C allows the user to externally adjust the voltage loop feedback compensation of the module.



**Figure 47. Circuit diagram showing connection of RTUNE and CTUNE to tune the control loop of the module.**

Recommended values of RTUNE and CTUNE for different output capacitor combinations are given in Table 2. Table 2 shows the recommended values of RTUNE and CTUNE for different values of ceramic output capacitors up to 1000uF that might be needed for an application to meet output ripple and noise requirements. Selecting RTUNE and CTUNE according to Table 2 will ensure stable operation of the module. In applications with tight output voltage limits in the presence of dynamic current loading, additional output capacitance will be required. Table 3 lists recommended values of RTUNE and CTUNE in order to meet 2% output voltage deviation limits for some common output voltages in the presence of a 1.5A to 3.0A step change (50% of full load), with an input voltage of 12V.

Please contact your GE technical representative to obtain more details of this feature as well as for guidelines on how to select the right value of external R-C to tune the module for best transient performance and stable operation for other output capacitance values.

## 3A Digital PicoDLynx™: Non-Isolated DC-DC Power Modules

3Vdc –14.4Vdc input; 0.45Vdc to 5.5Vdc output; 3A Output Current

**Table 2. General recommended values of  $R_{TUNE}$  and  $C_{TUNE}$  for  $V_{in}=12V$  and various external ceramic capacitor combinations.**

| $C_o$      | 1x47 $\mu$ F | 2x47 $\mu$ F | 4x47 $\mu$ F | 6x47 $\mu$ F | 10x47 $\mu$ F |
|------------|--------------|--------------|--------------|--------------|---------------|
| $R_{TUNE}$ | 270          | 220          | 180          | 180          | 180           |
| $C_{TUNE}$ | 1500pF       | 1800pF       | 3300pF       | 4700pF       | 4700pF        |

**Table 3. Recommended values of  $R_{TUNE}$  and  $C_{TUNE}$  to obtain transient deviation of 2% of  $V_{out}$  for a 1.5A step load with  $V_{in}=12V$ .**

| $V_o$      | 5V           | 3.3V         | 2.5V         | 1.8V                     | 1.2V                     | 0.6V                     |
|------------|--------------|--------------|--------------|--------------------------|--------------------------|--------------------------|
| $C_o$      | 1x47 $\mu$ F | 1x47 $\mu$ F | 2x47 $\mu$ F | 1x330 $\mu$ F<br>Polymer | 1x330 $\mu$ F<br>Polymer | 2x330 $\mu$ F<br>Polymer |
| $R_{TUNE}$ | 270          | 220          | 180          | 180                      | 180                      | 180                      |
| $C_{TUNE}$ | 1500pF       | 1800pF       | 3300pF       | 8200pF                   | 8200pF                   | 33nF                     |
| $\Delta V$ | 68mV         | 60mV         | 37mV         | 18mV                     | 18mV                     | 10mV                     |

**Note:** The capacitors used in the Tunable Loop tables are 47  $\mu$ F/3 m $\Omega$  ESR ceramic and 330  $\mu$ F/12 m $\Omega$  ESR polymer capacitors.

# 3A Digital PicoDlynx™: Non-Isolated DC-DC Power Modules

3Vdc –14.4Vdc input; 0.45Vdc to 5.5Vdc output; 3A Output Current

## Digital Feature Descriptions

### PMBus Interface Capability

The 3A Digital PicoDlynx™ power modules have a PMBus interface that supports both communication and control. The PMBus Power Management Protocol Specification can be obtained from [www.pmbus.org](http://www.pmbus.org). The modules support a subset of version 1.1 of the specification (see Table 6 for a list of the specific commands supported). Most module parameters can be programmed using PMBus and stored as defaults for later use.

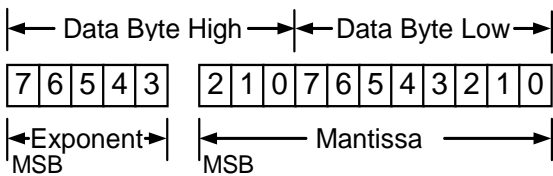
All communication over the module PMBus interface must support the Packet Error Checking (PEC) scheme. The PMBus master must generate the correct PEC byte for all transactions, and check the PEC byte returned by the module.

The module also supports the SMBALERT# response protocol whereby the module can alert the bus master if it wants to talk. For more information on the SMBus alert response protocol, see the System Management Bus (SMBus) specification.

The module has non-volatile memory that is used to store configuration settings. Not all settings programmed into the device are automatically saved into this non-volatile memory, only those specifically identified as capable of being stored can be saved (see Table 6 for which command parameters can be saved to non-volatile storage).

### PMBus Data Format

For commands that set thresholds, voltages or report such quantities, the module supports the "Linear" data format among the three data formats supported by PMBus. The Linear Data Format is a two byte value with an 11-bit, two's complement mantissa and a 5-bit, two's complement exponent. The format of the two data bytes is shown below:



The value is of the number is then given by  

$$\text{Value} = \text{Mantissa} \times 2^{\text{Exponent}}$$

### PMBus Addressing

The power module can be addressed through the PMBus using a device address. The module has 64 possible addresses (0 to 63 in decimal) which can be set using resistors connected from the ADDR0 and ADDR1 pins to SIG\_GND. Note that some of these addresses (0, 1, 2, 3, 4, 5, 6, 7, 8, 9, 10, 11, 12, 40, 44, 45, 55 in decimal) are reserved according to the SMBus specifications and may not be useable. The address is set in the form of two octal (0 to 7) digits, with each pin setting one digit. The ADDR1 pin sets the high order digit and ADDR0 sets the low order digit. The resistor values suggested for each digit are shown in Table 4 (1% tolerance resistors are recommended). Note that if either

address resistor value is outside the range specified in Table 4, the module will respond to address 127.

Table 4

| Digit | Resistor Value (KΩ) |
|-------|---------------------|
| 0     | 10                  |
| 1     | 15.4                |
| 2     | 23.7                |
| 3     | 36.5                |
| 4     | 54.9                |
| 5     | 84.5                |
| 6     | 130                 |
| 7     | 200                 |

The user must know which I<sup>2</sup>C addresses are reserved in a system for special functions and set the address of the module to avoid interfering with other system operations. Both 100kHz and 400kHz bus speeds are supported by the module. Connection for the PMBus interface should follow the High Power DC specifications given in section 3.1.3 in the SMBus specification V2.0 for the 400kHz bus speed or the Low Power DC specifications in section 3.1.2. The complete SMBus specification is available from the SMBus web site, [smbus.org](http://smbus.org).

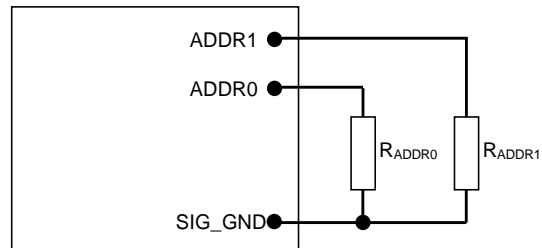


Figure 48. Circuit showing connection of resistors used to set the PMBus address of the module.

### PMBus Enabled On/Off

The module can also be turned on and off via the PMBus interface. The OPERATION command is used to actually turn the module on and off via the PMBus, while the ON\_OFF\_CONFIG command configures the combination of analog ON/OFF pin input and PMBus commands needed to turn the module on and off. Bit [7] in the OPERATION command data byte enables the module, with the following functions:

- 0 : Output is disabled
- 1 : Output is enabled

This module uses the lower five bits of the ON\_OFF\_CONFIG data byte to set various ON/OFF options as follows:

| Bit Position  | 4   | 3   | 2   | 1   | 0   |
|---------------|-----|-----|-----|-----|-----|
| Access        | r/w | r/w | r/w | r/w | r   |
| Function      | PU  | CMD | CPR | POL | CPA |
| Default Value | 1   | 0   | 1   | 1   | 1   |

# 3A Digital PicoDLynx™: Non-Isolated DC-DC Power Modules

3Vdc –14.4Vdc input; 0.45Vdc to 5.5Vdc output; 3A Output Current

PU: Sets the default to either operate any time input power is present or for the ON/OFF to be controlled by the analog ON/OFF input and the PMBus OPERATION command. This bit is used together with the CP, CMD and ON bits to determine startup.

| Bit Value | Action   |
|-----------|--|
| 0         | Module powers up any time power is present regardless of state of the analog ON/OFF pin  |
| 1         | Module does not power up until commanded by the analog ON/OFF pin and the OPERATION command as programmed in bits [2:0] of the ON_OFF_CONFIG register. |

CMD: The CMD bit controls how the device responds to the OPERATION command.

| Bit Value | Action   |
|-----------|--|
| 0         | Module ignores the ON bit in the OPERATION command     |
| 1         | Module responds to the ON bit in the OPERATION command |

CPR: Sets the response of the analog ON/OFF pin. This bit is used together with the CMD, PU and ON bits to determine startup.

| Bit Value | Action   |
|-----------|--|
| 0         | Module ignores the analog ON/OFF pin, i.e. ON/OFF is only controlled through the PMBUS via the OPERATION command |
| 1         | Module requires the analog ON/OFF pin to be asserted to start the unit   |

### PMBus Adjustable Soft Start Rise Time

The soft start rise time can be adjusted in the module via PMBus. When setting this parameter, make sure that the charging current for output capacitors can be delivered by the module in addition to any load current to avoid nuisance tripping of the overcurrent protection circuitry during startup. The TON\_RISE command sets the rise time in ms, and allows choosing soft start times between 600µs and 9ms, with possible values listed in Table 5. Note that the exponent is fixed at -4 (decimal) and the upper two bits of the mantissa are also fixed at 0.

Table 5

| Rise Time | Exponent | Mantissa    |
|-----------|----------|-------------|
| 600µs     | 11100    | 00000001010 |
| 900µs     | 11100    | 00000001110 |
| 1.2ms     | 11100    | 00000010011 |
| 1.8ms     | 11100    | 00000011101 |
| 2.7ms     | 11100    | 00000101011 |
| 4.2ms     | 11100    | 00001000011 |
| 6.0ms     | 11100    | 00001100000 |
| 9.0ms     | 11100    | 00010010000 |

### Output Voltage Adjustment Using the PMBus

The VOUT\_SCALE\_LOOP parameter is important for a number of PMBus commands related to output voltage trimming, margining, over/under voltage protection and the PGOOD thresholds. The output voltage of the module is set as the combination of the voltage divider formed by RTrim and a 20kΩ upper divider resistor inside the module, and the internal reference voltage of the module. The reference voltage VREF is nominally set at 600mV, and the output regulation voltage is then given by

$$V_{OUT} = \left[ \frac{20000 + RTrim}{RTrim} \right] \times V_{REF}$$

Hence the module output voltage is dependent on the value of RTrim which is connected external to the module. The information on the output voltage divider ratio is conveyed to the module through the VOUT\_SCALE\_LOOP parameter which is calculated as follows:

$$VOUT\_SCALE\_LOOP = \frac{RTrim}{20000 + RTrim}$$

The VOUT\_SCALE\_LOOP parameter is specified using the “Linear” format and two bytes. The upper five bits [7:3] of the high byte are used to set the exponent which is fixed at -9 (decimal). The remaining three bits of the high byte [2:0] and the eight bits of the lower byte are used for the mantissa. The default value of the mantissa is 00100000000 corresponding to 256 (decimal), corresponding to a divider ratio of 0.5. The maximum value of the mantissa is 512 corresponding to a divider ratio of 1. Note that the resolution of the VOUT\_SCALE\_LOOP command is 0.2%.

When PMBus commands are used to trim or margin the output voltage, the value of VREF is what is changed inside the module, which in turn changes the regulated output voltage of the module.

The nominal output voltage of the module can be adjusted with a minimum step size of 0.4% over a ±25% range from nominal using the VOUT\_TRIM command over the PMBus.

The VOUT\_TRIM command is used to apply a fixed offset voltage to the output voltage command value using the “Linear” mode with the exponent fixed at -10 (decimal). The value of the offset voltage is given by

## 3A Digital PicoDLynx™: Non-Isolated DC-DC Power Modules

### 3Vdc –14.4Vdc input; 0.45Vdc to 5.5Vdc output; 3A Output Current

$$V_{OUT(offset)} = VOUT\_TRIM \times 2^{-10}$$

This offset voltage is added to the voltage set through the divider ratio and nominal  $V_{REF}$  to produce the trimmed output voltage. The valid range in two's complement for this command is  $-4000h$  to  $3FFFh$ . The high order two bits of the high byte must both be either 0 or 1. If a value outside of the +/-25% adjustment range is given with this command, the module will set its output voltage to the nominal value (as if  $VOUT\_TRIM$  had been set to 0), assert  $SMBALRT\#$ , set the CML bit in  $STATUS\_BYTE$  and the invalid data bit in  $STATUS\_CML$ .

#### Output Voltage Margining Using the PMBus

The module can also have its output voltage margined via PMBus commands. The command  $VOUT\_MARGIN\_HIGH$  sets the margin high voltage, while the command  $VOUT\_MARGIN\_LOW$  sets the margin low voltage. Both the  $VOUT\_MARGIN\_HIGH$  and  $VOUT\_MARGIN\_LOW$  commands use the "Linear" mode with the exponent fixed at  $-10$  (decimal). Two bytes are used for the mantissa with the upper bit [7] of the high byte fixed at 0. The actual margined output voltage is a combination of the  $VOUT\_MARGIN\_HIGH$  or  $VOUT\_MARGIN\_LOW$  and the  $VOUT\_TRIM$  values as shown below.

$$V_{OUT(MH)} = (VOUT\_MARGIN\_HIGH + VOUT\_TRIM) \times 2^{-10}$$

$$V_{OUT(ML)} = (VOUT\_MARGIN\_LOW + VOUT\_TRIM) \times 2^{-10}$$

Note that the sum of the margin and trim voltages cannot be outside the  $\pm 25\%$  window around the nominal output voltage. The data associated with  $VOUT\_MARGIN\_HIGH$  and  $VOUT\_MARGIN\_LOW$  can be stored to non-volatile memory using the  $STORE\_DEFAULT\_ALL$  command.

The module is commanded to go to the margined high or low voltages using the  $OPERATION$  command. Bits [5:2] are used to enable margining as follows:

|      |                              |
|------|------------------------------|
| 00XX | : Margin Off                 |
| 0101 | : Margin Low (Ignore Fault)  |
| 0110 | : Margin Low (Act on Fault)  |
| 1001 | : Margin High (Ignore Fault) |
| 1010 | : Margin High (Act on Fault) |

#### PMBus Adjustable Overcurrent Warning

The module can provide an overcurrent warning via the PMBus. The threshold for the overcurrent warning can be set using the parameter  $IOUT\_OC\_WARN\_LIMIT$ . This command uses the "Linear" data format with a two byte data word where the upper five bits [7:3] of the high byte represent the exponent and the remaining three bits of the high byte [2:0] and the eight bits in the low byte represent the mantissa. The exponent is fixed at  $-1$  (decimal). The upper six bits of the mantissa are fixed at 0 while the lower five bits are programmable. For production codes after April 2013, the value for  $IOUT\_OC\_WARN\_LIMIT$  will be fixed at 5.0A. For earlier production codes the actual value for  $IOUT\_OC\_WARN\_LIMIT$  will vary from module to module due to calibration during production testing. The resolution of this

warning limit is 500mA. The value of the  $IOUT\_OC\_WARN\_LIMIT$  can be stored to non-volatile memory using the  $STORE\_DEFAULT\_ALL$  command.

#### Temperature Status via PMBus

The module can provide information related to temperature of the module through the  $STATUS\_TEMPERATURE$  command. The command returns information about whether the pre-set over temperature fault threshold and/or the warning threshold have been exceeded.

#### PMBus Adjustable Output Over and Under Voltage Protection

The module has output over and under voltage protection capability. The PMBus command  $VOUT\_OV\_FAULT\_LIMIT$  is used to set the output over voltage threshold from four possible values: 108%, 110%, 112% or 115% of the commanded output voltage. The command  $VOUT\_UV\_FAULT\_LIMIT$  sets the threshold that causes an output under voltage fault and can also be selected from four possible values: 92%, 90%, 88% or 85%. The default values are 112% and 88% of commanded output voltage. Both commands use two data bytes formatted as two's complement binary integers. The "Linear" mode is used with the exponent fixed to  $-10$  (decimal) and the effective over or under voltage trip points given by:

$$V_{OUT(OV\_REQ)} = (VOUT\_OV\_FAULT\_LIMIT) \times 2^{-10}$$

$$V_{OUT(UV\_REQ)} = (VOUT\_UV\_FAULT\_LIMIT) \times 2^{-10}$$

Values within the supported range for over and undervoltage detection thresholds will be set to the nearest fixed percentage. Note that the correct value for  $VOUT\_SCALE\_LOOP$  must be set in the module for the correct over or under voltage trip points to be calculated.

In addition to adjustable output voltage protection, the 3A Digital PicoDLynx™ module can also be programmed for the response to the fault. The  $VOUT\_OV\_FAULT\_RESPONSE$  and  $VOUT\_UV\_FAULT\_RESPONSE$  commands specify the response to the fault. Both these commands use a single data byte with the possible options as shown below.

1. Continue operation without interruption (Bits [7:6] = 00, Bits [5:3] = xxx)
2. Continue for four switching cycles and then shut down if the fault is still present, followed by no restart or continuous restart (Bits [7:6] = 01, Bits [5:3] = 000 means no restart, Bits [5:3] = 111 means continuous restart)
3. Immediate shut down followed by no restart or continuous restart (Bits [7:6] = 10, Bits [5:3] = 000 means no restart, Bits [5:3] = 111 means continuous restart).
4. Module output is disabled when the fault is present and the output is enabled when the fault no longer exists (Bits [7:6] = 11, Bits [5:3] = xxx).

Note that separate response choices are possible for output over voltage or under voltage faults.

#### PMBus Adjustable Input Undervoltage Lockout

## 3A Digital PicoDLynx™: Non-Isolated DC-DC Power Modules

### 3Vdc –14.4Vdc input; 0.45Vdc to 5.5Vdc output; 3A Output Current

The module allows adjustment of the input under voltage lockout and hysteresis. The command VIN\_ON allows setting the input voltage turn on threshold, while the VIN\_OFF command sets the input voltage turn off threshold. For the VIN\_ON command, possible values are 2.75V, and 3V to 14V in 0.5V steps. For the VIN\_OFF command, possible values are 2.5V to 14V in 0.5V steps. If other values are entered for either command, they will be mapped to the closest of the allowed values.

VIN\_ON must be set higher than VIN\_OFF. Attempting to write either VIN\_ON lower than VIN\_OFF or VIN\_OFF higher than VIN\_ON results in the new value being rejected, SMBALERT being asserted along with the CML bit in STATUS\_BYTE and the invalid data bit in STATUS\_CML.

Both the VIN\_ON and VIN\_OFF commands use the “Linear” format with two data bytes. The upper five bits represent the exponent (fixed at -2) and the remaining 11 bits represent the mantissa. For the mantissa, the four most significant bits are fixed at 0.

#### Power Good

The module provides a Power Good (PGOOD) signal that is implemented with an open-drain output to indicate that the output voltage is within the regulation limits of the power module. The PGOOD signal will be de-asserted to a low state if any condition such as overtemperature, overcurrent or loss of regulation occurs that would result in the output voltage going outside the specified thresholds. The PGOOD thresholds are user selectable via the PMBus (the default values are as shown in the Feature Specifications Section). Each threshold is set up symmetrically above and below the nominal value. The POWER\_GOOD\_ON command sets the output voltage level above which PGOOD is asserted (lower threshold). For example, with a 1.2V nominal output voltage, the POWER\_GOOD\_ON threshold can set the lower threshold to 1.14 or 1.1V. Doing this will automatically set the upper thresholds to 1.26 or 1.3V.

The POWER\_GOOD\_OFF command sets the level below which the PGOOD command is de-asserted. This command also sets two thresholds symmetrically placed around the nominal output voltage. Normally, the POWER\_GOOD\_ON threshold is set higher than the POWER\_GOOD\_OFF threshold.

Both POWER\_GOOD\_ON and POWER\_GOOD\_OFF commands use the “Linear” format with the exponent fixed at -10 (decimal). The two thresholds are given by

$$V_{OUT(PGOOD\_ON)} = (POWER\_GOOD\_ON) \times 2^{-10}$$

$$V_{OUT(PGOOD\_OFF)} = (POWER\_GOOD\_OFF) \times 2^{-10}$$

Both commands use two data bytes with bit [7] of the high byte fixed at 0, while the remaining bits are r/w and used to set the mantissa using two’s complement representation. Both commands also use the VOUT\_SCALE\_LOOP parameter so it must be set correctly. The default value of POWER\_GOOD\_ON is set at 1.1035V and that of the POWER\_GOOD\_OFF is set at 1.08V. The values associated with these commands can be stored in non-volatile memory using the STORE\_DEFAULT\_ALL command.

The PGOOD terminal can be connected through a pullup resistor (suggested value 100KΩ) to a source of 5VDC or lower.

#### Measurement of Output Current, Output Voltage and Input Voltage

The module is capable of measuring key module parameters such as output current and voltage and input voltage and providing this information through the PMBus interface. Roughly every 200μs, the module makes 16 measurements each of output current, voltage and input voltage. Average values of these 16 measurements are then calculated and placed in the appropriate registers. The values in the registers can then be read using the PMBus interface.

#### Measuring Output Current Using the PMBus

The module measures current by using the inductor winding resistance as a current sense element. The inductor winding resistance is then the current gain factor used to scale the measured voltage into a current reading. This gain factor is the argument of the IOUT\_CAL\_GAIN command, and consists of two bytes in the linear data format. The exponent uses the upper five bits [7:3] of the high data byte in two’s complement format and is fixed at -15 (decimal). The remaining 11 bits in two’s complement binary format represent the mantissa.

The current measurement accuracy is also improved by each module being calibrated during manufacture with the offset in the current reading. The IOUT\_CAL\_OFFSET command is used to store and read the current offset. The argument for this command consists of two bytes composed of a 5-bit exponent (fixed at -4d) and a 11-bit mantissa. This command has a resolution of 62.5mA and a range of -4000mA to +3937.5mA. During manufacture, each module is calibrated by measuring and storing the current gain factor and offset into non-volatile storage.

The READ\_IOUT command provides module average output current information. This command only supports positive or current sourced from the module. If the converter is sinking current a reading of 0 is provided. The READ\_IOUT command returns two bytes of data in the linear data format. The exponent uses the upper five bits [7:3] of the high data byte in two’s complement format and is fixed at -4 (decimal). The remaining 11 bits in two’s complement binary format represent the mantissa with the 11<sup>th</sup> bit fixed at 0 since only positive numbers are considered valid.

Note that the current reading provided by the module is not corrected for temperature. The temperature corrected current reading for module temperature  $T_{Module}$  can be estimated using the following equation

$$I_{OUT,CORR} = \frac{I_{READ\_OUT}}{1 + [(T_{IND} - 30) \times 0.00393]}$$

where  $I_{OUT,CORR}$  is the temperature corrected value of the current measurement,  $I_{READ\_OUT}$  is the module current measurement value,  $T_{IND}$  is the temperature of the inductor winding on the module. Since it may be difficult to measure

# 3A Digital PicoDLynx™: Non-Isolated DC-DC Power Modules

3Vdc –14.4Vdc input; 0.45Vdc to 5.5Vdc output; 3A Output Current

T<sub>IND</sub>, it may be approximated by an estimate of the module temperature.

### Measuring Output Voltage Using the PMBus

The module can provide output voltage information using the READ\_VOUT command. The command returns two bytes of data all representing the mantissa while the exponent is fixed at -10 (decimal).

During manufacture of the module, offset and gain correction values are written into the non-volatile memory of the module. The command VOUT\_CAL\_OFFSET can be used to read and/or write the offset (two bytes consisting of a 16-bit mantissa in two's complement format) while the exponent is always fixed at -10 (decimal). The allowed range for this offset correction is -125 to 124mV. The command VOUT\_CAL\_GAIN can be used to read and/or write the gain correction - two bytes consisting of a five-bit exponent (fixed at -8) and a 11-bit mantissa. The range of this correction factor is -0.125V to +0.121V, with a resolution of 0.004V. The corrected output voltage reading is then given by:

$$V_{OUT} (Final) = [V_{OUT} (Initial) \times (1 + VOUT\_CAL\_GAIN)] + VOUT\_CAL\_OFFSET$$

### Measuring Input Voltage Using the PMBus

The module can provide output voltage information using the READ\_VIN command. The command returns two bytes of data in the linear format. The upper five bits [7:3] of the high data form the two's complement representation of the exponent which is fixed at -5 (decimal). The remaining 11 bits are used for two's complement representation of the mantissa, with the 11<sup>th</sup> bit fixed at zero since only positive numbers are valid.

During module manufacture, offset and gain correction values are written into the non-volatile memory of the module. The command VIN\_CAL\_OFFSET can be used to read and/or write the offset - two bytes consisting of a five-bit exponent (fixed at -5) and a 11-bit mantissa in two's complement format. The allowed range for this offset correction is -2 to 1.968V, and the resolution is 32mV. The command VIN\_CAL\_GAIN can be used to read and/or write the gain correction - two bytes consisting of a five-bit exponent (fixed at -8) and a 11-bit mantissa. The range of this correction factor is -0.125V to +0.121V, with a resolution of 0.004V. The corrected output voltage reading is then given by:

$$V_{IN} (Final) = [V_{IN} (Initial) \times (1 + VIN\_CAL\_GAIN)] + VIN\_CAL\_OFFSET$$

### Reading the Status of the Module using the PMBus

The module supports a number of status information commands implemented in PMBus. However, not all features are supported in these commands. A 1 in the bit position indicates the fault that is flagged.

STATUS\_BYTE : Returns one byte of information with a summary of the most critical device faults.

| Bit Position | Flag                     | Default Value |
|--------------|--------------------------|---------------|
| 7            | X                        | 0             |
| 6            | OFF                      | 0             |
| 5            | VOUT Overvoltage         | 0             |
| 4            | IOUT Overcurrent         | 0             |
| 3            | VIN Undervoltage         | 0             |
| 2            | Temperature              | 0             |
| 1            | CML (Comm. Memory Fault) | 0             |
| 0            | None of the above        | 0             |

STATUS\_WORD : Returns two bytes of information with a summary of the module's fault/warning conditions.

#### Low Byte

| Bit Position | Flag                     | Default Value |
|--------------|--------------------------|---------------|
| 7            | X                        | 0             |
| 6            | OFF                      | 0             |
| 5            | VOUT Overvoltage         | 0             |
| 4            | IOUT Overcurrent         | 0             |
| 3            | VIN Undervoltage         | 0             |
| 2            | Temperature              | 0             |
| 1            | CML (Comm. Memory Fault) | 0             |
| 0            | None of the above        | 0             |

#### High Byte

| Bit Position | Flag                     | Default Value |
|--------------|--------------------------|---------------|
| 7            | VOUT fault or warning    | 0             |
| 6            | IOUT fault or warning    | 0             |
| 5            | X                        | 0             |
| 4            | X                        | 0             |
| 3            | POWER_GOOD# (is negated) | 0             |
| 2            | X                        | 0             |
| 1            | X                        | 0             |
| 0            | X                        | 0             |

STATUS\_VOUT : Returns one byte of information relating to the status of the module's output voltage related faults.

| Bit Position | Flag          | Default Value |
|--------------|---------------|---------------|
| 7            | VOUT OV Fault | 0             |
| 6            | X             | 0             |
| 5            | X             | 0             |
| 4            | VOUT UV Fault | 0             |
| 3            | X             | 0             |
| 2            | X             | 0             |
| 1            | X             | 0             |
| 0            | X             | 0             |

### 3A Digital PicoDLynx™: Non-Isolated DC-DC Power Modules

3Vdc –14.4Vdc input; 0.45Vdc to 5.5Vdc output; 3A Output Current

STATUS\_IOUT : Returns one byte of information relating to the status of the module’s output voltage related faults.

| Bit Position | Flag            | Default Value |
|--------------|-----------------|---------------|
| 7            | IOUT OC Fault   | 0             |
| 6            | X               | 0             |
| 5            | IOUT OC Warning | 0             |
| 4            | X               | 0             |
| 3            | X               | 0             |
| 2            | X               | 0             |
| 1            | X               | 0             |
| 0            | X               | 0             |

STATUS\_TEMPERATURE : Returns one byte of information relating to the status of the module’s temperature related faults.

| Bit Position | Flag       | Default Value |
|--------------|------------|---------------|
| 7            | OT Fault   | 0             |
| 6            | OT Warning | 0             |
| 5            | X          | 0             |
| 4            | X          | 0             |
| 3            | X          | 0             |
| 2            | X          | 0             |
| 1            | X          | 0             |
| 0            | X          | 0             |

STATUS\_CML : Returns one byte of information relating to the status of the module’s communication related faults.

| Bit Position | Flag                        | Default Value |
|--------------|-----------------------------|---------------|
| 7            | Invalid/Unsupported Command | 0             |
| 6            | Invalid/Unsupported Command | 0             |
| 5            | Packet Error Check Failed   | 0             |
| 4            | X                           | 0             |
| 3            | X                           | 0             |
| 2            | X                           | 0             |
| 1            | Other Communication Fault   | 0             |
| 0            | X                           | 0             |

MFR\_VIN\_MIN : Returns minimum input voltage as two data bytes of information in Linear format (upper five bits are exponent – fixed at -2, and lower 11 bits are mantissa in two’s complement format – fixed at 12)

MFR\_VOUT\_MIN : Returns minimum output voltage as two data bytes of information in Linear format (upper five bits are exponent – fixed at -10, and lower 11 bits are mantissa in two’s complement format – fixed at 614)

MFR\_SPECIFIC\_00 : Returns information related to the type of module and revision number. Bits [7:2] in the Low Byte indicate the module type (001000 corresponds to the PDT003 series of module). Bits 1:0 in the High Byte are used to indicate the manufacturer ID, with 00 reserved for GE.

**Low Byte**

| Bit Position | Flag        | Default Value |
|--------------|-------------|---------------|
| 7:2          | Module Name | 001000        |
| 1:0          | Reserved    | 10            |

**High Byte**

| Bit Position | Flag                   | Default Value |
|--------------|------------------------|---------------|
| 7:0          | Module Revision Number | None          |
| 1:0          | Reserved               | 00            |



### 3A Digital PicoDlynx™: Non-Isolated DC-DC Power Modules

3Vdc –14.4Vdc input; 0.45Vdc to 5.5Vdc output; 3A Output Current

#### Summary of Supported PMBus Commands

Please refer to the PMBus 1.1 specification for more details of these commands.

**Table 6**

| Hex Code             | Command              | Brief Description   | Non-Volatile Memory Storage |                 |          |     |     |     |   |   |   |                     |   |   |   |   |   |   |   |   |                 |              |     |     |     |          |     |     |   |                      |      |      |        |    |     |     |     |     |                      |   |   |   |   |   |   |   |   |     |
|----------------------|----------------------|---|-----------------------------|-----------------|----------|-----|-----|-----|---|---|---|---------------------|---|---|---|---|---|---|---|---|-----------------|--------------|-----|-----|-----|----------|-----|-----|---|----------------------|------|------|--------|----|-----|-----|-----|-----|----------------------|---|---|---|---|---|---|---|---|-----|
| 01                   | OPERATION            | Turn Module on or off. Also used to margin the output voltage<br><table border="1"> <tr> <td><b>Format</b></td> <td colspan="8">Unsigned Binary</td> </tr> <tr> <td><b>Bit Position</b></td> <td>7</td> <td>6</td> <td>5</td> <td>4</td> <td>3</td> <td>2</td> <td>1</td> <td>0</td> </tr> <tr> <td><b>Access</b></td> <td>r/w</td> <td>r</td> <td>r/w</td> <td>r/w</td> <td>r/w</td> <td>r/w</td> <td>r</td> <td>r</td> </tr> <tr> <td><b>Function</b></td> <td>On</td> <td>X</td> <td colspan="4">Margin</td> <td>X</td> <td>X</td> </tr> <tr> <td><b>Default Value</b></td> <td>0</td> <td>0</td> <td>0</td> <td>0</td> <td>0</td> <td>0</td> <td>X</td> <td>X</td> </tr> </table>   | <b>Format</b>               | Unsigned Binary |          |     |     |     |   |   |   | <b>Bit Position</b> | 7 | 6 | 5 | 4 | 3 | 2 | 1 | 0 | <b>Access</b>   | r/w          | r   | r/w | r/w | r/w      | r/w | r   | r | <b>Function</b>      | On   | X    | Margin |    |     |     | X   | X   | <b>Default Value</b> | 0 | 0 | 0 | 0 | 0 | 0 | X | X |     |
| <b>Format</b>        | Unsigned Binary      |   |                             |                 |          |     |     |     |   |   |   |                     |   |   |   |   |   |   |   |   |                 |              |     |     |     |          |     |     |   |                      |      |      |        |    |     |     |     |     |                      |   |   |   |   |   |   |   |   |     |
| <b>Bit Position</b>  | 7                    | 6   | 5                           | 4               | 3        | 2   | 1   | 0   |   |   |   |                     |   |   |   |   |   |   |   |   |                 |              |     |     |     |          |     |     |   |                      |      |      |        |    |     |     |     |     |                      |   |   |   |   |   |   |   |   |     |
| <b>Access</b>        | r/w                  | r   | r/w                         | r/w             | r/w      | r/w | r   | r   |   |   |   |                     |   |   |   |   |   |   |   |   |                 |              |     |     |     |          |     |     |   |                      |      |      |        |    |     |     |     |     |                      |   |   |   |   |   |   |   |   |     |
| <b>Function</b>      | On                   | X   | Margin                      |                 |          |     | X   | X   |   |   |   |                     |   |   |   |   |   |   |   |   |                 |              |     |     |     |          |     |     |   |                      |      |      |        |    |     |     |     |     |                      |   |   |   |   |   |   |   |   |     |
| <b>Default Value</b> | 0                    | 0   | 0                           | 0               | 0        | 0   | X   | X   |   |   |   |                     |   |   |   |   |   |   |   |   |                 |              |     |     |     |          |     |     |   |                      |      |      |        |    |     |     |     |     |                      |   |   |   |   |   |   |   |   |     |
| 02                   | ON_OFF_CONFIG        | Configures the ON/OFF functionality as a combination of analog ON/OFF pin and PMBus commands<br><table border="1"> <tr> <td><b>Format</b></td> <td colspan="8">Unsigned Binary</td> </tr> <tr> <td><b>Bit Position</b></td> <td>7</td> <td>6</td> <td>5</td> <td>4</td> <td>3</td> <td>2</td> <td>1</td> <td>0</td> </tr> <tr> <td><b>Access</b></td> <td>r</td> <td>r</td> <td>r</td> <td>r/w</td> <td>r/w</td> <td>r/w</td> <td>r/w</td> <td>r</td> </tr> <tr> <td><b>Function</b></td> <td>X</td> <td>X</td> <td>X</td> <td>pu</td> <td>cmd</td> <td>cpr</td> <td>pol</td> <td>cpa</td> </tr> <tr> <td><b>Default Value</b></td> <td>0</td> <td>0</td> <td>0</td> <td>1</td> <td>0</td> <td>1</td> <td>1</td> <td>1</td> </tr> </table>  | <b>Format</b>               | Unsigned Binary |          |     |     |     |   |   |   | <b>Bit Position</b> | 7 | 6 | 5 | 4 | 3 | 2 | 1 | 0 | <b>Access</b>   | r            | r   | r   | r/w | r/w      | r/w | r/w | r | <b>Function</b>      | X    | X    | X      | pu | cmd | cpr | pol | cpa | <b>Default Value</b> | 0 | 0 | 0 | 1 | 0 | 1 | 1 | 1 | YES |
| <b>Format</b>        | Unsigned Binary      |   |                             |                 |          |     |     |     |   |   |   |                     |   |   |   |   |   |   |   |   |                 |              |     |     |     |          |     |     |   |                      |      |      |        |    |     |     |     |     |                      |   |   |   |   |   |   |   |   |     |
| <b>Bit Position</b>  | 7                    | 6   | 5                           | 4               | 3        | 2   | 1   | 0   |   |   |   |                     |   |   |   |   |   |   |   |   |                 |              |     |     |     |          |     |     |   |                      |      |      |        |    |     |     |     |     |                      |   |   |   |   |   |   |   |   |     |
| <b>Access</b>        | r                    | r   | r                           | r/w             | r/w      | r/w | r/w | r   |   |   |   |                     |   |   |   |   |   |   |   |   |                 |              |     |     |     |          |     |     |   |                      |      |      |        |    |     |     |     |     |                      |   |   |   |   |   |   |   |   |     |
| <b>Function</b>      | X                    | X   | X                           | pu              | cmd      | cpr | pol | cpa |   |   |   |                     |   |   |   |   |   |   |   |   |                 |              |     |     |     |          |     |     |   |                      |      |      |        |    |     |     |     |     |                      |   |   |   |   |   |   |   |   |     |
| <b>Default Value</b> | 0                    | 0   | 0                           | 1               | 0        | 1   | 1   | 1   |   |   |   |                     |   |   |   |   |   |   |   |   |                 |              |     |     |     |          |     |     |   |                      |      |      |        |    |     |     |     |     |                      |   |   |   |   |   |   |   |   |     |
| 03                   | CLEAR_FAULTS         | Clear any fault bits that may have been set, also releases the SMBALERT# signal if the device has been asserting it.  |                             |                 |          |     |     |     |   |   |   |                     |   |   |   |   |   |   |   |   |                 |              |     |     |     |          |     |     |   |                      |      |      |        |    |     |     |     |     |                      |   |   |   |   |   |   |   |   |     |
| 10                   | WRITE_PROTECT        | Used to control writing to the module via PMBus. Copies the current register setting in the module whose command code matches the value in the data byte into non-volatile memory (EEPROM) on the module<br><table border="1"> <tr> <td><b>Format</b></td> <td colspan="8">Unsigned Binary</td> </tr> <tr> <td><b>Bit Position</b></td> <td>7</td> <td>6</td> <td>5</td> <td>4</td> <td>3</td> <td>2</td> <td>1</td> <td>0</td> </tr> <tr> <td><b>Access</b></td> <td>r/w</td> <td>r/w</td> <td>r/w</td> <td>x</td> <td>x</td> <td>x</td> <td>x</td> <td>x</td> </tr> <tr> <td><b>Function</b></td> <td>bit7</td> <td>bit6</td> <td>bit5</td> <td>X</td> <td>X</td> <td>X</td> <td>X</td> <td>X</td> </tr> <tr> <td><b>Default Value</b></td> <td>0</td> <td>0</td> <td>0</td> <td>X</td> <td>X</td> <td>X</td> <td>X</td> <td>X</td> </tr> </table> <p>Bit5: 0 – Enables all writes as permitted in bit6 or bit7<br/>                     1 – Disables all writes except the WRITE_PROTECT, OPERATION and ON_OFF_CONFIG (bit 6 and bit7 must be 0)<br/>                     Bit 6: 0 – Enables all writes as permitted in bit5 or bit7<br/>                     1 – Disables all writes except for the WRITE_PROTECT and OPERATION commands (bit5 and bit7 must be 0)<br/>                     Bit7: 0 – Enables all writes as permitted in bit5 or bit6<br/>                     1 – Disables all writes except for the WRITE_PROTECT command (bit5 and bit6 must be 0)</p> | <b>Format</b>               | Unsigned Binary |          |     |     |     |   |   |   | <b>Bit Position</b> | 7 | 6 | 5 | 4 | 3 | 2 | 1 | 0 | <b>Access</b>   | r/w          | r/w | r/w | x   | x        | x   | x   | x | <b>Function</b>      | bit7 | bit6 | bit5   | X  | X   | X   | X   | X   | <b>Default Value</b> | 0 | 0 | 0 | X | X | X | X | X | YES |
| <b>Format</b>        | Unsigned Binary      |   |                             |                 |          |     |     |     |   |   |   |                     |   |   |   |   |   |   |   |   |                 |              |     |     |     |          |     |     |   |                      |      |      |        |    |     |     |     |     |                      |   |   |   |   |   |   |   |   |     |
| <b>Bit Position</b>  | 7                    | 6   | 5                           | 4               | 3        | 2   | 1   | 0   |   |   |   |                     |   |   |   |   |   |   |   |   |                 |              |     |     |     |          |     |     |   |                      |      |      |        |    |     |     |     |     |                      |   |   |   |   |   |   |   |   |     |
| <b>Access</b>        | r/w                  | r/w   | r/w                         | x               | x        | x   | x   | x   |   |   |   |                     |   |   |   |   |   |   |   |   |                 |              |     |     |     |          |     |     |   |                      |      |      |        |    |     |     |     |     |                      |   |   |   |   |   |   |   |   |     |
| <b>Function</b>      | bit7                 | bit6  | bit5                        | X               | X        | X   | X   | X   |   |   |   |                     |   |   |   |   |   |   |   |   |                 |              |     |     |     |          |     |     |   |                      |      |      |        |    |     |     |     |     |                      |   |   |   |   |   |   |   |   |     |
| <b>Default Value</b> | 0                    | 0   | 0                           | X               | X        | X   | X   | X   |   |   |   |                     |   |   |   |   |   |   |   |   |                 |              |     |     |     |          |     |     |   |                      |      |      |        |    |     |     |     |     |                      |   |   |   |   |   |   |   |   |     |
| 11                   | STORE_DEFAULT_ALL    | Copies all current register settings in the module into non-volatile memory (EEPROM) on the module. Takes about 50ms for the command to execute.  |                             |                 |          |     |     |     |   |   |   |                     |   |   |   |   |   |   |   |   |                 |              |     |     |     |          |     |     |   |                      |      |      |        |    |     |     |     |     |                      |   |   |   |   |   |   |   |   |     |
| 12                   | RESTORE_DEFAULT_ALL  | Restores all current register settings in the module from values in the module non-volatile memory (EEPROM)   |                             |                 |          |     |     |     |   |   |   |                     |   |   |   |   |   |   |   |   |                 |              |     |     |     |          |     |     |   |                      |      |      |        |    |     |     |     |     |                      |   |   |   |   |   |   |   |   |     |
| 13                   | STORE_DEFAULT_CODE   | Copies the current register setting in the module whose command code matches the value in the data byte into non-volatile memory (EEPROM) on the module<br><table border="1"> <tr> <td><b>Bit Position</b></td> <td>7</td> <td>6</td> <td>5</td> <td>4</td> <td>3</td> <td>2</td> <td>1</td> <td>0</td> </tr> <tr> <td><b>Access</b></td> <td>w</td> <td>w</td> <td>w</td> <td>w</td> <td>w</td> <td>w</td> <td>w</td> <td>w</td> </tr> <tr> <td><b>Function</b></td> <td colspan="8">Command code</td> </tr> </table>  | <b>Bit Position</b>         | 7               | 6        | 5   | 4   | 3   | 2 | 1 | 0 | <b>Access</b>       | w | w | w | w | w | w | w | w | <b>Function</b> | Command code |     |     |     |          |     |     |   |                      |      |      |        |    |     |     |     |     |                      |   |   |   |   |   |   |   |   |     |
| <b>Bit Position</b>  | 7                    | 6   | 5                           | 4               | 3        | 2   | 1   | 0   |   |   |   |                     |   |   |   |   |   |   |   |   |                 |              |     |     |     |          |     |     |   |                      |      |      |        |    |     |     |     |     |                      |   |   |   |   |   |   |   |   |     |
| <b>Access</b>        | w                    | w   | w                           | w               | w        | w   | w   | w   |   |   |   |                     |   |   |   |   |   |   |   |   |                 |              |     |     |     |          |     |     |   |                      |      |      |        |    |     |     |     |     |                      |   |   |   |   |   |   |   |   |     |
| <b>Function</b>      | Command code         |   |                             |                 |          |     |     |     |   |   |   |                     |   |   |   |   |   |   |   |   |                 |              |     |     |     |          |     |     |   |                      |      |      |        |    |     |     |     |     |                      |   |   |   |   |   |   |   |   |     |
| 14                   | RESTORE_DEFAULT_CODE | Restores the current register setting in the module whose command code matches the value in the data byte from the value in the module non-volatile memory (EEPROM)<br><table border="1"> <tr> <td><b>Bit Position</b></td> <td>7</td> <td>6</td> <td>5</td> <td>4</td> <td>3</td> <td>2</td> <td>1</td> <td>0</td> </tr> <tr> <td><b>Access</b></td> <td>w</td> <td>w</td> <td>w</td> <td>w</td> <td>w</td> <td>w</td> <td>w</td> <td>w</td> </tr> <tr> <td><b>Function</b></td> <td colspan="8">Command code</td> </tr> </table>  | <b>Bit Position</b>         | 7               | 6        | 5   | 4   | 3   | 2 | 1 | 0 | <b>Access</b>       | w | w | w | w | w | w | w | w | <b>Function</b> | Command code |     |     |     |          |     |     |   |                      |      |      |        |    |     |     |     |     |                      |   |   |   |   |   |   |   |   |     |
| <b>Bit Position</b>  | 7                    | 6   | 5                           | 4               | 3        | 2   | 1   | 0   |   |   |   |                     |   |   |   |   |   |   |   |   |                 |              |     |     |     |          |     |     |   |                      |      |      |        |    |     |     |     |     |                      |   |   |   |   |   |   |   |   |     |
| <b>Access</b>        | w                    | w   | w                           | w               | w        | w   | w   | w   |   |   |   |                     |   |   |   |   |   |   |   |   |                 |              |     |     |     |          |     |     |   |                      |      |      |        |    |     |     |     |     |                      |   |   |   |   |   |   |   |   |     |
| <b>Function</b>      | Command code         |   |                             |                 |          |     |     |     |   |   |   |                     |   |   |   |   |   |   |   |   |                 |              |     |     |     |          |     |     |   |                      |      |      |        |    |     |     |     |     |                      |   |   |   |   |   |   |   |   |     |
| 20                   | VOUT_MODE            | The module has MODE set to Linear and Exponent set to -10. These values cannot be changed<br><table border="1"> <tr> <td><b>Bit Position</b></td> <td>7</td> <td>6</td> <td>5</td> <td>4</td> <td>3</td> <td>2</td> <td>1</td> <td>0</td> </tr> <tr> <td><b>Access</b></td> <td>r</td> <td>r</td> <td>r</td> <td>r</td> <td>r</td> <td>r</td> <td>r</td> <td>r</td> </tr> <tr> <td><b>Function</b></td> <td colspan="4">Mode</td> <td colspan="4">Exponent</td> </tr> <tr> <td><b>Default Value</b></td> <td>0</td> <td>0</td> <td>0</td> <td>1</td> <td>0</td> <td>1</td> <td>1</td> <td>0</td> </tr> </table>   | <b>Bit Position</b>         | 7               | 6        | 5   | 4   | 3   | 2 | 1 | 0 | <b>Access</b>       | r | r | r | r | r | r | r | r | <b>Function</b> | Mode         |     |     |     | Exponent |     |     |   | <b>Default Value</b> | 0    | 0    | 0      | 1  | 0   | 1   | 1   | 0   |                      |   |   |   |   |   |   |   |   |     |
| <b>Bit Position</b>  | 7                    | 6   | 5                           | 4               | 3        | 2   | 1   | 0   |   |   |   |                     |   |   |   |   |   |   |   |   |                 |              |     |     |     |          |     |     |   |                      |      |      |        |    |     |     |     |     |                      |   |   |   |   |   |   |   |   |     |
| <b>Access</b>        | r                    | r   | r                           | r               | r        | r   | r   | r   |   |   |   |                     |   |   |   |   |   |   |   |   |                 |              |     |     |     |          |     |     |   |                      |      |      |        |    |     |     |     |     |                      |   |   |   |   |   |   |   |   |     |
| <b>Function</b>      | Mode                 |   |                             |                 | Exponent |     |     |     |   |   |   |                     |   |   |   |   |   |   |   |   |                 |              |     |     |     |          |     |     |   |                      |      |      |        |    |     |     |     |     |                      |   |   |   |   |   |   |   |   |     |
| <b>Default Value</b> | 0                    | 0   | 0                           | 1               | 0        | 1   | 1   | 0   |   |   |   |                     |   |   |   |   |   |   |   |   |                 |              |     |     |     |          |     |     |   |                      |      |      |        |    |     |     |     |     |                      |   |   |   |   |   |   |   |   |     |

3A Digital PicoDLynx™: Non-Isolated DC-DC Power Modules  
 3Vdc –14.4Vdc input; 0.45Vdc to 5.5Vdc output; 3A Output Current

Table 6 (continued)

| Hex Code             | Command                         | Brief Description   | Non-Volatile Memory Storage |                                 |          |     |     |     |  |  |  |                     |   |   |   |   |   |   |   |   |               |     |     |     |     |     |     |     |     |                 |           |  |  |  |          |  |  |  |                      |   |   |   |   |   |   |   |   |                     |   |   |   |   |   |   |   |   |               |     |     |     |     |     |     |     |     |                 |          |  |  |  |  |  |  |  |                      |   |   |   |   |   |   |   |   |     |
|----------------------|---------------------------------|---|-----------------------------|---------------------------------|----------|-----|-----|-----|--|--|--|---------------------|---|---|---|---|---|---|---|---|---------------|-----|-----|-----|-----|-----|-----|-----|-----|-----------------|-----------|--|--|--|----------|--|--|--|----------------------|---|---|---|---|---|---|---|---|---------------------|---|---|---|---|---|---|---|---|---------------|-----|-----|-----|-----|-----|-----|-----|-----|-----------------|----------|--|--|--|--|--|--|--|----------------------|---|---|---|---|---|---|---|---|-----|
| 22                   | VOUT_TRIM                       | Apply a fixed offset voltage to the output voltage command value<br><table border="1"> <tr> <td><b>Format</b></td> <td colspan="8">Linear, two's complement binary</td> </tr> <tr> <td><b>Bit Position</b></td> <td>7</td> <td>6</td> <td>5</td> <td>4</td> <td>3</td> <td>2</td> <td>1</td> <td>0</td> </tr> <tr> <td><b>Access</b></td> <td>r/w</td> <td>r</td> <td>r/w</td> <td>r/w</td> <td>r/w</td> <td>r/w</td> <td>r/w</td> <td>r/w</td> </tr> <tr> <td><b>Function</b></td> <td colspan="8">High Byte</td> </tr> <tr> <td><b>Default Value</b></td> <td>0</td> <td>0</td> <td>0</td> <td>0</td> <td>0</td> <td>0</td> <td>0</td> <td>0</td> </tr> <tr> <td><b>Bit Position</b></td> <td>7</td> <td>6</td> <td>5</td> <td>4</td> <td>3</td> <td>2</td> <td>1</td> <td>0</td> </tr> <tr> <td><b>Access</b></td> <td>r/w</td> <td>r/w</td> <td>r/w</td> <td>r/w</td> <td>r/w</td> <td>r/w</td> <td>r/w</td> <td>r/w</td> </tr> <tr> <td><b>Function</b></td> <td colspan="8">Low Byte</td> </tr> <tr> <td><b>Default Value</b></td> <td>0</td> <td>0</td> <td>0</td> <td>0</td> <td>0</td> <td>0</td> <td>0</td> <td>0</td> </tr> </table>   | <b>Format</b>               | Linear, two's complement binary |          |     |     |     |  |  |  | <b>Bit Position</b> | 7 | 6 | 5 | 4 | 3 | 2 | 1 | 0 | <b>Access</b> | r/w | r   | r/w | r/w | r/w | r/w | r/w | r/w | <b>Function</b> | High Byte |  |  |  |          |  |  |  | <b>Default Value</b> | 0 | 0 | 0 | 0 | 0 | 0 | 0 | 0 | <b>Bit Position</b> | 7 | 6 | 5 | 4 | 3 | 2 | 1 | 0 | <b>Access</b> | r/w | r/w | r/w | r/w | r/w | r/w | r/w | r/w | <b>Function</b> | Low Byte |  |  |  |  |  |  |  | <b>Default Value</b> | 0 | 0 | 0 | 0 | 0 | 0 | 0 | 0 | YES |
| <b>Format</b>        | Linear, two's complement binary |   |                             |                                 |          |     |     |     |  |  |  |                     |   |   |   |   |   |   |   |   |               |     |     |     |     |     |     |     |     |                 |           |  |  |  |          |  |  |  |                      |   |   |   |   |   |   |   |   |                     |   |   |   |   |   |   |   |   |               |     |     |     |     |     |     |     |     |                 |          |  |  |  |  |  |  |  |                      |   |   |   |   |   |   |   |   |     |
| <b>Bit Position</b>  | 7                               | 6   | 5                           | 4                               | 3        | 2   | 1   | 0   |  |  |  |                     |   |   |   |   |   |   |   |   |               |     |     |     |     |     |     |     |     |                 |           |  |  |  |          |  |  |  |                      |   |   |   |   |   |   |   |   |                     |   |   |   |   |   |   |   |   |               |     |     |     |     |     |     |     |     |                 |          |  |  |  |  |  |  |  |                      |   |   |   |   |   |   |   |   |     |
| <b>Access</b>        | r/w                             | r   | r/w                         | r/w                             | r/w      | r/w | r/w | r/w |  |  |  |                     |   |   |   |   |   |   |   |   |               |     |     |     |     |     |     |     |     |                 |           |  |  |  |          |  |  |  |                      |   |   |   |   |   |   |   |   |                     |   |   |   |   |   |   |   |   |               |     |     |     |     |     |     |     |     |                 |          |  |  |  |  |  |  |  |                      |   |   |   |   |   |   |   |   |     |
| <b>Function</b>      | High Byte                       |   |                             |                                 |          |     |     |     |  |  |  |                     |   |   |   |   |   |   |   |   |               |     |     |     |     |     |     |     |     |                 |           |  |  |  |          |  |  |  |                      |   |   |   |   |   |   |   |   |                     |   |   |   |   |   |   |   |   |               |     |     |     |     |     |     |     |     |                 |          |  |  |  |  |  |  |  |                      |   |   |   |   |   |   |   |   |     |
| <b>Default Value</b> | 0                               | 0   | 0                           | 0                               | 0        | 0   | 0   | 0   |  |  |  |                     |   |   |   |   |   |   |   |   |               |     |     |     |     |     |     |     |     |                 |           |  |  |  |          |  |  |  |                      |   |   |   |   |   |   |   |   |                     |   |   |   |   |   |   |   |   |               |     |     |     |     |     |     |     |     |                 |          |  |  |  |  |  |  |  |                      |   |   |   |   |   |   |   |   |     |
| <b>Bit Position</b>  | 7                               | 6   | 5                           | 4                               | 3        | 2   | 1   | 0   |  |  |  |                     |   |   |   |   |   |   |   |   |               |     |     |     |     |     |     |     |     |                 |           |  |  |  |          |  |  |  |                      |   |   |   |   |   |   |   |   |                     |   |   |   |   |   |   |   |   |               |     |     |     |     |     |     |     |     |                 |          |  |  |  |  |  |  |  |                      |   |   |   |   |   |   |   |   |     |
| <b>Access</b>        | r/w                             | r/w   | r/w                         | r/w                             | r/w      | r/w | r/w | r/w |  |  |  |                     |   |   |   |   |   |   |   |   |               |     |     |     |     |     |     |     |     |                 |           |  |  |  |          |  |  |  |                      |   |   |   |   |   |   |   |   |                     |   |   |   |   |   |   |   |   |               |     |     |     |     |     |     |     |     |                 |          |  |  |  |  |  |  |  |                      |   |   |   |   |   |   |   |   |     |
| <b>Function</b>      | Low Byte                        |   |                             |                                 |          |     |     |     |  |  |  |                     |   |   |   |   |   |   |   |   |               |     |     |     |     |     |     |     |     |                 |           |  |  |  |          |  |  |  |                      |   |   |   |   |   |   |   |   |                     |   |   |   |   |   |   |   |   |               |     |     |     |     |     |     |     |     |                 |          |  |  |  |  |  |  |  |                      |   |   |   |   |   |   |   |   |     |
| <b>Default Value</b> | 0                               | 0   | 0                           | 0                               | 0        | 0   | 0   | 0   |  |  |  |                     |   |   |   |   |   |   |   |   |               |     |     |     |     |     |     |     |     |                 |           |  |  |  |          |  |  |  |                      |   |   |   |   |   |   |   |   |                     |   |   |   |   |   |   |   |   |               |     |     |     |     |     |     |     |     |                 |          |  |  |  |  |  |  |  |                      |   |   |   |   |   |   |   |   |     |
| 25                   | VOUT_MARGIN_HIGH                | Sets the target voltage for margining the output high<br><table border="1"> <tr> <td><b>Format</b></td> <td colspan="8">Linear, two's complement binary</td> </tr> <tr> <td><b>Bit Position</b></td> <td>7</td> <td>6</td> <td>5</td> <td>4</td> <td>3</td> <td>2</td> <td>1</td> <td>0</td> </tr> <tr> <td><b>Access</b></td> <td>r</td> <td>r/w</td> <td>r/w</td> <td>r/w</td> <td>r/w</td> <td>r/w</td> <td>r/w</td> <td>r/w</td> </tr> <tr> <td><b>Function</b></td> <td colspan="8">High Byte</td> </tr> <tr> <td><b>Default Value</b></td> <td>0</td> <td>0</td> <td>0</td> <td>0</td> <td>0</td> <td>1</td> <td>0</td> <td>1</td> </tr> <tr> <td><b>Bit Position</b></td> <td>7</td> <td>6</td> <td>5</td> <td>4</td> <td>3</td> <td>2</td> <td>1</td> <td>0</td> </tr> <tr> <td><b>Access</b></td> <td>r/w</td> <td>r/w</td> <td>r/w</td> <td>r/w</td> <td>r/w</td> <td>r/w</td> <td>r/w</td> <td>r/w</td> </tr> <tr> <td><b>Function</b></td> <td colspan="8">Low Byte</td> </tr> <tr> <td><b>Default Value</b></td> <td>0</td> <td>1</td> <td>0</td> <td>0</td> <td>0</td> <td>1</td> <td>1</td> <td>1</td> </tr> </table>  | <b>Format</b>               | Linear, two's complement binary |          |     |     |     |  |  |  | <b>Bit Position</b> | 7 | 6 | 5 | 4 | 3 | 2 | 1 | 0 | <b>Access</b> | r   | r/w | r/w | r/w | r/w | r/w | r/w | r/w | <b>Function</b> | High Byte |  |  |  |          |  |  |  | <b>Default Value</b> | 0 | 0 | 0 | 0 | 0 | 1 | 0 | 1 | <b>Bit Position</b> | 7 | 6 | 5 | 4 | 3 | 2 | 1 | 0 | <b>Access</b> | r/w | r/w | r/w | r/w | r/w | r/w | r/w | r/w | <b>Function</b> | Low Byte |  |  |  |  |  |  |  | <b>Default Value</b> | 0 | 1 | 0 | 0 | 0 | 1 | 1 | 1 | YES |
| <b>Format</b>        | Linear, two's complement binary |   |                             |                                 |          |     |     |     |  |  |  |                     |   |   |   |   |   |   |   |   |               |     |     |     |     |     |     |     |     |                 |           |  |  |  |          |  |  |  |                      |   |   |   |   |   |   |   |   |                     |   |   |   |   |   |   |   |   |               |     |     |     |     |     |     |     |     |                 |          |  |  |  |  |  |  |  |                      |   |   |   |   |   |   |   |   |     |
| <b>Bit Position</b>  | 7                               | 6   | 5                           | 4                               | 3        | 2   | 1   | 0   |  |  |  |                     |   |   |   |   |   |   |   |   |               |     |     |     |     |     |     |     |     |                 |           |  |  |  |          |  |  |  |                      |   |   |   |   |   |   |   |   |                     |   |   |   |   |   |   |   |   |               |     |     |     |     |     |     |     |     |                 |          |  |  |  |  |  |  |  |                      |   |   |   |   |   |   |   |   |     |
| <b>Access</b>        | r                               | r/w   | r/w                         | r/w                             | r/w      | r/w | r/w | r/w |  |  |  |                     |   |   |   |   |   |   |   |   |               |     |     |     |     |     |     |     |     |                 |           |  |  |  |          |  |  |  |                      |   |   |   |   |   |   |   |   |                     |   |   |   |   |   |   |   |   |               |     |     |     |     |     |     |     |     |                 |          |  |  |  |  |  |  |  |                      |   |   |   |   |   |   |   |   |     |
| <b>Function</b>      | High Byte                       |   |                             |                                 |          |     |     |     |  |  |  |                     |   |   |   |   |   |   |   |   |               |     |     |     |     |     |     |     |     |                 |           |  |  |  |          |  |  |  |                      |   |   |   |   |   |   |   |   |                     |   |   |   |   |   |   |   |   |               |     |     |     |     |     |     |     |     |                 |          |  |  |  |  |  |  |  |                      |   |   |   |   |   |   |   |   |     |
| <b>Default Value</b> | 0                               | 0   | 0                           | 0                               | 0        | 1   | 0   | 1   |  |  |  |                     |   |   |   |   |   |   |   |   |               |     |     |     |     |     |     |     |     |                 |           |  |  |  |          |  |  |  |                      |   |   |   |   |   |   |   |   |                     |   |   |   |   |   |   |   |   |               |     |     |     |     |     |     |     |     |                 |          |  |  |  |  |  |  |  |                      |   |   |   |   |   |   |   |   |     |
| <b>Bit Position</b>  | 7                               | 6   | 5                           | 4                               | 3        | 2   | 1   | 0   |  |  |  |                     |   |   |   |   |   |   |   |   |               |     |     |     |     |     |     |     |     |                 |           |  |  |  |          |  |  |  |                      |   |   |   |   |   |   |   |   |                     |   |   |   |   |   |   |   |   |               |     |     |     |     |     |     |     |     |                 |          |  |  |  |  |  |  |  |                      |   |   |   |   |   |   |   |   |     |
| <b>Access</b>        | r/w                             | r/w   | r/w                         | r/w                             | r/w      | r/w | r/w | r/w |  |  |  |                     |   |   |   |   |   |   |   |   |               |     |     |     |     |     |     |     |     |                 |           |  |  |  |          |  |  |  |                      |   |   |   |   |   |   |   |   |                     |   |   |   |   |   |   |   |   |               |     |     |     |     |     |     |     |     |                 |          |  |  |  |  |  |  |  |                      |   |   |   |   |   |   |   |   |     |
| <b>Function</b>      | Low Byte                        |   |                             |                                 |          |     |     |     |  |  |  |                     |   |   |   |   |   |   |   |   |               |     |     |     |     |     |     |     |     |                 |           |  |  |  |          |  |  |  |                      |   |   |   |   |   |   |   |   |                     |   |   |   |   |   |   |   |   |               |     |     |     |     |     |     |     |     |                 |          |  |  |  |  |  |  |  |                      |   |   |   |   |   |   |   |   |     |
| <b>Default Value</b> | 0                               | 1   | 0                           | 0                               | 0        | 1   | 1   | 1   |  |  |  |                     |   |   |   |   |   |   |   |   |               |     |     |     |     |     |     |     |     |                 |           |  |  |  |          |  |  |  |                      |   |   |   |   |   |   |   |   |                     |   |   |   |   |   |   |   |   |               |     |     |     |     |     |     |     |     |                 |          |  |  |  |  |  |  |  |                      |   |   |   |   |   |   |   |   |     |
| 26                   | VOUT_MARGIN_LOW                 | Sets the target voltage for margining the output low<br><table border="1"> <tr> <td><b>Format</b></td> <td colspan="8">Linear, two's complement binary</td> </tr> <tr> <td><b>Bit Position</b></td> <td>7</td> <td>6</td> <td>5</td> <td>4</td> <td>3</td> <td>2</td> <td>1</td> <td>0</td> </tr> <tr> <td><b>Access</b></td> <td>r</td> <td>r/w</td> <td>r/w</td> <td>r/w</td> <td>r/w</td> <td>r/w</td> <td>r/w</td> <td>r/w</td> </tr> <tr> <td><b>Function</b></td> <td colspan="8">High Byte</td> </tr> <tr> <td><b>Default Value</b></td> <td>0</td> <td>0</td> <td>0</td> <td>0</td> <td>0</td> <td>1</td> <td>0</td> <td>0</td> </tr> <tr> <td><b>Bit Position</b></td> <td>7</td> <td>6</td> <td>5</td> <td>4</td> <td>3</td> <td>2</td> <td>1</td> <td>0</td> </tr> <tr> <td><b>Access</b></td> <td>r/w</td> <td>r/w</td> <td>r/w</td> <td>r/w</td> <td>r/w</td> <td>r/w</td> <td>r/w</td> <td>r/w</td> </tr> <tr> <td><b>Function</b></td> <td colspan="8">Low Byte</td> </tr> <tr> <td><b>Default Value</b></td> <td>0</td> <td>1</td> <td>0</td> <td>1</td> <td>0</td> <td>0</td> <td>0</td> <td>1</td> </tr> </table>   | <b>Format</b>               | Linear, two's complement binary |          |     |     |     |  |  |  | <b>Bit Position</b> | 7 | 6 | 5 | 4 | 3 | 2 | 1 | 0 | <b>Access</b> | r   | r/w | r/w | r/w | r/w | r/w | r/w | r/w | <b>Function</b> | High Byte |  |  |  |          |  |  |  | <b>Default Value</b> | 0 | 0 | 0 | 0 | 0 | 1 | 0 | 0 | <b>Bit Position</b> | 7 | 6 | 5 | 4 | 3 | 2 | 1 | 0 | <b>Access</b> | r/w | r/w | r/w | r/w | r/w | r/w | r/w | r/w | <b>Function</b> | Low Byte |  |  |  |  |  |  |  | <b>Default Value</b> | 0 | 1 | 0 | 1 | 0 | 0 | 0 | 1 | YES |
| <b>Format</b>        | Linear, two's complement binary |   |                             |                                 |          |     |     |     |  |  |  |                     |   |   |   |   |   |   |   |   |               |     |     |     |     |     |     |     |     |                 |           |  |  |  |          |  |  |  |                      |   |   |   |   |   |   |   |   |                     |   |   |   |   |   |   |   |   |               |     |     |     |     |     |     |     |     |                 |          |  |  |  |  |  |  |  |                      |   |   |   |   |   |   |   |   |     |
| <b>Bit Position</b>  | 7                               | 6   | 5                           | 4                               | 3        | 2   | 1   | 0   |  |  |  |                     |   |   |   |   |   |   |   |   |               |     |     |     |     |     |     |     |     |                 |           |  |  |  |          |  |  |  |                      |   |   |   |   |   |   |   |   |                     |   |   |   |   |   |   |   |   |               |     |     |     |     |     |     |     |     |                 |          |  |  |  |  |  |  |  |                      |   |   |   |   |   |   |   |   |     |
| <b>Access</b>        | r                               | r/w   | r/w                         | r/w                             | r/w      | r/w | r/w | r/w |  |  |  |                     |   |   |   |   |   |   |   |   |               |     |     |     |     |     |     |     |     |                 |           |  |  |  |          |  |  |  |                      |   |   |   |   |   |   |   |   |                     |   |   |   |   |   |   |   |   |               |     |     |     |     |     |     |     |     |                 |          |  |  |  |  |  |  |  |                      |   |   |   |   |   |   |   |   |     |
| <b>Function</b>      | High Byte                       |   |                             |                                 |          |     |     |     |  |  |  |                     |   |   |   |   |   |   |   |   |               |     |     |     |     |     |     |     |     |                 |           |  |  |  |          |  |  |  |                      |   |   |   |   |   |   |   |   |                     |   |   |   |   |   |   |   |   |               |     |     |     |     |     |     |     |     |                 |          |  |  |  |  |  |  |  |                      |   |   |   |   |   |   |   |   |     |
| <b>Default Value</b> | 0                               | 0   | 0                           | 0                               | 0        | 1   | 0   | 0   |  |  |  |                     |   |   |   |   |   |   |   |   |               |     |     |     |     |     |     |     |     |                 |           |  |  |  |          |  |  |  |                      |   |   |   |   |   |   |   |   |                     |   |   |   |   |   |   |   |   |               |     |     |     |     |     |     |     |     |                 |          |  |  |  |  |  |  |  |                      |   |   |   |   |   |   |   |   |     |
| <b>Bit Position</b>  | 7                               | 6   | 5                           | 4                               | 3        | 2   | 1   | 0   |  |  |  |                     |   |   |   |   |   |   |   |   |               |     |     |     |     |     |     |     |     |                 |           |  |  |  |          |  |  |  |                      |   |   |   |   |   |   |   |   |                     |   |   |   |   |   |   |   |   |               |     |     |     |     |     |     |     |     |                 |          |  |  |  |  |  |  |  |                      |   |   |   |   |   |   |   |   |     |
| <b>Access</b>        | r/w                             | r/w   | r/w                         | r/w                             | r/w      | r/w | r/w | r/w |  |  |  |                     |   |   |   |   |   |   |   |   |               |     |     |     |     |     |     |     |     |                 |           |  |  |  |          |  |  |  |                      |   |   |   |   |   |   |   |   |                     |   |   |   |   |   |   |   |   |               |     |     |     |     |     |     |     |     |                 |          |  |  |  |  |  |  |  |                      |   |   |   |   |   |   |   |   |     |
| <b>Function</b>      | Low Byte                        |   |                             |                                 |          |     |     |     |  |  |  |                     |   |   |   |   |   |   |   |   |               |     |     |     |     |     |     |     |     |                 |           |  |  |  |          |  |  |  |                      |   |   |   |   |   |   |   |   |                     |   |   |   |   |   |   |   |   |               |     |     |     |     |     |     |     |     |                 |          |  |  |  |  |  |  |  |                      |   |   |   |   |   |   |   |   |     |
| <b>Default Value</b> | 0                               | 1   | 0                           | 1                               | 0        | 0   | 0   | 1   |  |  |  |                     |   |   |   |   |   |   |   |   |               |     |     |     |     |     |     |     |     |                 |           |  |  |  |          |  |  |  |                      |   |   |   |   |   |   |   |   |                     |   |   |   |   |   |   |   |   |               |     |     |     |     |     |     |     |     |                 |          |  |  |  |  |  |  |  |                      |   |   |   |   |   |   |   |   |     |
| 29                   | VOUT_SCALE_LOOP                 | Sets the scaling of the output voltage – equal to the feedback resistor divider ratio<br><table border="1"> <tr> <td><b>Format</b></td> <td colspan="8">Linear, two's complement binary</td> </tr> <tr> <td><b>Bit Position</b></td> <td>7</td> <td>6</td> <td>5</td> <td>4</td> <td>3</td> <td>2</td> <td>1</td> <td>0</td> </tr> <tr> <td><b>Access</b></td> <td>r</td> <td>r</td> <td>r</td> <td>r</td> <td>r</td> <td>r</td> <td>r/w</td> <td>r/w</td> </tr> <tr> <td><b>Function</b></td> <td colspan="4">Exponent</td> <td colspan="4">Mantissa</td> </tr> <tr> <td><b>Default Value</b></td> <td>1</td> <td>0</td> <td>1</td> <td>1</td> <td>1</td> <td>0</td> <td>0</td> <td>1</td> </tr> <tr> <td><b>Bit Position</b></td> <td>7</td> <td>6</td> <td>5</td> <td>4</td> <td>3</td> <td>2</td> <td>1</td> <td>0</td> </tr> <tr> <td><b>Access</b></td> <td>r/w</td> <td>r/w</td> <td>r/w</td> <td>r/w</td> <td>r/w</td> <td>r/w</td> <td>r/w</td> <td>r/w</td> </tr> <tr> <td><b>Function</b></td> <td colspan="8">Mantissa</td> </tr> <tr> <td><b>Default Value</b></td> <td>0</td> <td>0</td> <td>0</td> <td>0</td> <td>0</td> <td>0</td> <td>0</td> <td>0</td> </tr> </table> | <b>Format</b>               | Linear, two's complement binary |          |     |     |     |  |  |  | <b>Bit Position</b> | 7 | 6 | 5 | 4 | 3 | 2 | 1 | 0 | <b>Access</b> | r   | r   | r   | r   | r   | r   | r/w | r/w | <b>Function</b> | Exponent  |  |  |  | Mantissa |  |  |  | <b>Default Value</b> | 1 | 0 | 1 | 1 | 1 | 0 | 0 | 1 | <b>Bit Position</b> | 7 | 6 | 5 | 4 | 3 | 2 | 1 | 0 | <b>Access</b> | r/w | r/w | r/w | r/w | r/w | r/w | r/w | r/w | <b>Function</b> | Mantissa |  |  |  |  |  |  |  | <b>Default Value</b> | 0 | 0 | 0 | 0 | 0 | 0 | 0 | 0 | YES |
| <b>Format</b>        | Linear, two's complement binary |   |                             |                                 |          |     |     |     |  |  |  |                     |   |   |   |   |   |   |   |   |               |     |     |     |     |     |     |     |     |                 |           |  |  |  |          |  |  |  |                      |   |   |   |   |   |   |   |   |                     |   |   |   |   |   |   |   |   |               |     |     |     |     |     |     |     |     |                 |          |  |  |  |  |  |  |  |                      |   |   |   |   |   |   |   |   |     |
| <b>Bit Position</b>  | 7                               | 6   | 5                           | 4                               | 3        | 2   | 1   | 0   |  |  |  |                     |   |   |   |   |   |   |   |   |               |     |     |     |     |     |     |     |     |                 |           |  |  |  |          |  |  |  |                      |   |   |   |   |   |   |   |   |                     |   |   |   |   |   |   |   |   |               |     |     |     |     |     |     |     |     |                 |          |  |  |  |  |  |  |  |                      |   |   |   |   |   |   |   |   |     |
| <b>Access</b>        | r                               | r   | r                           | r                               | r        | r   | r/w | r/w |  |  |  |                     |   |   |   |   |   |   |   |   |               |     |     |     |     |     |     |     |     |                 |           |  |  |  |          |  |  |  |                      |   |   |   |   |   |   |   |   |                     |   |   |   |   |   |   |   |   |               |     |     |     |     |     |     |     |     |                 |          |  |  |  |  |  |  |  |                      |   |   |   |   |   |   |   |   |     |
| <b>Function</b>      | Exponent                        |   |                             |                                 | Mantissa |     |     |     |  |  |  |                     |   |   |   |   |   |   |   |   |               |     |     |     |     |     |     |     |     |                 |           |  |  |  |          |  |  |  |                      |   |   |   |   |   |   |   |   |                     |   |   |   |   |   |   |   |   |               |     |     |     |     |     |     |     |     |                 |          |  |  |  |  |  |  |  |                      |   |   |   |   |   |   |   |   |     |
| <b>Default Value</b> | 1                               | 0   | 1                           | 1                               | 1        | 0   | 0   | 1   |  |  |  |                     |   |   |   |   |   |   |   |   |               |     |     |     |     |     |     |     |     |                 |           |  |  |  |          |  |  |  |                      |   |   |   |   |   |   |   |   |                     |   |   |   |   |   |   |   |   |               |     |     |     |     |     |     |     |     |                 |          |  |  |  |  |  |  |  |                      |   |   |   |   |   |   |   |   |     |
| <b>Bit Position</b>  | 7                               | 6   | 5                           | 4                               | 3        | 2   | 1   | 0   |  |  |  |                     |   |   |   |   |   |   |   |   |               |     |     |     |     |     |     |     |     |                 |           |  |  |  |          |  |  |  |                      |   |   |   |   |   |   |   |   |                     |   |   |   |   |   |   |   |   |               |     |     |     |     |     |     |     |     |                 |          |  |  |  |  |  |  |  |                      |   |   |   |   |   |   |   |   |     |
| <b>Access</b>        | r/w                             | r/w   | r/w                         | r/w                             | r/w      | r/w | r/w | r/w |  |  |  |                     |   |   |   |   |   |   |   |   |               |     |     |     |     |     |     |     |     |                 |           |  |  |  |          |  |  |  |                      |   |   |   |   |   |   |   |   |                     |   |   |   |   |   |   |   |   |               |     |     |     |     |     |     |     |     |                 |          |  |  |  |  |  |  |  |                      |   |   |   |   |   |   |   |   |     |
| <b>Function</b>      | Mantissa                        |   |                             |                                 |          |     |     |     |  |  |  |                     |   |   |   |   |   |   |   |   |               |     |     |     |     |     |     |     |     |                 |           |  |  |  |          |  |  |  |                      |   |   |   |   |   |   |   |   |                     |   |   |   |   |   |   |   |   |               |     |     |     |     |     |     |     |     |                 |          |  |  |  |  |  |  |  |                      |   |   |   |   |   |   |   |   |     |
| <b>Default Value</b> | 0                               | 0   | 0                           | 0                               | 0        | 0   | 0   | 0   |  |  |  |                     |   |   |   |   |   |   |   |   |               |     |     |     |     |     |     |     |     |                 |           |  |  |  |          |  |  |  |                      |   |   |   |   |   |   |   |   |                     |   |   |   |   |   |   |   |   |               |     |     |     |     |     |     |     |     |                 |          |  |  |  |  |  |  |  |                      |   |   |   |   |   |   |   |   |     |
| 35                   | VIN_ON                          | Sets the value of input voltage at which the module turns on<br><table border="1"> <tr> <td><b>Format</b></td> <td colspan="8">Linear, two's complement binary</td> </tr> <tr> <td><b>Bit Position</b></td> <td>7</td> <td>6</td> <td>5</td> <td>4</td> <td>3</td> <td>2</td> <td>1</td> <td>0</td> </tr> <tr> <td><b>Access</b></td> <td>r</td> <td>r</td> <td>r</td> <td>r</td> <td>r</td> <td>r</td> <td>r</td> <td>r</td> </tr> <tr> <td><b>Function</b></td> <td colspan="4">Exponent</td> <td colspan="4">Mantissa</td> </tr> <tr> <td><b>Default Value</b></td> <td>1</td> <td>1</td> <td>1</td> <td>1</td> <td>0</td> <td>0</td> <td>0</td> <td>0</td> </tr> <tr> <td><b>Bit Position</b></td> <td>7</td> <td>6</td> <td>5</td> <td>4</td> <td>3</td> <td>2</td> <td>1</td> <td>0</td> </tr> <tr> <td><b>Access</b></td> <td>r</td> <td>r/w</td> <td>r/w</td> <td>r/w</td> <td>r/w</td> <td>r/w</td> <td>r/w</td> <td>r/w</td> </tr> <tr> <td><b>Function</b></td> <td colspan="8">Mantissa</td> </tr> <tr> <td><b>Default Value</b></td> <td>0</td> <td>0</td> <td>0</td> <td>0</td> <td>1</td> <td>0</td> <td>1</td> <td>1</td> </tr> </table>                                | <b>Format</b>               | Linear, two's complement binary |          |     |     |     |  |  |  | <b>Bit Position</b> | 7 | 6 | 5 | 4 | 3 | 2 | 1 | 0 | <b>Access</b> | r   | r   | r   | r   | r   | r   | r   | r   | <b>Function</b> | Exponent  |  |  |  | Mantissa |  |  |  | <b>Default Value</b> | 1 | 1 | 1 | 1 | 0 | 0 | 0 | 0 | <b>Bit Position</b> | 7 | 6 | 5 | 4 | 3 | 2 | 1 | 0 | <b>Access</b> | r   | r/w | r/w | r/w | r/w | r/w | r/w | r/w | <b>Function</b> | Mantissa |  |  |  |  |  |  |  | <b>Default Value</b> | 0 | 0 | 0 | 0 | 1 | 0 | 1 | 1 | YES |
| <b>Format</b>        | Linear, two's complement binary |   |                             |                                 |          |     |     |     |  |  |  |                     |   |   |   |   |   |   |   |   |               |     |     |     |     |     |     |     |     |                 |           |  |  |  |          |  |  |  |                      |   |   |   |   |   |   |   |   |                     |   |   |   |   |   |   |   |   |               |     |     |     |     |     |     |     |     |                 |          |  |  |  |  |  |  |  |                      |   |   |   |   |   |   |   |   |     |
| <b>Bit Position</b>  | 7                               | 6   | 5                           | 4                               | 3        | 2   | 1   | 0   |  |  |  |                     |   |   |   |   |   |   |   |   |               |     |     |     |     |     |     |     |     |                 |           |  |  |  |          |  |  |  |                      |   |   |   |   |   |   |   |   |                     |   |   |   |   |   |   |   |   |               |     |     |     |     |     |     |     |     |                 |          |  |  |  |  |  |  |  |                      |   |   |   |   |   |   |   |   |     |
| <b>Access</b>        | r                               | r   | r                           | r                               | r        | r   | r   | r   |  |  |  |                     |   |   |   |   |   |   |   |   |               |     |     |     |     |     |     |     |     |                 |           |  |  |  |          |  |  |  |                      |   |   |   |   |   |   |   |   |                     |   |   |   |   |   |   |   |   |               |     |     |     |     |     |     |     |     |                 |          |  |  |  |  |  |  |  |                      |   |   |   |   |   |   |   |   |     |
| <b>Function</b>      | Exponent                        |   |                             |                                 | Mantissa |     |     |     |  |  |  |                     |   |   |   |   |   |   |   |   |               |     |     |     |     |     |     |     |     |                 |           |  |  |  |          |  |  |  |                      |   |   |   |   |   |   |   |   |                     |   |   |   |   |   |   |   |   |               |     |     |     |     |     |     |     |     |                 |          |  |  |  |  |  |  |  |                      |   |   |   |   |   |   |   |   |     |
| <b>Default Value</b> | 1                               | 1   | 1                           | 1                               | 0        | 0   | 0   | 0   |  |  |  |                     |   |   |   |   |   |   |   |   |               |     |     |     |     |     |     |     |     |                 |           |  |  |  |          |  |  |  |                      |   |   |   |   |   |   |   |   |                     |   |   |   |   |   |   |   |   |               |     |     |     |     |     |     |     |     |                 |          |  |  |  |  |  |  |  |                      |   |   |   |   |   |   |   |   |     |
| <b>Bit Position</b>  | 7                               | 6   | 5                           | 4                               | 3        | 2   | 1   | 0   |  |  |  |                     |   |   |   |   |   |   |   |   |               |     |     |     |     |     |     |     |     |                 |           |  |  |  |          |  |  |  |                      |   |   |   |   |   |   |   |   |                     |   |   |   |   |   |   |   |   |               |     |     |     |     |     |     |     |     |                 |          |  |  |  |  |  |  |  |                      |   |   |   |   |   |   |   |   |     |
| <b>Access</b>        | r                               | r/w   | r/w                         | r/w                             | r/w      | r/w | r/w | r/w |  |  |  |                     |   |   |   |   |   |   |   |   |               |     |     |     |     |     |     |     |     |                 |           |  |  |  |          |  |  |  |                      |   |   |   |   |   |   |   |   |                     |   |   |   |   |   |   |   |   |               |     |     |     |     |     |     |     |     |                 |          |  |  |  |  |  |  |  |                      |   |   |   |   |   |   |   |   |     |
| <b>Function</b>      | Mantissa                        |   |                             |                                 |          |     |     |     |  |  |  |                     |   |   |   |   |   |   |   |   |               |     |     |     |     |     |     |     |     |                 |           |  |  |  |          |  |  |  |                      |   |   |   |   |   |   |   |   |                     |   |   |   |   |   |   |   |   |               |     |     |     |     |     |     |     |     |                 |          |  |  |  |  |  |  |  |                      |   |   |   |   |   |   |   |   |     |
| <b>Default Value</b> | 0                               | 0   | 0                           | 0                               | 1        | 0   | 1   | 1   |  |  |  |                     |   |   |   |   |   |   |   |   |               |     |     |     |     |     |     |     |     |                 |           |  |  |  |          |  |  |  |                      |   |   |   |   |   |   |   |   |                     |   |   |   |   |   |   |   |   |               |     |     |     |     |     |     |     |     |                 |          |  |  |  |  |  |  |  |                      |   |   |   |   |   |   |   |   |     |

3A Digital PicoDlynx™: Non-Isolated DC-DC Power Modules  
 3Vdc –14.4Vdc input; 0.45Vdc to 5.5Vdc output; 3A Output Current

Table 6 (continued)

| Hex Code             | Command                                  | Brief Description  | Non-Volatile Memory Storage              |                                 |          |     |     |     |  |  |  |                     |   |   |   |   |   |   |   |   |               |     |     |     |     |     |     |     |     |                 |           |         |       |       |          |   |   |   |                      |   |   |   |   |   |   |   |   |                     |   |   |   |   |   |   |   |   |               |     |     |     |     |     |     |     |     |                 |          |  |  |  |  |  |  |  |                      |  |   |  |   |   |   |   |   |     |     |
|----------------------|--|--|--|---------------------------------|----------|-----|-----|-----|--|--|--|---------------------|---|---|---|---|---|---|---|---|---------------|-----|-----|-----|-----|-----|-----|-----|-----|-----------------|-----------|---------|-------|-------|----------|---|---|---|----------------------|---|---|---|---|---|---|---|---|---------------------|---|---|---|---|---|---|---|---|---------------|-----|-----|-----|-----|-----|-----|-----|-----|-----------------|----------|--|--|--|--|--|--|--|----------------------|--|---|--|---|---|---|---|---|-----|-----|
| 36                   | VIN_OFF                                  | <p>Sets the value of input voltage at which the module turns off</p> <table border="1"> <tr> <td><b>Format</b></td> <td colspan="8">Linear, two's complement binary</td> </tr> <tr> <td><b>Bit Position</b></td> <td>7</td><td>6</td><td>5</td><td>4</td><td>3</td><td>2</td><td>1</td><td>0</td> </tr> <tr> <td><b>Access</b></td> <td>r</td><td>r</td><td>r</td><td>r</td><td>r</td><td>r</td><td>r</td><td>r</td> </tr> <tr> <td><b>Function</b></td> <td colspan="4">Exponent</td> <td colspan="4">Mantissa</td> </tr> <tr> <td><b>Default Value</b></td> <td>1</td><td>1</td><td>1</td><td>1</td><td>0</td><td>0</td><td>0</td><td>0</td> </tr> <tr> <td><b>Bit Position</b></td> <td>7</td><td>6</td><td>5</td><td>4</td><td>3</td><td>2</td><td>1</td><td>0</td> </tr> <tr> <td><b>Access</b></td> <td>r</td><td>r/w</td><td>r/w</td><td>r/w</td><td>r/w</td><td>r/w</td><td>r/w</td><td>r/w</td> </tr> <tr> <td><b>Function</b></td> <td colspan="8">Mantissa</td> </tr> <tr> <td><b>Default Value</b></td> <td>0</td><td>0</td><td>0</td><td>0</td><td>1</td><td>0</td><td>1</td><td>0</td> </tr> </table>  | <b>Format</b>                            | Linear, two's complement binary |          |     |     |     |  |  |  | <b>Bit Position</b> | 7 | 6 | 5 | 4 | 3 | 2 | 1 | 0 | <b>Access</b> | r   | r   | r   | r   | r   | r   | r   | r   | <b>Function</b> | Exponent  |         |       |       | Mantissa |   |   |   | <b>Default Value</b> | 1 | 1 | 1 | 1 | 0 | 0 | 0 | 0 | <b>Bit Position</b> | 7 | 6 | 5 | 4 | 3 | 2 | 1 | 0 | <b>Access</b> | r   | r/w | r/w | r/w | r/w | r/w | r/w | r/w | <b>Function</b> | Mantissa |  |  |  |  |  |  |  | <b>Default Value</b> | 0  | 0 | 0  | 0 | 1 | 0 | 1 | 0 | YES |     |
| <b>Format</b>        | Linear, two's complement binary          |  |  |                                 |          |     |     |     |  |  |  |                     |   |   |   |   |   |   |   |   |               |     |     |     |     |     |     |     |     |                 |           |         |       |       |          |   |   |   |                      |   |   |   |   |   |   |   |   |                     |   |   |   |   |   |   |   |   |               |     |     |     |     |     |     |     |     |                 |          |  |  |  |  |  |  |  |                      |  |   |  |   |   |   |   |   |     |     |
| <b>Bit Position</b>  | 7  | 6  | 5  | 4                               | 3        | 2   | 1   | 0   |  |  |  |                     |   |   |   |   |   |   |   |   |               |     |     |     |     |     |     |     |     |                 |           |         |       |       |          |   |   |   |                      |   |   |   |   |   |   |   |   |                     |   |   |   |   |   |   |   |   |               |     |     |     |     |     |     |     |     |                 |          |  |  |  |  |  |  |  |                      |  |   |  |   |   |   |   |   |     |     |
| <b>Access</b>        | r  | r  | r  | r                               | r        | r   | r   | r   |  |  |  |                     |   |   |   |   |   |   |   |   |               |     |     |     |     |     |     |     |     |                 |           |         |       |       |          |   |   |   |                      |   |   |   |   |   |   |   |   |                     |   |   |   |   |   |   |   |   |               |     |     |     |     |     |     |     |     |                 |          |  |  |  |  |  |  |  |                      |  |   |  |   |   |   |   |   |     |     |
| <b>Function</b>      | Exponent                                 |  |  |                                 | Mantissa |     |     |     |  |  |  |                     |   |   |   |   |   |   |   |   |               |     |     |     |     |     |     |     |     |                 |           |         |       |       |          |   |   |   |                      |   |   |   |   |   |   |   |   |                     |   |   |   |   |   |   |   |   |               |     |     |     |     |     |     |     |     |                 |          |  |  |  |  |  |  |  |                      |  |   |  |   |   |   |   |   |     |     |
| <b>Default Value</b> | 1  | 1  | 1  | 1                               | 0        | 0   | 0   | 0   |  |  |  |                     |   |   |   |   |   |   |   |   |               |     |     |     |     |     |     |     |     |                 |           |         |       |       |          |   |   |   |                      |   |   |   |   |   |   |   |   |                     |   |   |   |   |   |   |   |   |               |     |     |     |     |     |     |     |     |                 |          |  |  |  |  |  |  |  |                      |  |   |  |   |   |   |   |   |     |     |
| <b>Bit Position</b>  | 7  | 6  | 5  | 4                               | 3        | 2   | 1   | 0   |  |  |  |                     |   |   |   |   |   |   |   |   |               |     |     |     |     |     |     |     |     |                 |           |         |       |       |          |   |   |   |                      |   |   |   |   |   |   |   |   |                     |   |   |   |   |   |   |   |   |               |     |     |     |     |     |     |     |     |                 |          |  |  |  |  |  |  |  |                      |  |   |  |   |   |   |   |   |     |     |
| <b>Access</b>        | r  | r/w  | r/w                                      | r/w                             | r/w      | r/w | r/w | r/w |  |  |  |                     |   |   |   |   |   |   |   |   |               |     |     |     |     |     |     |     |     |                 |           |         |       |       |          |   |   |   |                      |   |   |   |   |   |   |   |   |                     |   |   |   |   |   |   |   |   |               |     |     |     |     |     |     |     |     |                 |          |  |  |  |  |  |  |  |                      |  |   |  |   |   |   |   |   |     |     |
| <b>Function</b>      | Mantissa                                 |  |  |                                 |          |     |     |     |  |  |  |                     |   |   |   |   |   |   |   |   |               |     |     |     |     |     |     |     |     |                 |           |         |       |       |          |   |   |   |                      |   |   |   |   |   |   |   |   |                     |   |   |   |   |   |   |   |   |               |     |     |     |     |     |     |     |     |                 |          |  |  |  |  |  |  |  |                      |  |   |  |   |   |   |   |   |     |     |
| <b>Default Value</b> | 0  | 0  | 0  | 0                               | 1        | 0   | 1   | 0   |  |  |  |                     |   |   |   |   |   |   |   |   |               |     |     |     |     |     |     |     |     |                 |           |         |       |       |          |   |   |   |                      |   |   |   |   |   |   |   |   |                     |   |   |   |   |   |   |   |   |               |     |     |     |     |     |     |     |     |                 |          |  |  |  |  |  |  |  |                      |  |   |  |   |   |   |   |   |     |     |
| 38                   | IOUT_CAL_GAIN                            | <p>Returns the value of the gain correction term used to correct the measured output current</p> <table border="1"> <tr> <td><b>Format</b></td> <td colspan="8">Linear, two's complement binary</td> </tr> <tr> <td><b>Bit Position</b></td> <td>7</td><td>6</td><td>5</td><td>4</td><td>3</td><td>2</td><td>1</td><td>0</td> </tr> <tr> <td><b>Access</b></td> <td>r</td><td>r</td><td>r</td><td>r</td><td>r</td><td>r</td><td>r</td><td>r/w</td> </tr> <tr> <td><b>Function</b></td> <td colspan="4">Exponent</td> <td colspan="4">Mantissa</td> </tr> <tr> <td><b>Default Value</b></td> <td>1</td><td>0</td><td>0</td><td>0</td><td>1</td><td>0</td><td>0</td><td>V</td> </tr> <tr> <td><b>Bit Position</b></td> <td>7</td><td>6</td><td>5</td><td>4</td><td>3</td><td>2</td><td>1</td><td>0</td> </tr> <tr> <td><b>Access</b></td> <td>r/w</td><td>r/w</td><td>r/w</td><td>r/w</td><td>r/w</td><td>r/w</td><td>r/w</td><td>r/w</td> </tr> <tr> <td><b>Function</b></td> <td colspan="8">Mantissa</td> </tr> <tr> <td><b>Default Value</b></td> <td colspan="8">V: Variable based on factory calibration</td> </tr> </table>   | <b>Format</b>                            | Linear, two's complement binary |          |     |     |     |  |  |  | <b>Bit Position</b> | 7 | 6 | 5 | 4 | 3 | 2 | 1 | 0 | <b>Access</b> | r   | r   | r   | r   | r   | r   | r   | r/w | <b>Function</b> | Exponent  |         |       |       | Mantissa |   |   |   | <b>Default Value</b> | 1 | 0 | 0 | 0 | 1 | 0 | 0 | V | <b>Bit Position</b> | 7 | 6 | 5 | 4 | 3 | 2 | 1 | 0 | <b>Access</b> | r/w | r/w | r/w | r/w | r/w | r/w | r/w | r/w | <b>Function</b> | Mantissa |  |  |  |  |  |  |  | <b>Default Value</b> | V: Variable based on factory calibration |   |  |   |   |   |   |   | YES |     |
| <b>Format</b>        | Linear, two's complement binary          |  |  |                                 |          |     |     |     |  |  |  |                     |   |   |   |   |   |   |   |   |               |     |     |     |     |     |     |     |     |                 |           |         |       |       |          |   |   |   |                      |   |   |   |   |   |   |   |   |                     |   |   |   |   |   |   |   |   |               |     |     |     |     |     |     |     |     |                 |          |  |  |  |  |  |  |  |                      |  |   |  |   |   |   |   |   |     |     |
| <b>Bit Position</b>  | 7  | 6  | 5  | 4                               | 3        | 2   | 1   | 0   |  |  |  |                     |   |   |   |   |   |   |   |   |               |     |     |     |     |     |     |     |     |                 |           |         |       |       |          |   |   |   |                      |   |   |   |   |   |   |   |   |                     |   |   |   |   |   |   |   |   |               |     |     |     |     |     |     |     |     |                 |          |  |  |  |  |  |  |  |                      |  |   |  |   |   |   |   |   |     |     |
| <b>Access</b>        | r  | r  | r  | r                               | r        | r   | r   | r/w |  |  |  |                     |   |   |   |   |   |   |   |   |               |     |     |     |     |     |     |     |     |                 |           |         |       |       |          |   |   |   |                      |   |   |   |   |   |   |   |   |                     |   |   |   |   |   |   |   |   |               |     |     |     |     |     |     |     |     |                 |          |  |  |  |  |  |  |  |                      |  |   |  |   |   |   |   |   |     |     |
| <b>Function</b>      | Exponent                                 |  |  |                                 | Mantissa |     |     |     |  |  |  |                     |   |   |   |   |   |   |   |   |               |     |     |     |     |     |     |     |     |                 |           |         |       |       |          |   |   |   |                      |   |   |   |   |   |   |   |   |                     |   |   |   |   |   |   |   |   |               |     |     |     |     |     |     |     |     |                 |          |  |  |  |  |  |  |  |                      |  |   |  |   |   |   |   |   |     |     |
| <b>Default Value</b> | 1  | 0  | 0  | 0                               | 1        | 0   | 0   | V   |  |  |  |                     |   |   |   |   |   |   |   |   |               |     |     |     |     |     |     |     |     |                 |           |         |       |       |          |   |   |   |                      |   |   |   |   |   |   |   |   |                     |   |   |   |   |   |   |   |   |               |     |     |     |     |     |     |     |     |                 |          |  |  |  |  |  |  |  |                      |  |   |  |   |   |   |   |   |     |     |
| <b>Bit Position</b>  | 7  | 6  | 5  | 4                               | 3        | 2   | 1   | 0   |  |  |  |                     |   |   |   |   |   |   |   |   |               |     |     |     |     |     |     |     |     |                 |           |         |       |       |          |   |   |   |                      |   |   |   |   |   |   |   |   |                     |   |   |   |   |   |   |   |   |               |     |     |     |     |     |     |     |     |                 |          |  |  |  |  |  |  |  |                      |  |   |  |   |   |   |   |   |     |     |
| <b>Access</b>        | r/w                                      | r/w  | r/w                                      | r/w                             | r/w      | r/w | r/w | r/w |  |  |  |                     |   |   |   |   |   |   |   |   |               |     |     |     |     |     |     |     |     |                 |           |         |       |       |          |   |   |   |                      |   |   |   |   |   |   |   |   |                     |   |   |   |   |   |   |   |   |               |     |     |     |     |     |     |     |     |                 |          |  |  |  |  |  |  |  |                      |  |   |  |   |   |   |   |   |     |     |
| <b>Function</b>      | Mantissa                                 |  |  |                                 |          |     |     |     |  |  |  |                     |   |   |   |   |   |   |   |   |               |     |     |     |     |     |     |     |     |                 |           |         |       |       |          |   |   |   |                      |   |   |   |   |   |   |   |   |                     |   |   |   |   |   |   |   |   |               |     |     |     |     |     |     |     |     |                 |          |  |  |  |  |  |  |  |                      |  |   |  |   |   |   |   |   |     |     |
| <b>Default Value</b> | V: Variable based on factory calibration |  |  |                                 |          |     |     |     |  |  |  |                     |   |   |   |   |   |   |   |   |               |     |     |     |     |     |     |     |     |                 |           |         |       |       |          |   |   |   |                      |   |   |   |   |   |   |   |   |                     |   |   |   |   |   |   |   |   |               |     |     |     |     |     |     |     |     |                 |          |  |  |  |  |  |  |  |                      |  |   |  |   |   |   |   |   |     |     |
| 39                   | IOUT_CAL_OFFSET                          | <p>Returns the value of the offset correction term used to correct the measured output current</p> <table border="1"> <tr> <td><b>Format</b></td> <td colspan="8">Linear, two's complement binary</td> </tr> <tr> <td><b>Bit Position</b></td> <td>7</td><td>6</td><td>5</td><td>4</td><td>3</td><td>2</td><td>1</td><td>0</td> </tr> <tr> <td><b>Access</b></td> <td>r</td><td>r</td><td>r</td><td>r</td><td>r</td><td>r/w</td><td>r</td><td>r</td> </tr> <tr> <td><b>Function</b></td> <td colspan="4">Exponent</td> <td colspan="4">Mantissa</td> </tr> <tr> <td><b>Default Value</b></td> <td>1</td><td>1</td><td>1</td><td>0</td><td>0</td><td>V</td><td>0</td><td>0</td> </tr> <tr> <td><b>Bit Position</b></td> <td>7</td><td>6</td><td>5</td><td>4</td><td>3</td><td>2</td><td>1</td><td>0</td> </tr> <tr> <td><b>Access</b></td> <td>r</td><td>r</td><td>r/w</td><td>r/w</td><td>r/w</td><td>r/w</td><td>r/w</td><td>r/w</td> </tr> <tr> <td><b>Function</b></td> <td colspan="8">Mantissa</td> </tr> <tr> <td><b>Default Value</b></td> <td>0</td><td>0</td><td colspan="6">V: Variable based on factory calibration</td><td></td> </tr> </table>  | <b>Format</b>                            | Linear, two's complement binary |          |     |     |     |  |  |  | <b>Bit Position</b> | 7 | 6 | 5 | 4 | 3 | 2 | 1 | 0 | <b>Access</b> | r   | r   | r   | r   | r   | r/w | r   | r   | <b>Function</b> | Exponent  |         |       |       | Mantissa |   |   |   | <b>Default Value</b> | 1 | 1 | 1 | 0 | 0 | V | 0 | 0 | <b>Bit Position</b> | 7 | 6 | 5 | 4 | 3 | 2 | 1 | 0 | <b>Access</b> | r   | r   | r/w | r/w | r/w | r/w | r/w | r/w | <b>Function</b> | Mantissa |  |  |  |  |  |  |  | <b>Default Value</b> | 0  | 0 | V: Variable based on factory calibration |   |   |   |   |   |     | YES |
| <b>Format</b>        | Linear, two's complement binary          |  |  |                                 |          |     |     |     |  |  |  |                     |   |   |   |   |   |   |   |   |               |     |     |     |     |     |     |     |     |                 |           |         |       |       |          |   |   |   |                      |   |   |   |   |   |   |   |   |                     |   |   |   |   |   |   |   |   |               |     |     |     |     |     |     |     |     |                 |          |  |  |  |  |  |  |  |                      |  |   |  |   |   |   |   |   |     |     |
| <b>Bit Position</b>  | 7  | 6  | 5  | 4                               | 3        | 2   | 1   | 0   |  |  |  |                     |   |   |   |   |   |   |   |   |               |     |     |     |     |     |     |     |     |                 |           |         |       |       |          |   |   |   |                      |   |   |   |   |   |   |   |   |                     |   |   |   |   |   |   |   |   |               |     |     |     |     |     |     |     |     |                 |          |  |  |  |  |  |  |  |                      |  |   |  |   |   |   |   |   |     |     |
| <b>Access</b>        | r  | r  | r  | r                               | r        | r/w | r   | r   |  |  |  |                     |   |   |   |   |   |   |   |   |               |     |     |     |     |     |     |     |     |                 |           |         |       |       |          |   |   |   |                      |   |   |   |   |   |   |   |   |                     |   |   |   |   |   |   |   |   |               |     |     |     |     |     |     |     |     |                 |          |  |  |  |  |  |  |  |                      |  |   |  |   |   |   |   |   |     |     |
| <b>Function</b>      | Exponent                                 |  |  |                                 | Mantissa |     |     |     |  |  |  |                     |   |   |   |   |   |   |   |   |               |     |     |     |     |     |     |     |     |                 |           |         |       |       |          |   |   |   |                      |   |   |   |   |   |   |   |   |                     |   |   |   |   |   |   |   |   |               |     |     |     |     |     |     |     |     |                 |          |  |  |  |  |  |  |  |                      |  |   |  |   |   |   |   |   |     |     |
| <b>Default Value</b> | 1  | 1  | 1  | 0                               | 0        | V   | 0   | 0   |  |  |  |                     |   |   |   |   |   |   |   |   |               |     |     |     |     |     |     |     |     |                 |           |         |       |       |          |   |   |   |                      |   |   |   |   |   |   |   |   |                     |   |   |   |   |   |   |   |   |               |     |     |     |     |     |     |     |     |                 |          |  |  |  |  |  |  |  |                      |  |   |  |   |   |   |   |   |     |     |
| <b>Bit Position</b>  | 7  | 6  | 5  | 4                               | 3        | 2   | 1   | 0   |  |  |  |                     |   |   |   |   |   |   |   |   |               |     |     |     |     |     |     |     |     |                 |           |         |       |       |          |   |   |   |                      |   |   |   |   |   |   |   |   |                     |   |   |   |   |   |   |   |   |               |     |     |     |     |     |     |     |     |                 |          |  |  |  |  |  |  |  |                      |  |   |  |   |   |   |   |   |     |     |
| <b>Access</b>        | r  | r  | r/w                                      | r/w                             | r/w      | r/w | r/w | r/w |  |  |  |                     |   |   |   |   |   |   |   |   |               |     |     |     |     |     |     |     |     |                 |           |         |       |       |          |   |   |   |                      |   |   |   |   |   |   |   |   |                     |   |   |   |   |   |   |   |   |               |     |     |     |     |     |     |     |     |                 |          |  |  |  |  |  |  |  |                      |  |   |  |   |   |   |   |   |     |     |
| <b>Function</b>      | Mantissa                                 |  |  |                                 |          |     |     |     |  |  |  |                     |   |   |   |   |   |   |   |   |               |     |     |     |     |     |     |     |     |                 |           |         |       |       |          |   |   |   |                      |   |   |   |   |   |   |   |   |                     |   |   |   |   |   |   |   |   |               |     |     |     |     |     |     |     |     |                 |          |  |  |  |  |  |  |  |                      |  |   |  |   |   |   |   |   |     |     |
| <b>Default Value</b> | 0  | 0  | V: Variable based on factory calibration |                                 |          |     |     |     |  |  |  |                     |   |   |   |   |   |   |   |   |               |     |     |     |     |     |     |     |     |                 |           |         |       |       |          |   |   |   |                      |   |   |   |   |   |   |   |   |                     |   |   |   |   |   |   |   |   |               |     |     |     |     |     |     |     |     |                 |          |  |  |  |  |  |  |  |                      |  |   |  |   |   |   |   |   |     |     |
| 40                   | VOUT_OV_FAULT_LIMIT                      | <p>Sets the voltage level for an output overvoltage fault. Exponent is fixed at -10. Suggested value shown for 1.2Vo. Should be changed for different output voltage. Values can be 108%, 110%, 112% or 115% of output voltage</p> <table border="1"> <tr> <td><b>Format</b></td> <td colspan="8">Linear, two's complement binary</td> </tr> <tr> <td><b>Bit Position</b></td> <td>7</td><td>6</td><td>5</td><td>4</td><td>3</td><td>2</td><td>1</td><td>0</td> </tr> <tr> <td><b>Access</b></td> <td>r</td><td>r/w</td><td>r/w</td><td>r/w</td><td>r/w</td><td>r/w</td><td>r/w</td><td>r/w</td> </tr> <tr> <td><b>Function</b></td> <td colspan="8">High Byte</td> </tr> <tr> <td><b>Default Value</b></td> <td>0</td><td>0</td><td>0</td><td>0</td><td>0</td><td>1</td><td>0</td><td>1</td> </tr> <tr> <td><b>Bit Position</b></td> <td>7</td><td>6</td><td>5</td><td>4</td><td>3</td><td>2</td><td>1</td><td>0</td> </tr> <tr> <td><b>Access</b></td> <td>r/w</td><td>r/w</td><td>r/w</td><td>r/w</td><td>r/w</td><td>r/w</td><td>r/w</td><td>r/w</td> </tr> <tr> <td><b>Function</b></td> <td colspan="8">Low Byte</td> </tr> <tr> <td><b>Default Value</b></td> <td>0</td><td>1</td><td>1</td><td>0</td><td>0</td><td>0</td><td>0</td><td>0</td> </tr> </table> | <b>Format</b>                            | Linear, two's complement binary |          |     |     |     |  |  |  | <b>Bit Position</b> | 7 | 6 | 5 | 4 | 3 | 2 | 1 | 0 | <b>Access</b> | r   | r/w | r/w | r/w | r/w | r/w | r/w | r/w | <b>Function</b> | High Byte |         |       |       |          |   |   |   | <b>Default Value</b> | 0 | 0 | 0 | 0 | 0 | 1 | 0 | 1 | <b>Bit Position</b> | 7 | 6 | 5 | 4 | 3 | 2 | 1 | 0 | <b>Access</b> | r/w | r/w | r/w | r/w | r/w | r/w | r/w | r/w | <b>Function</b> | Low Byte |  |  |  |  |  |  |  | <b>Default Value</b> | 0  | 1 | 1  | 0 | 0 | 0 | 0 | 0 | YES |     |
| <b>Format</b>        | Linear, two's complement binary          |  |  |                                 |          |     |     |     |  |  |  |                     |   |   |   |   |   |   |   |   |               |     |     |     |     |     |     |     |     |                 |           |         |       |       |          |   |   |   |                      |   |   |   |   |   |   |   |   |                     |   |   |   |   |   |   |   |   |               |     |     |     |     |     |     |     |     |                 |          |  |  |  |  |  |  |  |                      |  |   |  |   |   |   |   |   |     |     |
| <b>Bit Position</b>  | 7  | 6  | 5  | 4                               | 3        | 2   | 1   | 0   |  |  |  |                     |   |   |   |   |   |   |   |   |               |     |     |     |     |     |     |     |     |                 |           |         |       |       |          |   |   |   |                      |   |   |   |   |   |   |   |   |                     |   |   |   |   |   |   |   |   |               |     |     |     |     |     |     |     |     |                 |          |  |  |  |  |  |  |  |                      |  |   |  |   |   |   |   |   |     |     |
| <b>Access</b>        | r  | r/w  | r/w                                      | r/w                             | r/w      | r/w | r/w | r/w |  |  |  |                     |   |   |   |   |   |   |   |   |               |     |     |     |     |     |     |     |     |                 |           |         |       |       |          |   |   |   |                      |   |   |   |   |   |   |   |   |                     |   |   |   |   |   |   |   |   |               |     |     |     |     |     |     |     |     |                 |          |  |  |  |  |  |  |  |                      |  |   |  |   |   |   |   |   |     |     |
| <b>Function</b>      | High Byte                                |  |  |                                 |          |     |     |     |  |  |  |                     |   |   |   |   |   |   |   |   |               |     |     |     |     |     |     |     |     |                 |           |         |       |       |          |   |   |   |                      |   |   |   |   |   |   |   |   |                     |   |   |   |   |   |   |   |   |               |     |     |     |     |     |     |     |     |                 |          |  |  |  |  |  |  |  |                      |  |   |  |   |   |   |   |   |     |     |
| <b>Default Value</b> | 0  | 0  | 0  | 0                               | 0        | 1   | 0   | 1   |  |  |  |                     |   |   |   |   |   |   |   |   |               |     |     |     |     |     |     |     |     |                 |           |         |       |       |          |   |   |   |                      |   |   |   |   |   |   |   |   |                     |   |   |   |   |   |   |   |   |               |     |     |     |     |     |     |     |     |                 |          |  |  |  |  |  |  |  |                      |  |   |  |   |   |   |   |   |     |     |
| <b>Bit Position</b>  | 7  | 6  | 5  | 4                               | 3        | 2   | 1   | 0   |  |  |  |                     |   |   |   |   |   |   |   |   |               |     |     |     |     |     |     |     |     |                 |           |         |       |       |          |   |   |   |                      |   |   |   |   |   |   |   |   |                     |   |   |   |   |   |   |   |   |               |     |     |     |     |     |     |     |     |                 |          |  |  |  |  |  |  |  |                      |  |   |  |   |   |   |   |   |     |     |
| <b>Access</b>        | r/w                                      | r/w  | r/w                                      | r/w                             | r/w      | r/w | r/w | r/w |  |  |  |                     |   |   |   |   |   |   |   |   |               |     |     |     |     |     |     |     |     |                 |           |         |       |       |          |   |   |   |                      |   |   |   |   |   |   |   |   |                     |   |   |   |   |   |   |   |   |               |     |     |     |     |     |     |     |     |                 |          |  |  |  |  |  |  |  |                      |  |   |  |   |   |   |   |   |     |     |
| <b>Function</b>      | Low Byte                                 |  |  |                                 |          |     |     |     |  |  |  |                     |   |   |   |   |   |   |   |   |               |     |     |     |     |     |     |     |     |                 |           |         |       |       |          |   |   |   |                      |   |   |   |   |   |   |   |   |                     |   |   |   |   |   |   |   |   |               |     |     |     |     |     |     |     |     |                 |          |  |  |  |  |  |  |  |                      |  |   |  |   |   |   |   |   |     |     |
| <b>Default Value</b> | 0  | 1  | 1  | 0                               | 0        | 0   | 0   | 0   |  |  |  |                     |   |   |   |   |   |   |   |   |               |     |     |     |     |     |     |     |     |                 |           |         |       |       |          |   |   |   |                      |   |   |   |   |   |   |   |   |                     |   |   |   |   |   |   |   |   |               |     |     |     |     |     |     |     |     |                 |          |  |  |  |  |  |  |  |                      |  |   |  |   |   |   |   |   |     |     |
| 41                   | VOUT_OV_FAULT_RESPONSE                   | <p>Instructs the module on what action to take in response to a output overvoltage fault</p> <table border="1"> <tr> <td><b>Format</b></td> <td colspan="8">Unsigned Binary</td> </tr> <tr> <td><b>Bit Position</b></td> <td>7</td><td>6</td><td>5</td><td>4</td><td>3</td><td>2</td><td>1</td><td>0</td> </tr> <tr> <td><b>Access</b></td> <td>r/w</td><td>r/w</td><td>r/w</td><td>r/w</td><td>r/w</td><td>r</td><td>r</td><td>r</td> </tr> <tr> <td><b>Function</b></td> <td>RSP [1]</td><td>RSP [0]</td><td>RS[2]</td><td>RS[1]</td><td>RS[0]</td><td>X</td><td>X</td><td>X</td> </tr> <tr> <td><b>Default Value</b></td> <td>1</td><td>1</td><td>1</td><td>1</td><td>1</td><td>1</td><td>0</td><td>0</td> </tr> </table>   | <b>Format</b>                            | Unsigned Binary                 |          |     |     |     |  |  |  | <b>Bit Position</b> | 7 | 6 | 5 | 4 | 3 | 2 | 1 | 0 | <b>Access</b> | r/w | r/w | r/w | r/w | r/w | r   | r   | r   | <b>Function</b> | RSP [1]   | RSP [0] | RS[2] | RS[1] | RS[0]    | X | X | X | <b>Default Value</b> | 1 | 1 | 1 | 1 | 1 | 1 | 0 | 0 | YES                 |   |   |   |   |   |   |   |   |               |     |     |     |     |     |     |     |     |                 |          |  |  |  |  |  |  |  |                      |  |   |  |   |   |   |   |   |     |     |
| <b>Format</b>        | Unsigned Binary                          |  |  |                                 |          |     |     |     |  |  |  |                     |   |   |   |   |   |   |   |   |               |     |     |     |     |     |     |     |     |                 |           |         |       |       |          |   |   |   |                      |   |   |   |   |   |   |   |   |                     |   |   |   |   |   |   |   |   |               |     |     |     |     |     |     |     |     |                 |          |  |  |  |  |  |  |  |                      |  |   |  |   |   |   |   |   |     |     |
| <b>Bit Position</b>  | 7  | 6  | 5  | 4                               | 3        | 2   | 1   | 0   |  |  |  |                     |   |   |   |   |   |   |   |   |               |     |     |     |     |     |     |     |     |                 |           |         |       |       |          |   |   |   |                      |   |   |   |   |   |   |   |   |                     |   |   |   |   |   |   |   |   |               |     |     |     |     |     |     |     |     |                 |          |  |  |  |  |  |  |  |                      |  |   |  |   |   |   |   |   |     |     |
| <b>Access</b>        | r/w                                      | r/w  | r/w                                      | r/w                             | r/w      | r   | r   | r   |  |  |  |                     |   |   |   |   |   |   |   |   |               |     |     |     |     |     |     |     |     |                 |           |         |       |       |          |   |   |   |                      |   |   |   |   |   |   |   |   |                     |   |   |   |   |   |   |   |   |               |     |     |     |     |     |     |     |     |                 |          |  |  |  |  |  |  |  |                      |  |   |  |   |   |   |   |   |     |     |
| <b>Function</b>      | RSP [1]                                  | RSP [0]  | RS[2]                                    | RS[1]                           | RS[0]    | X   | X   | X   |  |  |  |                     |   |   |   |   |   |   |   |   |               |     |     |     |     |     |     |     |     |                 |           |         |       |       |          |   |   |   |                      |   |   |   |   |   |   |   |   |                     |   |   |   |   |   |   |   |   |               |     |     |     |     |     |     |     |     |                 |          |  |  |  |  |  |  |  |                      |  |   |  |   |   |   |   |   |     |     |
| <b>Default Value</b> | 1  | 1  | 1  | 1                               | 1        | 1   | 0   | 0   |  |  |  |                     |   |   |   |   |   |   |   |   |               |     |     |     |     |     |     |     |     |                 |           |         |       |       |          |   |   |   |                      |   |   |   |   |   |   |   |   |                     |   |   |   |   |   |   |   |   |               |     |     |     |     |     |     |     |     |                 |          |  |  |  |  |  |  |  |                      |  |   |  |   |   |   |   |   |     |     |

3A Digital PicoDlynx™: Non-Isolated DC-DC Power Modules  
 3Vdc –14.4Vdc input; 0.45Vdc to 5.5Vdc output; 3A Output Current

Table 6 (continued)

| Hex Code             | Command                         | Brief Description   | Non-Volatile Memory Storage |                                 |          |     |     |     |  |  |  |                     |   |   |   |   |   |   |   |   |               |     |     |     |     |     |     |     |     |                 |           |         |       |       |          |   |   |   |                      |   |   |   |   |   |   |   |   |                     |   |   |   |   |   |   |   |   |               |     |     |     |     |     |     |     |     |                 |          |  |  |  |  |  |  |  |                      |   |   |   |   |   |   |   |   |     |
|----------------------|---------------------------------|---|-----------------------------|---------------------------------|----------|-----|-----|-----|--|--|--|---------------------|---|---|---|---|---|---|---|---|---------------|-----|-----|-----|-----|-----|-----|-----|-----|-----------------|-----------|---------|-------|-------|----------|---|---|---|----------------------|---|---|---|---|---|---|---|---|---------------------|---|---|---|---|---|---|---|---|---------------|-----|-----|-----|-----|-----|-----|-----|-----|-----------------|----------|--|--|--|--|--|--|--|----------------------|---|---|---|---|---|---|---|---|-----|
| 44                   | VOUT_UV_FAULT_LIMIT             | <p>Sets the voltage level for an output undervoltage fault. Exponent is fixed at -10. Suggested value shown for 1.2Vo. Should be changed for different output voltage. Values can be 92%, 90%, 88% or 85% of output voltage</p> <table border="1"> <tr> <td><b>Format</b></td> <td colspan="8">Linear, two's complement binary</td> </tr> <tr> <td><b>Bit Position</b></td> <td>7</td> <td>6</td> <td>5</td> <td>4</td> <td>3</td> <td>2</td> <td>1</td> <td>0</td> </tr> <tr> <td><b>Access</b></td> <td>r</td> <td>r/w</td> <td>r/w</td> <td>r/w</td> <td>r/w</td> <td>r/w</td> <td>r/w</td> <td>r/w</td> </tr> <tr> <td><b>Function</b></td> <td colspan="8">High Byte</td> </tr> <tr> <td><b>Default Value</b></td> <td>0</td> <td>0</td> <td>0</td> <td>0</td> <td>0</td> <td>1</td> <td>0</td> <td>0</td> </tr> <tr> <td><b>Bit Position</b></td> <td>7</td> <td>6</td> <td>5</td> <td>4</td> <td>3</td> <td>2</td> <td>1</td> <td>0</td> </tr> <tr> <td><b>Access</b></td> <td>r/w</td> <td>r/w</td> <td>r/w</td> <td>r/w</td> <td>r/w</td> <td>r/w</td> <td>r/w</td> <td>r/w</td> </tr> <tr> <td><b>Function</b></td> <td colspan="8">Low Byte</td> </tr> <tr> <td><b>Default Value</b></td> <td>0</td> <td>0</td> <td>1</td> <td>1</td> <td>1</td> <td>0</td> <td>0</td> <td>1</td> </tr> </table> | <b>Format</b>               | Linear, two's complement binary |          |     |     |     |  |  |  | <b>Bit Position</b> | 7 | 6 | 5 | 4 | 3 | 2 | 1 | 0 | <b>Access</b> | r   | r/w | r/w | r/w | r/w | r/w | r/w | r/w | <b>Function</b> | High Byte |         |       |       |          |   |   |   | <b>Default Value</b> | 0 | 0 | 0 | 0 | 0 | 1 | 0 | 0 | <b>Bit Position</b> | 7 | 6 | 5 | 4 | 3 | 2 | 1 | 0 | <b>Access</b> | r/w | r/w | r/w | r/w | r/w | r/w | r/w | r/w | <b>Function</b> | Low Byte |  |  |  |  |  |  |  | <b>Default Value</b> | 0 | 0 | 1 | 1 | 1 | 0 | 0 | 1 | YES |
| <b>Format</b>        | Linear, two's complement binary |   |                             |                                 |          |     |     |     |  |  |  |                     |   |   |   |   |   |   |   |   |               |     |     |     |     |     |     |     |     |                 |           |         |       |       |          |   |   |   |                      |   |   |   |   |   |   |   |   |                     |   |   |   |   |   |   |   |   |               |     |     |     |     |     |     |     |     |                 |          |  |  |  |  |  |  |  |                      |   |   |   |   |   |   |   |   |     |
| <b>Bit Position</b>  | 7                               | 6   | 5                           | 4                               | 3        | 2   | 1   | 0   |  |  |  |                     |   |   |   |   |   |   |   |   |               |     |     |     |     |     |     |     |     |                 |           |         |       |       |          |   |   |   |                      |   |   |   |   |   |   |   |   |                     |   |   |   |   |   |   |   |   |               |     |     |     |     |     |     |     |     |                 |          |  |  |  |  |  |  |  |                      |   |   |   |   |   |   |   |   |     |
| <b>Access</b>        | r                               | r/w   | r/w                         | r/w                             | r/w      | r/w | r/w | r/w |  |  |  |                     |   |   |   |   |   |   |   |   |               |     |     |     |     |     |     |     |     |                 |           |         |       |       |          |   |   |   |                      |   |   |   |   |   |   |   |   |                     |   |   |   |   |   |   |   |   |               |     |     |     |     |     |     |     |     |                 |          |  |  |  |  |  |  |  |                      |   |   |   |   |   |   |   |   |     |
| <b>Function</b>      | High Byte                       |   |                             |                                 |          |     |     |     |  |  |  |                     |   |   |   |   |   |   |   |   |               |     |     |     |     |     |     |     |     |                 |           |         |       |       |          |   |   |   |                      |   |   |   |   |   |   |   |   |                     |   |   |   |   |   |   |   |   |               |     |     |     |     |     |     |     |     |                 |          |  |  |  |  |  |  |  |                      |   |   |   |   |   |   |   |   |     |
| <b>Default Value</b> | 0                               | 0   | 0                           | 0                               | 0        | 1   | 0   | 0   |  |  |  |                     |   |   |   |   |   |   |   |   |               |     |     |     |     |     |     |     |     |                 |           |         |       |       |          |   |   |   |                      |   |   |   |   |   |   |   |   |                     |   |   |   |   |   |   |   |   |               |     |     |     |     |     |     |     |     |                 |          |  |  |  |  |  |  |  |                      |   |   |   |   |   |   |   |   |     |
| <b>Bit Position</b>  | 7                               | 6   | 5                           | 4                               | 3        | 2   | 1   | 0   |  |  |  |                     |   |   |   |   |   |   |   |   |               |     |     |     |     |     |     |     |     |                 |           |         |       |       |          |   |   |   |                      |   |   |   |   |   |   |   |   |                     |   |   |   |   |   |   |   |   |               |     |     |     |     |     |     |     |     |                 |          |  |  |  |  |  |  |  |                      |   |   |   |   |   |   |   |   |     |
| <b>Access</b>        | r/w                             | r/w   | r/w                         | r/w                             | r/w      | r/w | r/w | r/w |  |  |  |                     |   |   |   |   |   |   |   |   |               |     |     |     |     |     |     |     |     |                 |           |         |       |       |          |   |   |   |                      |   |   |   |   |   |   |   |   |                     |   |   |   |   |   |   |   |   |               |     |     |     |     |     |     |     |     |                 |          |  |  |  |  |  |  |  |                      |   |   |   |   |   |   |   |   |     |
| <b>Function</b>      | Low Byte                        |   |                             |                                 |          |     |     |     |  |  |  |                     |   |   |   |   |   |   |   |   |               |     |     |     |     |     |     |     |     |                 |           |         |       |       |          |   |   |   |                      |   |   |   |   |   |   |   |   |                     |   |   |   |   |   |   |   |   |               |     |     |     |     |     |     |     |     |                 |          |  |  |  |  |  |  |  |                      |   |   |   |   |   |   |   |   |     |
| <b>Default Value</b> | 0                               | 0   | 1                           | 1                               | 1        | 0   | 0   | 1   |  |  |  |                     |   |   |   |   |   |   |   |   |               |     |     |     |     |     |     |     |     |                 |           |         |       |       |          |   |   |   |                      |   |   |   |   |   |   |   |   |                     |   |   |   |   |   |   |   |   |               |     |     |     |     |     |     |     |     |                 |          |  |  |  |  |  |  |  |                      |   |   |   |   |   |   |   |   |     |
| 45                   | VOUT_UV_FAULT_RESPONSE          | <p>Instructs the module on what action to take in response to a output undervoltage fault</p> <table border="1"> <tr> <td><b>Format</b></td> <td colspan="8">Unsigned Binary</td> </tr> <tr> <td><b>Bit Position</b></td> <td>7</td> <td>6</td> <td>5</td> <td>4</td> <td>3</td> <td>2</td> <td>1</td> <td>0</td> </tr> <tr> <td><b>Access</b></td> <td>r/w</td> <td>r/w</td> <td>r/w</td> <td>r/w</td> <td>r/w</td> <td>r</td> <td>r</td> <td>r</td> </tr> <tr> <td><b>Function</b></td> <td>RSP [1]</td> <td>RSP [0]</td> <td>RS[2]</td> <td>RS[1]</td> <td>RS[0]</td> <td>X</td> <td>X</td> <td>X</td> </tr> <tr> <td><b>Default Value</b></td> <td>0</td> <td>0</td> <td>0</td> <td>0</td> <td>0</td> <td>1</td> <td>0</td> <td>0</td> </tr> </table>   | <b>Format</b>               | Unsigned Binary                 |          |     |     |     |  |  |  | <b>Bit Position</b> | 7 | 6 | 5 | 4 | 3 | 2 | 1 | 0 | <b>Access</b> | r/w | r/w | r/w | r/w | r/w | r   | r   | r   | <b>Function</b> | RSP [1]   | RSP [0] | RS[2] | RS[1] | RS[0]    | X | X | X | <b>Default Value</b> | 0 | 0 | 0 | 0 | 0 | 1 | 0 | 0 | YES                 |   |   |   |   |   |   |   |   |               |     |     |     |     |     |     |     |     |                 |          |  |  |  |  |  |  |  |                      |   |   |   |   |   |   |   |   |     |
| <b>Format</b>        | Unsigned Binary                 |   |                             |                                 |          |     |     |     |  |  |  |                     |   |   |   |   |   |   |   |   |               |     |     |     |     |     |     |     |     |                 |           |         |       |       |          |   |   |   |                      |   |   |   |   |   |   |   |   |                     |   |   |   |   |   |   |   |   |               |     |     |     |     |     |     |     |     |                 |          |  |  |  |  |  |  |  |                      |   |   |   |   |   |   |   |   |     |
| <b>Bit Position</b>  | 7                               | 6   | 5                           | 4                               | 3        | 2   | 1   | 0   |  |  |  |                     |   |   |   |   |   |   |   |   |               |     |     |     |     |     |     |     |     |                 |           |         |       |       |          |   |   |   |                      |   |   |   |   |   |   |   |   |                     |   |   |   |   |   |   |   |   |               |     |     |     |     |     |     |     |     |                 |          |  |  |  |  |  |  |  |                      |   |   |   |   |   |   |   |   |     |
| <b>Access</b>        | r/w                             | r/w   | r/w                         | r/w                             | r/w      | r   | r   | r   |  |  |  |                     |   |   |   |   |   |   |   |   |               |     |     |     |     |     |     |     |     |                 |           |         |       |       |          |   |   |   |                      |   |   |   |   |   |   |   |   |                     |   |   |   |   |   |   |   |   |               |     |     |     |     |     |     |     |     |                 |          |  |  |  |  |  |  |  |                      |   |   |   |   |   |   |   |   |     |
| <b>Function</b>      | RSP [1]                         | RSP [0]   | RS[2]                       | RS[1]                           | RS[0]    | X   | X   | X   |  |  |  |                     |   |   |   |   |   |   |   |   |               |     |     |     |     |     |     |     |     |                 |           |         |       |       |          |   |   |   |                      |   |   |   |   |   |   |   |   |                     |   |   |   |   |   |   |   |   |               |     |     |     |     |     |     |     |     |                 |          |  |  |  |  |  |  |  |                      |   |   |   |   |   |   |   |   |     |
| <b>Default Value</b> | 0                               | 0   | 0                           | 0                               | 0        | 1   | 0   | 0   |  |  |  |                     |   |   |   |   |   |   |   |   |               |     |     |     |     |     |     |     |     |                 |           |         |       |       |          |   |   |   |                      |   |   |   |   |   |   |   |   |                     |   |   |   |   |   |   |   |   |               |     |     |     |     |     |     |     |     |                 |          |  |  |  |  |  |  |  |                      |   |   |   |   |   |   |   |   |     |
| 46                   | IOUT_OC_FAULT_LIMIT             | <p>Sets the output overcurrent fault level in A (cannot be changed)</p> <table border="1"> <tr> <td><b>Format</b></td> <td colspan="8">Linear, two's complement binary</td> </tr> <tr> <td><b>Bit Position</b></td> <td>7</td> <td>6</td> <td>5</td> <td>4</td> <td>3</td> <td>2</td> <td>1</td> <td>0</td> </tr> <tr> <td><b>Access</b></td> <td>r</td> <td>r</td> <td>r</td> <td>r</td> <td>r</td> <td>r</td> <td>r</td> <td>r</td> </tr> <tr> <td><b>Function</b></td> <td colspan="4">Exponent</td> <td colspan="4">Mantissa</td> </tr> <tr> <td><b>Default Value</b></td> <td>1</td> <td>1</td> <td>1</td> <td>1</td> <td>1</td> <td>0</td> <td>0</td> <td>0</td> </tr> <tr> <td><b>Bit Position</b></td> <td>7</td> <td>6</td> <td>5</td> <td>4</td> <td>3</td> <td>2</td> <td>1</td> <td>0</td> </tr> <tr> <td><b>Access</b></td> <td>r</td> <td>r</td> <td>r</td> <td>r</td> <td>r</td> <td>r</td> <td>r</td> <td>R</td> </tr> <tr> <td><b>Function</b></td> <td colspan="8">Mantissa</td> </tr> <tr> <td><b>Default Value</b></td> <td>0</td> <td>0</td> <td>0</td> <td>0</td> <td>1</td> <td>0</td> <td>1</td> <td>1</td> </tr> </table>  | <b>Format</b>               | Linear, two's complement binary |          |     |     |     |  |  |  | <b>Bit Position</b> | 7 | 6 | 5 | 4 | 3 | 2 | 1 | 0 | <b>Access</b> | r   | r   | r   | r   | r   | r   | r   | r   | <b>Function</b> | Exponent  |         |       |       | Mantissa |   |   |   | <b>Default Value</b> | 1 | 1 | 1 | 1 | 1 | 0 | 0 | 0 | <b>Bit Position</b> | 7 | 6 | 5 | 4 | 3 | 2 | 1 | 0 | <b>Access</b> | r   | r   | r   | r   | r   | r   | r   | R   | <b>Function</b> | Mantissa |  |  |  |  |  |  |  | <b>Default Value</b> | 0 | 0 | 0 | 0 | 1 | 0 | 1 | 1 | YES |
| <b>Format</b>        | Linear, two's complement binary |   |                             |                                 |          |     |     |     |  |  |  |                     |   |   |   |   |   |   |   |   |               |     |     |     |     |     |     |     |     |                 |           |         |       |       |          |   |   |   |                      |   |   |   |   |   |   |   |   |                     |   |   |   |   |   |   |   |   |               |     |     |     |     |     |     |     |     |                 |          |  |  |  |  |  |  |  |                      |   |   |   |   |   |   |   |   |     |
| <b>Bit Position</b>  | 7                               | 6   | 5                           | 4                               | 3        | 2   | 1   | 0   |  |  |  |                     |   |   |   |   |   |   |   |   |               |     |     |     |     |     |     |     |     |                 |           |         |       |       |          |   |   |   |                      |   |   |   |   |   |   |   |   |                     |   |   |   |   |   |   |   |   |               |     |     |     |     |     |     |     |     |                 |          |  |  |  |  |  |  |  |                      |   |   |   |   |   |   |   |   |     |
| <b>Access</b>        | r                               | r   | r                           | r                               | r        | r   | r   | r   |  |  |  |                     |   |   |   |   |   |   |   |   |               |     |     |     |     |     |     |     |     |                 |           |         |       |       |          |   |   |   |                      |   |   |   |   |   |   |   |   |                     |   |   |   |   |   |   |   |   |               |     |     |     |     |     |     |     |     |                 |          |  |  |  |  |  |  |  |                      |   |   |   |   |   |   |   |   |     |
| <b>Function</b>      | Exponent                        |   |                             |                                 | Mantissa |     |     |     |  |  |  |                     |   |   |   |   |   |   |   |   |               |     |     |     |     |     |     |     |     |                 |           |         |       |       |          |   |   |   |                      |   |   |   |   |   |   |   |   |                     |   |   |   |   |   |   |   |   |               |     |     |     |     |     |     |     |     |                 |          |  |  |  |  |  |  |  |                      |   |   |   |   |   |   |   |   |     |
| <b>Default Value</b> | 1                               | 1   | 1                           | 1                               | 1        | 0   | 0   | 0   |  |  |  |                     |   |   |   |   |   |   |   |   |               |     |     |     |     |     |     |     |     |                 |           |         |       |       |          |   |   |   |                      |   |   |   |   |   |   |   |   |                     |   |   |   |   |   |   |   |   |               |     |     |     |     |     |     |     |     |                 |          |  |  |  |  |  |  |  |                      |   |   |   |   |   |   |   |   |     |
| <b>Bit Position</b>  | 7                               | 6   | 5                           | 4                               | 3        | 2   | 1   | 0   |  |  |  |                     |   |   |   |   |   |   |   |   |               |     |     |     |     |     |     |     |     |                 |           |         |       |       |          |   |   |   |                      |   |   |   |   |   |   |   |   |                     |   |   |   |   |   |   |   |   |               |     |     |     |     |     |     |     |     |                 |          |  |  |  |  |  |  |  |                      |   |   |   |   |   |   |   |   |     |
| <b>Access</b>        | r                               | r   | r                           | r                               | r        | r   | r   | R   |  |  |  |                     |   |   |   |   |   |   |   |   |               |     |     |     |     |     |     |     |     |                 |           |         |       |       |          |   |   |   |                      |   |   |   |   |   |   |   |   |                     |   |   |   |   |   |   |   |   |               |     |     |     |     |     |     |     |     |                 |          |  |  |  |  |  |  |  |                      |   |   |   |   |   |   |   |   |     |
| <b>Function</b>      | Mantissa                        |   |                             |                                 |          |     |     |     |  |  |  |                     |   |   |   |   |   |   |   |   |               |     |     |     |     |     |     |     |     |                 |           |         |       |       |          |   |   |   |                      |   |   |   |   |   |   |   |   |                     |   |   |   |   |   |   |   |   |               |     |     |     |     |     |     |     |     |                 |          |  |  |  |  |  |  |  |                      |   |   |   |   |   |   |   |   |     |
| <b>Default Value</b> | 0                               | 0   | 0                           | 0                               | 1        | 0   | 1   | 1   |  |  |  |                     |   |   |   |   |   |   |   |   |               |     |     |     |     |     |     |     |     |                 |           |         |       |       |          |   |   |   |                      |   |   |   |   |   |   |   |   |                     |   |   |   |   |   |   |   |   |               |     |     |     |     |     |     |     |     |                 |          |  |  |  |  |  |  |  |                      |   |   |   |   |   |   |   |   |     |
| 4A                   | IOUT_OC_WARN_LIMIT              | <p>Sets the output overcurrent warning level in A</p> <table border="1"> <tr> <td><b>Format</b></td> <td colspan="8">Linear, two's complement binary</td> </tr> <tr> <td><b>Bit Position</b></td> <td>7</td> <td>6</td> <td>5</td> <td>4</td> <td>3</td> <td>2</td> <td>1</td> <td>0</td> </tr> <tr> <td><b>Access</b></td> <td>r</td> <td>r</td> <td>r</td> <td>r</td> <td>r</td> <td>r</td> <td>r</td> <td>r</td> </tr> <tr> <td><b>Function</b></td> <td colspan="4">Exponent</td> <td colspan="4">Mantissa</td> </tr> <tr> <td><b>Default Value</b></td> <td>1</td> <td>1</td> <td>1</td> <td>1</td> <td>1</td> <td>0</td> <td>0</td> <td>0</td> </tr> <tr> <td><b>Bit Position</b></td> <td>7</td> <td>6</td> <td>5</td> <td>4</td> <td>3</td> <td>2</td> <td>1</td> <td>0</td> </tr> <tr> <td><b>Access</b></td> <td>r</td> <td>r</td> <td>r/w</td> <td>r/w</td> <td>r/w</td> <td>r/w</td> <td>r/w</td> <td>r/w</td> </tr> <tr> <td><b>Function</b></td> <td colspan="8">Mantissa</td> </tr> <tr> <td><b>Default Value</b></td> <td>0</td> <td>0</td> <td>0</td> <td>0</td> <td>1</td> <td>0</td> <td>1</td> <td>0</td> </tr> </table>  | <b>Format</b>               | Linear, two's complement binary |          |     |     |     |  |  |  | <b>Bit Position</b> | 7 | 6 | 5 | 4 | 3 | 2 | 1 | 0 | <b>Access</b> | r   | r   | r   | r   | r   | r   | r   | r   | <b>Function</b> | Exponent  |         |       |       | Mantissa |   |   |   | <b>Default Value</b> | 1 | 1 | 1 | 1 | 1 | 0 | 0 | 0 | <b>Bit Position</b> | 7 | 6 | 5 | 4 | 3 | 2 | 1 | 0 | <b>Access</b> | r   | r   | r/w | r/w | r/w | r/w | r/w | r/w | <b>Function</b> | Mantissa |  |  |  |  |  |  |  | <b>Default Value</b> | 0 | 0 | 0 | 0 | 1 | 0 | 1 | 0 | YES |
| <b>Format</b>        | Linear, two's complement binary |   |                             |                                 |          |     |     |     |  |  |  |                     |   |   |   |   |   |   |   |   |               |     |     |     |     |     |     |     |     |                 |           |         |       |       |          |   |   |   |                      |   |   |   |   |   |   |   |   |                     |   |   |   |   |   |   |   |   |               |     |     |     |     |     |     |     |     |                 |          |  |  |  |  |  |  |  |                      |   |   |   |   |   |   |   |   |     |
| <b>Bit Position</b>  | 7                               | 6   | 5                           | 4                               | 3        | 2   | 1   | 0   |  |  |  |                     |   |   |   |   |   |   |   |   |               |     |     |     |     |     |     |     |     |                 |           |         |       |       |          |   |   |   |                      |   |   |   |   |   |   |   |   |                     |   |   |   |   |   |   |   |   |               |     |     |     |     |     |     |     |     |                 |          |  |  |  |  |  |  |  |                      |   |   |   |   |   |   |   |   |     |
| <b>Access</b>        | r                               | r   | r                           | r                               | r        | r   | r   | r   |  |  |  |                     |   |   |   |   |   |   |   |   |               |     |     |     |     |     |     |     |     |                 |           |         |       |       |          |   |   |   |                      |   |   |   |   |   |   |   |   |                     |   |   |   |   |   |   |   |   |               |     |     |     |     |     |     |     |     |                 |          |  |  |  |  |  |  |  |                      |   |   |   |   |   |   |   |   |     |
| <b>Function</b>      | Exponent                        |   |                             |                                 | Mantissa |     |     |     |  |  |  |                     |   |   |   |   |   |   |   |   |               |     |     |     |     |     |     |     |     |                 |           |         |       |       |          |   |   |   |                      |   |   |   |   |   |   |   |   |                     |   |   |   |   |   |   |   |   |               |     |     |     |     |     |     |     |     |                 |          |  |  |  |  |  |  |  |                      |   |   |   |   |   |   |   |   |     |
| <b>Default Value</b> | 1                               | 1   | 1                           | 1                               | 1        | 0   | 0   | 0   |  |  |  |                     |   |   |   |   |   |   |   |   |               |     |     |     |     |     |     |     |     |                 |           |         |       |       |          |   |   |   |                      |   |   |   |   |   |   |   |   |                     |   |   |   |   |   |   |   |   |               |     |     |     |     |     |     |     |     |                 |          |  |  |  |  |  |  |  |                      |   |   |   |   |   |   |   |   |     |
| <b>Bit Position</b>  | 7                               | 6   | 5                           | 4                               | 3        | 2   | 1   | 0   |  |  |  |                     |   |   |   |   |   |   |   |   |               |     |     |     |     |     |     |     |     |                 |           |         |       |       |          |   |   |   |                      |   |   |   |   |   |   |   |   |                     |   |   |   |   |   |   |   |   |               |     |     |     |     |     |     |     |     |                 |          |  |  |  |  |  |  |  |                      |   |   |   |   |   |   |   |   |     |
| <b>Access</b>        | r                               | r   | r/w                         | r/w                             | r/w      | r/w | r/w | r/w |  |  |  |                     |   |   |   |   |   |   |   |   |               |     |     |     |     |     |     |     |     |                 |           |         |       |       |          |   |   |   |                      |   |   |   |   |   |   |   |   |                     |   |   |   |   |   |   |   |   |               |     |     |     |     |     |     |     |     |                 |          |  |  |  |  |  |  |  |                      |   |   |   |   |   |   |   |   |     |
| <b>Function</b>      | Mantissa                        |   |                             |                                 |          |     |     |     |  |  |  |                     |   |   |   |   |   |   |   |   |               |     |     |     |     |     |     |     |     |                 |           |         |       |       |          |   |   |   |                      |   |   |   |   |   |   |   |   |                     |   |   |   |   |   |   |   |   |               |     |     |     |     |     |     |     |     |                 |          |  |  |  |  |  |  |  |                      |   |   |   |   |   |   |   |   |     |
| <b>Default Value</b> | 0                               | 0   | 0                           | 0                               | 1        | 0   | 1   | 0   |  |  |  |                     |   |   |   |   |   |   |   |   |               |     |     |     |     |     |     |     |     |                 |           |         |       |       |          |   |   |   |                      |   |   |   |   |   |   |   |   |                     |   |   |   |   |   |   |   |   |               |     |     |     |     |     |     |     |     |                 |          |  |  |  |  |  |  |  |                      |   |   |   |   |   |   |   |   |     |
| 5E                   | POWER_GOOD_ON                   | <p>Sets the output voltage level at which the PGOOD pin is asserted high</p> <table border="1"> <tr> <td><b>Format</b></td> <td colspan="8">Linear, two's complement binary</td> </tr> <tr> <td><b>Bit Position</b></td> <td>7</td> <td>6</td> <td>5</td> <td>4</td> <td>3</td> <td>2</td> <td>1</td> <td>0</td> </tr> <tr> <td><b>Access</b></td> <td>r</td> <td>r/w</td> <td>r/w</td> <td>r/w</td> <td>r/w</td> <td>r/w</td> <td>r/w</td> <td>r/w</td> </tr> <tr> <td><b>Function</b></td> <td colspan="8">High Byte</td> </tr> <tr> <td><b>Default Value</b></td> <td>0</td> <td>0</td> <td>0</td> <td>0</td> <td>0</td> <td>1</td> <td>0</td> <td>0</td> </tr> <tr> <td><b>Bit Position</b></td> <td>7</td> <td>6</td> <td>5</td> <td>4</td> <td>3</td> <td>2</td> <td>1</td> <td>0</td> </tr> <tr> <td><b>Access</b></td> <td>r/w</td> <td>r/w</td> <td>r/w</td> <td>r/w</td> <td>r/w</td> <td>r/w</td> <td>r/w</td> <td>r/w</td> </tr> <tr> <td><b>Function</b></td> <td colspan="8">Low Byte</td> </tr> <tr> <td><b>Default Value</b></td> <td>0</td> <td>1</td> <td>1</td> <td>0</td> <td>1</td> <td>0</td> <td>1</td> <td>0</td> </tr> </table>  | <b>Format</b>               | Linear, two's complement binary |          |     |     |     |  |  |  | <b>Bit Position</b> | 7 | 6 | 5 | 4 | 3 | 2 | 1 | 0 | <b>Access</b> | r   | r/w | r/w | r/w | r/w | r/w | r/w | r/w | <b>Function</b> | High Byte |         |       |       |          |   |   |   | <b>Default Value</b> | 0 | 0 | 0 | 0 | 0 | 1 | 0 | 0 | <b>Bit Position</b> | 7 | 6 | 5 | 4 | 3 | 2 | 1 | 0 | <b>Access</b> | r/w | r/w | r/w | r/w | r/w | r/w | r/w | r/w | <b>Function</b> | Low Byte |  |  |  |  |  |  |  | <b>Default Value</b> | 0 | 1 | 1 | 0 | 1 | 0 | 1 | 0 | YES |
| <b>Format</b>        | Linear, two's complement binary |   |                             |                                 |          |     |     |     |  |  |  |                     |   |   |   |   |   |   |   |   |               |     |     |     |     |     |     |     |     |                 |           |         |       |       |          |   |   |   |                      |   |   |   |   |   |   |   |   |                     |   |   |   |   |   |   |   |   |               |     |     |     |     |     |     |     |     |                 |          |  |  |  |  |  |  |  |                      |   |   |   |   |   |   |   |   |     |
| <b>Bit Position</b>  | 7                               | 6   | 5                           | 4                               | 3        | 2   | 1   | 0   |  |  |  |                     |   |   |   |   |   |   |   |   |               |     |     |     |     |     |     |     |     |                 |           |         |       |       |          |   |   |   |                      |   |   |   |   |   |   |   |   |                     |   |   |   |   |   |   |   |   |               |     |     |     |     |     |     |     |     |                 |          |  |  |  |  |  |  |  |                      |   |   |   |   |   |   |   |   |     |
| <b>Access</b>        | r                               | r/w   | r/w                         | r/w                             | r/w      | r/w | r/w | r/w |  |  |  |                     |   |   |   |   |   |   |   |   |               |     |     |     |     |     |     |     |     |                 |           |         |       |       |          |   |   |   |                      |   |   |   |   |   |   |   |   |                     |   |   |   |   |   |   |   |   |               |     |     |     |     |     |     |     |     |                 |          |  |  |  |  |  |  |  |                      |   |   |   |   |   |   |   |   |     |
| <b>Function</b>      | High Byte                       |   |                             |                                 |          |     |     |     |  |  |  |                     |   |   |   |   |   |   |   |   |               |     |     |     |     |     |     |     |     |                 |           |         |       |       |          |   |   |   |                      |   |   |   |   |   |   |   |   |                     |   |   |   |   |   |   |   |   |               |     |     |     |     |     |     |     |     |                 |          |  |  |  |  |  |  |  |                      |   |   |   |   |   |   |   |   |     |
| <b>Default Value</b> | 0                               | 0   | 0                           | 0                               | 0        | 1   | 0   | 0   |  |  |  |                     |   |   |   |   |   |   |   |   |               |     |     |     |     |     |     |     |     |                 |           |         |       |       |          |   |   |   |                      |   |   |   |   |   |   |   |   |                     |   |   |   |   |   |   |   |   |               |     |     |     |     |     |     |     |     |                 |          |  |  |  |  |  |  |  |                      |   |   |   |   |   |   |   |   |     |
| <b>Bit Position</b>  | 7                               | 6   | 5                           | 4                               | 3        | 2   | 1   | 0   |  |  |  |                     |   |   |   |   |   |   |   |   |               |     |     |     |     |     |     |     |     |                 |           |         |       |       |          |   |   |   |                      |   |   |   |   |   |   |   |   |                     |   |   |   |   |   |   |   |   |               |     |     |     |     |     |     |     |     |                 |          |  |  |  |  |  |  |  |                      |   |   |   |   |   |   |   |   |     |
| <b>Access</b>        | r/w                             | r/w   | r/w                         | r/w                             | r/w      | r/w | r/w | r/w |  |  |  |                     |   |   |   |   |   |   |   |   |               |     |     |     |     |     |     |     |     |                 |           |         |       |       |          |   |   |   |                      |   |   |   |   |   |   |   |   |                     |   |   |   |   |   |   |   |   |               |     |     |     |     |     |     |     |     |                 |          |  |  |  |  |  |  |  |                      |   |   |   |   |   |   |   |   |     |
| <b>Function</b>      | Low Byte                        |   |                             |                                 |          |     |     |     |  |  |  |                     |   |   |   |   |   |   |   |   |               |     |     |     |     |     |     |     |     |                 |           |         |       |       |          |   |   |   |                      |   |   |   |   |   |   |   |   |                     |   |   |   |   |   |   |   |   |               |     |     |     |     |     |     |     |     |                 |          |  |  |  |  |  |  |  |                      |   |   |   |   |   |   |   |   |     |
| <b>Default Value</b> | 0                               | 1   | 1                           | 0                               | 1        | 0   | 1   | 0   |  |  |  |                     |   |   |   |   |   |   |   |   |               |     |     |     |     |     |     |     |     |                 |           |         |       |       |          |   |   |   |                      |   |   |   |   |   |   |   |   |                     |   |   |   |   |   |   |   |   |               |     |     |     |     |     |     |     |     |                 |          |  |  |  |  |  |  |  |                      |   |   |   |   |   |   |   |   |     |

3A Digital PicoDlynx™: Non-Isolated DC-DC Power Modules  
 3Vdc –14.4Vdc input; 0.45Vdc to 5.5Vdc output; 3A Output Current

Table 6 (continued)

| Hex Code             | Command                         | Brief Description  | Non-Volatile Memory Storage |                                 |          |      |     |        |  |  |  |                     |   |   |   |   |   |   |   |   |               |   |     |     |     |     |     |     |     |                 |           |         |              |         |          |      |     |        |                      |   |   |   |   |   |   |   |   |                     |   |   |   |   |   |   |   |   |               |     |     |     |     |     |     |     |     |                 |          |     |         |         |        |      |     |        |                      |   |   |   |   |   |   |   |   |     |
|----------------------|---------------------------------|--|-----------------------------|---------------------------------|----------|------|-----|--------|--|--|--|---------------------|---|---|---|---|---|---|---|---|---------------|---|-----|-----|-----|-----|-----|-----|-----|-----------------|-----------|---------|--------------|---------|----------|------|-----|--------|----------------------|---|---|---|---|---|---|---|---|---------------------|---|---|---|---|---|---|---|---|---------------|-----|-----|-----|-----|-----|-----|-----|-----|-----------------|----------|-----|---------|---------|--------|------|-----|--------|----------------------|---|---|---|---|---|---|---|---|-----|
| 5F                   | POWER_GOOD_OFF                  | <p>Sets the output voltage level at which the PGOOD pin is de-asserted low</p> <table border="1"> <tr> <td><b>Format</b></td> <td colspan="8">Linear, two's complement binary</td> </tr> <tr> <td><b>Bit Position</b></td> <td>7</td> <td>6</td> <td>5</td> <td>4</td> <td>3</td> <td>2</td> <td>1</td> <td>0</td> </tr> <tr> <td><b>Access</b></td> <td>r</td> <td>r/w</td> <td>r/w</td> <td>r/w</td> <td>r/w</td> <td>r/w</td> <td>r/w</td> <td>r/w</td> </tr> <tr> <td><b>Function</b></td> <td colspan="8">High Byte</td> </tr> <tr> <td><b>Default Value</b></td> <td>0</td> <td>0</td> <td>0</td> <td>0</td> <td>0</td> <td>1</td> <td>0</td> <td>0</td> </tr> <tr> <td><b>Bit Position</b></td> <td>7</td> <td>6</td> <td>5</td> <td>4</td> <td>3</td> <td>2</td> <td>1</td> <td>0</td> </tr> <tr> <td><b>Access</b></td> <td>r/w</td> <td>r/w</td> <td>r/w</td> <td>r/w</td> <td>r/w</td> <td>r/w</td> <td>r/w</td> <td>r/w</td> </tr> <tr> <td><b>Function</b></td> <td colspan="8">Low Byte</td> </tr> <tr> <td><b>Default Value</b></td> <td>0</td> <td>1</td> <td>0</td> <td>1</td> <td>0</td> <td>0</td> <td>1</td> <td>0</td> </tr> </table>   | <b>Format</b>               | Linear, two's complement binary |          |      |     |        |  |  |  | <b>Bit Position</b> | 7 | 6 | 5 | 4 | 3 | 2 | 1 | 0 | <b>Access</b> | r | r/w | r/w | r/w | r/w | r/w | r/w | r/w | <b>Function</b> | High Byte |         |              |         |          |      |     |        | <b>Default Value</b> | 0 | 0 | 0 | 0 | 0 | 1 | 0 | 0 | <b>Bit Position</b> | 7 | 6 | 5 | 4 | 3 | 2 | 1 | 0 | <b>Access</b> | r/w | r/w | r/w | r/w | r/w | r/w | r/w | r/w | <b>Function</b> | Low Byte |     |         |         |        |      |     |        | <b>Default Value</b> | 0 | 1 | 0 | 1 | 0 | 0 | 1 | 0 | YES |
| <b>Format</b>        | Linear, two's complement binary |  |                             |                                 |          |      |     |        |  |  |  |                     |   |   |   |   |   |   |   |   |               |   |     |     |     |     |     |     |     |                 |           |         |              |         |          |      |     |        |                      |   |   |   |   |   |   |   |   |                     |   |   |   |   |   |   |   |   |               |     |     |     |     |     |     |     |     |                 |          |     |         |         |        |      |     |        |                      |   |   |   |   |   |   |   |   |     |
| <b>Bit Position</b>  | 7                               | 6  | 5                           | 4                               | 3        | 2    | 1   | 0      |  |  |  |                     |   |   |   |   |   |   |   |   |               |   |     |     |     |     |     |     |     |                 |           |         |              |         |          |      |     |        |                      |   |   |   |   |   |   |   |   |                     |   |   |   |   |   |   |   |   |               |     |     |     |     |     |     |     |     |                 |          |     |         |         |        |      |     |        |                      |   |   |   |   |   |   |   |   |     |
| <b>Access</b>        | r                               | r/w  | r/w                         | r/w                             | r/w      | r/w  | r/w | r/w    |  |  |  |                     |   |   |   |   |   |   |   |   |               |   |     |     |     |     |     |     |     |                 |           |         |              |         |          |      |     |        |                      |   |   |   |   |   |   |   |   |                     |   |   |   |   |   |   |   |   |               |     |     |     |     |     |     |     |     |                 |          |     |         |         |        |      |     |        |                      |   |   |   |   |   |   |   |   |     |
| <b>Function</b>      | High Byte                       |  |                             |                                 |          |      |     |        |  |  |  |                     |   |   |   |   |   |   |   |   |               |   |     |     |     |     |     |     |     |                 |           |         |              |         |          |      |     |        |                      |   |   |   |   |   |   |   |   |                     |   |   |   |   |   |   |   |   |               |     |     |     |     |     |     |     |     |                 |          |     |         |         |        |      |     |        |                      |   |   |   |   |   |   |   |   |     |
| <b>Default Value</b> | 0                               | 0  | 0                           | 0                               | 0        | 1    | 0   | 0      |  |  |  |                     |   |   |   |   |   |   |   |   |               |   |     |     |     |     |     |     |     |                 |           |         |              |         |          |      |     |        |                      |   |   |   |   |   |   |   |   |                     |   |   |   |   |   |   |   |   |               |     |     |     |     |     |     |     |     |                 |          |     |         |         |        |      |     |        |                      |   |   |   |   |   |   |   |   |     |
| <b>Bit Position</b>  | 7                               | 6  | 5                           | 4                               | 3        | 2    | 1   | 0      |  |  |  |                     |   |   |   |   |   |   |   |   |               |   |     |     |     |     |     |     |     |                 |           |         |              |         |          |      |     |        |                      |   |   |   |   |   |   |   |   |                     |   |   |   |   |   |   |   |   |               |     |     |     |     |     |     |     |     |                 |          |     |         |         |        |      |     |        |                      |   |   |   |   |   |   |   |   |     |
| <b>Access</b>        | r/w                             | r/w  | r/w                         | r/w                             | r/w      | r/w  | r/w | r/w    |  |  |  |                     |   |   |   |   |   |   |   |   |               |   |     |     |     |     |     |     |     |                 |           |         |              |         |          |      |     |        |                      |   |   |   |   |   |   |   |   |                     |   |   |   |   |   |   |   |   |               |     |     |     |     |     |     |     |     |                 |          |     |         |         |        |      |     |        |                      |   |   |   |   |   |   |   |   |     |
| <b>Function</b>      | Low Byte                        |  |                             |                                 |          |      |     |        |  |  |  |                     |   |   |   |   |   |   |   |   |               |   |     |     |     |     |     |     |     |                 |           |         |              |         |          |      |     |        |                      |   |   |   |   |   |   |   |   |                     |   |   |   |   |   |   |   |   |               |     |     |     |     |     |     |     |     |                 |          |     |         |         |        |      |     |        |                      |   |   |   |   |   |   |   |   |     |
| <b>Default Value</b> | 0                               | 1  | 0                           | 1                               | 0        | 0    | 1   | 0      |  |  |  |                     |   |   |   |   |   |   |   |   |               |   |     |     |     |     |     |     |     |                 |           |         |              |         |          |      |     |        |                      |   |   |   |   |   |   |   |   |                     |   |   |   |   |   |   |   |   |               |     |     |     |     |     |     |     |     |                 |          |     |         |         |        |      |     |        |                      |   |   |   |   |   |   |   |   |     |
| 61                   | TON_RISE                        | <p>Sets the rise time of the output voltage during startup</p> <table border="1"> <tr> <td><b>Format</b></td> <td colspan="8">Linear, two's complement binary</td> </tr> <tr> <td><b>Bit Position</b></td> <td>7</td> <td>6</td> <td>5</td> <td>4</td> <td>3</td> <td>2</td> <td>1</td> <td>0</td> </tr> <tr> <td><b>Access</b></td> <td>r</td> <td>r</td> <td>r</td> <td>r</td> <td>r</td> <td>r</td> <td>r</td> <td>r/w</td> </tr> <tr> <td><b>Function</b></td> <td colspan="4">Exponent</td> <td colspan="4">Mantissa</td> </tr> <tr> <td><b>Default Value</b></td> <td>1</td> <td>1</td> <td>1</td> <td>0</td> <td>0</td> <td>0</td> <td>0</td> <td>0</td> </tr> <tr> <td><b>Bit Position</b></td> <td>7</td> <td>6</td> <td>5</td> <td>4</td> <td>3</td> <td>2</td> <td>1</td> <td>0</td> </tr> <tr> <td><b>Access</b></td> <td>r/w</td> <td>r/w</td> <td>r/w</td> <td>r/w</td> <td>r/w</td> <td>r/w</td> <td>r/w</td> <td>r/w</td> </tr> <tr> <td><b>Function</b></td> <td colspan="8">Mantissa</td> </tr> <tr> <td><b>Default Value</b></td> <td>0</td> <td>0</td> <td>1</td> <td>0</td> <td>1</td> <td>0</td> <td>1</td> <td>1</td> </tr> </table>  | <b>Format</b>               | Linear, two's complement binary |          |      |     |        |  |  |  | <b>Bit Position</b> | 7 | 6 | 5 | 4 | 3 | 2 | 1 | 0 | <b>Access</b> | r | r   | r   | r   | r   | r   | r   | r/w | <b>Function</b> | Exponent  |         |              |         | Mantissa |      |     |        | <b>Default Value</b> | 1 | 1 | 1 | 0 | 0 | 0 | 0 | 0 | <b>Bit Position</b> | 7 | 6 | 5 | 4 | 3 | 2 | 1 | 0 | <b>Access</b> | r/w | r/w | r/w | r/w | r/w | r/w | r/w | r/w | <b>Function</b> | Mantissa |     |         |         |        |      |     |        | <b>Default Value</b> | 0 | 0 | 1 | 0 | 1 | 0 | 1 | 1 | YES |
| <b>Format</b>        | Linear, two's complement binary |  |                             |                                 |          |      |     |        |  |  |  |                     |   |   |   |   |   |   |   |   |               |   |     |     |     |     |     |     |     |                 |           |         |              |         |          |      |     |        |                      |   |   |   |   |   |   |   |   |                     |   |   |   |   |   |   |   |   |               |     |     |     |     |     |     |     |     |                 |          |     |         |         |        |      |     |        |                      |   |   |   |   |   |   |   |   |     |
| <b>Bit Position</b>  | 7                               | 6  | 5                           | 4                               | 3        | 2    | 1   | 0      |  |  |  |                     |   |   |   |   |   |   |   |   |               |   |     |     |     |     |     |     |     |                 |           |         |              |         |          |      |     |        |                      |   |   |   |   |   |   |   |   |                     |   |   |   |   |   |   |   |   |               |     |     |     |     |     |     |     |     |                 |          |     |         |         |        |      |     |        |                      |   |   |   |   |   |   |   |   |     |
| <b>Access</b>        | r                               | r  | r                           | r                               | r        | r    | r   | r/w    |  |  |  |                     |   |   |   |   |   |   |   |   |               |   |     |     |     |     |     |     |     |                 |           |         |              |         |          |      |     |        |                      |   |   |   |   |   |   |   |   |                     |   |   |   |   |   |   |   |   |               |     |     |     |     |     |     |     |     |                 |          |     |         |         |        |      |     |        |                      |   |   |   |   |   |   |   |   |     |
| <b>Function</b>      | Exponent                        |  |                             |                                 | Mantissa |      |     |        |  |  |  |                     |   |   |   |   |   |   |   |   |               |   |     |     |     |     |     |     |     |                 |           |         |              |         |          |      |     |        |                      |   |   |   |   |   |   |   |   |                     |   |   |   |   |   |   |   |   |               |     |     |     |     |     |     |     |     |                 |          |     |         |         |        |      |     |        |                      |   |   |   |   |   |   |   |   |     |
| <b>Default Value</b> | 1                               | 1  | 1                           | 0                               | 0        | 0    | 0   | 0      |  |  |  |                     |   |   |   |   |   |   |   |   |               |   |     |     |     |     |     |     |     |                 |           |         |              |         |          |      |     |        |                      |   |   |   |   |   |   |   |   |                     |   |   |   |   |   |   |   |   |               |     |     |     |     |     |     |     |     |                 |          |     |         |         |        |      |     |        |                      |   |   |   |   |   |   |   |   |     |
| <b>Bit Position</b>  | 7                               | 6  | 5                           | 4                               | 3        | 2    | 1   | 0      |  |  |  |                     |   |   |   |   |   |   |   |   |               |   |     |     |     |     |     |     |     |                 |           |         |              |         |          |      |     |        |                      |   |   |   |   |   |   |   |   |                     |   |   |   |   |   |   |   |   |               |     |     |     |     |     |     |     |     |                 |          |     |         |         |        |      |     |        |                      |   |   |   |   |   |   |   |   |     |
| <b>Access</b>        | r/w                             | r/w  | r/w                         | r/w                             | r/w      | r/w  | r/w | r/w    |  |  |  |                     |   |   |   |   |   |   |   |   |               |   |     |     |     |     |     |     |     |                 |           |         |              |         |          |      |     |        |                      |   |   |   |   |   |   |   |   |                     |   |   |   |   |   |   |   |   |               |     |     |     |     |     |     |     |     |                 |          |     |         |         |        |      |     |        |                      |   |   |   |   |   |   |   |   |     |
| <b>Function</b>      | Mantissa                        |  |                             |                                 |          |      |     |        |  |  |  |                     |   |   |   |   |   |   |   |   |               |   |     |     |     |     |     |     |     |                 |           |         |              |         |          |      |     |        |                      |   |   |   |   |   |   |   |   |                     |   |   |   |   |   |   |   |   |               |     |     |     |     |     |     |     |     |                 |          |     |         |         |        |      |     |        |                      |   |   |   |   |   |   |   |   |     |
| <b>Default Value</b> | 0                               | 0  | 1                           | 0                               | 1        | 0    | 1   | 1      |  |  |  |                     |   |   |   |   |   |   |   |   |               |   |     |     |     |     |     |     |     |                 |           |         |              |         |          |      |     |        |                      |   |   |   |   |   |   |   |   |                     |   |   |   |   |   |   |   |   |               |     |     |     |     |     |     |     |     |                 |          |     |         |         |        |      |     |        |                      |   |   |   |   |   |   |   |   |     |
| 78                   | STATUS_BYTE                     | <p>Returns one byte of information with a summary of the most critical module faults</p> <table border="1"> <tr> <td><b>Format</b></td> <td colspan="8">Unsigned Binary</td> </tr> <tr> <td><b>Bit Position</b></td> <td>7</td> <td>6</td> <td>5</td> <td>4</td> <td>3</td> <td>2</td> <td>1</td> <td>0</td> </tr> <tr> <td><b>Access</b></td> <td>r</td> <td>r</td> <td>r</td> <td>r</td> <td>r</td> <td>r</td> <td>r</td> <td>r</td> </tr> <tr> <td><b>Flag</b></td> <td>X</td> <td>OFF</td> <td>VOUT_OV</td> <td>IOUT_OC</td> <td>VIN_UV</td> <td>TEMP</td> <td>CML</td> <td>OTHE R</td> </tr> <tr> <td><b>Default Value</b></td> <td>0</td> <td>0</td> <td>0</td> <td>0</td> <td>0</td> <td>0</td> <td>0</td> <td>0</td> </tr> </table>  | <b>Format</b>               | Unsigned Binary                 |          |      |     |        |  |  |  | <b>Bit Position</b> | 7 | 6 | 5 | 4 | 3 | 2 | 1 | 0 | <b>Access</b> | r | r   | r   | r   | r   | r   | r   | r   | <b>Flag</b>     | X         | OFF     | VOUT_OV      | IOUT_OC | VIN_UV   | TEMP | CML | OTHE R | <b>Default Value</b> | 0 | 0 | 0 | 0 | 0 | 0 | 0 | 0 |                     |   |   |   |   |   |   |   |   |               |     |     |     |     |     |     |     |     |                 |          |     |         |         |        |      |     |        |                      |   |   |   |   |   |   |   |   |     |
| <b>Format</b>        | Unsigned Binary                 |  |                             |                                 |          |      |     |        |  |  |  |                     |   |   |   |   |   |   |   |   |               |   |     |     |     |     |     |     |     |                 |           |         |              |         |          |      |     |        |                      |   |   |   |   |   |   |   |   |                     |   |   |   |   |   |   |   |   |               |     |     |     |     |     |     |     |     |                 |          |     |         |         |        |      |     |        |                      |   |   |   |   |   |   |   |   |     |
| <b>Bit Position</b>  | 7                               | 6  | 5                           | 4                               | 3        | 2    | 1   | 0      |  |  |  |                     |   |   |   |   |   |   |   |   |               |   |     |     |     |     |     |     |     |                 |           |         |              |         |          |      |     |        |                      |   |   |   |   |   |   |   |   |                     |   |   |   |   |   |   |   |   |               |     |     |     |     |     |     |     |     |                 |          |     |         |         |        |      |     |        |                      |   |   |   |   |   |   |   |   |     |
| <b>Access</b>        | r                               | r  | r                           | r                               | r        | r    | r   | r      |  |  |  |                     |   |   |   |   |   |   |   |   |               |   |     |     |     |     |     |     |     |                 |           |         |              |         |          |      |     |        |                      |   |   |   |   |   |   |   |   |                     |   |   |   |   |   |   |   |   |               |     |     |     |     |     |     |     |     |                 |          |     |         |         |        |      |     |        |                      |   |   |   |   |   |   |   |   |     |
| <b>Flag</b>          | X                               | OFF  | VOUT_OV                     | IOUT_OC                         | VIN_UV   | TEMP | CML | OTHE R |  |  |  |                     |   |   |   |   |   |   |   |   |               |   |     |     |     |     |     |     |     |                 |           |         |              |         |          |      |     |        |                      |   |   |   |   |   |   |   |   |                     |   |   |   |   |   |   |   |   |               |     |     |     |     |     |     |     |     |                 |          |     |         |         |        |      |     |        |                      |   |   |   |   |   |   |   |   |     |
| <b>Default Value</b> | 0                               | 0  | 0                           | 0                               | 0        | 0    | 0   | 0      |  |  |  |                     |   |   |   |   |   |   |   |   |               |   |     |     |     |     |     |     |     |                 |           |         |              |         |          |      |     |        |                      |   |   |   |   |   |   |   |   |                     |   |   |   |   |   |   |   |   |               |     |     |     |     |     |     |     |     |                 |          |     |         |         |        |      |     |        |                      |   |   |   |   |   |   |   |   |     |
| 79                   | STATUS_WORD                     | <p>Returns two bytes of information with a summary of the module's fault/warning conditions</p> <table border="1"> <tr> <td><b>Format</b></td> <td colspan="8">Unsigned Binary</td> </tr> <tr> <td><b>Bit Position</b></td> <td>7</td> <td>6</td> <td>5</td> <td>4</td> <td>3</td> <td>2</td> <td>1</td> <td>0</td> </tr> <tr> <td><b>Access</b></td> <td>r</td> <td>r</td> <td>r</td> <td>r</td> <td>r</td> <td>r</td> <td>r</td> <td>r</td> </tr> <tr> <td><b>Flag</b></td> <td>VOUT</td> <td>IOUT_OC</td> <td>X</td> <td>X</td> <td>PGOOD</td> <td>X</td> <td>X</td> <td>X</td> </tr> <tr> <td><b>Default Value</b></td> <td>0</td> <td>0</td> <td>0</td> <td>0</td> <td>0</td> <td>0</td> <td>0</td> <td>0</td> </tr> <tr> <td><b>Bit Position</b></td> <td>7</td> <td>6</td> <td>5</td> <td>4</td> <td>3</td> <td>2</td> <td>1</td> <td>0</td> </tr> <tr> <td><b>Access</b></td> <td>r</td> <td>r</td> <td>r</td> <td>r</td> <td>r</td> <td>r</td> <td>r</td> <td>r</td> </tr> <tr> <td><b>Flag</b></td> <td>X</td> <td>OFF</td> <td>VOUT_OV</td> <td>IOUT_OC</td> <td>VIN_UV</td> <td>TEMP</td> <td>CML</td> <td>OTHE R</td> </tr> <tr> <td><b>Default Value</b></td> <td>0</td> <td>0</td> <td>0</td> <td>0</td> <td>0</td> <td>0</td> <td>0</td> <td>0</td> </tr> </table> | <b>Format</b>               | Unsigned Binary                 |          |      |     |        |  |  |  | <b>Bit Position</b> | 7 | 6 | 5 | 4 | 3 | 2 | 1 | 0 | <b>Access</b> | r | r   | r   | r   | r   | r   | r   | r   | <b>Flag</b>     | VOUT      | IOUT_OC | X            | X       | PGOOD    | X    | X   | X      | <b>Default Value</b> | 0 | 0 | 0 | 0 | 0 | 0 | 0 | 0 | <b>Bit Position</b> | 7 | 6 | 5 | 4 | 3 | 2 | 1 | 0 | <b>Access</b> | r   | r   | r   | r   | r   | r   | r   | r   | <b>Flag</b>     | X        | OFF | VOUT_OV | IOUT_OC | VIN_UV | TEMP | CML | OTHE R | <b>Default Value</b> | 0 | 0 | 0 | 0 | 0 | 0 | 0 | 0 |     |
| <b>Format</b>        | Unsigned Binary                 |  |                             |                                 |          |      |     |        |  |  |  |                     |   |   |   |   |   |   |   |   |               |   |     |     |     |     |     |     |     |                 |           |         |              |         |          |      |     |        |                      |   |   |   |   |   |   |   |   |                     |   |   |   |   |   |   |   |   |               |     |     |     |     |     |     |     |     |                 |          |     |         |         |        |      |     |        |                      |   |   |   |   |   |   |   |   |     |
| <b>Bit Position</b>  | 7                               | 6  | 5                           | 4                               | 3        | 2    | 1   | 0      |  |  |  |                     |   |   |   |   |   |   |   |   |               |   |     |     |     |     |     |     |     |                 |           |         |              |         |          |      |     |        |                      |   |   |   |   |   |   |   |   |                     |   |   |   |   |   |   |   |   |               |     |     |     |     |     |     |     |     |                 |          |     |         |         |        |      |     |        |                      |   |   |   |   |   |   |   |   |     |
| <b>Access</b>        | r                               | r  | r                           | r                               | r        | r    | r   | r      |  |  |  |                     |   |   |   |   |   |   |   |   |               |   |     |     |     |     |     |     |     |                 |           |         |              |         |          |      |     |        |                      |   |   |   |   |   |   |   |   |                     |   |   |   |   |   |   |   |   |               |     |     |     |     |     |     |     |     |                 |          |     |         |         |        |      |     |        |                      |   |   |   |   |   |   |   |   |     |
| <b>Flag</b>          | VOUT                            | IOUT_OC  | X                           | X                               | PGOOD    | X    | X   | X      |  |  |  |                     |   |   |   |   |   |   |   |   |               |   |     |     |     |     |     |     |     |                 |           |         |              |         |          |      |     |        |                      |   |   |   |   |   |   |   |   |                     |   |   |   |   |   |   |   |   |               |     |     |     |     |     |     |     |     |                 |          |     |         |         |        |      |     |        |                      |   |   |   |   |   |   |   |   |     |
| <b>Default Value</b> | 0                               | 0  | 0                           | 0                               | 0        | 0    | 0   | 0      |  |  |  |                     |   |   |   |   |   |   |   |   |               |   |     |     |     |     |     |     |     |                 |           |         |              |         |          |      |     |        |                      |   |   |   |   |   |   |   |   |                     |   |   |   |   |   |   |   |   |               |     |     |     |     |     |     |     |     |                 |          |     |         |         |        |      |     |        |                      |   |   |   |   |   |   |   |   |     |
| <b>Bit Position</b>  | 7                               | 6  | 5                           | 4                               | 3        | 2    | 1   | 0      |  |  |  |                     |   |   |   |   |   |   |   |   |               |   |     |     |     |     |     |     |     |                 |           |         |              |         |          |      |     |        |                      |   |   |   |   |   |   |   |   |                     |   |   |   |   |   |   |   |   |               |     |     |     |     |     |     |     |     |                 |          |     |         |         |        |      |     |        |                      |   |   |   |   |   |   |   |   |     |
| <b>Access</b>        | r                               | r  | r                           | r                               | r        | r    | r   | r      |  |  |  |                     |   |   |   |   |   |   |   |   |               |   |     |     |     |     |     |     |     |                 |           |         |              |         |          |      |     |        |                      |   |   |   |   |   |   |   |   |                     |   |   |   |   |   |   |   |   |               |     |     |     |     |     |     |     |     |                 |          |     |         |         |        |      |     |        |                      |   |   |   |   |   |   |   |   |     |
| <b>Flag</b>          | X                               | OFF  | VOUT_OV                     | IOUT_OC                         | VIN_UV   | TEMP | CML | OTHE R |  |  |  |                     |   |   |   |   |   |   |   |   |               |   |     |     |     |     |     |     |     |                 |           |         |              |         |          |      |     |        |                      |   |   |   |   |   |   |   |   |                     |   |   |   |   |   |   |   |   |               |     |     |     |     |     |     |     |     |                 |          |     |         |         |        |      |     |        |                      |   |   |   |   |   |   |   |   |     |
| <b>Default Value</b> | 0                               | 0  | 0                           | 0                               | 0        | 0    | 0   | 0      |  |  |  |                     |   |   |   |   |   |   |   |   |               |   |     |     |     |     |     |     |     |                 |           |         |              |         |          |      |     |        |                      |   |   |   |   |   |   |   |   |                     |   |   |   |   |   |   |   |   |               |     |     |     |     |     |     |     |     |                 |          |     |         |         |        |      |     |        |                      |   |   |   |   |   |   |   |   |     |
| 7A                   | STATUS_VOUT                     | <p>Returns one byte of information with the status of the module's output voltage related faults</p> <table border="1"> <tr> <td><b>Format</b></td> <td colspan="8">Unsigned Binary</td> </tr> <tr> <td><b>Bit Position</b></td> <td>7</td> <td>6</td> <td>5</td> <td>4</td> <td>3</td> <td>2</td> <td>1</td> <td>0</td> </tr> <tr> <td><b>Access</b></td> <td>r</td> <td>r</td> <td>r</td> <td>r</td> <td>r</td> <td>r</td> <td>r</td> <td>r</td> </tr> <tr> <td><b>Flag</b></td> <td>VOUT_OV</td> <td>X</td> <td>X</td> <td>VOUT_UV</td> <td>X</td> <td>X</td> <td>X</td> <td>X</td> </tr> <tr> <td><b>Default Value</b></td> <td>0</td> <td>0</td> <td>0</td> <td>0</td> <td>0</td> <td>0</td> <td>0</td> <td>0</td> </tr> </table>   | <b>Format</b>               | Unsigned Binary                 |          |      |     |        |  |  |  | <b>Bit Position</b> | 7 | 6 | 5 | 4 | 3 | 2 | 1 | 0 | <b>Access</b> | r | r   | r   | r   | r   | r   | r   | r   | <b>Flag</b>     | VOUT_OV   | X       | X            | VOUT_UV | X        | X    | X   | X      | <b>Default Value</b> | 0 | 0 | 0 | 0 | 0 | 0 | 0 | 0 |                     |   |   |   |   |   |   |   |   |               |     |     |     |     |     |     |     |     |                 |          |     |         |         |        |      |     |        |                      |   |   |   |   |   |   |   |   |     |
| <b>Format</b>        | Unsigned Binary                 |  |                             |                                 |          |      |     |        |  |  |  |                     |   |   |   |   |   |   |   |   |               |   |     |     |     |     |     |     |     |                 |           |         |              |         |          |      |     |        |                      |   |   |   |   |   |   |   |   |                     |   |   |   |   |   |   |   |   |               |     |     |     |     |     |     |     |     |                 |          |     |         |         |        |      |     |        |                      |   |   |   |   |   |   |   |   |     |
| <b>Bit Position</b>  | 7                               | 6  | 5                           | 4                               | 3        | 2    | 1   | 0      |  |  |  |                     |   |   |   |   |   |   |   |   |               |   |     |     |     |     |     |     |     |                 |           |         |              |         |          |      |     |        |                      |   |   |   |   |   |   |   |   |                     |   |   |   |   |   |   |   |   |               |     |     |     |     |     |     |     |     |                 |          |     |         |         |        |      |     |        |                      |   |   |   |   |   |   |   |   |     |
| <b>Access</b>        | r                               | r  | r                           | r                               | r        | r    | r   | r      |  |  |  |                     |   |   |   |   |   |   |   |   |               |   |     |     |     |     |     |     |     |                 |           |         |              |         |          |      |     |        |                      |   |   |   |   |   |   |   |   |                     |   |   |   |   |   |   |   |   |               |     |     |     |     |     |     |     |     |                 |          |     |         |         |        |      |     |        |                      |   |   |   |   |   |   |   |   |     |
| <b>Flag</b>          | VOUT_OV                         | X  | X                           | VOUT_UV                         | X        | X    | X   | X      |  |  |  |                     |   |   |   |   |   |   |   |   |               |   |     |     |     |     |     |     |     |                 |           |         |              |         |          |      |     |        |                      |   |   |   |   |   |   |   |   |                     |   |   |   |   |   |   |   |   |               |     |     |     |     |     |     |     |     |                 |          |     |         |         |        |      |     |        |                      |   |   |   |   |   |   |   |   |     |
| <b>Default Value</b> | 0                               | 0  | 0                           | 0                               | 0        | 0    | 0   | 0      |  |  |  |                     |   |   |   |   |   |   |   |   |               |   |     |     |     |     |     |     |     |                 |           |         |              |         |          |      |     |        |                      |   |   |   |   |   |   |   |   |                     |   |   |   |   |   |   |   |   |               |     |     |     |     |     |     |     |     |                 |          |     |         |         |        |      |     |        |                      |   |   |   |   |   |   |   |   |     |
| 7B                   | STATUS_IOUT                     | <p>Returns one byte of information with the status of the module's output current related faults</p> <table border="1"> <tr> <td><b>Format</b></td> <td colspan="8">Unsigned Binary</td> </tr> <tr> <td><b>Bit Position</b></td> <td>7</td> <td>6</td> <td>5</td> <td>4</td> <td>3</td> <td>2</td> <td>1</td> <td>0</td> </tr> <tr> <td><b>Access</b></td> <td>r</td> <td>r</td> <td>r</td> <td>r</td> <td>r</td> <td>r</td> <td>r</td> <td>r</td> </tr> <tr> <td><b>Flag</b></td> <td>IOUT_OC</td> <td>X</td> <td>IOUT_OC_WARN</td> <td>X</td> <td>X</td> <td>X</td> <td>X</td> <td>X</td> </tr> <tr> <td><b>Default Value</b></td> <td>0</td> <td>0</td> <td>0</td> <td>0</td> <td>0</td> <td>0</td> <td>0</td> <td>0</td> </tr> </table>  | <b>Format</b>               | Unsigned Binary                 |          |      |     |        |  |  |  | <b>Bit Position</b> | 7 | 6 | 5 | 4 | 3 | 2 | 1 | 0 | <b>Access</b> | r | r   | r   | r   | r   | r   | r   | r   | <b>Flag</b>     | IOUT_OC   | X       | IOUT_OC_WARN | X       | X        | X    | X   | X      | <b>Default Value</b> | 0 | 0 | 0 | 0 | 0 | 0 | 0 | 0 |                     |   |   |   |   |   |   |   |   |               |     |     |     |     |     |     |     |     |                 |          |     |         |         |        |      |     |        |                      |   |   |   |   |   |   |   |   |     |
| <b>Format</b>        | Unsigned Binary                 |  |                             |                                 |          |      |     |        |  |  |  |                     |   |   |   |   |   |   |   |   |               |   |     |     |     |     |     |     |     |                 |           |         |              |         |          |      |     |        |                      |   |   |   |   |   |   |   |   |                     |   |   |   |   |   |   |   |   |               |     |     |     |     |     |     |     |     |                 |          |     |         |         |        |      |     |        |                      |   |   |   |   |   |   |   |   |     |
| <b>Bit Position</b>  | 7                               | 6  | 5                           | 4                               | 3        | 2    | 1   | 0      |  |  |  |                     |   |   |   |   |   |   |   |   |               |   |     |     |     |     |     |     |     |                 |           |         |              |         |          |      |     |        |                      |   |   |   |   |   |   |   |   |                     |   |   |   |   |   |   |   |   |               |     |     |     |     |     |     |     |     |                 |          |     |         |         |        |      |     |        |                      |   |   |   |   |   |   |   |   |     |
| <b>Access</b>        | r                               | r  | r                           | r                               | r        | r    | r   | r      |  |  |  |                     |   |   |   |   |   |   |   |   |               |   |     |     |     |     |     |     |     |                 |           |         |              |         |          |      |     |        |                      |   |   |   |   |   |   |   |   |                     |   |   |   |   |   |   |   |   |               |     |     |     |     |     |     |     |     |                 |          |     |         |         |        |      |     |        |                      |   |   |   |   |   |   |   |   |     |
| <b>Flag</b>          | IOUT_OC                         | X  | IOUT_OC_WARN                | X                               | X        | X    | X   | X      |  |  |  |                     |   |   |   |   |   |   |   |   |               |   |     |     |     |     |     |     |     |                 |           |         |              |         |          |      |     |        |                      |   |   |   |   |   |   |   |   |                     |   |   |   |   |   |   |   |   |               |     |     |     |     |     |     |     |     |                 |          |     |         |         |        |      |     |        |                      |   |   |   |   |   |   |   |   |     |
| <b>Default Value</b> | 0                               | 0  | 0                           | 0                               | 0        | 0    | 0   | 0      |  |  |  |                     |   |   |   |   |   |   |   |   |               |   |     |     |     |     |     |     |     |                 |           |         |              |         |          |      |     |        |                      |   |   |   |   |   |   |   |   |                     |   |   |   |   |   |   |   |   |               |     |     |     |     |     |     |     |     |                 |          |     |         |         |        |      |     |        |                      |   |   |   |   |   |   |   |   |     |

Table 6 (continued)

### 3A Digital PicoDLynx™: Non-Isolated DC-DC Power Modules

3Vdc –14.4Vdc input; 0.45Vdc to 5.5Vdc output; 3A Output Current

| Hex Code             | Command                         | Brief Description  | Non-Volatile Memory Storage |                                 |          |   |                  |   |  |  |  |                     |   |   |   |   |   |   |   |   |               |   |   |   |   |   |   |   |   |                      |                 |              |          |   |          |   |                  |   |                      |   |   |   |   |   |   |   |   |                     |   |   |   |   |   |   |   |   |               |   |   |   |   |   |   |   |   |                 |          |  |  |  |  |  |  |  |                      |   |   |   |   |   |   |   |   |  |
|----------------------|---------------------------------|--|-----------------------------|---------------------------------|----------|---|------------------|---|--|--|--|---------------------|---|---|---|---|---|---|---|---|---------------|---|---|---|---|---|---|---|---|----------------------|-----------------|--------------|----------|---|----------|---|------------------|---|----------------------|---|---|---|---|---|---|---|---|---------------------|---|---|---|---|---|---|---|---|---------------|---|---|---|---|---|---|---|---|-----------------|----------|--|--|--|--|--|--|--|----------------------|---|---|---|---|---|---|---|---|--|
| 7D                   | STATUS_TEMPERATURE              | <p>Returns one byte of information with the status of the module's temperature related faults</p> <table border="1"> <tr> <td><b>Format</b></td> <td colspan="8">Unsigned Binary</td> </tr> <tr> <td><b>Bit Position</b></td> <td>7</td> <td>6</td> <td>5</td> <td>4</td> <td>3</td> <td>2</td> <td>1</td> <td>0</td> </tr> <tr> <td><b>Access</b></td> <td>r</td> <td>r</td> <td>r</td> <td>r</td> <td>r</td> <td>r</td> <td>r</td> <td>R</td> </tr> <tr> <td><b>Flag</b></td> <td>OT_FAULT</td> <td>OT_WARN</td> <td>X</td> <td>X</td> <td>X</td> <td>X</td> <td>X</td> <td>X</td> </tr> <tr> <td><b>Default Value</b></td> <td>0</td> <td>0</td> <td>0</td> <td>0</td> <td>0</td> <td>0</td> <td>0</td> <td>0</td> </tr> </table>   | <b>Format</b>               | Unsigned Binary                 |          |   |                  |   |  |  |  | <b>Bit Position</b> | 7 | 6 | 5 | 4 | 3 | 2 | 1 | 0 | <b>Access</b> | r | r | r | r | r | r | r | R | <b>Flag</b>          | OT_FAULT        | OT_WARN      | X        | X | X        | X | X                | X | <b>Default Value</b> | 0 | 0 | 0 | 0 | 0 | 0 | 0 | 0 |                     |   |   |   |   |   |   |   |   |               |   |   |   |   |   |   |   |   |                 |          |  |  |  |  |  |  |  |                      |   |   |   |   |   |   |   |   |  |
| <b>Format</b>        | Unsigned Binary                 |  |                             |                                 |          |   |                  |   |  |  |  |                     |   |   |   |   |   |   |   |   |               |   |   |   |   |   |   |   |   |                      |                 |              |          |   |          |   |                  |   |                      |   |   |   |   |   |   |   |   |                     |   |   |   |   |   |   |   |   |               |   |   |   |   |   |   |   |   |                 |          |  |  |  |  |  |  |  |                      |   |   |   |   |   |   |   |   |  |
| <b>Bit Position</b>  | 7                               | 6  | 5                           | 4                               | 3        | 2 | 1                | 0 |  |  |  |                     |   |   |   |   |   |   |   |   |               |   |   |   |   |   |   |   |   |                      |                 |              |          |   |          |   |                  |   |                      |   |   |   |   |   |   |   |   |                     |   |   |   |   |   |   |   |   |               |   |   |   |   |   |   |   |   |                 |          |  |  |  |  |  |  |  |                      |   |   |   |   |   |   |   |   |  |
| <b>Access</b>        | r                               | r  | r                           | r                               | r        | r | r                | R |  |  |  |                     |   |   |   |   |   |   |   |   |               |   |   |   |   |   |   |   |   |                      |                 |              |          |   |          |   |                  |   |                      |   |   |   |   |   |   |   |   |                     |   |   |   |   |   |   |   |   |               |   |   |   |   |   |   |   |   |                 |          |  |  |  |  |  |  |  |                      |   |   |   |   |   |   |   |   |  |
| <b>Flag</b>          | OT_FAULT                        | OT_WARN  | X                           | X                               | X        | X | X                | X |  |  |  |                     |   |   |   |   |   |   |   |   |               |   |   |   |   |   |   |   |   |                      |                 |              |          |   |          |   |                  |   |                      |   |   |   |   |   |   |   |   |                     |   |   |   |   |   |   |   |   |               |   |   |   |   |   |   |   |   |                 |          |  |  |  |  |  |  |  |                      |   |   |   |   |   |   |   |   |  |
| <b>Default Value</b> | 0                               | 0  | 0                           | 0                               | 0        | 0 | 0                | 0 |  |  |  |                     |   |   |   |   |   |   |   |   |               |   |   |   |   |   |   |   |   |                      |                 |              |          |   |          |   |                  |   |                      |   |   |   |   |   |   |   |   |                     |   |   |   |   |   |   |   |   |               |   |   |   |   |   |   |   |   |                 |          |  |  |  |  |  |  |  |                      |   |   |   |   |   |   |   |   |  |
| 7E                   | STATUS_CML                      | <p>Returns one byte of information with the status of the module's communication related faults</p> <table border="1"> <tr> <td><b>Format</b></td> <td colspan="8">Unsigned Binary</td> </tr> <tr> <td><b>Bit Position</b></td> <td>7</td> <td>6</td> <td>5</td> <td>4</td> <td>3</td> <td>2</td> <td>1</td> <td>0</td> </tr> <tr> <td><b>Access</b></td> <td>r</td> <td>r</td> <td>r</td> <td>r</td> <td>r</td> <td>r</td> <td>r</td> <td>r</td> </tr> <tr> <td><b>Flag</b></td> <td>Invalid Command</td> <td>Invalid Data</td> <td>PEC Fail</td> <td>X</td> <td>X</td> <td>X</td> <td>Other Comm Fault</td> <td>X</td> </tr> <tr> <td><b>Default Value</b></td> <td>0</td> <td>0</td> <td>0</td> <td>0</td> <td>0</td> <td>0</td> <td>0</td> <td>0</td> </tr> </table>   | <b>Format</b>               | Unsigned Binary                 |          |   |                  |   |  |  |  | <b>Bit Position</b> | 7 | 6 | 5 | 4 | 3 | 2 | 1 | 0 | <b>Access</b> | r | r | r | r | r | r | r | r | <b>Flag</b>          | Invalid Command | Invalid Data | PEC Fail | X | X        | X | Other Comm Fault | X | <b>Default Value</b> | 0 | 0 | 0 | 0 | 0 | 0 | 0 | 0 |                     |   |   |   |   |   |   |   |   |               |   |   |   |   |   |   |   |   |                 |          |  |  |  |  |  |  |  |                      |   |   |   |   |   |   |   |   |  |
| <b>Format</b>        | Unsigned Binary                 |  |                             |                                 |          |   |                  |   |  |  |  |                     |   |   |   |   |   |   |   |   |               |   |   |   |   |   |   |   |   |                      |                 |              |          |   |          |   |                  |   |                      |   |   |   |   |   |   |   |   |                     |   |   |   |   |   |   |   |   |               |   |   |   |   |   |   |   |   |                 |          |  |  |  |  |  |  |  |                      |   |   |   |   |   |   |   |   |  |
| <b>Bit Position</b>  | 7                               | 6  | 5                           | 4                               | 3        | 2 | 1                | 0 |  |  |  |                     |   |   |   |   |   |   |   |   |               |   |   |   |   |   |   |   |   |                      |                 |              |          |   |          |   |                  |   |                      |   |   |   |   |   |   |   |   |                     |   |   |   |   |   |   |   |   |               |   |   |   |   |   |   |   |   |                 |          |  |  |  |  |  |  |  |                      |   |   |   |   |   |   |   |   |  |
| <b>Access</b>        | r                               | r  | r                           | r                               | r        | r | r                | r |  |  |  |                     |   |   |   |   |   |   |   |   |               |   |   |   |   |   |   |   |   |                      |                 |              |          |   |          |   |                  |   |                      |   |   |   |   |   |   |   |   |                     |   |   |   |   |   |   |   |   |               |   |   |   |   |   |   |   |   |                 |          |  |  |  |  |  |  |  |                      |   |   |   |   |   |   |   |   |  |
| <b>Flag</b>          | Invalid Command                 | Invalid Data   | PEC Fail                    | X                               | X        | X | Other Comm Fault | X |  |  |  |                     |   |   |   |   |   |   |   |   |               |   |   |   |   |   |   |   |   |                      |                 |              |          |   |          |   |                  |   |                      |   |   |   |   |   |   |   |   |                     |   |   |   |   |   |   |   |   |               |   |   |   |   |   |   |   |   |                 |          |  |  |  |  |  |  |  |                      |   |   |   |   |   |   |   |   |  |
| <b>Default Value</b> | 0                               | 0  | 0                           | 0                               | 0        | 0 | 0                | 0 |  |  |  |                     |   |   |   |   |   |   |   |   |               |   |   |   |   |   |   |   |   |                      |                 |              |          |   |          |   |                  |   |                      |   |   |   |   |   |   |   |   |                     |   |   |   |   |   |   |   |   |               |   |   |   |   |   |   |   |   |                 |          |  |  |  |  |  |  |  |                      |   |   |   |   |   |   |   |   |  |
| 88                   | READ_VIN                        | <p>Returns the value of the input voltage applied to the module</p> <table border="1"> <tr> <td><b>Format</b></td> <td colspan="8">Linear, two's complement binary</td> </tr> <tr> <td><b>Bit Position</b></td> <td>7</td> <td>6</td> <td>5</td> <td>4</td> <td>3</td> <td>2</td> <td>1</td> <td>0</td> </tr> <tr> <td><b>Access</b></td> <td>r</td> <td>r</td> <td>r</td> <td>r</td> <td>r</td> <td>r</td> <td>r</td> <td>r</td> </tr> <tr> <td><b>Function</b></td> <td colspan="4">Exponent</td> <td colspan="4">Mantissa</td> </tr> <tr> <td><b>Default Value</b></td> <td>1</td> <td>1</td> <td>0</td> <td>1</td> <td>1</td> <td>0</td> <td>0</td> <td>0</td> </tr> <tr> <td><b>Bit Position</b></td> <td>7</td> <td>6</td> <td>5</td> <td>4</td> <td>3</td> <td>2</td> <td>1</td> <td>0</td> </tr> <tr> <td><b>Access</b></td> <td>r</td> <td>r</td> <td>r</td> <td>r</td> <td>r</td> <td>r</td> <td>r</td> <td>r</td> </tr> <tr> <td><b>Function</b></td> <td colspan="8">Mantissa</td> </tr> <tr> <td><b>Default Value</b></td> <td>0</td> <td>0</td> <td>0</td> <td>0</td> <td>0</td> <td>0</td> <td>0</td> <td>0</td> </tr> </table> | <b>Format</b>               | Linear, two's complement binary |          |   |                  |   |  |  |  | <b>Bit Position</b> | 7 | 6 | 5 | 4 | 3 | 2 | 1 | 0 | <b>Access</b> | r | r | r | r | r | r | r | r | <b>Function</b>      | Exponent        |              |          |   | Mantissa |   |                  |   | <b>Default Value</b> | 1 | 1 | 0 | 1 | 1 | 0 | 0 | 0 | <b>Bit Position</b> | 7 | 6 | 5 | 4 | 3 | 2 | 1 | 0 | <b>Access</b> | r | r | r | r | r | r | r | r | <b>Function</b> | Mantissa |  |  |  |  |  |  |  | <b>Default Value</b> | 0 | 0 | 0 | 0 | 0 | 0 | 0 | 0 |  |
| <b>Format</b>        | Linear, two's complement binary |  |                             |                                 |          |   |                  |   |  |  |  |                     |   |   |   |   |   |   |   |   |               |   |   |   |   |   |   |   |   |                      |                 |              |          |   |          |   |                  |   |                      |   |   |   |   |   |   |   |   |                     |   |   |   |   |   |   |   |   |               |   |   |   |   |   |   |   |   |                 |          |  |  |  |  |  |  |  |                      |   |   |   |   |   |   |   |   |  |
| <b>Bit Position</b>  | 7                               | 6  | 5                           | 4                               | 3        | 2 | 1                | 0 |  |  |  |                     |   |   |   |   |   |   |   |   |               |   |   |   |   |   |   |   |   |                      |                 |              |          |   |          |   |                  |   |                      |   |   |   |   |   |   |   |   |                     |   |   |   |   |   |   |   |   |               |   |   |   |   |   |   |   |   |                 |          |  |  |  |  |  |  |  |                      |   |   |   |   |   |   |   |   |  |
| <b>Access</b>        | r                               | r  | r                           | r                               | r        | r | r                | r |  |  |  |                     |   |   |   |   |   |   |   |   |               |   |   |   |   |   |   |   |   |                      |                 |              |          |   |          |   |                  |   |                      |   |   |   |   |   |   |   |   |                     |   |   |   |   |   |   |   |   |               |   |   |   |   |   |   |   |   |                 |          |  |  |  |  |  |  |  |                      |   |   |   |   |   |   |   |   |  |
| <b>Function</b>      | Exponent                        |  |                             |                                 | Mantissa |   |                  |   |  |  |  |                     |   |   |   |   |   |   |   |   |               |   |   |   |   |   |   |   |   |                      |                 |              |          |   |          |   |                  |   |                      |   |   |   |   |   |   |   |   |                     |   |   |   |   |   |   |   |   |               |   |   |   |   |   |   |   |   |                 |          |  |  |  |  |  |  |  |                      |   |   |   |   |   |   |   |   |  |
| <b>Default Value</b> | 1                               | 1  | 0                           | 1                               | 1        | 0 | 0                | 0 |  |  |  |                     |   |   |   |   |   |   |   |   |               |   |   |   |   |   |   |   |   |                      |                 |              |          |   |          |   |                  |   |                      |   |   |   |   |   |   |   |   |                     |   |   |   |   |   |   |   |   |               |   |   |   |   |   |   |   |   |                 |          |  |  |  |  |  |  |  |                      |   |   |   |   |   |   |   |   |  |
| <b>Bit Position</b>  | 7                               | 6  | 5                           | 4                               | 3        | 2 | 1                | 0 |  |  |  |                     |   |   |   |   |   |   |   |   |               |   |   |   |   |   |   |   |   |                      |                 |              |          |   |          |   |                  |   |                      |   |   |   |   |   |   |   |   |                     |   |   |   |   |   |   |   |   |               |   |   |   |   |   |   |   |   |                 |          |  |  |  |  |  |  |  |                      |   |   |   |   |   |   |   |   |  |
| <b>Access</b>        | r                               | r  | r                           | r                               | r        | r | r                | r |  |  |  |                     |   |   |   |   |   |   |   |   |               |   |   |   |   |   |   |   |   |                      |                 |              |          |   |          |   |                  |   |                      |   |   |   |   |   |   |   |   |                     |   |   |   |   |   |   |   |   |               |   |   |   |   |   |   |   |   |                 |          |  |  |  |  |  |  |  |                      |   |   |   |   |   |   |   |   |  |
| <b>Function</b>      | Mantissa                        |  |                             |                                 |          |   |                  |   |  |  |  |                     |   |   |   |   |   |   |   |   |               |   |   |   |   |   |   |   |   |                      |                 |              |          |   |          |   |                  |   |                      |   |   |   |   |   |   |   |   |                     |   |   |   |   |   |   |   |   |               |   |   |   |   |   |   |   |   |                 |          |  |  |  |  |  |  |  |                      |   |   |   |   |   |   |   |   |  |
| <b>Default Value</b> | 0                               | 0  | 0                           | 0                               | 0        | 0 | 0                | 0 |  |  |  |                     |   |   |   |   |   |   |   |   |               |   |   |   |   |   |   |   |   |                      |                 |              |          |   |          |   |                  |   |                      |   |   |   |   |   |   |   |   |                     |   |   |   |   |   |   |   |   |               |   |   |   |   |   |   |   |   |                 |          |  |  |  |  |  |  |  |                      |   |   |   |   |   |   |   |   |  |
| 8B                   | READ_VOUT                       | <p>Returns the value of the output voltage of the module</p> <table border="1"> <tr> <td><b>Format</b></td> <td colspan="8">Linear, two's complement binary</td> </tr> <tr> <td><b>Bit Position</b></td> <td>7</td> <td>6</td> <td>5</td> <td>4</td> <td>3</td> <td>2</td> <td>1</td> <td>0</td> </tr> <tr> <td><b>Access</b></td> <td>r</td> <td>r</td> <td>r</td> <td>r</td> <td>r</td> <td>r</td> <td>r</td> <td>r</td> </tr> <tr> <td><b>Function</b></td> <td colspan="8">Mantissa</td> </tr> <tr> <td><b>Default Value</b></td> <td>0</td> <td>0</td> <td>0</td> <td>0</td> <td>0</td> <td>0</td> <td>0</td> <td>0</td> </tr> <tr> <td><b>Bit Position</b></td> <td>7</td> <td>6</td> <td>5</td> <td>4</td> <td>3</td> <td>2</td> <td>1</td> <td>0</td> </tr> <tr> <td><b>Access</b></td> <td>r</td> <td>r</td> <td>r</td> <td>r</td> <td>r</td> <td>r</td> <td>r</td> <td>r</td> </tr> <tr> <td><b>Function</b></td> <td colspan="8">Mantissa</td> </tr> <tr> <td><b>Default Value</b></td> <td>0</td> <td>0</td> <td>0</td> <td>0</td> <td>0</td> <td>0</td> <td>0</td> <td>0</td> </tr> </table>                                      | <b>Format</b>               | Linear, two's complement binary |          |   |                  |   |  |  |  | <b>Bit Position</b> | 7 | 6 | 5 | 4 | 3 | 2 | 1 | 0 | <b>Access</b> | r | r | r | r | r | r | r | r | <b>Function</b>      | Mantissa        |              |          |   |          |   |                  |   | <b>Default Value</b> | 0 | 0 | 0 | 0 | 0 | 0 | 0 | 0 | <b>Bit Position</b> | 7 | 6 | 5 | 4 | 3 | 2 | 1 | 0 | <b>Access</b> | r | r | r | r | r | r | r | r | <b>Function</b> | Mantissa |  |  |  |  |  |  |  | <b>Default Value</b> | 0 | 0 | 0 | 0 | 0 | 0 | 0 | 0 |  |
| <b>Format</b>        | Linear, two's complement binary |  |                             |                                 |          |   |                  |   |  |  |  |                     |   |   |   |   |   |   |   |   |               |   |   |   |   |   |   |   |   |                      |                 |              |          |   |          |   |                  |   |                      |   |   |   |   |   |   |   |   |                     |   |   |   |   |   |   |   |   |               |   |   |   |   |   |   |   |   |                 |          |  |  |  |  |  |  |  |                      |   |   |   |   |   |   |   |   |  |
| <b>Bit Position</b>  | 7                               | 6  | 5                           | 4                               | 3        | 2 | 1                | 0 |  |  |  |                     |   |   |   |   |   |   |   |   |               |   |   |   |   |   |   |   |   |                      |                 |              |          |   |          |   |                  |   |                      |   |   |   |   |   |   |   |   |                     |   |   |   |   |   |   |   |   |               |   |   |   |   |   |   |   |   |                 |          |  |  |  |  |  |  |  |                      |   |   |   |   |   |   |   |   |  |
| <b>Access</b>        | r                               | r  | r                           | r                               | r        | r | r                | r |  |  |  |                     |   |   |   |   |   |   |   |   |               |   |   |   |   |   |   |   |   |                      |                 |              |          |   |          |   |                  |   |                      |   |   |   |   |   |   |   |   |                     |   |   |   |   |   |   |   |   |               |   |   |   |   |   |   |   |   |                 |          |  |  |  |  |  |  |  |                      |   |   |   |   |   |   |   |   |  |
| <b>Function</b>      | Mantissa                        |  |                             |                                 |          |   |                  |   |  |  |  |                     |   |   |   |   |   |   |   |   |               |   |   |   |   |   |   |   |   |                      |                 |              |          |   |          |   |                  |   |                      |   |   |   |   |   |   |   |   |                     |   |   |   |   |   |   |   |   |               |   |   |   |   |   |   |   |   |                 |          |  |  |  |  |  |  |  |                      |   |   |   |   |   |   |   |   |  |
| <b>Default Value</b> | 0                               | 0  | 0                           | 0                               | 0        | 0 | 0                | 0 |  |  |  |                     |   |   |   |   |   |   |   |   |               |   |   |   |   |   |   |   |   |                      |                 |              |          |   |          |   |                  |   |                      |   |   |   |   |   |   |   |   |                     |   |   |   |   |   |   |   |   |               |   |   |   |   |   |   |   |   |                 |          |  |  |  |  |  |  |  |                      |   |   |   |   |   |   |   |   |  |
| <b>Bit Position</b>  | 7                               | 6  | 5                           | 4                               | 3        | 2 | 1                | 0 |  |  |  |                     |   |   |   |   |   |   |   |   |               |   |   |   |   |   |   |   |   |                      |                 |              |          |   |          |   |                  |   |                      |   |   |   |   |   |   |   |   |                     |   |   |   |   |   |   |   |   |               |   |   |   |   |   |   |   |   |                 |          |  |  |  |  |  |  |  |                      |   |   |   |   |   |   |   |   |  |
| <b>Access</b>        | r                               | r  | r                           | r                               | r        | r | r                | r |  |  |  |                     |   |   |   |   |   |   |   |   |               |   |   |   |   |   |   |   |   |                      |                 |              |          |   |          |   |                  |   |                      |   |   |   |   |   |   |   |   |                     |   |   |   |   |   |   |   |   |               |   |   |   |   |   |   |   |   |                 |          |  |  |  |  |  |  |  |                      |   |   |   |   |   |   |   |   |  |
| <b>Function</b>      | Mantissa                        |  |                             |                                 |          |   |                  |   |  |  |  |                     |   |   |   |   |   |   |   |   |               |   |   |   |   |   |   |   |   |                      |                 |              |          |   |          |   |                  |   |                      |   |   |   |   |   |   |   |   |                     |   |   |   |   |   |   |   |   |               |   |   |   |   |   |   |   |   |                 |          |  |  |  |  |  |  |  |                      |   |   |   |   |   |   |   |   |  |
| <b>Default Value</b> | 0                               | 0  | 0                           | 0                               | 0        | 0 | 0                | 0 |  |  |  |                     |   |   |   |   |   |   |   |   |               |   |   |   |   |   |   |   |   |                      |                 |              |          |   |          |   |                  |   |                      |   |   |   |   |   |   |   |   |                     |   |   |   |   |   |   |   |   |               |   |   |   |   |   |   |   |   |                 |          |  |  |  |  |  |  |  |                      |   |   |   |   |   |   |   |   |  |
| 8C                   | READ_IOUT                       | <p>Returns the value of the output current of the module</p> <table border="1"> <tr> <td><b>Format</b></td> <td colspan="8">Linear, two's complement binary</td> </tr> <tr> <td><b>Bit Position</b></td> <td>7</td> <td>6</td> <td>5</td> <td>4</td> <td>3</td> <td>2</td> <td>1</td> <td>0</td> </tr> <tr> <td><b>Access</b></td> <td>r</td> <td>r</td> <td>r</td> <td>r</td> <td>r</td> <td>r</td> <td>r</td> <td>r</td> </tr> <tr> <td><b>Function</b></td> <td colspan="4">Exponent</td> <td colspan="4">Mantissa</td> </tr> <tr> <td><b>Default Value</b></td> <td>1</td> <td>1</td> <td>1</td> <td>0</td> <td>0</td> <td>0</td> <td>0</td> <td>0</td> </tr> <tr> <td><b>Bit Position</b></td> <td>7</td> <td>6</td> <td>5</td> <td>4</td> <td>3</td> <td>2</td> <td>1</td> <td>0</td> </tr> <tr> <td><b>Access</b></td> <td>r</td> <td>r</td> <td>r</td> <td>r</td> <td>r</td> <td>r</td> <td>r</td> <td>r</td> </tr> <tr> <td><b>Function</b></td> <td colspan="8">Mantissa</td> </tr> <tr> <td><b>Default Value</b></td> <td>0</td> <td>0</td> <td>0</td> <td>0</td> <td>0</td> <td>0</td> <td>0</td> <td>0</td> </tr> </table>        | <b>Format</b>               | Linear, two's complement binary |          |   |                  |   |  |  |  | <b>Bit Position</b> | 7 | 6 | 5 | 4 | 3 | 2 | 1 | 0 | <b>Access</b> | r | r | r | r | r | r | r | r | <b>Function</b>      | Exponent        |              |          |   | Mantissa |   |                  |   | <b>Default Value</b> | 1 | 1 | 1 | 0 | 0 | 0 | 0 | 0 | <b>Bit Position</b> | 7 | 6 | 5 | 4 | 3 | 2 | 1 | 0 | <b>Access</b> | r | r | r | r | r | r | r | r | <b>Function</b> | Mantissa |  |  |  |  |  |  |  | <b>Default Value</b> | 0 | 0 | 0 | 0 | 0 | 0 | 0 | 0 |  |
| <b>Format</b>        | Linear, two's complement binary |  |                             |                                 |          |   |                  |   |  |  |  |                     |   |   |   |   |   |   |   |   |               |   |   |   |   |   |   |   |   |                      |                 |              |          |   |          |   |                  |   |                      |   |   |   |   |   |   |   |   |                     |   |   |   |   |   |   |   |   |               |   |   |   |   |   |   |   |   |                 |          |  |  |  |  |  |  |  |                      |   |   |   |   |   |   |   |   |  |
| <b>Bit Position</b>  | 7                               | 6  | 5                           | 4                               | 3        | 2 | 1                | 0 |  |  |  |                     |   |   |   |   |   |   |   |   |               |   |   |   |   |   |   |   |   |                      |                 |              |          |   |          |   |                  |   |                      |   |   |   |   |   |   |   |   |                     |   |   |   |   |   |   |   |   |               |   |   |   |   |   |   |   |   |                 |          |  |  |  |  |  |  |  |                      |   |   |   |   |   |   |   |   |  |
| <b>Access</b>        | r                               | r  | r                           | r                               | r        | r | r                | r |  |  |  |                     |   |   |   |   |   |   |   |   |               |   |   |   |   |   |   |   |   |                      |                 |              |          |   |          |   |                  |   |                      |   |   |   |   |   |   |   |   |                     |   |   |   |   |   |   |   |   |               |   |   |   |   |   |   |   |   |                 |          |  |  |  |  |  |  |  |                      |   |   |   |   |   |   |   |   |  |
| <b>Function</b>      | Exponent                        |  |                             |                                 | Mantissa |   |                  |   |  |  |  |                     |   |   |   |   |   |   |   |   |               |   |   |   |   |   |   |   |   |                      |                 |              |          |   |          |   |                  |   |                      |   |   |   |   |   |   |   |   |                     |   |   |   |   |   |   |   |   |               |   |   |   |   |   |   |   |   |                 |          |  |  |  |  |  |  |  |                      |   |   |   |   |   |   |   |   |  |
| <b>Default Value</b> | 1                               | 1  | 1                           | 0                               | 0        | 0 | 0                | 0 |  |  |  |                     |   |   |   |   |   |   |   |   |               |   |   |   |   |   |   |   |   |                      |                 |              |          |   |          |   |                  |   |                      |   |   |   |   |   |   |   |   |                     |   |   |   |   |   |   |   |   |               |   |   |   |   |   |   |   |   |                 |          |  |  |  |  |  |  |  |                      |   |   |   |   |   |   |   |   |  |
| <b>Bit Position</b>  | 7                               | 6  | 5                           | 4                               | 3        | 2 | 1                | 0 |  |  |  |                     |   |   |   |   |   |   |   |   |               |   |   |   |   |   |   |   |   |                      |                 |              |          |   |          |   |                  |   |                      |   |   |   |   |   |   |   |   |                     |   |   |   |   |   |   |   |   |               |   |   |   |   |   |   |   |   |                 |          |  |  |  |  |  |  |  |                      |   |   |   |   |   |   |   |   |  |
| <b>Access</b>        | r                               | r  | r                           | r                               | r        | r | r                | r |  |  |  |                     |   |   |   |   |   |   |   |   |               |   |   |   |   |   |   |   |   |                      |                 |              |          |   |          |   |                  |   |                      |   |   |   |   |   |   |   |   |                     |   |   |   |   |   |   |   |   |               |   |   |   |   |   |   |   |   |                 |          |  |  |  |  |  |  |  |                      |   |   |   |   |   |   |   |   |  |
| <b>Function</b>      | Mantissa                        |  |                             |                                 |          |   |                  |   |  |  |  |                     |   |   |   |   |   |   |   |   |               |   |   |   |   |   |   |   |   |                      |                 |              |          |   |          |   |                  |   |                      |   |   |   |   |   |   |   |   |                     |   |   |   |   |   |   |   |   |               |   |   |   |   |   |   |   |   |                 |          |  |  |  |  |  |  |  |                      |   |   |   |   |   |   |   |   |  |
| <b>Default Value</b> | 0                               | 0  | 0                           | 0                               | 0        | 0 | 0                | 0 |  |  |  |                     |   |   |   |   |   |   |   |   |               |   |   |   |   |   |   |   |   |                      |                 |              |          |   |          |   |                  |   |                      |   |   |   |   |   |   |   |   |                     |   |   |   |   |   |   |   |   |               |   |   |   |   |   |   |   |   |                 |          |  |  |  |  |  |  |  |                      |   |   |   |   |   |   |   |   |  |
| 98                   | PMBUS_REVISION                  | <p>Returns one byte indicating the module is compliant to PMBus Spec. 1.1 (read only)</p> <table border="1"> <tr> <td><b>Format</b></td> <td colspan="8">Unsigned Binary</td> </tr> <tr> <td><b>Bit Position</b></td> <td>7</td> <td>6</td> <td>5</td> <td>4</td> <td>3</td> <td>2</td> <td>1</td> <td>0</td> </tr> <tr> <td><b>Access</b></td> <td>r</td> <td>r</td> <td>r</td> <td>r</td> <td>r</td> <td>r</td> <td>r</td> <td>r</td> </tr> <tr> <td><b>Default Value</b></td> <td>0</td> <td>0</td> <td>0</td> <td>1</td> <td>0</td> <td>0</td> <td>0</td> <td>1</td> </tr> </table>  | <b>Format</b>               | Unsigned Binary                 |          |   |                  |   |  |  |  | <b>Bit Position</b> | 7 | 6 | 5 | 4 | 3 | 2 | 1 | 0 | <b>Access</b> | r | r | r | r | r | r | r | r | <b>Default Value</b> | 0               | 0            | 0        | 1 | 0        | 0 | 0                | 1 | YES                  |   |   |   |   |   |   |   |   |                     |   |   |   |   |   |   |   |   |               |   |   |   |   |   |   |   |   |                 |          |  |  |  |  |  |  |  |                      |   |   |   |   |   |   |   |   |  |
| <b>Format</b>        | Unsigned Binary                 |  |                             |                                 |          |   |                  |   |  |  |  |                     |   |   |   |   |   |   |   |   |               |   |   |   |   |   |   |   |   |                      |                 |              |          |   |          |   |                  |   |                      |   |   |   |   |   |   |   |   |                     |   |   |   |   |   |   |   |   |               |   |   |   |   |   |   |   |   |                 |          |  |  |  |  |  |  |  |                      |   |   |   |   |   |   |   |   |  |
| <b>Bit Position</b>  | 7                               | 6  | 5                           | 4                               | 3        | 2 | 1                | 0 |  |  |  |                     |   |   |   |   |   |   |   |   |               |   |   |   |   |   |   |   |   |                      |                 |              |          |   |          |   |                  |   |                      |   |   |   |   |   |   |   |   |                     |   |   |   |   |   |   |   |   |               |   |   |   |   |   |   |   |   |                 |          |  |  |  |  |  |  |  |                      |   |   |   |   |   |   |   |   |  |
| <b>Access</b>        | r                               | r  | r                           | r                               | r        | r | r                | r |  |  |  |                     |   |   |   |   |   |   |   |   |               |   |   |   |   |   |   |   |   |                      |                 |              |          |   |          |   |                  |   |                      |   |   |   |   |   |   |   |   |                     |   |   |   |   |   |   |   |   |               |   |   |   |   |   |   |   |   |                 |          |  |  |  |  |  |  |  |                      |   |   |   |   |   |   |   |   |  |
| <b>Default Value</b> | 0                               | 0  | 0                           | 1                               | 0        | 0 | 0                | 1 |  |  |  |                     |   |   |   |   |   |   |   |   |               |   |   |   |   |   |   |   |   |                      |                 |              |          |   |          |   |                  |   |                      |   |   |   |   |   |   |   |   |                     |   |   |   |   |   |   |   |   |               |   |   |   |   |   |   |   |   |                 |          |  |  |  |  |  |  |  |                      |   |   |   |   |   |   |   |   |  |

3A Digital PicoDLynx™: Non-Isolated DC-DC Power Modules  
 3Vdc –14.4Vdc input; 0.45Vdc to 5.5Vdc output; 3A Output Current

Table 6 (continued)

| Hex Code             | Command                         | Brief Description   | Non-Volatile Memory Storage |                                 |          |     |          |     |  |  |  |                     |   |   |   |   |   |   |   |   |               |     |   |   |   |   |     |   |   |                 |          |  |  |  |          |  |  |  |                      |   |   |   |   |   |   |   |   |                     |   |   |   |   |   |   |   |   |               |   |     |     |     |     |     |     |     |                 |             |  |  |  |  |  |          |  |                      |   |   |   |   |   |   |   |   |     |
|----------------------|---------------------------------|---|-----------------------------|---------------------------------|----------|-----|----------|-----|--|--|--|---------------------|---|---|---|---|---|---|---|---|---------------|-----|---|---|---|---|-----|---|---|-----------------|----------|--|--|--|----------|--|--|--|----------------------|---|---|---|---|---|---|---|---|---------------------|---|---|---|---|---|---|---|---|---------------|---|-----|-----|-----|-----|-----|-----|-----|-----------------|-------------|--|--|--|--|--|----------|--|----------------------|---|---|---|---|---|---|---|---|-----|
| A0                   | MFR_VIN_MIN                     | <p>Returns the minimum input voltage the module is specified to operate at (read only)</p> <table border="1"> <tr> <td><b>Format</b></td> <td colspan="8">Linear, two's complement binary</td> </tr> <tr> <td><b>Bit Position</b></td> <td>7</td><td>6</td><td>5</td><td>4</td><td>3</td><td>2</td><td>1</td><td>0</td> </tr> <tr> <td><b>Access</b></td> <td>r</td><td>r</td><td>r</td><td>r</td><td>r</td><td>r</td><td>r</td><td>r</td> </tr> <tr> <td><b>Function</b></td> <td colspan="4">Exponent</td> <td colspan="4">Mantissa</td> </tr> <tr> <td><b>Default Value</b></td> <td>1</td><td>1</td><td>1</td><td>1</td><td>0</td><td>0</td><td>0</td><td>0</td> </tr> <tr> <td><b>Bit Position</b></td> <td>7</td><td>6</td><td>5</td><td>4</td><td>3</td><td>2</td><td>1</td><td>0</td> </tr> <tr> <td><b>Access</b></td> <td>r</td><td>r</td><td>r</td><td>r</td><td>r</td><td>r</td><td>r</td><td>r</td> </tr> <tr> <td><b>Function</b></td> <td colspan="8">Mantissa</td> </tr> <tr> <td><b>Default Value</b></td> <td>0</td><td>0</td><td>0</td><td>0</td><td>1</td><td>1</td><td>0</td><td>0</td> </tr> </table>   | <b>Format</b>               | Linear, two's complement binary |          |     |          |     |  |  |  | <b>Bit Position</b> | 7 | 6 | 5 | 4 | 3 | 2 | 1 | 0 | <b>Access</b> | r   | r | r | r | r | r   | r | r | <b>Function</b> | Exponent |  |  |  | Mantissa |  |  |  | <b>Default Value</b> | 1 | 1 | 1 | 1 | 0 | 0 | 0 | 0 | <b>Bit Position</b> | 7 | 6 | 5 | 4 | 3 | 2 | 1 | 0 | <b>Access</b> | r | r   | r   | r   | r   | r   | r   | r   | <b>Function</b> | Mantissa    |  |  |  |  |  |          |  | <b>Default Value</b> | 0 | 0 | 0 | 0 | 1 | 1 | 0 | 0 | YES |
| <b>Format</b>        | Linear, two's complement binary |   |                             |                                 |          |     |          |     |  |  |  |                     |   |   |   |   |   |   |   |   |               |     |   |   |   |   |     |   |   |                 |          |  |  |  |          |  |  |  |                      |   |   |   |   |   |   |   |   |                     |   |   |   |   |   |   |   |   |               |   |     |     |     |     |     |     |     |                 |             |  |  |  |  |  |          |  |                      |   |   |   |   |   |   |   |   |     |
| <b>Bit Position</b>  | 7                               | 6   | 5                           | 4                               | 3        | 2   | 1        | 0   |  |  |  |                     |   |   |   |   |   |   |   |   |               |     |   |   |   |   |     |   |   |                 |          |  |  |  |          |  |  |  |                      |   |   |   |   |   |   |   |   |                     |   |   |   |   |   |   |   |   |               |   |     |     |     |     |     |     |     |                 |             |  |  |  |  |  |          |  |                      |   |   |   |   |   |   |   |   |     |
| <b>Access</b>        | r                               | r   | r                           | r                               | r        | r   | r        | r   |  |  |  |                     |   |   |   |   |   |   |   |   |               |     |   |   |   |   |     |   |   |                 |          |  |  |  |          |  |  |  |                      |   |   |   |   |   |   |   |   |                     |   |   |   |   |   |   |   |   |               |   |     |     |     |     |     |     |     |                 |             |  |  |  |  |  |          |  |                      |   |   |   |   |   |   |   |   |     |
| <b>Function</b>      | Exponent                        |   |                             |                                 | Mantissa |     |          |     |  |  |  |                     |   |   |   |   |   |   |   |   |               |     |   |   |   |   |     |   |   |                 |          |  |  |  |          |  |  |  |                      |   |   |   |   |   |   |   |   |                     |   |   |   |   |   |   |   |   |               |   |     |     |     |     |     |     |     |                 |             |  |  |  |  |  |          |  |                      |   |   |   |   |   |   |   |   |     |
| <b>Default Value</b> | 1                               | 1   | 1                           | 1                               | 0        | 0   | 0        | 0   |  |  |  |                     |   |   |   |   |   |   |   |   |               |     |   |   |   |   |     |   |   |                 |          |  |  |  |          |  |  |  |                      |   |   |   |   |   |   |   |   |                     |   |   |   |   |   |   |   |   |               |   |     |     |     |     |     |     |     |                 |             |  |  |  |  |  |          |  |                      |   |   |   |   |   |   |   |   |     |
| <b>Bit Position</b>  | 7                               | 6   | 5                           | 4                               | 3        | 2   | 1        | 0   |  |  |  |                     |   |   |   |   |   |   |   |   |               |     |   |   |   |   |     |   |   |                 |          |  |  |  |          |  |  |  |                      |   |   |   |   |   |   |   |   |                     |   |   |   |   |   |   |   |   |               |   |     |     |     |     |     |     |     |                 |             |  |  |  |  |  |          |  |                      |   |   |   |   |   |   |   |   |     |
| <b>Access</b>        | r                               | r   | r                           | r                               | r        | r   | r        | r   |  |  |  |                     |   |   |   |   |   |   |   |   |               |     |   |   |   |   |     |   |   |                 |          |  |  |  |          |  |  |  |                      |   |   |   |   |   |   |   |   |                     |   |   |   |   |   |   |   |   |               |   |     |     |     |     |     |     |     |                 |             |  |  |  |  |  |          |  |                      |   |   |   |   |   |   |   |   |     |
| <b>Function</b>      | Mantissa                        |   |                             |                                 |          |     |          |     |  |  |  |                     |   |   |   |   |   |   |   |   |               |     |   |   |   |   |     |   |   |                 |          |  |  |  |          |  |  |  |                      |   |   |   |   |   |   |   |   |                     |   |   |   |   |   |   |   |   |               |   |     |     |     |     |     |     |     |                 |             |  |  |  |  |  |          |  |                      |   |   |   |   |   |   |   |   |     |
| <b>Default Value</b> | 0                               | 0   | 0                           | 0                               | 1        | 1   | 0        | 0   |  |  |  |                     |   |   |   |   |   |   |   |   |               |     |   |   |   |   |     |   |   |                 |          |  |  |  |          |  |  |  |                      |   |   |   |   |   |   |   |   |                     |   |   |   |   |   |   |   |   |               |   |     |     |     |     |     |     |     |                 |             |  |  |  |  |  |          |  |                      |   |   |   |   |   |   |   |   |     |
| A4                   | MFR_VOUT_MIN                    | <p>Returns the minimum output voltage possible from the module (read only)</p> <table border="1"> <tr> <td><b>Format</b></td> <td colspan="8">Linear, two's complement binary</td> </tr> <tr> <td><b>Bit Position</b></td> <td>7</td><td>6</td><td>5</td><td>4</td><td>3</td><td>2</td><td>1</td><td>0</td> </tr> <tr> <td><b>Access</b></td> <td>r</td><td>r</td><td>r</td><td>r</td><td>r</td><td>r</td><td>r</td><td>r</td> </tr> <tr> <td><b>Function</b></td> <td colspan="8">Mantissa</td> </tr> <tr> <td><b>Default Value</b></td> <td>0</td><td>0</td><td>0</td><td>0</td><td>0</td><td>0</td><td>1</td><td>0</td> </tr> <tr> <td><b>Bit Position</b></td> <td>7</td><td>6</td><td>5</td><td>4</td><td>3</td><td>2</td><td>1</td><td>0</td> </tr> <tr> <td><b>Access</b></td> <td>r</td><td>r</td><td>r</td><td>r</td><td>r</td><td>r</td><td>r</td><td>r</td> </tr> <tr> <td><b>Function</b></td> <td colspan="8">Mantissa</td> </tr> <tr> <td><b>Default Value</b></td> <td>0</td><td>1</td><td>1</td><td>0</td><td>0</td><td>1</td><td>1</td><td>0</td> </tr> </table>   | <b>Format</b>               | Linear, two's complement binary |          |     |          |     |  |  |  | <b>Bit Position</b> | 7 | 6 | 5 | 4 | 3 | 2 | 1 | 0 | <b>Access</b> | r   | r | r | r | r | r   | r | r | <b>Function</b> | Mantissa |  |  |  |          |  |  |  | <b>Default Value</b> | 0 | 0 | 0 | 0 | 0 | 0 | 1 | 0 | <b>Bit Position</b> | 7 | 6 | 5 | 4 | 3 | 2 | 1 | 0 | <b>Access</b> | r | r   | r   | r   | r   | r   | r   | r   | <b>Function</b> | Mantissa    |  |  |  |  |  |          |  | <b>Default Value</b> | 0 | 1 | 1 | 0 | 0 | 1 | 1 | 0 | YES |
| <b>Format</b>        | Linear, two's complement binary |   |                             |                                 |          |     |          |     |  |  |  |                     |   |   |   |   |   |   |   |   |               |     |   |   |   |   |     |   |   |                 |          |  |  |  |          |  |  |  |                      |   |   |   |   |   |   |   |   |                     |   |   |   |   |   |   |   |   |               |   |     |     |     |     |     |     |     |                 |             |  |  |  |  |  |          |  |                      |   |   |   |   |   |   |   |   |     |
| <b>Bit Position</b>  | 7                               | 6   | 5                           | 4                               | 3        | 2   | 1        | 0   |  |  |  |                     |   |   |   |   |   |   |   |   |               |     |   |   |   |   |     |   |   |                 |          |  |  |  |          |  |  |  |                      |   |   |   |   |   |   |   |   |                     |   |   |   |   |   |   |   |   |               |   |     |     |     |     |     |     |     |                 |             |  |  |  |  |  |          |  |                      |   |   |   |   |   |   |   |   |     |
| <b>Access</b>        | r                               | r   | r                           | r                               | r        | r   | r        | r   |  |  |  |                     |   |   |   |   |   |   |   |   |               |     |   |   |   |   |     |   |   |                 |          |  |  |  |          |  |  |  |                      |   |   |   |   |   |   |   |   |                     |   |   |   |   |   |   |   |   |               |   |     |     |     |     |     |     |     |                 |             |  |  |  |  |  |          |  |                      |   |   |   |   |   |   |   |   |     |
| <b>Function</b>      | Mantissa                        |   |                             |                                 |          |     |          |     |  |  |  |                     |   |   |   |   |   |   |   |   |               |     |   |   |   |   |     |   |   |                 |          |  |  |  |          |  |  |  |                      |   |   |   |   |   |   |   |   |                     |   |   |   |   |   |   |   |   |               |   |     |     |     |     |     |     |     |                 |             |  |  |  |  |  |          |  |                      |   |   |   |   |   |   |   |   |     |
| <b>Default Value</b> | 0                               | 0   | 0                           | 0                               | 0        | 0   | 1        | 0   |  |  |  |                     |   |   |   |   |   |   |   |   |               |     |   |   |   |   |     |   |   |                 |          |  |  |  |          |  |  |  |                      |   |   |   |   |   |   |   |   |                     |   |   |   |   |   |   |   |   |               |   |     |     |     |     |     |     |     |                 |             |  |  |  |  |  |          |  |                      |   |   |   |   |   |   |   |   |     |
| <b>Bit Position</b>  | 7                               | 6   | 5                           | 4                               | 3        | 2   | 1        | 0   |  |  |  |                     |   |   |   |   |   |   |   |   |               |     |   |   |   |   |     |   |   |                 |          |  |  |  |          |  |  |  |                      |   |   |   |   |   |   |   |   |                     |   |   |   |   |   |   |   |   |               |   |     |     |     |     |     |     |     |                 |             |  |  |  |  |  |          |  |                      |   |   |   |   |   |   |   |   |     |
| <b>Access</b>        | r                               | r   | r                           | r                               | r        | r   | r        | r   |  |  |  |                     |   |   |   |   |   |   |   |   |               |     |   |   |   |   |     |   |   |                 |          |  |  |  |          |  |  |  |                      |   |   |   |   |   |   |   |   |                     |   |   |   |   |   |   |   |   |               |   |     |     |     |     |     |     |     |                 |             |  |  |  |  |  |          |  |                      |   |   |   |   |   |   |   |   |     |
| <b>Function</b>      | Mantissa                        |   |                             |                                 |          |     |          |     |  |  |  |                     |   |   |   |   |   |   |   |   |               |     |   |   |   |   |     |   |   |                 |          |  |  |  |          |  |  |  |                      |   |   |   |   |   |   |   |   |                     |   |   |   |   |   |   |   |   |               |   |     |     |     |     |     |     |     |                 |             |  |  |  |  |  |          |  |                      |   |   |   |   |   |   |   |   |     |
| <b>Default Value</b> | 0                               | 1   | 1                           | 0                               | 0        | 1   | 1        | 0   |  |  |  |                     |   |   |   |   |   |   |   |   |               |     |   |   |   |   |     |   |   |                 |          |  |  |  |          |  |  |  |                      |   |   |   |   |   |   |   |   |                     |   |   |   |   |   |   |   |   |               |   |     |     |     |     |     |     |     |                 |             |  |  |  |  |  |          |  |                      |   |   |   |   |   |   |   |   |     |
| D0                   | MFR_SPECIFIC_00                 | <p>Returns module name information (read only)</p> <table border="1"> <tr> <td><b>Format</b></td> <td colspan="8">Unsigned Binary</td> </tr> <tr> <td><b>Bit Position</b></td> <td>7</td><td>6</td><td>5</td><td>4</td><td>3</td><td>2</td><td>1</td><td>0</td> </tr> <tr> <td><b>Access</b></td> <td>r</td><td>r</td><td>r</td><td>r</td><td>r</td><td>r</td><td>r</td><td>r</td> </tr> <tr> <td><b>Function</b></td> <td colspan="8">Reserved</td> </tr> <tr> <td><b>Default Value</b></td> <td>0</td><td>0</td><td>0</td><td>0</td><td>0</td><td>0</td><td>0</td><td>0</td> </tr> <tr> <td><b>Bit Position</b></td> <td>7</td><td>6</td><td>5</td><td>4</td><td>3</td><td>2</td><td>1</td><td>0</td> </tr> <tr> <td><b>Access</b></td> <td>r</td><td>r</td><td>r</td><td>r</td><td>r</td><td>r</td><td>r</td><td>r</td> </tr> <tr> <td><b>Function</b></td> <td colspan="6">Module Name</td> <td colspan="2">Reserved</td> </tr> <tr> <td><b>Default Value</b></td> <td>0</td><td>0</td><td>1</td><td>0</td><td>0</td><td>0</td><td>1</td><td>0</td> </tr> </table>  | <b>Format</b>               | Unsigned Binary                 |          |     |          |     |  |  |  | <b>Bit Position</b> | 7 | 6 | 5 | 4 | 3 | 2 | 1 | 0 | <b>Access</b> | r   | r | r | r | r | r   | r | r | <b>Function</b> | Reserved |  |  |  |          |  |  |  | <b>Default Value</b> | 0 | 0 | 0 | 0 | 0 | 0 | 0 | 0 | <b>Bit Position</b> | 7 | 6 | 5 | 4 | 3 | 2 | 1 | 0 | <b>Access</b> | r | r   | r   | r   | r   | r   | r   | r   | <b>Function</b> | Module Name |  |  |  |  |  | Reserved |  | <b>Default Value</b> | 0 | 0 | 1 | 0 | 0 | 0 | 1 | 0 | YES |
| <b>Format</b>        | Unsigned Binary                 |   |                             |                                 |          |     |          |     |  |  |  |                     |   |   |   |   |   |   |   |   |               |     |   |   |   |   |     |   |   |                 |          |  |  |  |          |  |  |  |                      |   |   |   |   |   |   |   |   |                     |   |   |   |   |   |   |   |   |               |   |     |     |     |     |     |     |     |                 |             |  |  |  |  |  |          |  |                      |   |   |   |   |   |   |   |   |     |
| <b>Bit Position</b>  | 7                               | 6   | 5                           | 4                               | 3        | 2   | 1        | 0   |  |  |  |                     |   |   |   |   |   |   |   |   |               |     |   |   |   |   |     |   |   |                 |          |  |  |  |          |  |  |  |                      |   |   |   |   |   |   |   |   |                     |   |   |   |   |   |   |   |   |               |   |     |     |     |     |     |     |     |                 |             |  |  |  |  |  |          |  |                      |   |   |   |   |   |   |   |   |     |
| <b>Access</b>        | r                               | r   | r                           | r                               | r        | r   | r        | r   |  |  |  |                     |   |   |   |   |   |   |   |   |               |     |   |   |   |   |     |   |   |                 |          |  |  |  |          |  |  |  |                      |   |   |   |   |   |   |   |   |                     |   |   |   |   |   |   |   |   |               |   |     |     |     |     |     |     |     |                 |             |  |  |  |  |  |          |  |                      |   |   |   |   |   |   |   |   |     |
| <b>Function</b>      | Reserved                        |   |                             |                                 |          |     |          |     |  |  |  |                     |   |   |   |   |   |   |   |   |               |     |   |   |   |   |     |   |   |                 |          |  |  |  |          |  |  |  |                      |   |   |   |   |   |   |   |   |                     |   |   |   |   |   |   |   |   |               |   |     |     |     |     |     |     |     |                 |             |  |  |  |  |  |          |  |                      |   |   |   |   |   |   |   |   |     |
| <b>Default Value</b> | 0                               | 0   | 0                           | 0                               | 0        | 0   | 0        | 0   |  |  |  |                     |   |   |   |   |   |   |   |   |               |     |   |   |   |   |     |   |   |                 |          |  |  |  |          |  |  |  |                      |   |   |   |   |   |   |   |   |                     |   |   |   |   |   |   |   |   |               |   |     |     |     |     |     |     |     |                 |             |  |  |  |  |  |          |  |                      |   |   |   |   |   |   |   |   |     |
| <b>Bit Position</b>  | 7                               | 6   | 5                           | 4                               | 3        | 2   | 1        | 0   |  |  |  |                     |   |   |   |   |   |   |   |   |               |     |   |   |   |   |     |   |   |                 |          |  |  |  |          |  |  |  |                      |   |   |   |   |   |   |   |   |                     |   |   |   |   |   |   |   |   |               |   |     |     |     |     |     |     |     |                 |             |  |  |  |  |  |          |  |                      |   |   |   |   |   |   |   |   |     |
| <b>Access</b>        | r                               | r   | r                           | r                               | r        | r   | r        | r   |  |  |  |                     |   |   |   |   |   |   |   |   |               |     |   |   |   |   |     |   |   |                 |          |  |  |  |          |  |  |  |                      |   |   |   |   |   |   |   |   |                     |   |   |   |   |   |   |   |   |               |   |     |     |     |     |     |     |     |                 |             |  |  |  |  |  |          |  |                      |   |   |   |   |   |   |   |   |     |
| <b>Function</b>      | Module Name                     |   |                             |                                 |          |     | Reserved |     |  |  |  |                     |   |   |   |   |   |   |   |   |               |     |   |   |   |   |     |   |   |                 |          |  |  |  |          |  |  |  |                      |   |   |   |   |   |   |   |   |                     |   |   |   |   |   |   |   |   |               |   |     |     |     |     |     |     |     |                 |             |  |  |  |  |  |          |  |                      |   |   |   |   |   |   |   |   |     |
| <b>Default Value</b> | 0                               | 0   | 1                           | 0                               | 0        | 0   | 1        | 0   |  |  |  |                     |   |   |   |   |   |   |   |   |               |     |   |   |   |   |     |   |   |                 |          |  |  |  |          |  |  |  |                      |   |   |   |   |   |   |   |   |                     |   |   |   |   |   |   |   |   |               |   |     |     |     |     |     |     |     |                 |             |  |  |  |  |  |          |  |                      |   |   |   |   |   |   |   |   |     |
| D4                   | VOUT_CAL_OFFSET                 | <p>Applies an offset to the READ_VOUT command results to calibrate out offset errors in module measurements of the output voltage (between -125mV and +124mV)</p> <table border="1"> <tr> <td><b>Format</b></td> <td colspan="8">Linear, two's complement binary</td> </tr> <tr> <td><b>Bit Position</b></td> <td>7</td><td>6</td><td>5</td><td>4</td><td>3</td><td>2</td><td>1</td><td>0</td> </tr> <tr> <td><b>Access</b></td> <td>r/w</td><td>r</td><td>r</td><td>r</td><td>r</td><td>r</td><td>r</td><td>r</td> </tr> <tr> <td><b>Function</b></td> <td colspan="8">Mantissa</td> </tr> <tr> <td><b>Default Value</b></td> <td>V</td><td>0</td><td>0</td><td>0</td><td>0</td><td>0</td><td>0</td><td>0</td> </tr> <tr> <td><b>Bit Position</b></td> <td>7</td><td>6</td><td>5</td><td>4</td><td>3</td><td>2</td><td>1</td><td>0</td> </tr> <tr> <td><b>Access</b></td> <td>r</td><td>r/w</td><td>r/w</td><td>r/w</td><td>r/w</td><td>r/w</td><td>r/w</td><td>r/w</td> </tr> <tr> <td><b>Function</b></td> <td colspan="8">Mantissa</td> </tr> <tr> <td><b>Default Value</b></td> <td>V</td><td>V</td><td>V</td><td>V</td><td>V</td><td>V</td><td>V</td><td>V</td> </tr> </table>                                | <b>Format</b>               | Linear, two's complement binary |          |     |          |     |  |  |  | <b>Bit Position</b> | 7 | 6 | 5 | 4 | 3 | 2 | 1 | 0 | <b>Access</b> | r/w | r | r | r | r | r   | r | r | <b>Function</b> | Mantissa |  |  |  |          |  |  |  | <b>Default Value</b> | V | 0 | 0 | 0 | 0 | 0 | 0 | 0 | <b>Bit Position</b> | 7 | 6 | 5 | 4 | 3 | 2 | 1 | 0 | <b>Access</b> | r | r/w | r/w | r/w | r/w | r/w | r/w | r/w | <b>Function</b> | Mantissa    |  |  |  |  |  |          |  | <b>Default Value</b> | V | V | V | V | V | V | V | V | YES |
| <b>Format</b>        | Linear, two's complement binary |   |                             |                                 |          |     |          |     |  |  |  |                     |   |   |   |   |   |   |   |   |               |     |   |   |   |   |     |   |   |                 |          |  |  |  |          |  |  |  |                      |   |   |   |   |   |   |   |   |                     |   |   |   |   |   |   |   |   |               |   |     |     |     |     |     |     |     |                 |             |  |  |  |  |  |          |  |                      |   |   |   |   |   |   |   |   |     |
| <b>Bit Position</b>  | 7                               | 6   | 5                           | 4                               | 3        | 2   | 1        | 0   |  |  |  |                     |   |   |   |   |   |   |   |   |               |     |   |   |   |   |     |   |   |                 |          |  |  |  |          |  |  |  |                      |   |   |   |   |   |   |   |   |                     |   |   |   |   |   |   |   |   |               |   |     |     |     |     |     |     |     |                 |             |  |  |  |  |  |          |  |                      |   |   |   |   |   |   |   |   |     |
| <b>Access</b>        | r/w                             | r   | r                           | r                               | r        | r   | r        | r   |  |  |  |                     |   |   |   |   |   |   |   |   |               |     |   |   |   |   |     |   |   |                 |          |  |  |  |          |  |  |  |                      |   |   |   |   |   |   |   |   |                     |   |   |   |   |   |   |   |   |               |   |     |     |     |     |     |     |     |                 |             |  |  |  |  |  |          |  |                      |   |   |   |   |   |   |   |   |     |
| <b>Function</b>      | Mantissa                        |   |                             |                                 |          |     |          |     |  |  |  |                     |   |   |   |   |   |   |   |   |               |     |   |   |   |   |     |   |   |                 |          |  |  |  |          |  |  |  |                      |   |   |   |   |   |   |   |   |                     |   |   |   |   |   |   |   |   |               |   |     |     |     |     |     |     |     |                 |             |  |  |  |  |  |          |  |                      |   |   |   |   |   |   |   |   |     |
| <b>Default Value</b> | V                               | 0   | 0                           | 0                               | 0        | 0   | 0        | 0   |  |  |  |                     |   |   |   |   |   |   |   |   |               |     |   |   |   |   |     |   |   |                 |          |  |  |  |          |  |  |  |                      |   |   |   |   |   |   |   |   |                     |   |   |   |   |   |   |   |   |               |   |     |     |     |     |     |     |     |                 |             |  |  |  |  |  |          |  |                      |   |   |   |   |   |   |   |   |     |
| <b>Bit Position</b>  | 7                               | 6   | 5                           | 4                               | 3        | 2   | 1        | 0   |  |  |  |                     |   |   |   |   |   |   |   |   |               |     |   |   |   |   |     |   |   |                 |          |  |  |  |          |  |  |  |                      |   |   |   |   |   |   |   |   |                     |   |   |   |   |   |   |   |   |               |   |     |     |     |     |     |     |     |                 |             |  |  |  |  |  |          |  |                      |   |   |   |   |   |   |   |   |     |
| <b>Access</b>        | r                               | r/w   | r/w                         | r/w                             | r/w      | r/w | r/w      | r/w |  |  |  |                     |   |   |   |   |   |   |   |   |               |     |   |   |   |   |     |   |   |                 |          |  |  |  |          |  |  |  |                      |   |   |   |   |   |   |   |   |                     |   |   |   |   |   |   |   |   |               |   |     |     |     |     |     |     |     |                 |             |  |  |  |  |  |          |  |                      |   |   |   |   |   |   |   |   |     |
| <b>Function</b>      | Mantissa                        |   |                             |                                 |          |     |          |     |  |  |  |                     |   |   |   |   |   |   |   |   |               |     |   |   |   |   |     |   |   |                 |          |  |  |  |          |  |  |  |                      |   |   |   |   |   |   |   |   |                     |   |   |   |   |   |   |   |   |               |   |     |     |     |     |     |     |     |                 |             |  |  |  |  |  |          |  |                      |   |   |   |   |   |   |   |   |     |
| <b>Default Value</b> | V                               | V   | V                           | V                               | V        | V   | V        | V   |  |  |  |                     |   |   |   |   |   |   |   |   |               |     |   |   |   |   |     |   |   |                 |          |  |  |  |          |  |  |  |                      |   |   |   |   |   |   |   |   |                     |   |   |   |   |   |   |   |   |               |   |     |     |     |     |     |     |     |                 |             |  |  |  |  |  |          |  |                      |   |   |   |   |   |   |   |   |     |
| D5                   | VOUT_CAL_GAIN                   | <p>Applies a gain correction to the READ_VOUT command results to calibrate out gain errors in module measurements of the output voltage (between -0.125 and 0.121)</p> <table border="1"> <tr> <td><b>Format</b></td> <td colspan="8">Linear, two's complement binary</td> </tr> <tr> <td><b>Bit Position</b></td> <td>7</td><td>6</td><td>5</td><td>4</td><td>3</td><td>2</td><td>1</td><td>0</td> </tr> <tr> <td><b>Access</b></td> <td>r</td><td>r</td><td>r</td><td>r</td><td>r</td><td>r/w</td><td>r</td><td>r</td> </tr> <tr> <td><b>Function</b></td> <td colspan="4">Exponent</td> <td colspan="4">Mantissa</td> </tr> <tr> <td><b>Default Value</b></td> <td>1</td><td>1</td><td>0</td><td>0</td><td>0</td><td>0</td><td>0</td><td>V</td> </tr> <tr> <td><b>Bit Position</b></td> <td>7</td><td>6</td><td>5</td><td>4</td><td>3</td><td>2</td><td>1</td><td>0</td> </tr> <tr> <td><b>Access</b></td> <td>r</td><td>r</td><td>r</td><td>r/w</td><td>r/w</td><td>r/w</td><td>r/w</td><td>r/w</td> </tr> <tr> <td><b>Function</b></td> <td colspan="8">Mantissa</td> </tr> <tr> <td><b>Default Value</b></td> <td>V</td><td>V</td><td>V</td><td>V</td><td>V</td><td>V</td><td>V</td><td>V</td> </tr> </table> | <b>Format</b>               | Linear, two's complement binary |          |     |          |     |  |  |  | <b>Bit Position</b> | 7 | 6 | 5 | 4 | 3 | 2 | 1 | 0 | <b>Access</b> | r   | r | r | r | r | r/w | r | r | <b>Function</b> | Exponent |  |  |  | Mantissa |  |  |  | <b>Default Value</b> | 1 | 1 | 0 | 0 | 0 | 0 | 0 | V | <b>Bit Position</b> | 7 | 6 | 5 | 4 | 3 | 2 | 1 | 0 | <b>Access</b> | r | r   | r   | r/w | r/w | r/w | r/w | r/w | <b>Function</b> | Mantissa    |  |  |  |  |  |          |  | <b>Default Value</b> | V | V | V | V | V | V | V | V | YES |
| <b>Format</b>        | Linear, two's complement binary |   |                             |                                 |          |     |          |     |  |  |  |                     |   |   |   |   |   |   |   |   |               |     |   |   |   |   |     |   |   |                 |          |  |  |  |          |  |  |  |                      |   |   |   |   |   |   |   |   |                     |   |   |   |   |   |   |   |   |               |   |     |     |     |     |     |     |     |                 |             |  |  |  |  |  |          |  |                      |   |   |   |   |   |   |   |   |     |
| <b>Bit Position</b>  | 7                               | 6   | 5                           | 4                               | 3        | 2   | 1        | 0   |  |  |  |                     |   |   |   |   |   |   |   |   |               |     |   |   |   |   |     |   |   |                 |          |  |  |  |          |  |  |  |                      |   |   |   |   |   |   |   |   |                     |   |   |   |   |   |   |   |   |               |   |     |     |     |     |     |     |     |                 |             |  |  |  |  |  |          |  |                      |   |   |   |   |   |   |   |   |     |
| <b>Access</b>        | r                               | r   | r                           | r                               | r        | r/w | r        | r   |  |  |  |                     |   |   |   |   |   |   |   |   |               |     |   |   |   |   |     |   |   |                 |          |  |  |  |          |  |  |  |                      |   |   |   |   |   |   |   |   |                     |   |   |   |   |   |   |   |   |               |   |     |     |     |     |     |     |     |                 |             |  |  |  |  |  |          |  |                      |   |   |   |   |   |   |   |   |     |
| <b>Function</b>      | Exponent                        |   |                             |                                 | Mantissa |     |          |     |  |  |  |                     |   |   |   |   |   |   |   |   |               |     |   |   |   |   |     |   |   |                 |          |  |  |  |          |  |  |  |                      |   |   |   |   |   |   |   |   |                     |   |   |   |   |   |   |   |   |               |   |     |     |     |     |     |     |     |                 |             |  |  |  |  |  |          |  |                      |   |   |   |   |   |   |   |   |     |
| <b>Default Value</b> | 1                               | 1   | 0                           | 0                               | 0        | 0   | 0        | V   |  |  |  |                     |   |   |   |   |   |   |   |   |               |     |   |   |   |   |     |   |   |                 |          |  |  |  |          |  |  |  |                      |   |   |   |   |   |   |   |   |                     |   |   |   |   |   |   |   |   |               |   |     |     |     |     |     |     |     |                 |             |  |  |  |  |  |          |  |                      |   |   |   |   |   |   |   |   |     |
| <b>Bit Position</b>  | 7                               | 6   | 5                           | 4                               | 3        | 2   | 1        | 0   |  |  |  |                     |   |   |   |   |   |   |   |   |               |     |   |   |   |   |     |   |   |                 |          |  |  |  |          |  |  |  |                      |   |   |   |   |   |   |   |   |                     |   |   |   |   |   |   |   |   |               |   |     |     |     |     |     |     |     |                 |             |  |  |  |  |  |          |  |                      |   |   |   |   |   |   |   |   |     |
| <b>Access</b>        | r                               | r   | r                           | r/w                             | r/w      | r/w | r/w      | r/w |  |  |  |                     |   |   |   |   |   |   |   |   |               |     |   |   |   |   |     |   |   |                 |          |  |  |  |          |  |  |  |                      |   |   |   |   |   |   |   |   |                     |   |   |   |   |   |   |   |   |               |   |     |     |     |     |     |     |     |                 |             |  |  |  |  |  |          |  |                      |   |   |   |   |   |   |   |   |     |
| <b>Function</b>      | Mantissa                        |   |                             |                                 |          |     |          |     |  |  |  |                     |   |   |   |   |   |   |   |   |               |     |   |   |   |   |     |   |   |                 |          |  |  |  |          |  |  |  |                      |   |   |   |   |   |   |   |   |                     |   |   |   |   |   |   |   |   |               |   |     |     |     |     |     |     |     |                 |             |  |  |  |  |  |          |  |                      |   |   |   |   |   |   |   |   |     |
| <b>Default Value</b> | V                               | V   | V                           | V                               | V        | V   | V        | V   |  |  |  |                     |   |   |   |   |   |   |   |   |               |     |   |   |   |   |     |   |   |                 |          |  |  |  |          |  |  |  |                      |   |   |   |   |   |   |   |   |                     |   |   |   |   |   |   |   |   |               |   |     |     |     |     |     |     |     |                 |             |  |  |  |  |  |          |  |                      |   |   |   |   |   |   |   |   |     |

3A Digital PicoDLynx™: Non-Isolated DC-DC Power Modules  
 3Vdc –14.4Vdc input; 0.45Vdc to 5.5Vdc output; 3A Output Current

Table 6 (continued)

| Hex Code | Command        | Brief Description   | Non-Volatile Memory Storage |                                 |
|----------|----------------|---|-----------------------------|---------------------------------|
| D6       | VIN_CAL_OFFSET | Applies an offset correction to the READ_VIN command results to calibrate out offset errors in module measurements of the input voltage (between -2V and +1.968V) | YES                         |                                 |
|          |                | <b>Format</b>   |                             | Linear, two's complement binary |
|          |                | <b>Bit Position</b>   |                             | 7 6 5 4 3 2 1 0                 |
|          |                | <b>Access</b>   |                             | r r r r r r/w r r               |
|          |                | <b>Function</b>   |                             | Exponent Mantissa               |
|          |                | <b>Default Value</b>  |                             | 1 1 0 1 V 0 0 V                 |
|          |                | <b>Bit Position</b>   |                             | 7 6 5 4 3 2 1 0                 |
|          |                | <b>Access</b>   |                             | r r r/w r/w r/w r/w r/w r/w     |
|          |                | <b>Function</b>   |                             | Mantissa                        |
|          |                | <b>Default Value</b>  |                             | 0 0 V V V V V V                 |
| D7       | VIN_CAL_GAIN   | Applies a gain correction to the READ_VIN command results to calibrate out gain errors in module measurements of the input voltage (between -0.125 and 0.121)     | YES                         |                                 |
|          |                | <b>Format</b>   |                             | Linear, two's complement binary |
|          |                | <b>Bit Position</b>   |                             | 7 6 5 4 3 2 1 0                 |
|          |                | <b>Access</b>   |                             | r r r r r r/w r r               |
|          |                | <b>Function</b>   |                             | Exponent Mantissa               |
|          |                | <b>Default Value</b>  |                             | 1 1 0 0 V 0 0 V                 |
|          |                | <b>Bit Position</b>   |                             | 7 6 5 4 3 2 1 0                 |
|          |                | <b>Access</b>   |                             | r r r r/w r/w r/w r/w r/w       |
|          |                | <b>Function</b>   |                             | Mantissa                        |
|          |                | <b>Default Value</b>  |                             | 0 0 0 V V V V V                 |



# 3A Digital PicoDlynx™: Non-Isolated DC-DC Power Modules

3Vdc –14.4Vdc input; 0.45Vdc to 5.5Vdc output; 3A Output Current

## Thermal Considerations

Power modules operate in a variety of thermal environments; however, sufficient cooling should always be provided to help ensure reliable operation.

Considerations include ambient temperature, airflow, module power dissipation, and the need for increased reliability. A reduction in the operating temperature of the module will result in an increase in reliability. The thermal data presented here is based on physical measurements taken in a wind tunnel. The test set-up is shown in Figure 49. The preferred airflow direction for the module is in Figure 50.

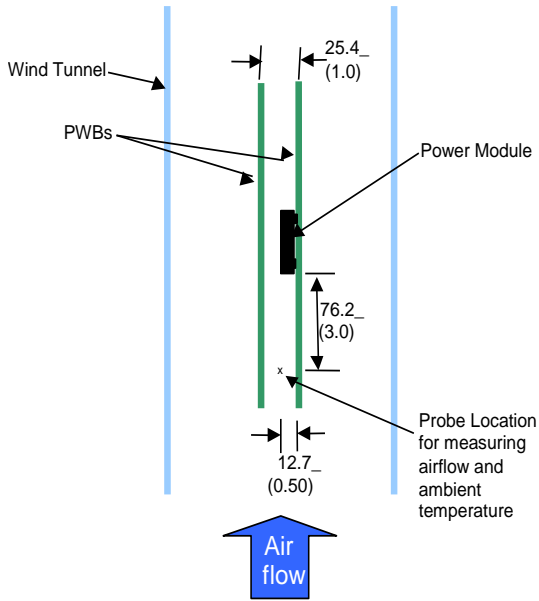


Figure 49. Thermal Test Setup.

The thermal reference points,  $T_{ref}$  used in the specifications are also shown in Figure 50. For reliable operation the temperatures at these points should not exceed 120°C. The output power of the module should not exceed the rated power of the module ( $V_{o,set} \times I_{o,max}$ ).

Please refer to the Application Note “Thermal Characterization Process For Open-Frame Board-Mounted Power Modules” for a detailed discussion of thermal aspects including maximum device temperatures.

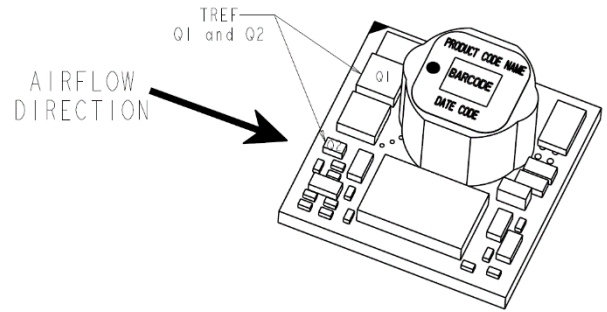


Figure 50. Preferred airflow direction and location of hot-spot of the module ( $T_{ref}$ ).

# 3A Digital PicoDLynx™: Non-Isolated DC-DC Power Modules

3Vdc –14.4Vdc input; 0.45Vdc to 5.5Vdc output; 3A Output Current

## Shock and Vibration

The ruggedized (-D version) of the modules are designed to withstand elevated levels of shock and vibration to be able to operate in harsh environments. The ruggedized modules have been successfully tested to the following conditions:

### Non operating random vibration:

Random vibration tests conducted at 25C, 10 to 2000Hz, for 30 minutes each level, starting from 30Grms (Z axis) and up to 50Grms (Z axis). The units were then subjected to two more tests of 50Grms at 30 minutes each for a total of 90 minutes.

### Operating shock to 40G per Mil Std. 810G, Method 516.4 Procedure I:

The modules were tested in opposing directions along each of three orthogonal axes, with waveform and amplitude of the shock impulse characteristics as follows:

All shocks were half sine pulses, 11 milliseconds (ms) in duration in all 3 axes.

Units were tested to the Functional Shock Test of MIL-STD-810, Method 516.4, Procedure I - Figure 516.4-4. A shock magnitude of 40G was utilized. The operational units were subjected to three shocks in each direction along three axes for a total of eighteen shocks.

### Operating vibration per Mil Std 810G, Method 514.5 Procedure I:

The ruggedized (-D version) modules are designed and tested to vibration levels as outlined in MIL-STD-810G, Method 514.5, and Procedure 1, using the Power Spectral Density (PSD) profiles as shown in Table 1 and Table 2 for all axes. Full compliance with performance specifications was required during the performance test. No damage was allowed to the module and full compliance to performance specifications was required when the endurance environment was removed. The module was tested per MIL-STD-810, Method 514.5, Procedure I, for functional (performance) and endurance random vibration using the performance and endurance levels shown in Table 7 and Table 8 for all axes. The performance test has been split, with one half accomplished before the endurance test and one half after the endurance test (in each axis). The duration of the performance test was at least 16 minutes total per axis and at least 120 minutes total per axis for the endurance test. The endurance test period was 2 hours minimum per axis.

**Table 7: Performance Vibration Qualification - All Axes**

| Frequency (Hz) | PSD Level (G <sup>2</sup> /Hz) | Frequency (Hz) | PSD Level (G <sup>2</sup> /Hz) | Frequency (Hz) | PSD Level (G <sup>2</sup> /Hz) |
|----------------|--------------------------------|----------------|--------------------------------|----------------|--------------------------------|
| 10             | 1.14E-03                       | 170            | 2.54E-03                       | 690            | 1.03E-03                       |
| 30             | 5.96E-03                       | 230            | 3.70E-03                       | 800            | 7.29E-03                       |
| 40             | 9.53E-04                       | 290            | 7.99E-04                       | 890            | 1.00E-03                       |
| 50             | 2.08E-03                       | 340            | 1.12E-02                       | 1070           | 2.67E-03                       |
| 90             | 2.08E-03                       | 370            | 1.12E-02                       | 1240           | 1.08E-03                       |
| 110            | 7.05E-04                       | 430            | 8.84E-04                       | 1550           | 2.54E-03                       |
| 130            | 5.00E-03                       | 490            | 1.54E-03                       | 1780           | 2.88E-03                       |
| 140            | 8.20E-04                       | 560            | 5.62E-04                       | 2000           | 5.62E-04                       |

**Table 8: Endurance Vibration Qualification - All Axes**

| Frequency (Hz) | PSD Level (G <sup>2</sup> /Hz) | Frequency (Hz) | PSD Level (G <sup>2</sup> /Hz) | Frequency (Hz) | PSD Level (G <sup>2</sup> /Hz) |
|----------------|--------------------------------|----------------|--------------------------------|----------------|--------------------------------|
| 10             | 0.00803                        | 170            | 0.01795                        | 690            | 0.00727                        |
| 30             | 0.04216                        | 230            | 0.02616                        | 800            | 0.05155                        |
| 40             | 0.00674                        | 290            | 0.00565                        | 890            | 0.00709                        |
| 50             | 0.01468                        | 340            | 0.07901                        | 1070           | 0.01887                        |
| 90             | 0.01468                        | 370            | 0.07901                        | 1240           | 0.00764                        |
| 110            | 0.00498                        | 430            | 0.00625                        | 1550           | 0.01795                        |
| 130            | 0.03536                        | 490            | 0.01086                        | 1780           | 0.02035                        |
| 140            | 0.0058                         | 560            | 0.00398                        | 2000           | 0.00398                        |

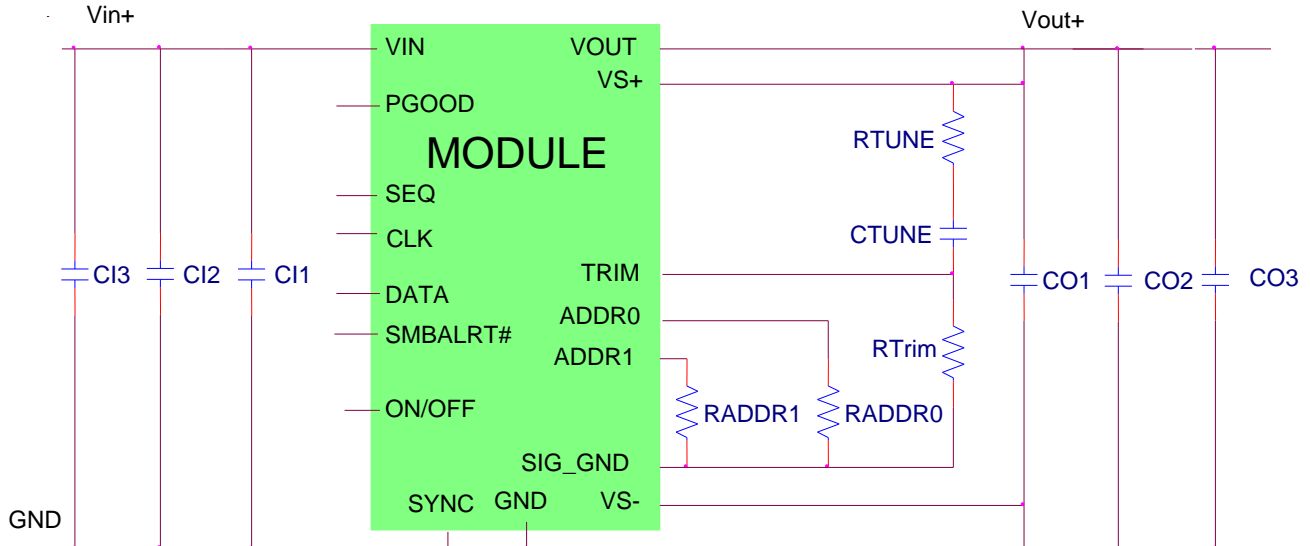
## 3A Digital PicoDLynx™: Non-Isolated DC-DC Power Modules

3Vdc –14.4Vdc input; 0.45Vdc to 5.5Vdc output; 3A Output Current

### Example Application Circuit

#### Requirements:

|                          |   |
|--------------------------|---|
| V <sub>in</sub> :        | 12V   |
| V <sub>out</sub> :       | 1.8V  |
| I <sub>out</sub> :       | 2.25A max., worst case load transient is from 1.5A to 2.25A   |
| ΔV <sub>out</sub> :      | 1.5% of V <sub>out</sub> (27mV) for worst case load transient |
| V <sub>in</sub> , ripple | 1.5% of V <sub>in</sub> (180mV, p-p)                          |



|       |   |
|-------|---|
| C1    | Decoupling cap - 1x0.047µF/16V ceramic capacitor (e.g. Murata LLL185R71C473MA01)  |
| C2    | 1x22µF/16V ceramic capacitor (e.g. Murata GRM32ER61C226KE20)                      |
| C3    | 470µF/16V bulk electrolytic   |
| CO1   | Decoupling cap - 1x0.047µF/16V ceramic capacitor (e.g. Murata LLL185R71C473MA01)  |
| CO2   | -   |
| CO3   | 1x330µF   |
| CTune | 2200pF ceramic capacitor (can be 1206, 0805 or 0603 size)                         |
| RTune | 220 ohms SMT resistor (can be 1206, 0805 or 0603 size)                            |
| RTrim | 10kΩ SMT resistor (can be 1206, 0805 or 0603 size, recommended tolerance of 0.1%) |

**Note:** The DATA, CLK and SMBALRT pins do not have any pull-up resistors inside the module. Typically, the SMBus master controller will have the pull-up resistors as well as provide the driving source for these signals.

# 3A Digital PicoDlynx™: Non-Isolated DC-DC Power Modules

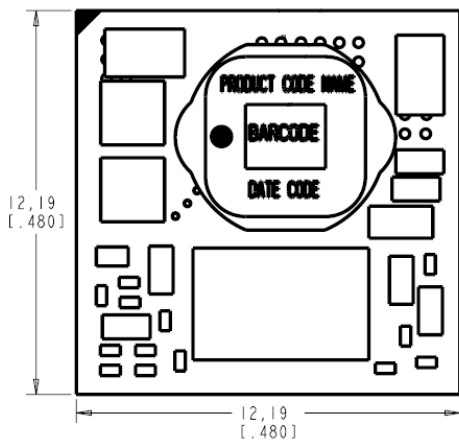
3Vdc –14.4Vdc input; 0.45Vdc to 5.5Vdc output; 3A Output Current

## Mechanical Outline

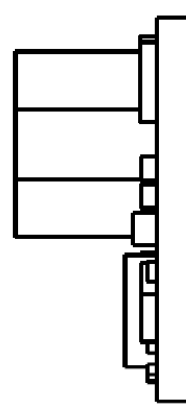
Dimensions are in millimeters and (inches).

Tolerances: x.x mm ± 0.5 mm (x.xx in. ± 0.02 in.) [unless otherwise indicated]

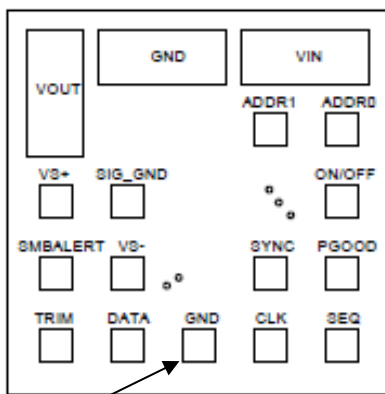
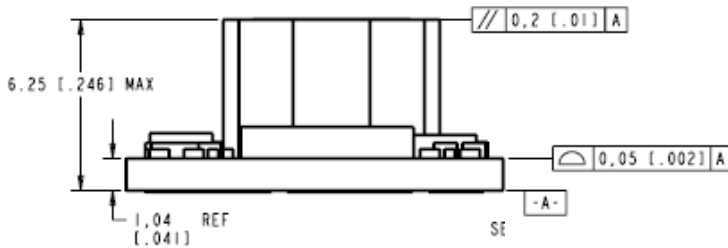
x.xx mm ± 0.25 mm (x.xxx in ± 0.010 in.)



TOP VIEW



SIDE VIEW



PIN 7

BOTTOM VIEW

| PIN | FUNCTION    | PIN | FUNCTION          |
|-----|-------------|-----|-------------------|
| 1   | ON/OFF      | 10  | PGOOD             |
| 2   | VIN         | 11  | SYNC <sup>1</sup> |
| 3   | GND         | 12  | VS-               |
| 4   | VOUT        | 13  | SIG_GND           |
| 5   | VS+ (SENSE) | 14  | SMBALERT#         |
| 6   | TRIM        | 15  | DATA              |
| 7   | GND         | 16  | ADDR0             |
| 8   | CLK         | 17  | ADDR1             |
| 9   | SEQ         |     |                   |

<sup>1</sup> If unused, connect to Ground.

# 3A Digital PicoDLynx™: Non-Isolated DC-DC Power Modules

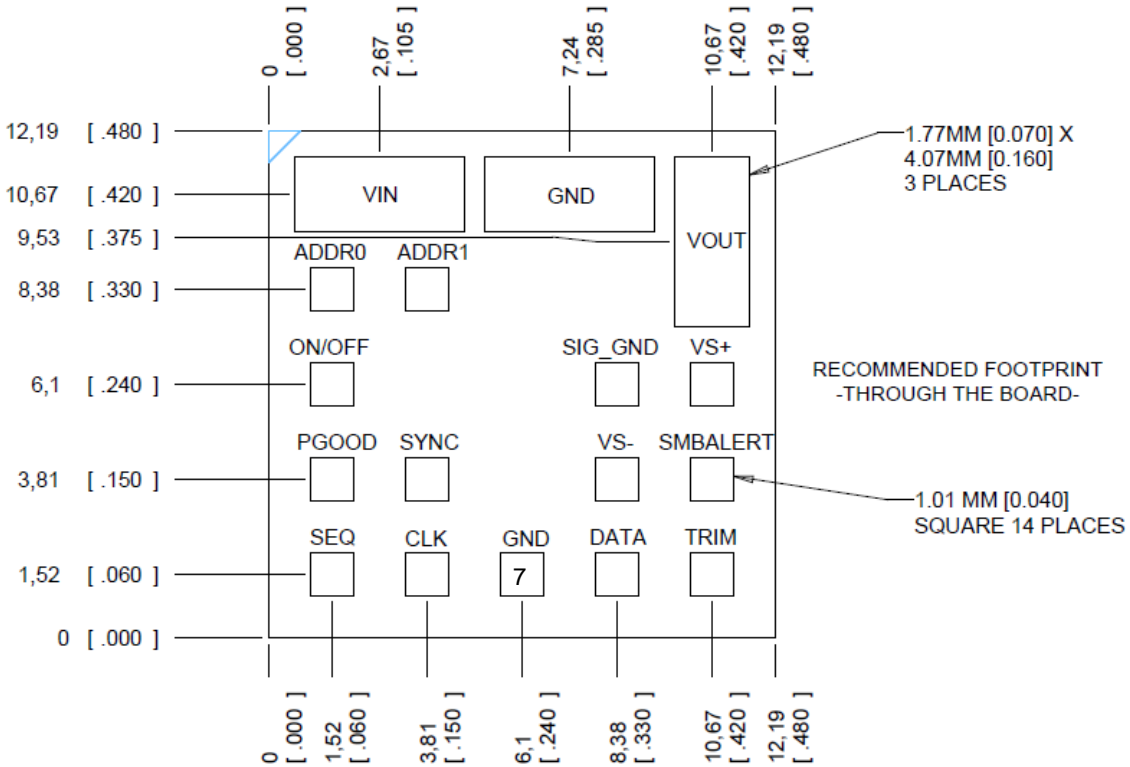
3Vdc –14.4Vdc input; 0.45Vdc to 5.5Vdc output; 3A Output Current

## Recommended Pad Layout

Dimensions are in millimeters and (inches).

Tolerances: x.x mm ± 0.5 mm (x.xx in. ± 0.02 in.) [unless otherwise indicated]

x.xx mm ± 0.25 mm (x.xxx in ± 0.010 in.)



| PIN | FUNCTION    | PIN | FUNCTION          |
|-----|-------------|-----|-------------------|
| 1   | ON/OFF      | 10  | PGOOD             |
| 2   | VIN         | 11  | SYNC <sup>2</sup> |
| 3   | GND         | 12  | VS-               |
| 4   | VOUT        | 13  | SIG_GND           |
| 5   | VS+ (SENSE) | 14  | SMBALERT#         |
| 6   | TRIM        | 15  | DATA              |
| 7   | GND         | 16  | ADDR0             |
| 8   | CLK         | 17  | ADDR1             |
| 9   | SEQ         |     |                   |

<sup>2</sup> If unused, connect to Ground

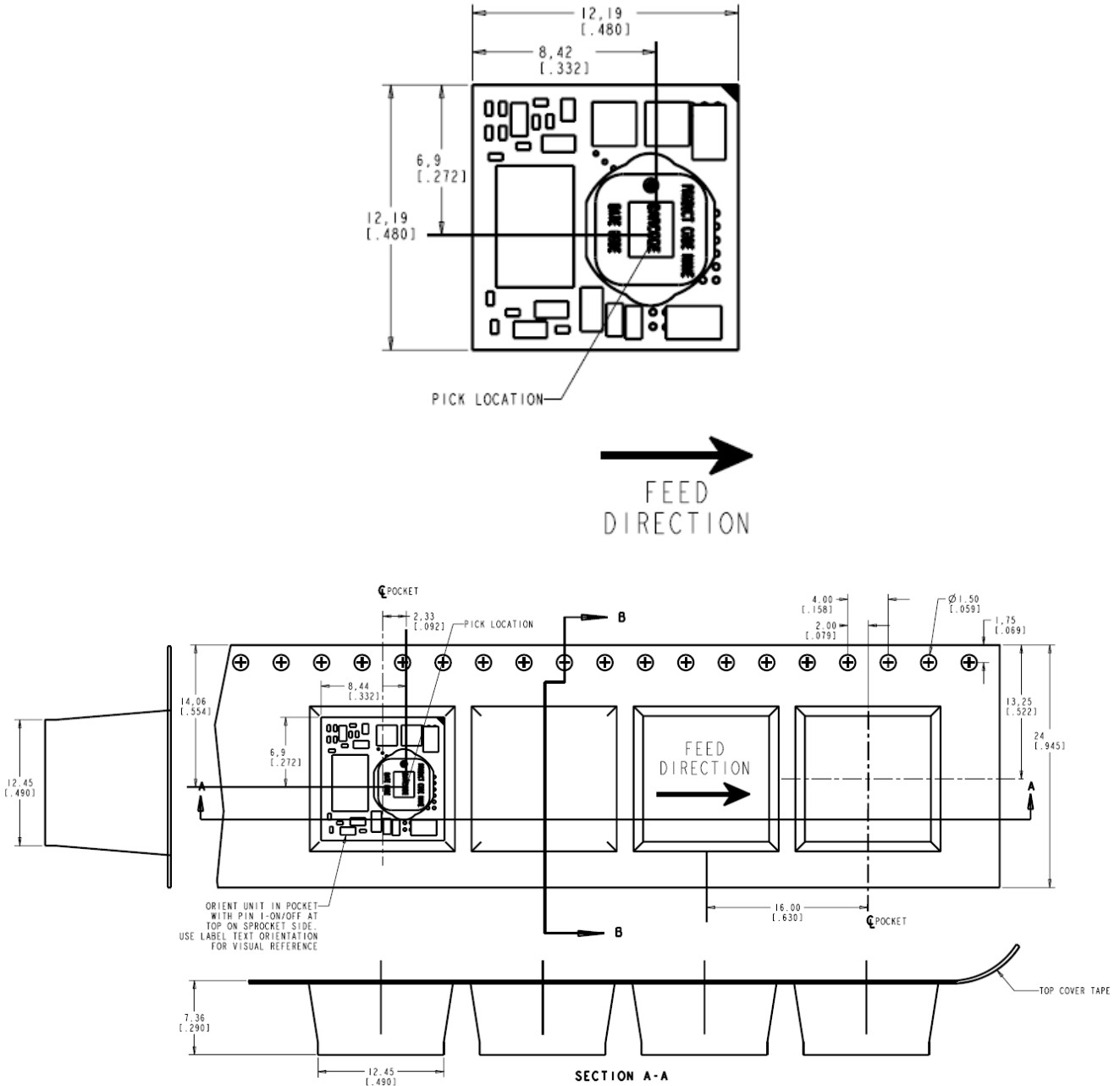
# 3A Digital PicoDlynx™: Non-Isolated DC-DC Power Modules

3Vdc –14.4Vdc input; 0.45Vdc to 5.5Vdc output; 3A Output Current

## Packaging Details

The 12V Digital PicoDlynx™ 3A modules are supplied in tape & reel as standard. Modules are shipped in quantities of 200 modules per reel.

All Dimensions are in millimeters and (in inches).



|                     |                   |
|---------------------|-------------------|
| Reel Dimensions:    |                   |
| Outside Dimensions: | 330.2 mm (13.00)  |
| Inside Dimensions:  | 177.8 mm (7.00")  |
| Tape Width:         | 24.00 mm (0.945") |

## 3A Digital PicoDLynx™: Non-Isolated DC-DC Power Modules

3Vdc –14.4Vdc input; 0.45Vdc to 5.5Vdc output; 3A Output Current

### Surface Mount Information

#### Pick and Place

The 3A Digital PicoDLynx™ modules use an open frame construction and are designed for a fully automated assembly process. The modules are fitted with a label designed to provide a large surface area for pick and place operations. The label meets all the requirements for surface mount processing, as well as safety standards, and is able to withstand reflow temperatures of up to 300°C. The label also carries product information such as product code, serial number and the location of manufacture.

#### Nozzle Recommendations

The module weight has been kept to a minimum by using open frame construction. Variables such as nozzle size, tip style, vacuum pressure and placement speed should be considered to optimize this process. The minimum recommended inside nozzle diameter for reliable operation is 3mm. The maximum nozzle outer diameter, which will safely fit within the allowable component spacing, is 7 mm.

#### Bottom Side / First Side Assembly

Only the -D version of this module can be placed at the bottom side of the customer board. No additional glue or adhesive is required is required to hold the module during the top side reflow process

#### Lead Free Soldering

The 12VDigital PicoDLynx™ 3A modules are lead-free (Pb-free) and RoHS compliant and are both forward and backward compatible in a Pb-free and a SnPb soldering process. Failure to observe the instructions below may result in the failure of or cause damage to the modules and can adversely affect long-term reliability.

#### Pb-free Reflow Profile

Power Systems will comply with J-STD-020 Rev. C (Moisture/Reflow Sensitivity Classification for Nonhermetic Solid State Surface Mount Devices) for both Pb-free solder profiles and MSL classification procedures. This standard provides a recommended forced-air-convection reflow profile based on the volume and thickness of the package (table 5-2). The suggested Pb-free solder paste is Sn/Ag/Cu (SAC). The recommended linear reflow profile using Sn/Ag/Cu solder is shown in Fig. 51. Soldering outside of the recommended profile requires testing to verify results and performance.

It is recommended that the pad layout include a test pad where the output pin is in the ground plane. The

thermocouple should be attached to this test pad since this will be the coolest solder joints. The temperature of this point should be:

Maximum peak temperature is 260 C.

Minimum temperature is 235 C.

Dwell time above 217 C: 60 seconds minimum Dwell time

above 235 C: 5 to 15 second

#### MSL Rating

The 3A Digital PicoDLynx™ modules have a MSL rating of 2a.

#### Storage and Handling

The recommended storage environment and handling procedures for moisture-sensitive surface mount packages is detailed in J-STD-033 Rev. B (Handling, Packing, Shipping and Use of Moisture/Reflow Sensitive Surface Mount Devices). Moisture barrier bags (MBB) with desiccant are required for MSL ratings of 2 or greater. These sealed packages should not be broken until time of use. Once the original package is broken, the floor life of the product at conditions of  $\leq 30^{\circ}\text{C}$  and 60% relative humidity varies according to the MSL rating (see J-STD-033A). The shelf life for dry packed SMT packages will be a minimum of 12 months from the bag seal date, when stored at the following conditions:  $< 40^{\circ}\text{C}$ ,  $< 90\%$  relative humidity.

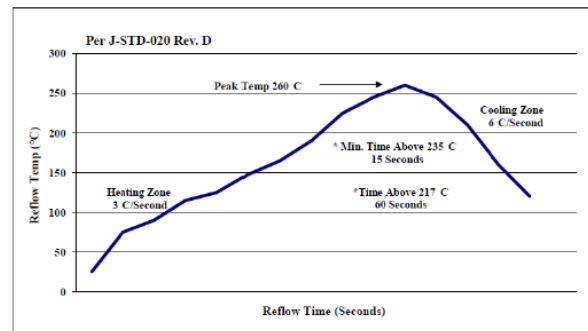


Figure 51. Recommended linear reflow profile using Sn/Ag/Cu solder.

#### Post Solder Cleaning and Drying Considerations

Post solder cleaning is usually the final circuit-board assembly process prior to electrical board testing. The result of inadequate cleaning and drying can affect both the reliability of a power module and the testability of the finished circuit-board assembly. For guidance on appropriate soldering, cleaning and drying procedures, refer to *Board Mounted Power Modules: Soldering and Cleaning Application Note (AN04-001)*.

# 3A Digital PicoDlynx™: Non-Isolated DC-DC Power Modules

3Vdc –14.4Vdc input; 0.45Vdc to 5.5Vdc output; 3A Output Current

## Ordering Information

Please contact your GE Sales Representative for pricing, availability and optional features.

**Table 9. Device Codes**

| Device Code     | Input Voltage Range | Output Voltage | Output Current | On/Off Logic | Sequencing | Comcodes    |
|-----------------|---------------------|----------------|----------------|--------------|------------|-------------|
| PDT003A0X3-SRZ  | 3 – 14.4Vdc         | 0.45 – 5.5Vdc  | 3A             | Negative     | Yes        | CC109159546 |
| PDT003A0X3-SRDZ | 3 – 14.4Vdc         | 0.45 – 5.5Vdc  | 3A             | Negative     | Yes        | 150021796   |
| PDT003A0X43-SRZ | 3 – 14.4Vdc         | 0.45 – 5.5Vdc  | 3A             | Positive     | Yes        | CC109159554 |

-Z refers to RoHS compliant parts

**Table 10. Coding Scheme**

| Package Identifier                    | Family                               | Sequencing Option                          | Output current | Output voltage          | On/Off logic                        | Remote Sense     | Options                              |   | ROHS Compliance |
|---------------------------------------|--------------------------------------|--|----------------|-------------------------|-------------------------------------|------------------|--------------------------------------|---|-----------------|
| <b>P</b>                              | <b>D</b>                             | <b>T</b>                                   | <b>003A0</b>   | <b>X</b>                | <b>4</b>                            | <b>3</b>         | <b>-SR</b>                           | <b>-D</b>   | <b>Z</b>        |
| P=Pico<br>U=Micro<br>M=Mega<br>G=Giga | D=Dlynx Digital<br>V = Dlynx Analog. | T=with EZ Sequence<br>X=without sequencing | 3A             | X = programmable output | 4 = positive<br>No entry = negative | 3 = Remote Sense | S = Surface Mount<br>R = Tape & Reel | D = 105°C operating ambient, 40G operating shock as per MIL Std 810G, placement on bottom side of board | Z = ROHS6       |

ABB Power Electronics Inc.'s digital non-isolated DC-DC products may be covered by one or more of the following patents licensed from Bel Power Solutions, Inc.: US20040246754, US2004090219A1, US2004093533A1, US2004123164A1, US2004123167A1, US2004178780A1, US2004179382A1, US20050200344, US20050223252, US2005289373A1, US20060061214, US2006015616A1, US20060174145, US20070226526, US20070234095, US20070240000, US20080052551, US20080072080, US20080186006, US6741099, US6788036, US6936999, US6949916, US7000125, US7049798, US7068021, US7080265, US7249267, US7266709, US7315156, US7372682, US7373527, US7394445, US7456617, US7459892, US7493504, US7526660.

Outside the US Bel Power Solutions, Inc. licensed technology is protected by patents: AU3287379AA, AU3287437AA, AU3290643AA, AU3291357AA, CN10371856C, CN10452610C, CN10458656C, CN10459360C, CN10465848C, CN11069332A, CN11124619A, CN11346682A, CN1685299A, CN1685459A, CN1685582A, CN1685583A, CN1698023A, CN1802619A, EP1561156A1, EP1561268A2, EP1576710A1, EP1576711A1, EP1604254A4, EP1604264A4, EP1714369A2, EP1745536A4, EP1769382A4, EP1899789A2, EP1984801A2, W004044718A1, W004045042A3, W004045042C1, W004062061 A1, W004062062A1, W004070780A3, W004084390A3, W004084391A3, W005079227A3, W005081771A3, W006019569A3, W02007001584A3, W02007094935A3

## Contact Us

For more information, call us at

USA/Canada:

**+1 888 546 3243**, or +1 972 244 9288

Asia-Pacific:

**+86-21-53899666**

Europe, Middle-East and Africa:

**+49.89.878067-280**

[Go.ABB/Industrial](http://Go.ABB/Industrial)



GE Critical Power reserves the right to make changes to the product(s) or information contained herein without notice, and no liability is assumed as a result of their use or application. No rights under any patent accompany the sale of any such product(s) or information.



## X-ON Electronics

Largest Supplier of Electrical and Electronic Components

*Click to view similar products for [Non-Isolated DC/DC Converters](#) category:*

*Click to view products by [ABB](#) manufacturer:*

Other Similar products are found below :

[PSR152.5-7IR](#) [APTH003A0X-SRZ](#) [SPM1004-3V3C](#) [R-785.0-05](#) [10E24-P15-10PPM](#) [1E24-P4-25PPM-SHV-5KV](#) [CA-17205-L4](#)  
[PROPOWER-3.3V](#) [MYGTM01210BZN](#) [JRCS016A0S4-HZ](#) [3V12-N0.8](#) [6AA24-P30-I5-M](#) [BM2P101X-Z](#) [ROF-78E12-0.5SMD-R](#)  
[RPMA5.0-8.0/OF](#) [RPX-4.0-CT](#) [PTV03010WAD](#) [PTV05020WAH](#) [PTV12010LAH](#) [PTV12020WAD](#) [R-7212D](#) [R-7212P](#) [R-78AA5.0-](#)  
[1.0SMD](#) [30A24-N15-E](#) [10A12-P4-M](#) [10C24-N250-I5](#) [10C24-P125](#) [10C24-P250-I5](#) [6A24-P20-I10-F-M-25PPM](#) [1A24-P30-F-M-C](#) [TSR 1-](#)  
[24150SM](#) [1/2AA24-N30-I10](#) [1C24-N125](#) [12C24-N250](#) [V7806-1500](#) [PTV12020LAH](#) [PTV05010WAH](#) [PTN04050CAZT](#) [PTH12020WAD](#)  
[PTH12020LAS](#) [PTH05T210WAH](#) [PTH05030WAZ](#) [V7803-2000R](#) [AXA005A0XZ](#) [NSR020A0X43Z](#) [TPS82677SIPR](#) [OKR-T/30-W12-C](#)  
[NID30S24-15](#) [NID30S48-24](#) [LXDC2HL25A-053](#)