

Shield-Kon® Shield Termination System

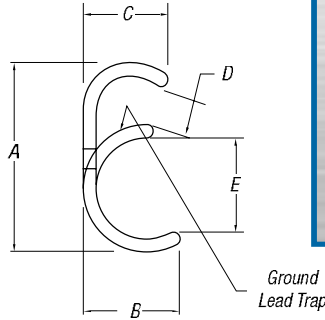
Maintains voltage and is easy to install!

Shield-Kon® RSK Connectors

How to use connector die and tool selection chart:

1. Use a calibrated measuring tool lightly over shield for most accurate measurement. Rotate shielded wire to pick up high spots on cable. Use "Shield Diameter" column to match the measured dimension.
2. Select connector and die for ERG740 tool.

Note: 1. Do not solder-dip ends of ground leads.
2. For ground wire combinations not covered in table, consult Technical Service.



One-Piece Shield-Kon® Connectors & Die Selection Table

CONNECTOR & COLOR CAT. NO.	SHIELD DIAMETER	METAL DIES FOR ERG740	GROUND WIRE RANGE	APPLICATION TOOL CAT. NO.
RSK101 Red	1.27–1.78mm (.050–.070 in.)	D-101A	(1) or (2) #24 AWG Str.	Hand Tool ERG740
	1.80–2.26mm (.071–.089 in.)	D-101B	or (1) #22 AWG Str.	
RSK201 Blue	2.29–2.54mm (.090–.100 in.)	D-201C	(1) or (2) #22 AWG Str. or (1) #20 AWG Str.	
	2.56–3.00mm (.101–.118 in.)	D-201D		
	3.022–3.33mm (.119–.131 in.)	D-201E		
	3.35–3.63mm (.132–.143 in.)	D-201F		
RSK301 Yellow	3.66–4.11mm (.144–.162 in.)	D-301G	(1) or (2) #22 AWG Str. or (1) or (2) #20 AWG Str.	
	4.14–4.70mm (.163–.185 in.)	D-301H		
	4.72–5.10mm (.186–.201 in.)	D-301J		
RSK401 Green	5.13–5.84mm (.202–.230 in.)	D-401K	(1) or (2) #20 AWG Str. or (1) #18 AWG Str.	
	5.87–6.35mm (.231–.250 in.)	D-401L		
	6.37–6.98mm (.251–.275 in.)	D-401M		
	7.01–7.62mm (.276–.300 in.)	D-401N		

CAT. NO.	COLOR	DIMENSIONS (IN.)					THICKNESS	STD. PKG.
		A	B	C	D	E		
RSK-101	Red	.31	.16	.18	.06	.15	.02	1,000
RSK-201	Blue	.38	.22	.18	.06	.18	.02	1,000
RSK-301	Yellow	.47	.28	.24	.07	.22	.03	1,000
RSK-401	Green	.69	.43	.37	.08	.37	.03	500

Order multiple is std. pkg.

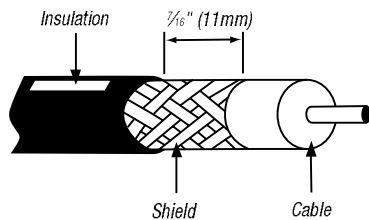
Shield-Kon® Shield Termination System

Installation that's as easy as 1-2-3!

Installation Methods

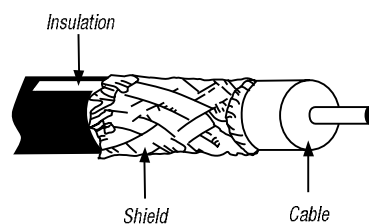
Standard Method

Use the standard method when the shielded cable or the inner conductors are embedded in a dielectric.



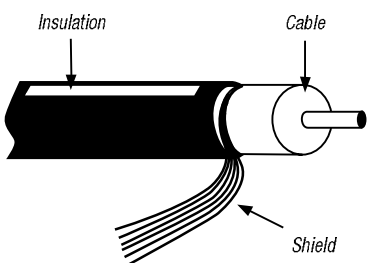
Fold-Back Method 1

If there is no common dielectric for several interior cables but the gaps are filled by textile threads or something similar, care should be taken to ensure that the insulating thickness of the individual cables is not less than .38mm for PVC, and not less than .25mm for Teflon. If this insulation thickness falls below this value, Fold-Back Method 1 should be used.



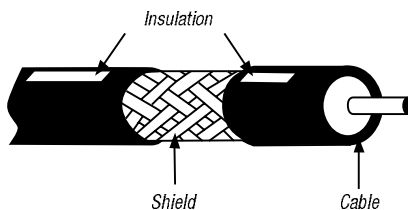
Fold-Back Method 2

Fold-Back Method 2 should be used if the cable shield is applied spirally or if a foil shield is being used.



Mid-Span Method

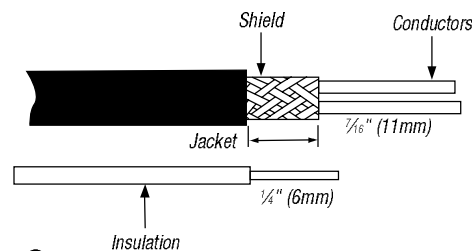
Enables installation anywhere along the cable.



Installation Procedure

Step 1

Prepare shielded wire and ground wire insulation as shown. If two ground wires are required in a Shield-Kon® connection, twist both conductors before insertion into the connector.

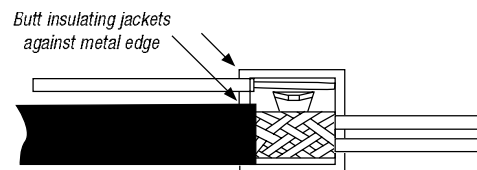


Step 2

Select the appropriate connector according to the size of the shielded cable (see **page G-80**). Place the ground wire around the trap hook and the shielded wire into the bottom of the connector.

When inserting the shielded cable and grounding wire, care must be taken to ensure that their insulation is overlapped by the connector's Polyester insulation film.

100% insulation is possible after crimping when the stripped length of outer jacket (visible shielding) is 7/16\"/>

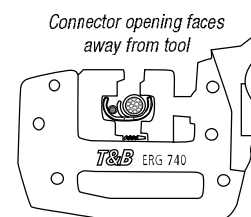


For a complete listing of One-Piece Connectors, see page G-80.

Step 3

Select the appropriate die set for the crimp tool, according to the size of the shielded cable (see **page G-80**) and mount the dies on the tool. Insert the connector (with the shielded cable and the ground wire) between the dies of the tool.

Squeeze the tool handles firmly to crimp the connector around the shielding and the ground wire.



For a complete listing of One-Piece Connector Dies, see page G-80.

Shield-Kon® Shield Termination System

Comfort and versatility!

Shield-Kon® Ergonomic Hand Tool for One-Piece Connectors

- Robust construction: metallic frame, partially covered with plastic
- Use with metal dies for low-, medium- or high-volume applications
- All dies are easily interchangeable (to be ordered separately)
- Parallel action crimp
- ShureStake® mechanism: once pressing has commenced, the tool can be re-opened only after successful completion of the crimping cycle



CAT. NO.	DESCRIPTION	STD. PKG.
ERG740	Ergonomic Hand Tool	1

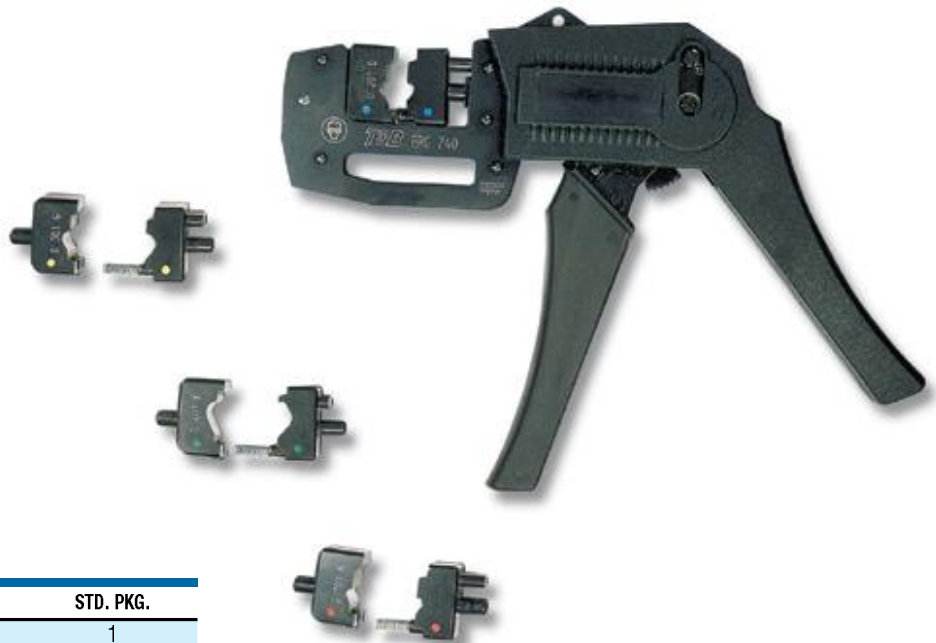
..... Specifications

- Dimensions of Tool: 8.27"L x 6.10"W x .98"H
- Weight of Tool: 1.04 lbs.

Everything you need in a handy kit!

Ergonomic Hand Tool Kit

Same as ERG740, but supplied in a plastic case with one tool, one benchmount stand for easier use in mass production, one RSK-LEHRE gauge for instant selection of the die and four metal dies: D-101A, D-201C, D-301J, D-401M.



..... Specifications

- Dimensions of Plastic Case: 9.65"L x 8.27"W x 2.17"H
- Weight of Plastic Case & Contents: 2.65 lbs.

CAT. NO.	DESCRIPTION	STD. PKG.
ERG740-01	Ergonomic Hand Tool Kit	1

Shield-Kon® Shield Termination System

Metal Dies for ERG740

- For mass production and medium to high volumes
- Made of hardened steel — does not wear
- Only for the ERG740 hand tool
- The Product Ref. is engraved on the upper part and on the lower part of the die set
- Marked with a dot having the same color as the corresponding connector
- Weight — approximately 2.6 oz.

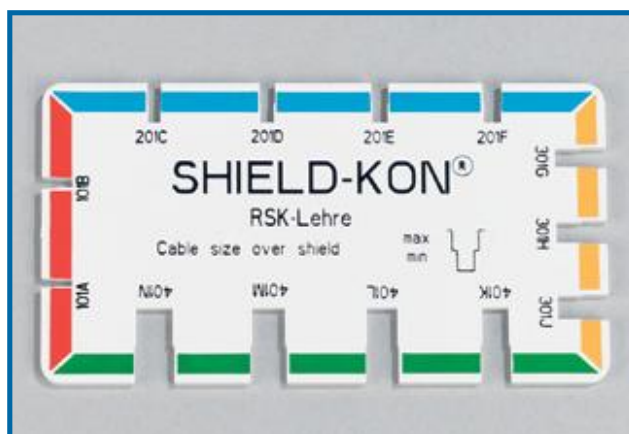


DIE CAT. NO.	DIE COLOR	SHIELD DIAMETER (IN.)	FOR CONNECTOR	STD. PKG.
D-101A	Red	.050-.070	RSK 101 Red	1
D-101B		.071-.089	RSK 101 Red	1
D-201C	Blue	.090-.100	RSK 202 Blue	1
D-201D		.101-.118	RSK 202 Blue	1
D-201E		.119-.131	RSK 202 Blue	1
D-201F		.132-.143	RSK 202 Blue	1
D-301G	Yellow	.144-.162	RSK 301 Yellow	1
D-301H		.163-.185	RSK 301 Yellow	1
D-301J		.186-.201	RSK 301 Yellow	1
D-401K	Green	.202-.230	RSK 401 Green	1
D-401L		.231-.250	RSK 401 Green	1
D-401M		.251-.275	RSK 401 Green	1
D-401N		.276-.300	RSK 401 Green	1

Order multiple is std. pkg.

Select the connectors you need quickly!

RSK-LEHRE Gauge



The choice of the appropriate connector and die set mainly depends on the size of the shielded cable. The selection can be done very quickly with the RSK-LEHRE gauge.

- 1 Remove the outer jacket from the shielded cable, making the shielding visible.
- 2 Insert this stripped end of the cable into the slots located around the gauge. The correct slot will be found when the cable can slide only in the upper part of the slot. If the cable can slide completely to the bottom of the slot, you should try with the smaller adjacent slot.
- 3 Once the appropriate slot is found, the corresponding RSK connector is defined by the color of the strip around the slot, whereas the corresponding plastic die set is given by the number marked below the slot (for the metal die set, add prefix "D" to this number).
- 4 The table on page G-80 summarizes the different combinations of connector/die set, as well as the size of ground wire that can be used.

CAT. NO.	DESCRIPTION	STD. PKG.
RSK-LEHRE	Connector & Die Gauge	1

X-ON Electronics

Largest Supplier of Electrical and Electronic Components

Click to view similar products for [ABB manufacturer:](#)

Other Similar products are found below :

[TY27MX](#) [TV10-516R](#) [017667013](#) [RF727](#) [2CMA100178R1000](#) [ACS150-01E-09A8-2](#) [ACS355-03E-15A6-4](#) [KS70-1104](#) [A75-30-11-230V-50HZ](#) [CP1-10Y-20](#) [10-100](#) [5SDD](#) [92Z0401](#) [ESV14-BS](#) [EZS-21-250](#) [F204AC-40/0.1](#) [F362-25/0.03](#) [A40-30-10-84](#) [AF09-30-01-11](#)
[AF460-30-11-68](#) [AF50-30-11-70](#) [1455](#) [EF45-30](#) [ERG297](#) [18RA-10](#) [HSC2-20](#) [1SAM201904R1001](#) [1SAM350000R1003](#) [1SAZ721201R1009](#)
[1SAZ721201R1014](#) [1SAZ721201R1025](#) [1SDA057197R1](#) [1SFA611101R1002](#) [1SFA611130R1103](#) [1SFA611143R1101](#) [1SFA611201R1006](#)
[1SFA611202R1001](#) [1SFA611202R1007](#) [1SFA611202R1103](#) [1SFA611202R1108](#) [1SFA611203R1108](#) [1SFA611204R1007](#)
[1SFA611205R1006](#) [1SFA611205R1103](#) [1SFA611205R1104](#) [1SFA611210R1101](#) [1SFA611210R1108](#) [1SFA611211R1001](#)
[1SFA611211R1006](#) [1SFA611211R1007](#) [1SFA611211R1102](#)