



**Pin Terminals**  
**T&B Catalog Number:**

TV14-12PT-XV

**UPC Number:**

72849414465

**Status:**

Active

**Description:**

Insulated Vinyl Pin Terminals for Wire Range 16-14, Blue, Canister  
**Features**

For Use in Pin-Style terminal blocks. Molded Funnel Entry Insulator. Brazed Seam. Internal Barrel Serrations.

**General**

Insulation Type	Insulated Vinyl
Material	Copper
Finish	Electro -Tin Plated
Color	Blue
Wire Range	16-14

**Dimension Information**

d1 (inches)	.067
D (inches)	.177
E (inches)	.433
F (inches)	.472
L (inches)	.898
T (inches)	.030
W (inches)	.075

**Specifications**

Temperature Rating	75°C
Voltage Rating	600V
Flammability Rating	UL 94 V-0

**Tooling**

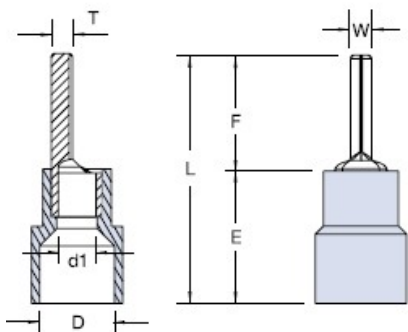
Application Tools	WT112M, CM2000A
-------------------	-----------------

**Packaging**

T&B Order Multiple	75
T&B Inner Pack	75
Package in Units	900
Package Type	Canister
T&B Sold in UOM	Each
T&B Weight Per UOM	5 lbs. per 1000
Alternate Package Qty	TV1412PTL

**Certifications**

RoHS Compliance	Yes
-----------------	-----



**For further technical assistance, please contact us...**

Thomas & Betts - USA  
 8155 T&B Blvd.  
 Memphis, TN 38125  
 www.tnb.com

T&B Technical Support  
 MS 3B-50  
 8155 T&B Blvd.  
 Memphis, TN 38125

Hours: 7AM - 6PM CDT  
 Monday-Friday  
 Phone: (888) 862-3289  
 Fax: (901) 252-1321  
 Email:techsupport@tnb.com

## X-ON Electronics

Largest Supplier of Electrical and Electronic Components

*Click to view similar products for [abb](#) manufacturer:*

Other Similar products are found below :

[TV10-516R](#) [017667013](#) [RF727](#) [2CMA100178R1000](#) [5SDD 92Z0401](#) [ESV14-BS](#) [EZS-21-250](#) [F204AC-40/0.03](#) [F362-25/0.03](#)

[GJL1211001R0011](#) [GJL1211201R8000](#) [GJL1211501R8000](#) [GJL1213001R0017](#) [GJL1213001R0101](#) [GJL1311001R0101](#) [GJL1311001R8010](#)

[GJL1311201R0001](#) [GJL1313001R0011](#) [GJL1313001R0101](#) [GJL1317201R0001](#) [A40-30-10-84](#) [AF09-30-01-11](#) [AF460-30-11-68](#) [1455](#) [B14-](#)

[250](#) [EF45-30](#) [ERG297](#) [HSC2-20](#) [1SAM201904R1001](#) [1SAM350000R1003](#) [1SAZ721201R1009](#) [1SAZ721201R1014](#) [1SAZ721201R1025](#)

[1SDA057197R1](#) [1SFA611101R1002](#) [1SFA611130R1103](#) [1SFA611131R1101](#) [1SFA611143R1101](#) [1SFA611202R1108](#) [1SFA611203R1108](#)

[1SFA611215R1001](#) [1SFA611216R1108](#) [1SFA611285R1002](#) [1SFA611702R6006](#) [1SFA616162R1025](#) [1SFA619100R3015](#)

[1SVR730020R0200](#) [IPC4111](#) [OS30FACC12](#) [OS60GJ03](#)