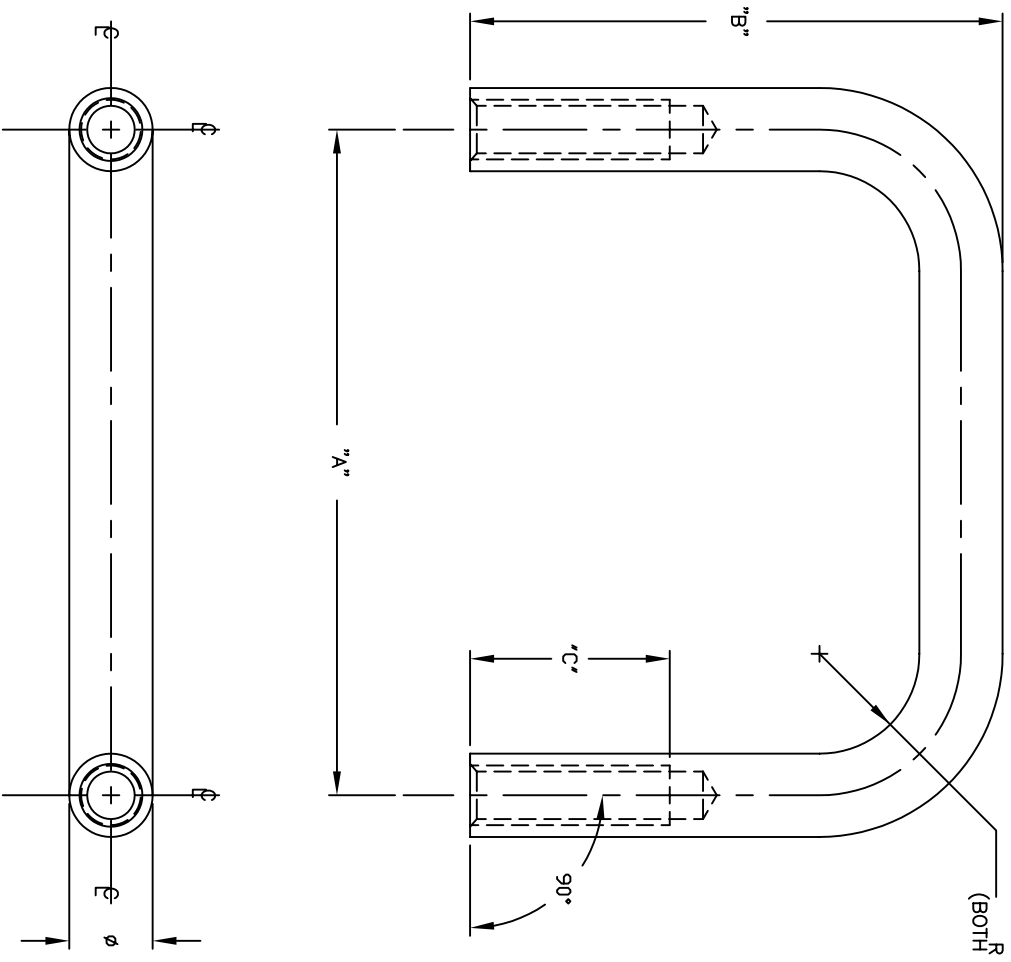


REVISIONS		REVISED BY	DATE	APPR
SYM	DESCRIPTION			



PART#	MAT.	FINISH	HEIGHT	RADIUS	MNT CENTER	THD & DEPTH
			"B"	"R"	"A"	"C"
5/32 DIAMETER						
1633	BRASS	BLK ZINC	1"	3/16"	2"	4-40x3/8"
1632	BRASS	CHROME				
1634	ALUMINUM	SATIN				
1635	ALUMINUM	BLK ANODIZED				
1637	BRASS	BLK ZINC	1"	3/16"	2"	4-40x3/8"
1636	BRASS	CHROME				
1638	ALUMINUM	SATIN				
1639	ALUMINUM	BLK ANODIZED				
1641	BRASS	BLK ZINC	1"	3/16"	2"	4-40x3/8"
1640	BRASS	CHROME				
1642	ALUMINUM	SATIN				
1643	ALUMINUM	BLK ANODIZED				
1/4 DIAMETER						
1617	BRASS	BLK ZINC	1-1/2"	1/4"	2"	8-32x9/16"
1616		CHROME				
1621		BLK ZINC				
1620	BRASS	CHROME	1-1/2"	1/4"	2"	8-32x9/16"
2057	BRASS	CHROME				
1604	BRASS	BLK ZINC				
2056	BRASS	CHROME	1-1/2"	1/4"	2"	8-32x9/16"
2057	BRASS	CHROME				
1604	BRASS	BLK ZINC				
2056	BRASS	CHROME	1-1/2"	1/4"	2"	8-32x9/16"
2057	BRASS	CHROME				
1604	BRASS	BLK ZINC				

MATERIAL: "SEE TABLE"		FINISH: "SEE TABLE"	
DIMENSIONAL TOLERANCES UNLESS OTHERWISE SPECIFIED			
XX	XXX	XXXX	
---	---	---	---
FRACTIONS	ANGLES	SCALE	
---	---	4:1	
HEAT TREAT:	---		
PLOT SCALE:	1=1		
DRAWN: E. MCKINNEY DATE: 02-17-92		SIZE: B	
CHECKED: E. MCKINNEY DATE: 02-17-92		DRAWING NUMBER: SD: HANDLES	
APPROVED: D. MILLER DATE: 02-17-92		ISSUE: E	

**ABBATRON**  
Electronic Connectors and Hardware  
13680 S. MOSERTOWN RD  
MEADVILLE, PA 16335

## X-ON Electronics

Largest Supplier of Electrical and Electronic Components

*Click to view similar products for [Adafruit Accessories](#) category:*

*Click to view products by [Abbatron](#) manufacturer:*

Other Similar products are found below :

[3015](#) [3209](#) [2998](#) [3561](#) [2974](#) [3182](#) [3290](#) [2755](#) [3560](#) [3562](#) [2503](#) [3548](#) [3011](#) [3597](#) [3048](#) [2776](#) [3299](#) [2973](#) [2922](#) [2958](#) [2860](#) [2836](#) [3558](#)  
[2686](#) [2968](#) [2972](#) [2969](#) [2871](#) [2851](#) [2873](#) [2895](#) [3610](#) [2939](#) [2698](#) [3568](#) [2869](#) [2866](#) [3551](#) [2858](#) [2855](#) [3590](#) [3447](#) [3581](#) [3353](#) [2744](#) [3585](#)  
[3584](#) [3552](#) [3484](#) [2865](#)