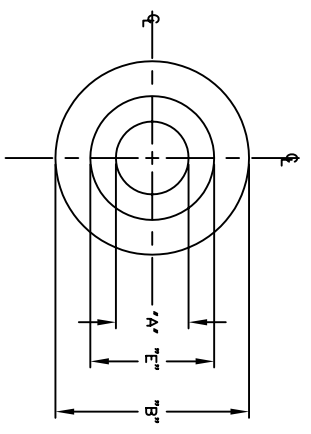
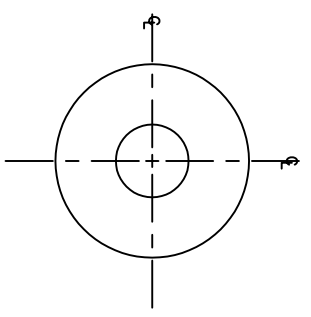
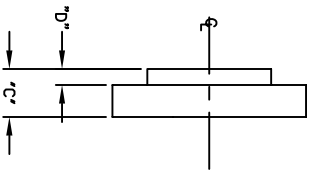
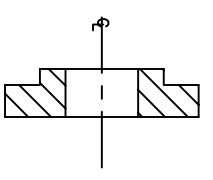


FULL SECTION



PART # FIBRE	PART # NYLON	DIM. "A"	DIM. "B"	DIM. "C"	DIM. "D"	DIM. "E"	SCREW CLR.
2171	2651	.093	.250	.055	.025	.154	#2
2151	2661	.115	.250	.062	.031	.187	#4
2152	2662	.141	.250	.093	.031	.187	#6
2153	2663	.141	.312	.093	.031	.187	#6
2150	2660	.141	.375	.093	.031	.240	#6
2155	2665	.167	.375	.093	.031	.246	#8
2156	2666*	.193	.375	.093	.031	.308	#10
2154	2664	.253	.500	.093	.031 MIN.	.309	#10
2159	2669	.265	.500	.097	.031	.365	#16
2157	2667	.378	.750	.093	.031	.498	3/8"
2158	2668	.385	.625	.093	.031	.498	3/8"

NOTES:

- 1) MATERIALS
FIBRE: BLACK OR GREY, COMMERCIAL VULCANIZED FIBRE
NYLON: NATURAL ZYTEL 101, RATED 94W2, PER ASTM-D4066
- 2) FIBRE WASHERS ARE NON-STANDARD, SPECIAL ORDER

MATERIAL	"SEE TABLE"	FINISH	"SEE TABLE"
DIMENSIONAL TOLERANCES	TITLE		
UNLESS OTHERWISE SPECIFIED	2150 SERIES, 2171, 2651, 2660 SERIES SHOULDER WASHER		
.XX	.XXX	.XXX	
---	---	---	
FRACTIONS	SCALE	DATE	DATE
---	5:1	4/21/93	5-20-93
HEAT TREAT	NONE	DRAWN	J. TEASDALE
PLAT SCALE	1:1	CHECKED	E. MCKINNEY
		APPROVED	J. TEASDALE
		DATE	5-25-93
		SIZE	C
		DRAWING NUMBER	SD: SMP-00267
		ISSUE	B

ABBATRON

Electronic Connectors and Hardware
632 Arch Street, Meadville, Pa. 16335

X-ON Electronics

Largest Supplier of Electrical and Electronic Components

Click to view similar products for [Standoffs & Spacers](#) category:

Click to view products by [Abbatron](#) manufacturer:

Other Similar products are found below :

[M0513-3-N](#) [M0516-3-N](#) [M0517-3-N](#) [M0518-3-N](#) [M0521-3-N](#) [M0524-3-N](#) [M0532-35-AL](#) [M0532-35-N](#) [M0543-4-AL](#) [M0544-35-N](#) [M0544-3-N](#) [M0545-3-AL](#) [M0553-3-N](#) [M0564-4-N](#) [M0608-5-SS](#) [M0609-5-SS](#) [M0610-35-AL](#) [M0613-3-N](#) [M0651-5-SS](#) [M0653-35-N](#) [M0654-4-SS](#) [M0655-5-AL](#) [M0655-5-N](#) [M0660-4-AL](#) [M0660-4-N](#) [M0670-35-N](#) [M0671-5-N](#) [M0671-5-SS](#) [M0722-5-N](#) [M0725-6-N](#) [M0731-4-N](#) [M0904-B-25-AL](#) [M1273-2545-AL](#) [M1273-3005-AL](#) [M1303-3506-AL](#) [M1307-3506-AL](#) [M1313-3005-N](#) [M1313-4007-AL](#) [M1314-3005-AL](#) [M1314-3005-SS](#) [M1315-3005-SS](#) [M1315-4007-N](#) [M1317-3506-AL](#) [M1317-4007-SS](#) [M1318-3005-SS](#) [M1320-3005-AL](#) [M1320-3005-N](#) [M1321-3005-SS](#) [M1321-4007-AL](#) [M1322-4007-N](#)