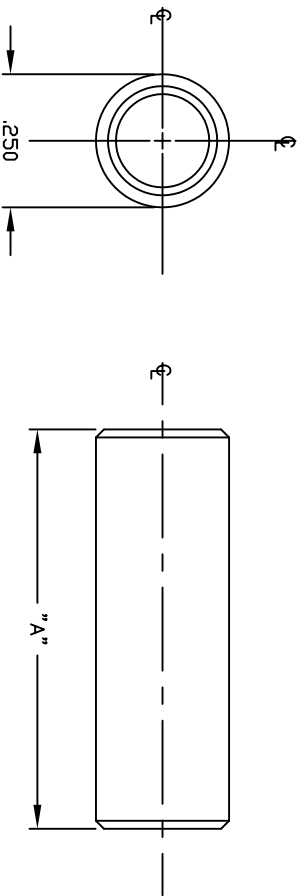
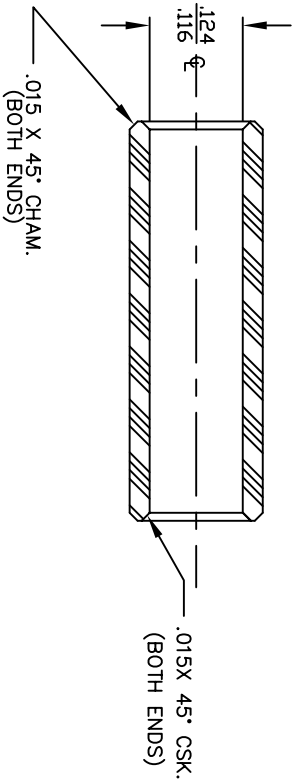


| REVISIONS | | REVISED BY | DATE | APPR |
|-----------|-------------|------------|------|------|
| SYM | DESCRIPTION | | | |



| PART NO. | DIM "A" |
|----------|---------|
| 8480 | .125 |
| 9200 | .187 |
| 8481 | .250 |
| 9201 | .312 |
| 8482 | .375 |
| 9202 | .437 |
| 8483 | .500 |
| 9203 | .562 |
| 8484 | .625 |
| 9204 | .687 |
| 8485 | .750 |
| 9205 | .812 |
| 8486 | .875 |
| 9206 | .937 |
| 8487 | 1.000 |
| 8480R | 1.125 |
| 8488 | 1.250 |
| 8480T | 1.375 |
| 8489 | 1.500 |
| 8480V | 1.625 |
| 8490 | 1.750 |
| 8480X | 1.875 |
| 8491 | 2.000 |

| | | | |
|--|------|-----------------------|----------------|
| MATERIAL ALUMINUM ALLOY 2011 T3 | | FINISH CLEAR CHROMATE | |
| DIMENSIONAL TOLERANCES UNLESS OTHERWISE SPECIFIED | | TITLE | |
| .XX | .XXX | ALUMINUM ROUND 1/4" | |
| --- | --- | SPACERS | |
| FRACTIONS | | #4 CLEARANCE | |
| --- | --- | SCALE | |
| --- | --- | NONE | |
| HEAT TREAT | --- | DRAWN: T. LORD | DATE 02/10/03 |
| PLOT SCALE: | 1=1 | CHECKED: T. LORD | DATE 02/10/03 |
| | | APPROVED: T. LORD | DATE 02/10/03 |
| ABBATRON Electronic Connectors and Hardware 632 Arch Street, Meadville, Pa. 16335 | | SIZE | DRAWING NUMBER |
| | | B | SD: SMP-00404 |
| | | ISSUE | A |

X-ON Electronics

Largest Supplier of Electrical and Electronic Components

Click to view similar products for [RF Connectors / Coaxial Connectors](#) category:

Click to view products by [Abbatron](#) manufacturer:

Other Similar products are found below :

[R125315120](#) [8915-1511-000](#) [89674-0827](#) [5916-1103-603](#) [0106-001-000](#) [6-0001-3](#) [6001-7071-019](#) [6002-7051-003](#) [6002-7551-202](#) [6059674-1](#) [619550-1](#) [630059-000](#) [M39012/25-0021](#) [M39012/79-3008](#) [M39030/3-01N](#) [M39030/3-03N](#) [M3933/25-36N](#) [6500-7071-046](#) [6501-1071-002](#) [M83723/72W2457N](#) [6769](#) [CX050L2AQ](#) [7002-1541-010](#) [7002-1572-002](#) [7003-1572-002](#) [7004-1512-000](#) [7009-1511-004](#) [7010-1511-000](#) [7029-1511-060](#) [7101-1541-010](#) [7101-1571-002](#) [7105-1521-002](#) [7145-1521-002](#) [7209-1511-011](#) [7210-1511-012](#) [7210-1511-015](#) [7210-1511-019](#) [7210-1511-040](#) [7225-1512-050](#) [7242-1511-000](#) [73137-5015](#) [73251-0111](#) [73251-0672](#) [73276-1501](#) [73366-0013](#) [73404-2300](#) [73413-6080](#) [734151610](#) [73415-5721](#) [7405-1521-005](#)