

The new standard in push-pull connectors

- Ultra-lightweight
- Ultra high-pitch contact density, up to 30 ways
- Fully environmentally sealed to 20m in both mated & unmated conditions
- High-speed data capability, inc USB and Ethernet
- Robust design for the most demanding environments
- Positive, blind mateable, key-keyway engagement system
- Fully scoop-proof, to prevent accidental contact damage
- RoHS, Reach & WEEE compliant
- Low-lustre, non-reflective, black finish



Specifications:

Materials

- Shells: Aluminium Alloy (Aerospace grade)
- Insulators: Rigid Polymer
- Contacts: Copper alloy

Standard Plating Finishes

- Metal parts: Non-reflective black finish (ROHS compliant).
- Contacts: Gold

Mechanical Features

- Coupling: push pull, blind mating.
- Keying: 5 orientations available
- Contact type: Solder and PCB pins
- Contact Retention: Assembled and injection moulded in position.
- Endurance: 5000 operations minimum

Environmental Ratings

- Temperature Range: -55 to +125°C
- Vibration: 16hrs random
- Sealing: IP68 - 2 bar (20 metres) mated and un-mated
- Salt Spray: 1000 Hours

Electrical Characteristics

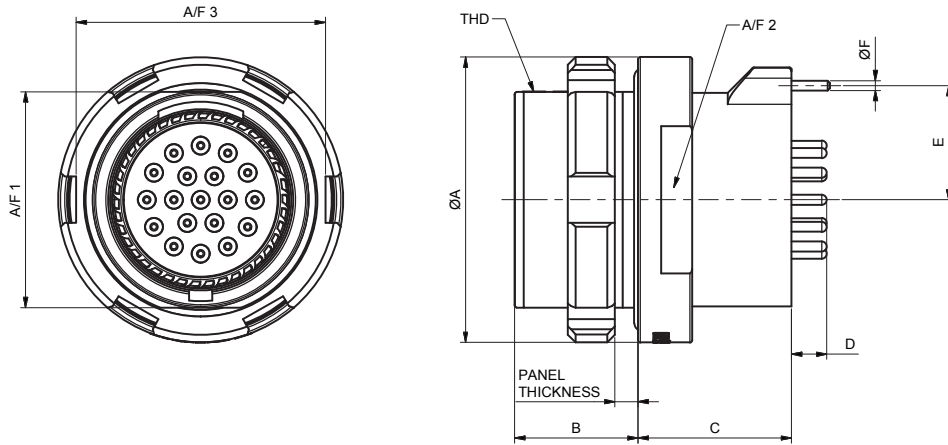
- Insulation resistance: 30,000Mohms
- Dielectric withstand voltage: 750v AC
- Current rating: 3amps @ 40°C
- Contact resistance <5m ohm
- Shell to shell continuity <5m ohm

General Note

TT Electronics reserves the right to make changes in product specification without notice or liability. All information is subject to TT Electronics' own data and is considered accurate at time of going to print.

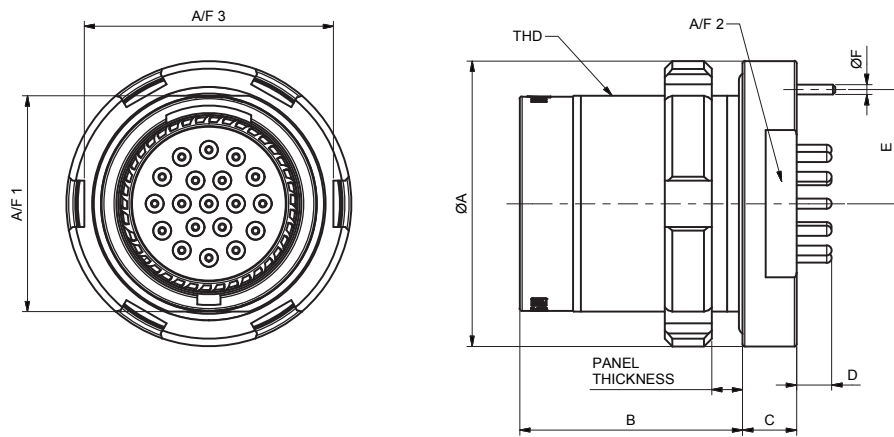


Style 27A - Recessed Box Mounted Receptacle



Size	THD	Panel Thickness	Max No Contacts	A	B	C	D	E	F	G
6	M15 x 0.75	5	30	Ø18.5	8	8.95	2.5	7.4	Ø0.65	14
4	M13 x 0.75	5	20	Ø16.5	8	8.95	2.5	7.4	Ø0.65	12
2	M11 x 0.5	5	10	Ø14.5	8	8.95	2.5	7.4	Ø0.65	10

Style 24A - Box Mounted Receptacle



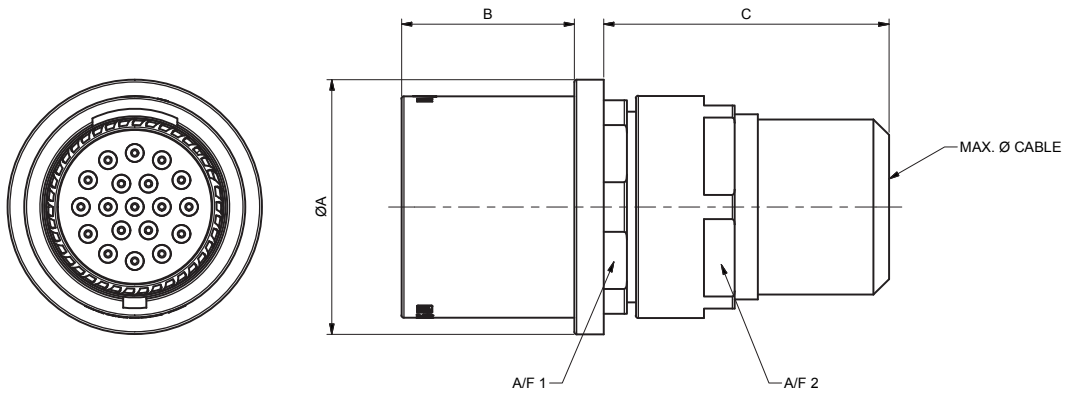
Size	THD	Panel Thickness	Max No Contacts	A	B	C	D	E	F	G
6	M15 x 0.75	6	30	Ø18.5	14.4	3.5	2.5	7.4	Ø0.65	14
4	M13 x 0.75	6	20	Ø16.5	14.4	3.5	2.5	7.4	Ø0.65	12
2	M11 x 0.5	6	10	Ø14.5	14.4	3.5	2.5	7.4	Ø0.65	10

General Note

TT Electronics reserves the right to make changes in product specification without notice or liability. All information is subject to TT Electronics' own data and is considered accurate at time of going to print.

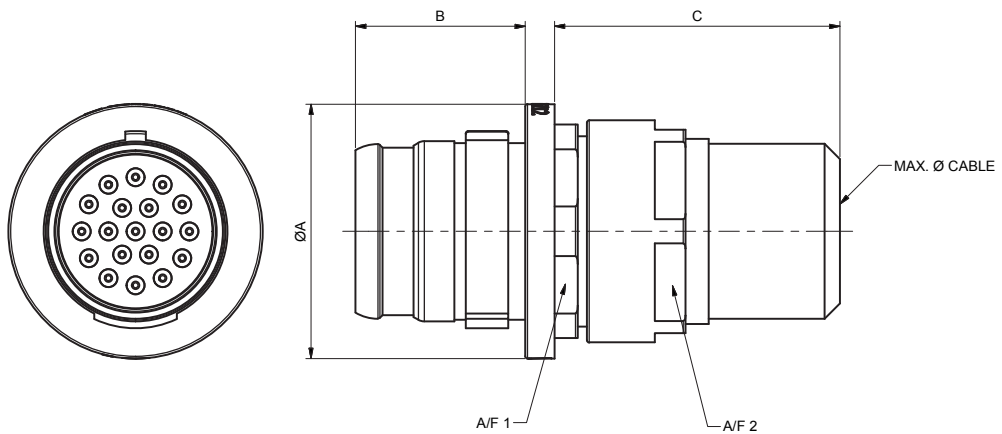


Style 01K
Cable Mounted Receptacle



Size	Max No Contacts	A	B	C
6	30	Ø16.5	11.2	50.4
4	20	Ø14.5	11.2	50.4
2	10	Ø12.5	11.2	50.4

Style 06K
Cable Mounted Plug



Size	Max No Contacts	A	B	C
6	30	Ø16.5	11.0	50.4
4	20	Ø14.5	11.0	50.4
2	10	Ø12.5	11.0	50.4

General Note

TT Electronics reserves the right to make changes in product specification without notice or liability. All information is subject to TT Electronics' own data and is considered accurate at time of going to print.



Part Number Explanation

ABSC 06K B 06 19 P N XX

Shell Style:

- 06K = Cable Plug
- 01K = Cable Receptacle
- 24A = Box Receptacle
- 27A = Recessed Box Receptacle
- 04T = Box Receptacle, solder
- 07T = Recessed Box Connector, solder

Material and Finish:

- B = Non-reflective Black

Shell size:

See Table 1

Insert Arrangement

Contact type:

- P = Pin
- S = Socket

Orientation :

- N = Normal
- Alternative A,B,C,D
- See Table 2

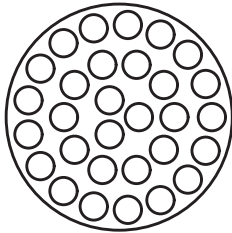
Modification code

General Note

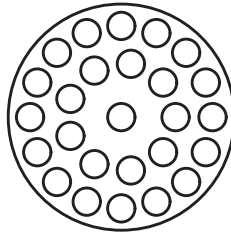
TT Electronics reserves the right to make changes in product specification without notice or liability. All information is subject to TT Electronics' own data and is considered accurate at time of going to print.



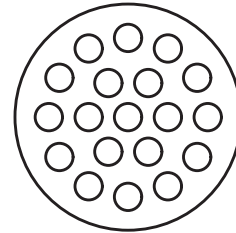
Table 1 Planforms



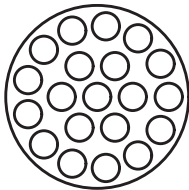
Size: 06
Planform: 30



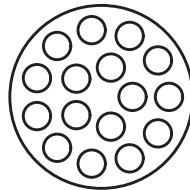
Size: 06
Planform: 26



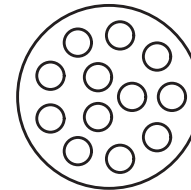
Size: 06
Planform: 19



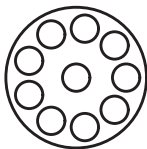
Size: 04
Planform: 20



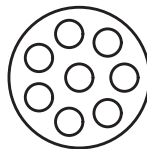
Size: 04
Planform: 16



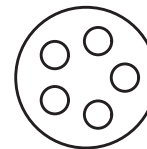
Size: 04
Planform: 12



Size: 02
Planform: 10



Size: 02
Planform: 08



Size: 02
Planform: 05

General Note

TT Electronics reserves the right to make changes in product specification without notice or liability. All information is subject to TT Electronics' own data and is considered accurate at time of going to print.



X-ON Electronics

Largest Supplier of Electrical and Electronic Components

Click to view similar products for [renesas](#) manufacturer:

Other Similar products are found below :

[EL4511CUZ-T7](#) [PYB15-Q24-S5-H-U](#) [PQA30-D24-S24-DH](#) [PQA30-D48-S12-TH](#) [PYB30-Q24-T312-H-U](#) [PYB15-Q24-S5-H-T](#) [PYB15-Q24-S12-H-T](#) [V7815-500-SMT](#) [PYB20-Q48-S12-H-T](#) [PQZ6-Q24-S15-D](#) [PYB20-Q48-S5-H-T](#) [PYB20-Q24-S12-H-T](#) [VLED15-120-350](#) [VGS-75-12](#) [PYB15-Q24-S12-H-U](#) [VGS-50-15](#) [VGS-50-24](#) [R5F100GFAFB#V0](#) [VGS-25-24](#) [VGS-50-5](#) [VGS-100-12](#) [M30620FCAFP#U3](#) [ETSA120500UD-P5P-SZ](#) [PDQ2-D24-S12-S](#) [PDS1-S12-D12-M](#) [PDS1-S12-D15-M](#) [PYB15-Q24-S12-T](#) [PYB15-Q24-S24](#) [PYB20-Q24-S24-DIN](#) [PYB20-Q48-S12](#) [R0K33062PS000BE](#) [R0K505220S000BE](#) [R0K561664S000BE](#) [R0K570865S000BE](#) [HC55185AIMZ](#) [R5F52108CDFP#30](#) [R5F72145BDFA#V1](#) [R5S72631P200FP](#) [R7S721001VCBGAC0](#) [EPSA050250UB-P5P-EJ](#) [HS0005PUU01H](#) [IS82C55A-5](#) [ISL29035EVAL1Z](#) [ISL55110IVZ](#) [ISL6730AEVAL1Z](#) [ISL68200DEMO1Z](#) [ISL78235EVAL2Z](#) [ISL78268EVAL1Z](#) [ISL91107IRA-EVZ](#) [ISL9220IRTZEVAL1Z](#)