



■ 特性 (FEATURES)

- 频率范围: 3.5-70MHz
- Frequency Range: 3.5-70MHz
- 适用于卓越的CPU时钟信号发生器
- Excellent clock signal generator for CPU's
- 适用于宽广的温度范围
- Available in extended temperature range



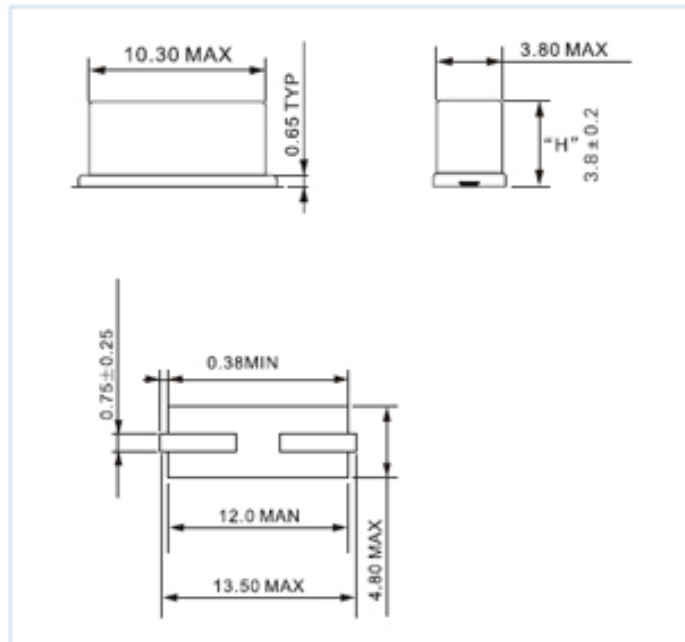
■ 标准规格 (STANDARD SPECIFICATION)

Item	Model	HC-49SM	Conditions
频率范围 (Frequency Range)		3.5-30.0MHz(Fund.) 30.0-70.0MHz(3rd Overtone)	Need to specify
调整频差 (Frequency Tolerance)		± 30ppm	at 25°C
温度频差 (Freq. Tol. Over Temp)		± 30ppm or ± 50ppm	Need to specify
工作温度范围 (Operating Temp. Range)		-20~+70°C or -40~+85°C	
保存温度范围 (Storage Temp. Range)		-40~+85°C	
谐振电阻 (Series Resistance)		Refer to the table as below	at 25°C
负载电容 (Motional Capacitance)		20pF	Need to specify
静态电容 (Shunt Capacitance)		7.0pF Max.	
激励电平 (Drive Level)		100 μw typical	
年老化率 (Aging)		± 5ppm Max.	25 ± 3°C
绝缘阻抗 (Insulation Resistance)		500Mohm Min.	DC100V ± 15V

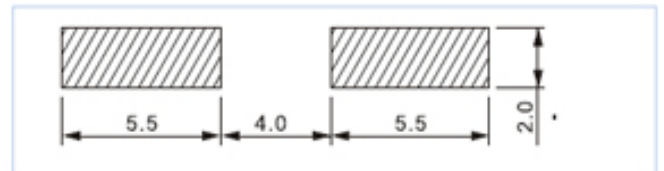
■ 谐振电阻 (SERIES RESISTANCE)

频率范围 (Freq. Range)	3.5-4MHz	4.01-6MHz	6.01-10MHz	10.01-27MHz	27.01-36MHz	36.01-70MHz
振动模式 (Mode)	Fund.	Fund.	Fund.	Fund.	Fund.3rd	Overtone 3rd
谐振电阻 (Series Resistance)	150ohmMax.	120ohmMax.	80ohmMax.	50ohmMax.	30ohmMax.	100ohmMax. 80ohmMax.

■ OUTLINE DRAWING OF HC-49SM (mm)

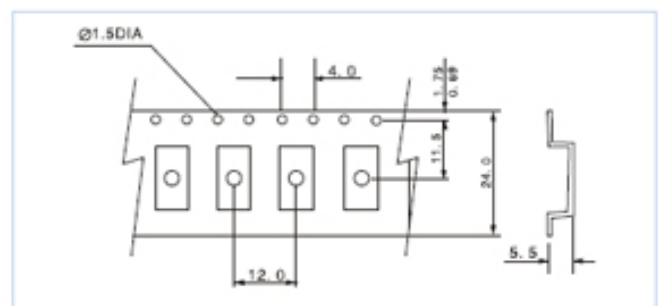


■ RECOMMENDED SOLDER PATTERN (mm)



■ CARRIER TAPE DIMENSIONS

- 330mm REEL DIAMETER
- 24mm TAPE WIDTH
- 12mm PITCH
- 1000 PIECES PER REEL



X-ON Electronics

Largest Supplier of Electrical and Electronic Components

Click to view similar products for [Crystals category](#):

Click to view products by [Abel manufacturer](#):

Other Similar products are found below :

[CS325S24000000ABJT](#) [718-13.2-1](#) [MC405 32.0000K-R3:PURE SN](#) [FC-135R 32.7680KF-A3](#) [7A-40.000MAAE-T](#) [7B-27.000MBBK-T](#)
[FL2000085](#) [9B-15.360MBBK-B](#) [9C-7.680MBBK-T](#) [ASH7K-32.768KHZ](#) [AT-41.600MAGQ-T](#) [BTD1062E05A-513](#) [LFX TAL066198Cutt](#)
[9C-14.31818MBBK-T](#) [FA-238 50.0000MB30X-K3](#) [FC-12M 32.7680KA-AC3](#) [SSPT7F-9PF20-R](#) [FX325BS-38.88EEM1201](#)
[LFX TAL065253Cutt](#) [LFX TAL066431Cutt](#) [XT9S20ANA14M7456](#) [XT9SNLANA16M](#) [646G-24-2](#) [7A-24.576MBBK-T](#) [7B-30.000MBBK-T](#)
[WX26-32.768K-6PF](#) [9B-14.31818MBBK-B](#) [CD1AM](#) [7B-25.000MAAE-T](#) [7A-14.31818MBBK-T](#) [6504-202-1501](#) [6526-202-1501](#) [FA-118T](#)
[27.1200MB50P-K0](#) [FC-135R 32.7680KA-A3](#) [ABM12-104-37.400MHZT](#) [ABLS-10.000MHZ-D3W-T](#) [BTJ112E01E-513](#) [BTJ722K01C-7067](#)
[BTL-20-513](#) [TSX-3225 24.0000MF15X-AC](#) [TSX-3225 16.0000MF18X-AC](#) [BTJ120E02C](#) [BTL-12-513](#) [7A-10.000MBBK-T](#) [7A-](#)
[11.0592MBBK-T](#) [ABM12-103-24.000MHZT](#) [CS325S25000000ABJT](#) [ABM3B-25.000MHZ-B2-X-T](#) [FC-135 32.7680KA-A5](#) [FX0800015](#)