

深 圳 市 雅 晶 鑫 有 限 公 司
Shenzhen Yajingxin Electron Co.,Ltd

SPECIFICATION FOR APPROVAL

CUSTOMER

NOMINAL FREQUENCY

8 ~ 50MHZ

HOLDER TYPE

SMD-5032-2PIN

SPEC. NO. (P/N)

CUSTOMER P/N

ISSUE DATE

Aug.3,2016

APPROVED	PREPARED	QA
APPROVED BY CUSTOMER :		AVL Status
Please return one copy with approval toHLC		

TYPE HF SEAM SEALED X'TAL

ELECTRICAL SPECIFICATIONS

HLC Parts Number :

Item	Symbol	Specifications				Notes
		Min	Type	Max	Units	
Nominal frequency	FO	8 ~ 50			MHz	
Mode of Oscillation	OT	Fundamental				
Load Capacitance	LC	20		pF		
Frequency Tolerance	FT	± 20		ppm	at 25 ± 3	
Frequency Stability		± 30		ppm	with working temperature Reference to 25	
Working temperature range	TR	-40~85				
Drive Level	DL	100		μ W		
Series Resonant Resistance RR	CI/RR			Ω	Max.	
Shunt Capacitance C0	C0	7		pF		
Aging		± 3		ppm/yr.		
Storage temperature range		-55 ~ 125				
Unit Weight				g		

Shenzhen Yajingxin Electron Co.,Ltd

Shenzhen Yajingxin Electron Co.,Ltd

MARKING

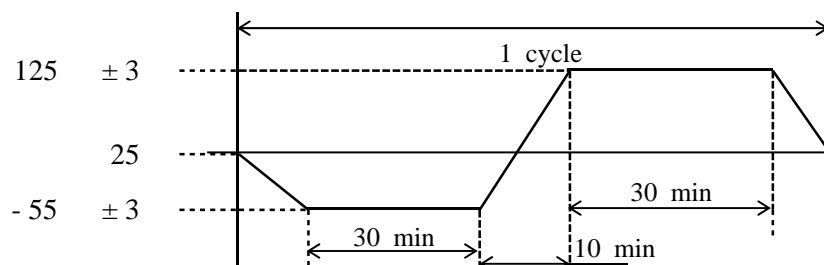
中性

Shenzhen Yajingxin Electron Co.,Ltd

TYPE HF SEAM SEALED X'TAL

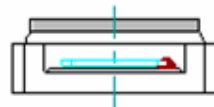
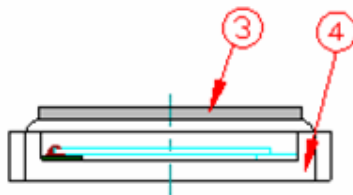
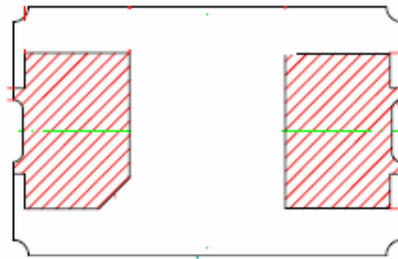
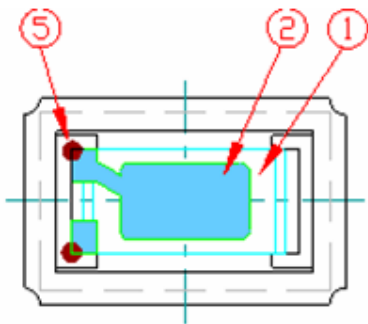
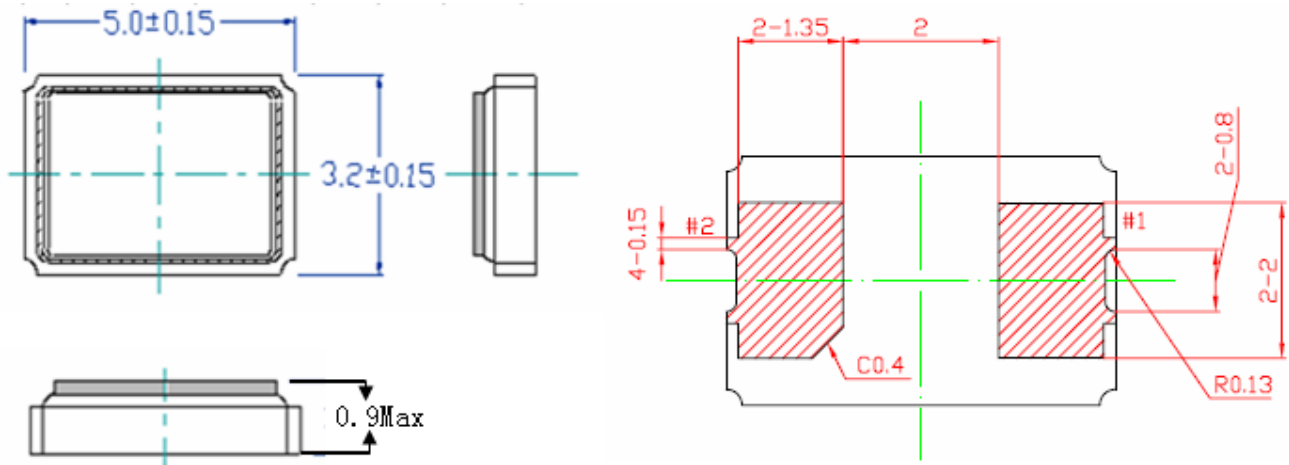
RELIABILITY SPECIFICATIONS

NO.	TEST ITEM	TEST METHODS												
1	DROP TEST	Device are dropped from a height of 150 cm onto 2 mm thickness stainless plate executing 3 times of random drops.												
2	MECHANICAL SHOCK	Device are shocked to half sine wave (1000 G) three mutually perpendicular axes each 3 times.												
3	VIBRATION	<table border="0"> <tr> <td>Frequency range</td> <td>10 ~ 2000 Hz</td> </tr> <tr> <td>Amplitude</td> <td>1.5 mm</td> </tr> <tr> <td>Sweep Time</td> <td>20 minute</td> </tr> <tr> <td>Test Time</td> <td>2 hours</td> </tr> </table>	Frequency range	10 ~ 2000 Hz	Amplitude	1.5 mm	Sweep Time	20 minute	Test Time	2 hours				
Frequency range	10 ~ 2000 Hz													
Amplitude	1.5 mm													
Sweep Time	20 minute													
Test Time	2 hours													
4	SOLDERABILITY	<table border="0"> <tr> <td>MIL - STD - 20E Method 208C</td> <td></td> </tr> <tr> <td>Temperature</td> <td>245 ±5</td> </tr> <tr> <td>Material</td> <td>H63A (Silver 2 ~ 3 %)</td> </tr> <tr> <td>Immersion depth</td> <td>0.5 mm minimum</td> </tr> <tr> <td>Immersion time</td> <td>3 ± 0.5 seconds</td> </tr> <tr> <td>Flux</td> <td>Rosin resin methyl alcohol solvent (1 : 4)</td> </tr> </table>	MIL - STD - 20E Method 208C		Temperature	245 ±5	Material	H63A (Silver 2 ~ 3 %)	Immersion depth	0.5 mm minimum	Immersion time	3 ± 0.5 seconds	Flux	Rosin resin methyl alcohol solvent (1 : 4)
MIL - STD - 20E Method 208C														
Temperature	245 ±5													
Material	H63A (Silver 2 ~ 3 %)													
Immersion depth	0.5 mm minimum													
Immersion time	3 ± 0.5 seconds													
Flux	Rosin resin methyl alcohol solvent (1 : 4)													
5	RESISTANCE TO SOLDERING HEAT	MIL - SLD -202, Method 210, Condition I or J 10 sec immersion into 260 ± 5 solder pot, above 180 is 90 ~ 120 sec.												
6	LOW TEMP. STORAGE	Leave at - 55 ± 2 for 1000 ± 12 hours												
7	HIGH TEMP. STORAGE	Leave at 125 ± 2 for 1000 ± 12 hours												
8	THERMAL SHOCK	Total 100 cycles of the following temperature cycle												



TYPE HF SEAM SEALED X'TAL

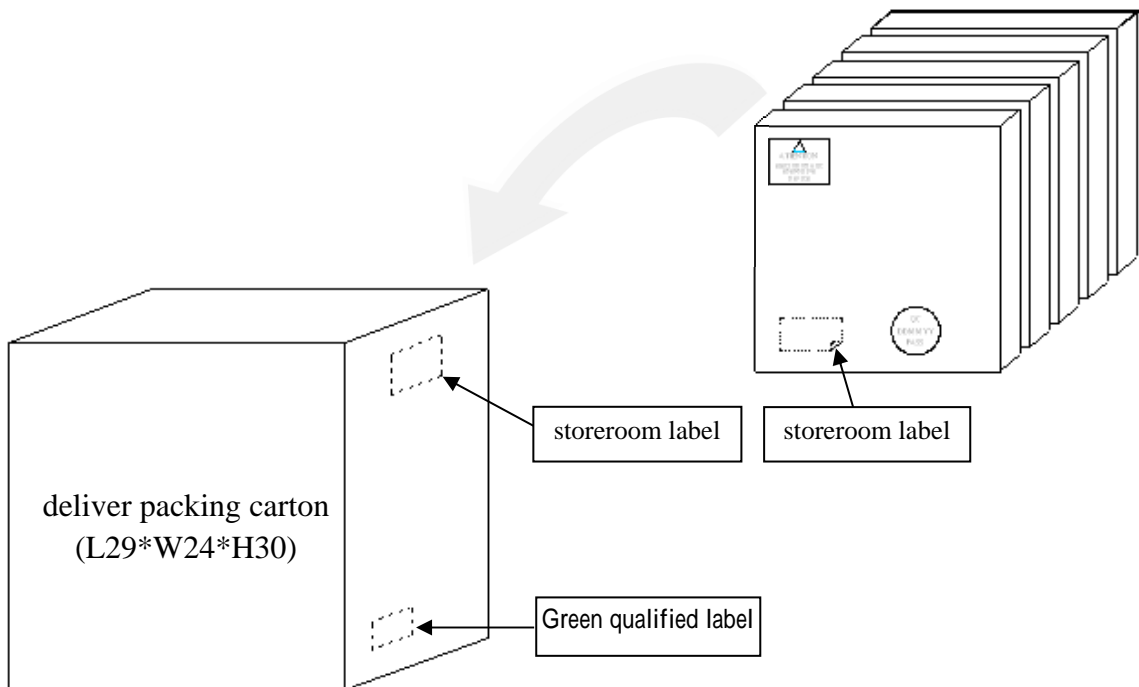
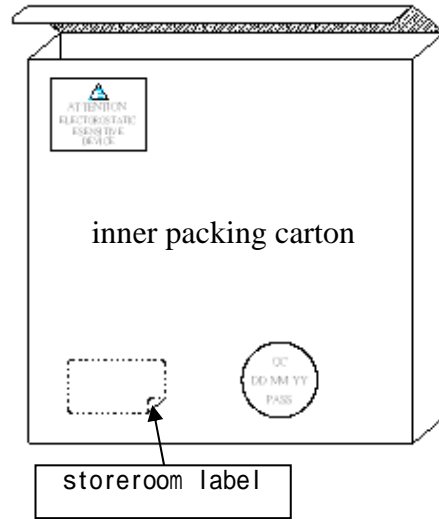
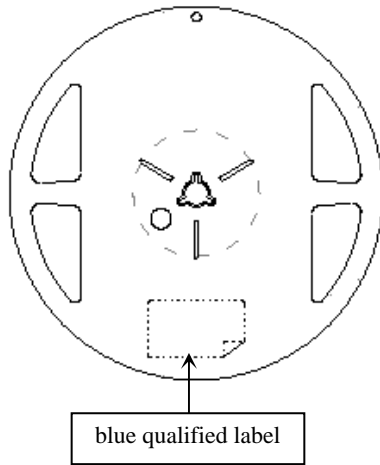
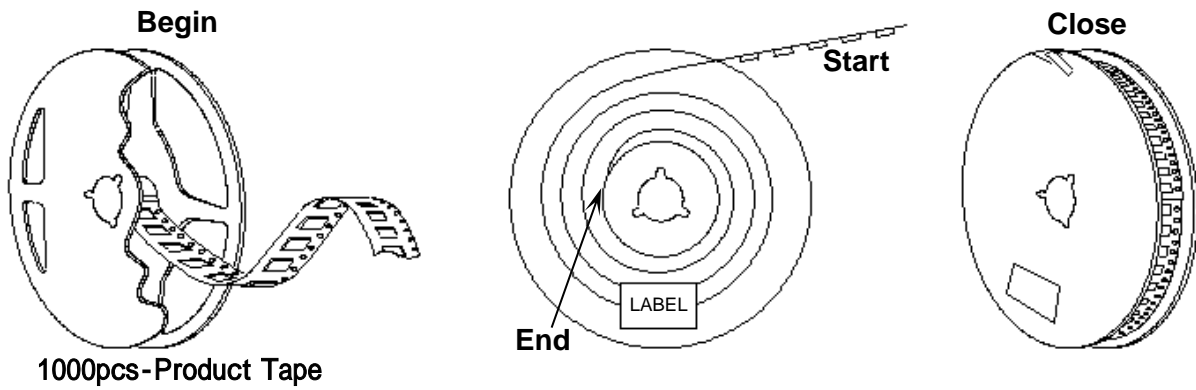
DIMENSIONS



1	Quartz Blank
2	Electrode
3	Lid
4	Base
5	Conductive adhesive

TYPE HF SEAM SEALED X'TAL

PACKING



Shenzhen Yajingxin Electron Co.,Ltd

X-ON Electronics

Largest Supplier of Electrical and Electronic Components

Click to view similar products for [Crystals](#) category:

Click to view products by [Abel](#) manufacturer:

Other Similar products are found below :

[CS325S24000000ABJT](#) [718-13.2-1](#) [MC405 32.0000K-R3:PURE SN](#) [FC-135R 32.7680KF-A3](#) [7A-40.000MAAE-T](#) [7B-27.000MBBK-T](#)
[FL2000085](#) [9B-15.360MBBK-B](#) [9C-7.680MBBK-T](#) [ASH7K-32.768KHZ](#) [AT-41.600MAGQ-T](#) [BTD1062E05A-513](#) [LFX TAL066198Cutt](#)
[9C-14.31818MBBK-T](#) [FA-238 50.0000MB30X-K3](#) [FC-12M 32.7680KA-AC3](#) [SSPT7F-9PF20-R](#) [FX325BS-38.88EEM1201](#)
[LFX TAL065253Cutt](#) [LFX TAL066431Cutt](#) [XT9S20ANA14M7456](#) [XT9SNLANA16M](#) [646G-24-2](#) [7A-24.576MBBK-T](#) [7B-30.000MBBK-T](#)
[WX26-32.768K-6PF](#) [9B-14.31818MBBK-B](#) [CD1AM](#) [7B-25.000MAAE-T](#) [7A-14.31818MBBK-T](#) [6504-202-1501](#) [6526-202-1501](#) [FA-118T](#)
[27.1200MB50P-K0](#) [FC-135R 32.7680KA-A3](#) [ABM12-104-37.400MHZT](#) [ABLS-10.000MHZ-D3W-T](#) [BTJ112E01E-513](#) [BTJ722K01C-7067](#)
[BTL-20-513](#) [TSX-3225 24.0000MF15X-AC](#) [TSX-3225 16.0000MF18X-AC](#) [BTJ120E02C](#) [BTL-12-513](#) [7A-10.000MBBK-T](#) [7A-](#)
[11.0592MBBK-T](#) [ABM12-103-24.000MHZT](#) [CS325S25000000ABJT](#) [ABM3B-25.000MHZ-B2-X-T](#) [FC-135 32.7680KA-A5](#) [FX0800015](#)