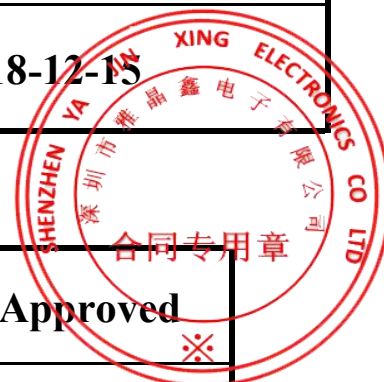


雅晶鑫電子

Shenzhen Yajingxin Electron Co.,Ltd

|                        |                                       |
|------------------------|---------------------------------------|
| <b>Customer</b>        |                                       |
| <b>Production Name</b> | <b>SMD<br/>OCSECSC4R SEAM 3.2*2.5</b> |
| <b>Customer P/N</b>    | <b>N/A</b>                            |
| <b>P/N</b>             | <b>TFOM32768K4RHKCNT2T</b>            |
| <b>Revision</b>        | <b>A</b>                              |
| <b>Print Date</b>      | <b>2018-12-15</b>                     |



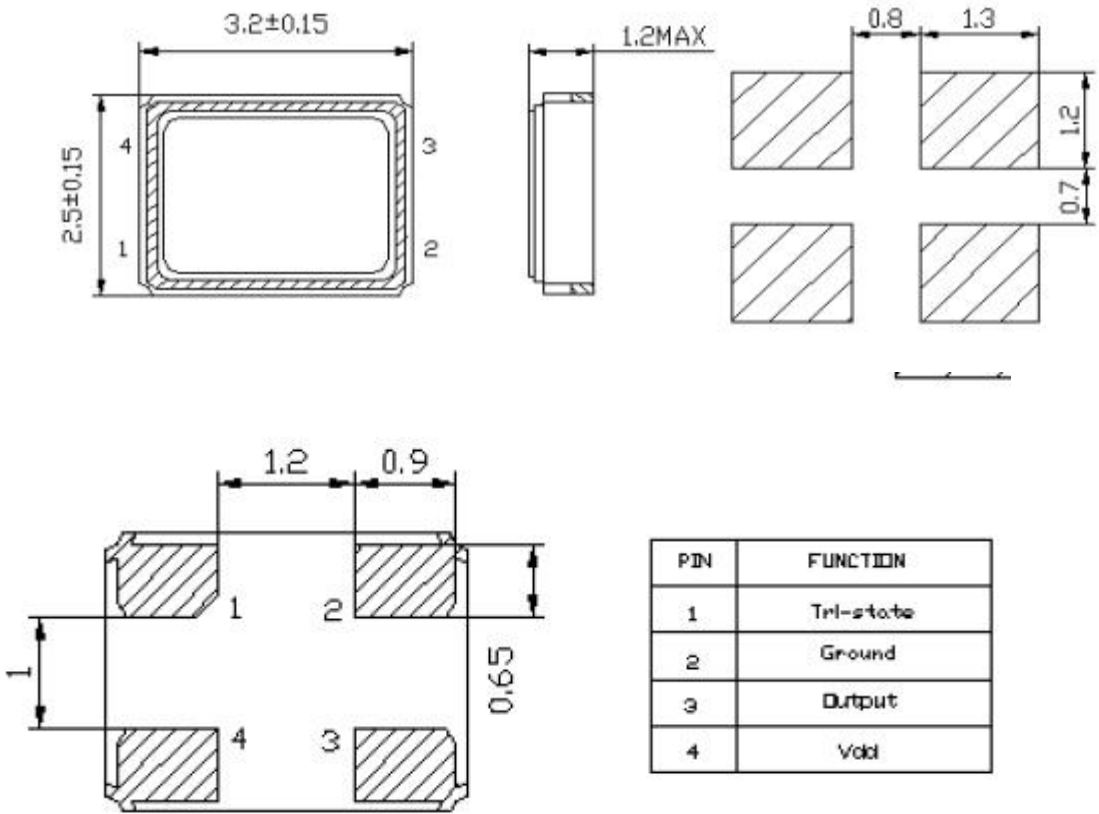
| <b>Drawn</b> | <b>Checked</b> | <b>Approved</b> |
|--------------|----------------|-----------------|
|              |                |                 |

**RoHS Compliant**

■ Electrical Specifications

|                                      |                        |            |
|--------------------------------------|------------------------|------------|
| 1.Model No                           | 3225 OSC               |            |
| 2.Nominal Frequency                  | 0.032768MHz            |            |
| 3.Mode of Oscillation                | Fundamental            |            |
| 4.Operating Temperature Range        | -40℃ to 85 ℃           |            |
| 5.Storage Temperature Range          | -55℃ to +125℃          |            |
| 6.Frequency Stability                | ±50ppm                 |            |
| 7.Power Supply Voltage               | 1.8V-5V±10%            |            |
| 8.Input Current                      | 5mA Max. : 0.032768MHz |            |
| 9.Output Voltage                     | Logic High(Voh)        | 90%Vdd Min |
|                                      | Logic Low(Vol)         | 10%Vdd Max |
| 10.Output Load                       | 15pF max CMOS Load     |            |
| 11.Semmetry (at 50%VDD)              | 40-60%Normal           |            |
| 12.Rise & Fall Time                  | 8ns Max.               |            |
| 13.E/D or N/C.                       | Tri-state              |            |
| 14.Output Disable Time               | 100nsec                |            |
| 15.Output Enable Time(start-up time) | 10msec max             |            |
| 16.Aging                             | ±3ppm/year             |            |
| 17.Unit Weight                       |                        |            |

■ Dimensions



| PIN | FUNCTION  |
|-----|-----------|
| 1   | Tri-state |
| 2   | Ground    |
| 3   | Output    |
| 4   | Vdd       |

■ Marking

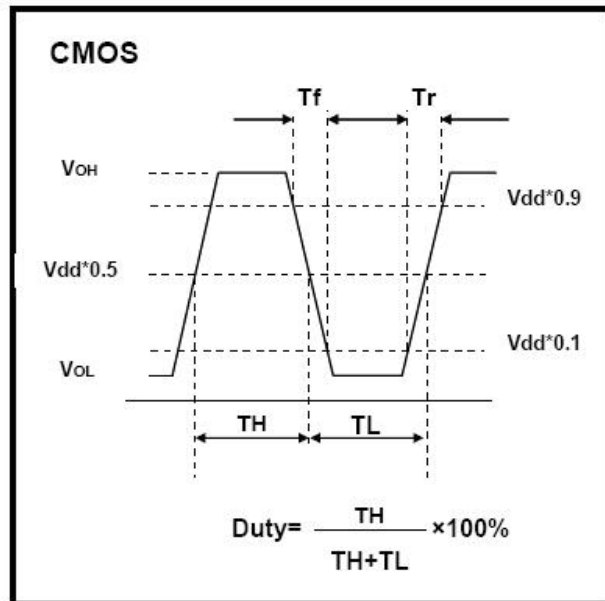
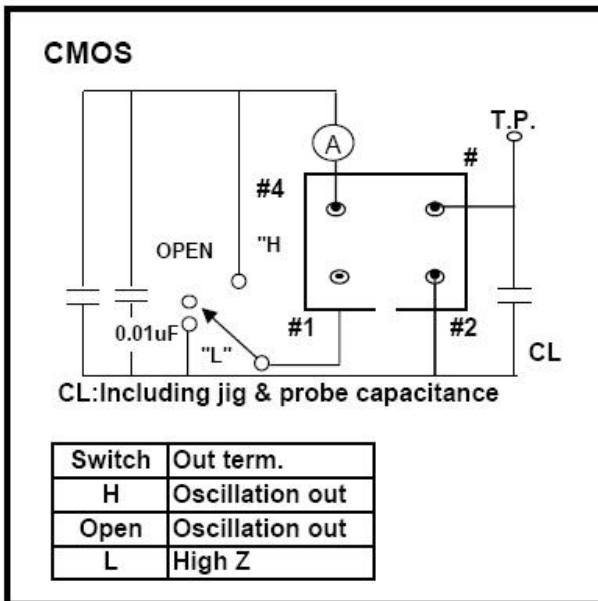
Line 1: 客户指定印字→

Line 2: ● → Pin#1 indication

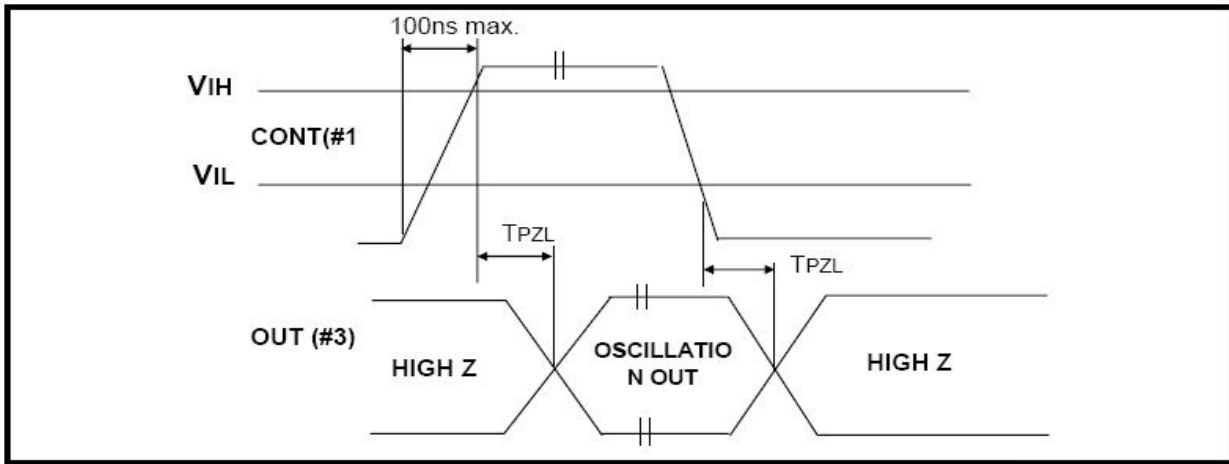


■ Measurement Circuit

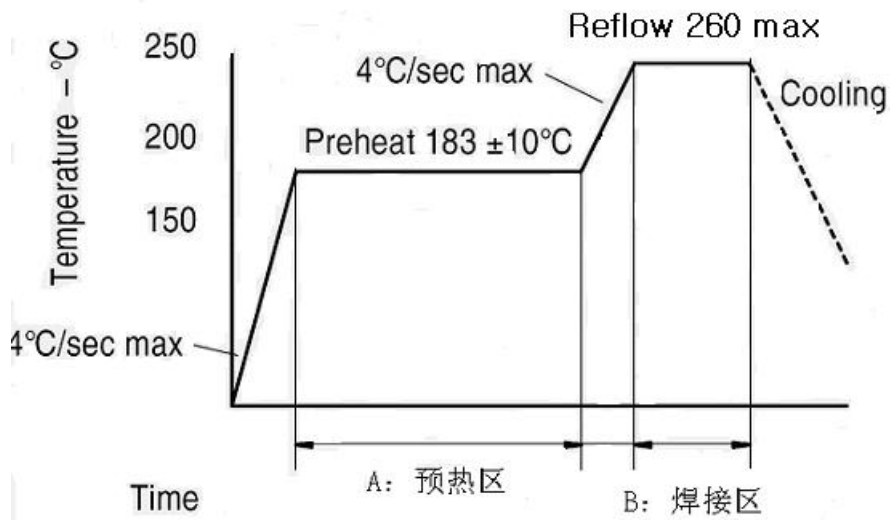
Output Wave Form



■ Input Output Condition



■ Reflow Profile



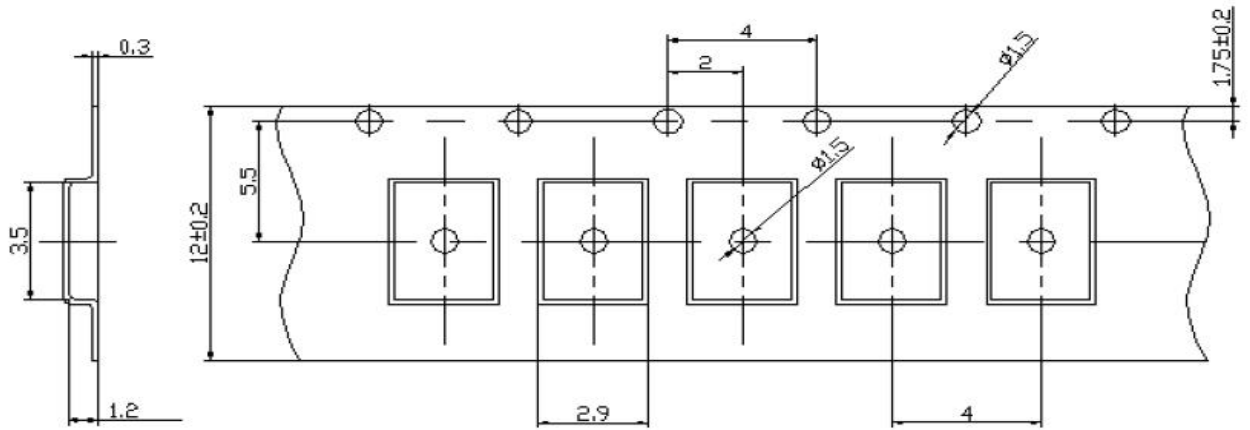
■ Reliability Specifications

\*\*\*\*\*5\*\*\*\*\*

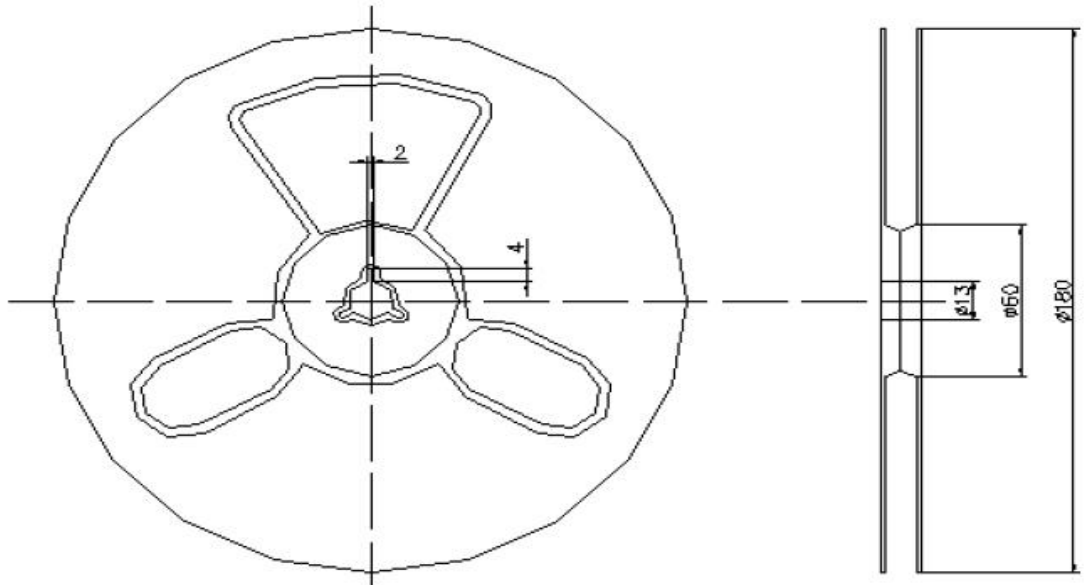
| No | Test Item                   | Test Methods  |
|----|-----------------------------|---|
| 1  | DROP TEST                   | Device are dropped from a height of 75 cm onto 3 mm thickness stainless plate executing 3 times of random drops.  |
| 2  | MECHANICAL SHOCK            | Device are shocked to half sine wave (1000 G) three mutually perpendicular axes each 3 times.   |
| 3  | High Temp and Humidity Test | 85°C/RH 85%, 500Hrs   |
| 4  | High temp storage test      | 125°C+/-2°C 500Hrs  |
| 5  | Low temp storage test       | -40°C 500Hrs  |
| 6  | Thermal shock test          | -40°C~+85°C DWEL 60' 100cycles  |
| 7  | Aging test                  | 85°C 500Hrs   |
| 8  | Resistance to solder heat   | 260°C 10S   |
| 9  | VIBRATION                   | Frequency range 10-2000 Hz<br>Amplitude Sweep 1.5 mm<br>Sweep Time 20 minute<br>Test Time 2 hours   |
|    |                             |   |
|    |                             |   |
| 10 | SOLDERABILITY               | MIL - STD - 20E Method 208C<br>Temperature 245°C±5°C<br>Material H63A (Silver 2-3 %)<br>Immersion depth 0.5 mm minimum<br>Immersion time 3 ± 0.5 seconds<br>Flux Rosin resin methyl |

■ Packing

■ 编带 (TAPE)



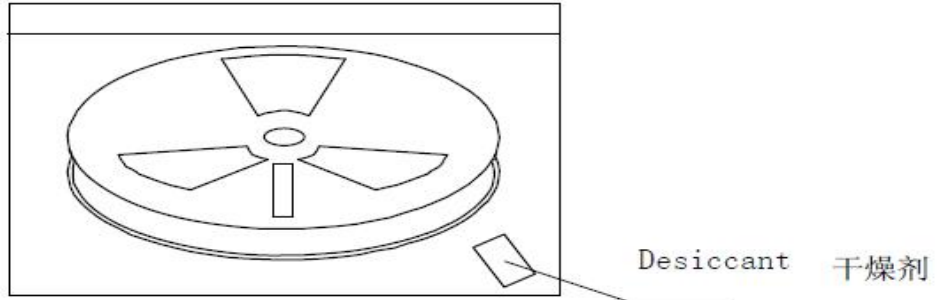
■ 轮 (REEL)



\*\*\*\*\*7\*\*\*\*\*

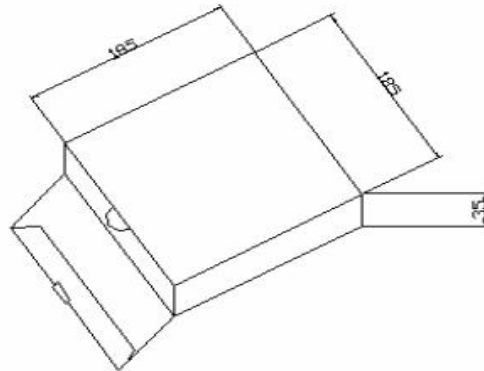
## ■ 包装 (PACKAGE)

- 1. 自封袋 (Bag)
- 3000只=1 轮
- 3000pcs=1 Reel



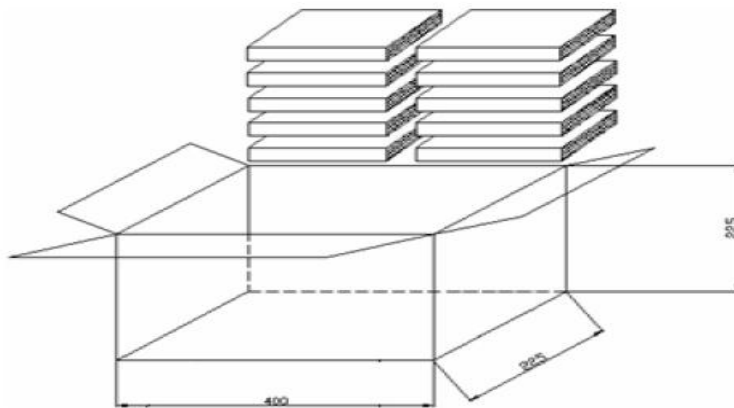
## 2. 内包装 (Inside package)

- 1 轮=1 盒
- 1 Reel=1 box



## 3. 外包装 (outside Package )

- 10 盒=1 箱
- 10 box=1 carton



\*\*\*\*\*8\*\*\*\*\*



## X-ON Electronics

Largest Supplier of Electrical and Electronic Components

*Click to view similar products for [Standard Clock Oscillators](#) category:*

*Click to view products by [Abel](#) manufacturer:*

Other Similar products are found below :

[EP1400SJTSC-125.000M](#) [601137](#) [601252](#) [CSX750FBC-24.000M-UT](#) [CSX750FBC-33.333M-UT](#) [CSX750FCC-3.6864M-UT](#) [F335-12](#) [F335-25](#) [F535L-50](#) [DSC506-03FM2](#) [ASA-20.000MHZ-L-T](#) [ASA-25.000MHZ-L-T](#) [ASA-27.000MHZ-L-T](#) [ASV-20.000MHZ-LR-T](#) [ECS-2018-160-BN-TR](#) [EL13C7-H2F-125.00M](#) [MXO45HS-2C-66.6666MHZ](#) [NBXDBB017LN1TAG](#) [NBXHBA019LN1TAG](#) [SiT1602BI-22-33E-50.000000E](#) [SIT8003AC-11-33S-2.04800X](#) [SiT8256AC-23-33E-156.250000X](#) [SIT8918AA-11-33S-50.000000G](#) [SM4420TEV-40.0M-T1K](#) [SMA4306-TL-H](#) [F335-24](#) [F335-40](#) [F335-50](#) [F535L-10](#) [F535L-12](#) [F535L-16](#) [F535L-24](#) [F535L-27](#) [F535L-48](#) [CSX750FBC-20.000M-UT](#) [CSX-750FBC33333000T](#) [CSX750FBC-4.000M-UT](#) [CSX750FBC-7.3728M-UT](#) [CSX750FBC-8.000M-UT](#) [CSX-750FCC14745600T](#) [CSX750FCC-16.000M-UT](#) [CSX-750FCC40000000T](#) [CSX750FCC-4.000M-UT](#) [ASA-22.000MHZ-L-T](#) [ASA2-26.000MHZ-L-T](#) [ASA-40.000MHZ-L-T](#) [ASA-48.000MHZ-L-T](#) [ASA-60.000MHZ-L-T](#) [ASF1-3.686MHZ-N-K-S](#) [XLH735025.000JU4I8](#)