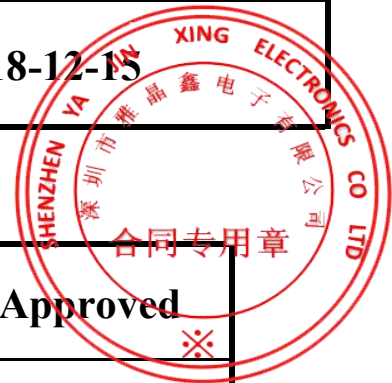


雅晶鑫電子

Shenzhen Yajingxin Electron Co.,Ltd

Customer	
Production Name	SMD OCSECSC4R SEAM 5.0*3.2
Customer P/N	N/A
P/N	TTOM24M4QHKCNT2T
Revision	A
Print Date	2018-12-15



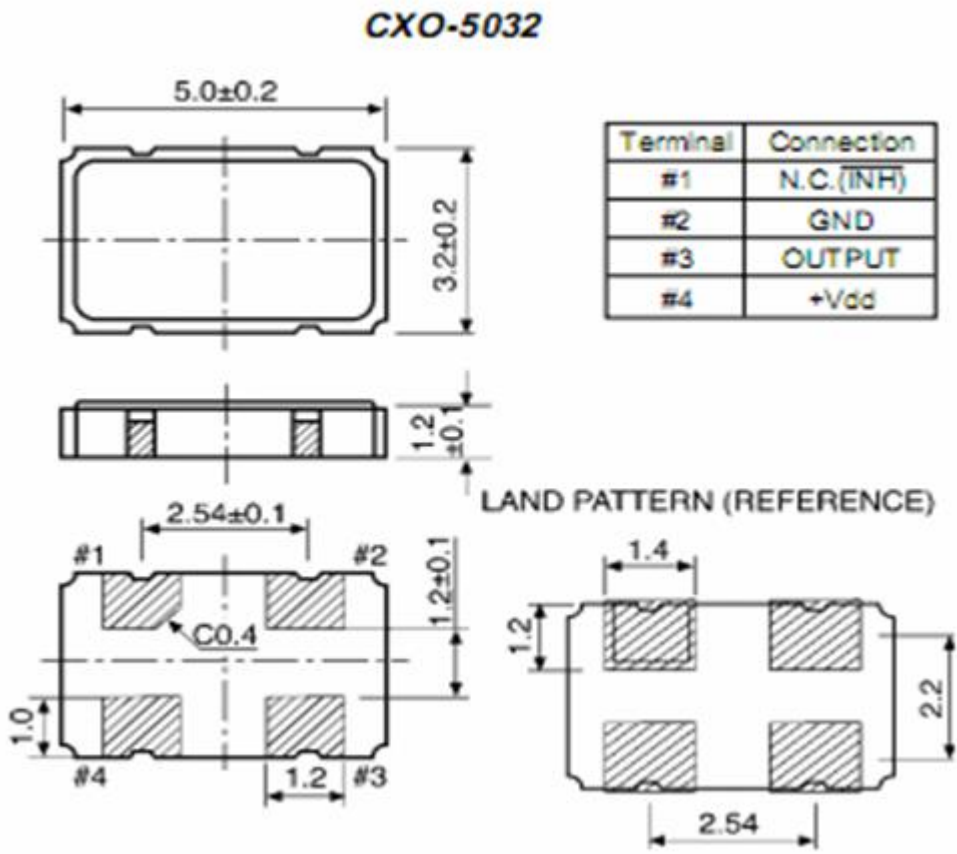
Drawn	Checked	Approved

RoHS Compliant

■ Electrical Specifications

1.Model No	5032 OSC
2.Nominal Frequency	24.000MHz
3.Mode of Oscillation	Fundamental
4.Operating Temperature Range	-10°C to 70 °C
5.Storage Temperature Range	-55°C to +125°C
6.Frequency Stability	±50ppm
7.Power Supply Voltage	3.3V±5%
8.Input Current	10mA Max. : 1.500- 32.000MHz 15mA Max. : 32.001- 50.000MHz 25mA Max. : 50.000- 70.000MHz 60mA Max. : 70.001- 125.00MHz
9.Output Voltage	Logic High(Voh) Logic Low(Vol)
	90%Vdd Min 10%Vdd Max
10.Output Load	15pF max CMOS Load
11.Semmetry (at 50%VDD)	40-60%Normal
12.Rise & Fall Time	8ns Max.
13.E/D or N/C.	Tri-state
14.Output Disable Time	100nsec
15.Output Enable Time(start-up time)	10msec max
16.Aging	±3ppm/year
17.Unit Weight	

■ Dimensions



Terminal	Connection
#1	N.C.(INH)
#2	GND
#3	OUTPUT
#4	+Vdd

Pad	1	2	3	4
Connection	N.C.(INH)	GND	OUTPUT	VDD

*****3*****

■ Marking

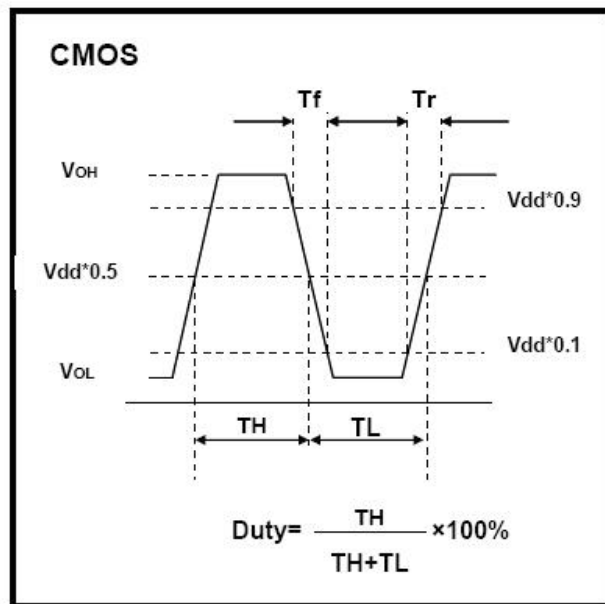
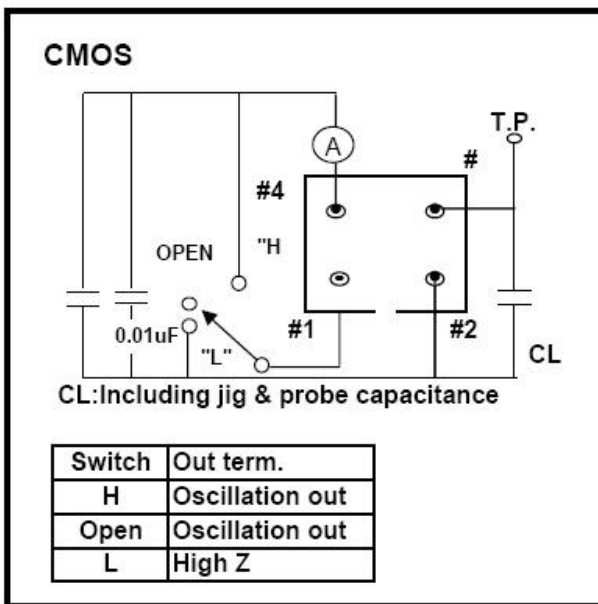
Line 1: 客户指定印字→

Line 2: ● → Pin#1 indication

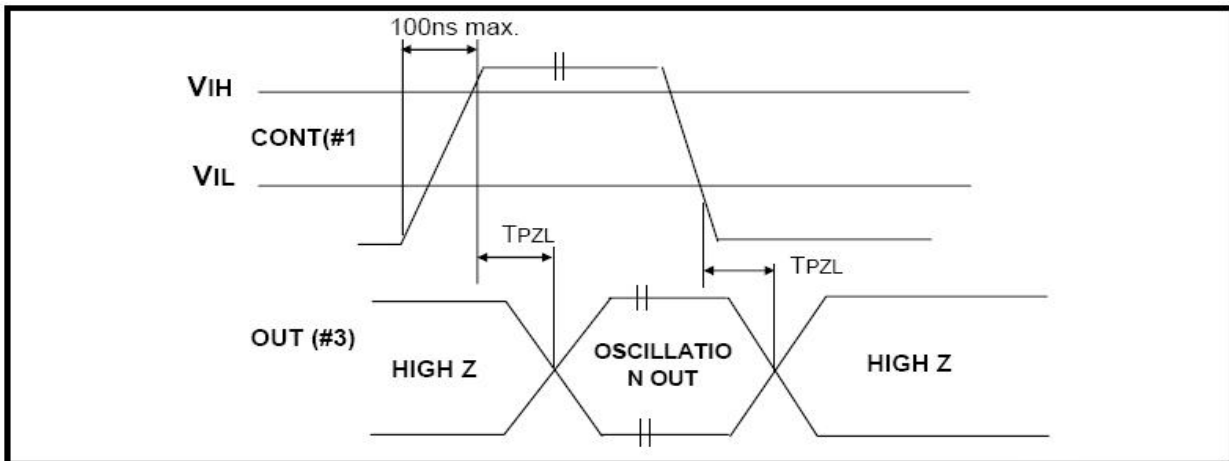


■ Measurement Circuit

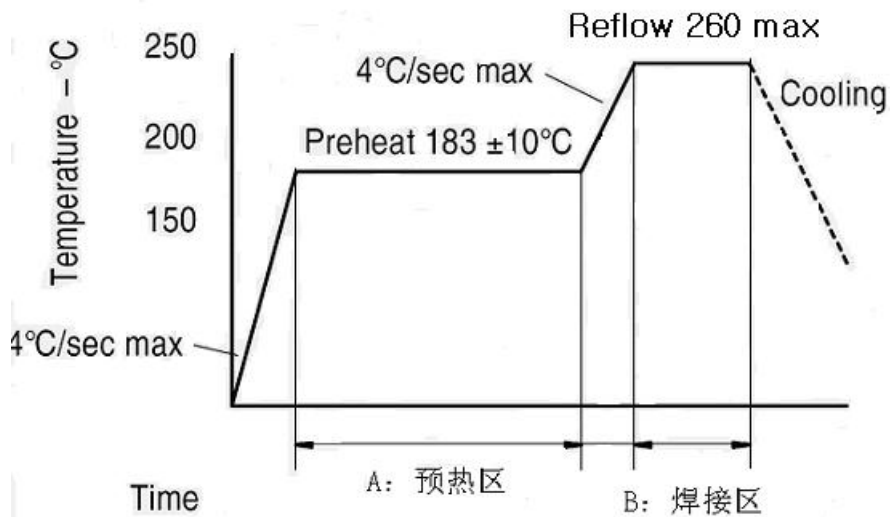
Output Wave Form



■ Input Output Condition



■ Reflow Profile

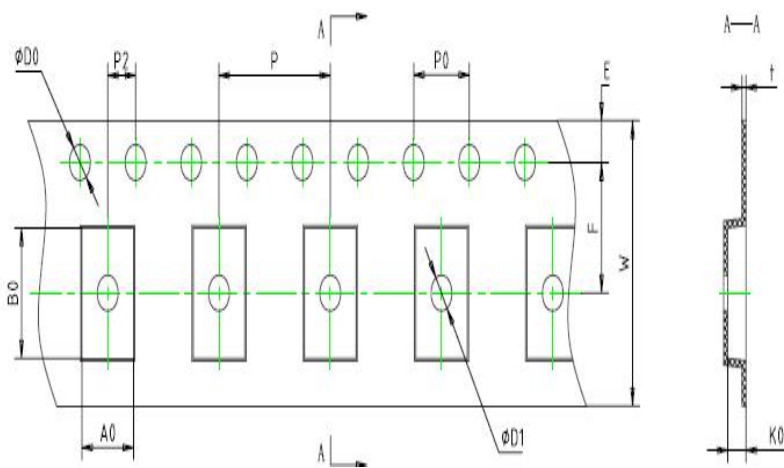
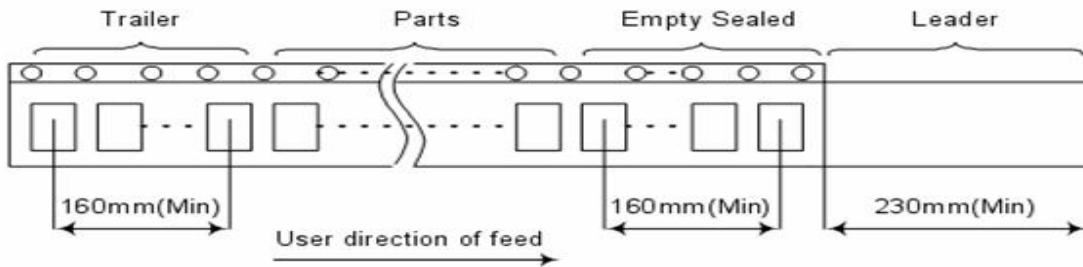


■ Reliability Specifications

No	Test Item	Test Methods
1	DROP TEST	Device are dropped from a height of 75 cm onto 3 mm thickness stainless plate executing 3 times of random drops.
2	MECHANICAL SHOCK	Device are shocked to half sine wave (1000 G) three mutually perpendicular axes each 3 times.
3	High Temp and Humidity Test	85°C/RH 85%, 500Hrs
4	High temp storage test	125°C+/-2°C 500Hrs
5	Low temp storage test	-40°C 500Hrs
6	Thermal shock test	-40°C~+85°C DWEL 60' 100cycles
7	Aging test	85°C 1000Hrs
8	Resistance to solder heat	260°C 10S
9	VIBRATION	Frequency range 10-2000 Hz Amplitude Sweep 1.5 mm Sweep Time 20 minute Test Time 2 hours
10	SOLDERABILITY	MIL - STD - 20E Method 208C Temperature 245°C±5°C Material H63A (Silver 2-3 %) Immersion depth 0.5 mm minimum Immersion time 3 ± 0.5 seconds Flux Rosin resin methyl

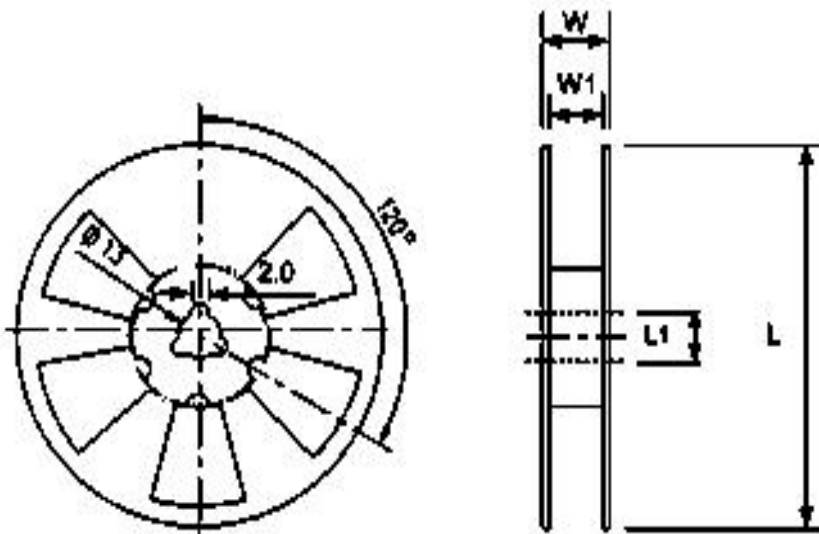
*****6*****

■ Packing



外观	尺寸 (mm)
E	1.75±0.10
E2	10.25MIN
F	5.50±0.10
P2	2.00±0.10
φD0	1.50 ^{+0.10} _{-0.00}
φD1	1.50MIN
P0	4.00±0.10
10P0	40.00±0.2
W	12.00±0.30
P	8.00±0.10
A0	3.70±0.10
B0	5.50±0.10
K0	1.30±0.10
t	0.30±0.05

■ Reel Dimension



DIMENSIONS [Ⓐ]	L [Ⓐ]	L1 [Ⓐ]	W [Ⓐ]	W1 [Ⓐ]	Pcs/Reel (UNIT: mm) [Ⓐ]
		178 [Ⓐ]	13 [Ⓐ]	12.0+/-0.3 [Ⓐ]	11.5 [Ⓐ]

NOTE: 1. packgeing q'ty 1000PCS /REEL

*****8*****

X-ON Electronics

Largest Supplier of Electrical and Electronic Components

Click to view similar products for [Standard Clock Oscillators](#) category:

Click to view products by [Abel](#) manufacturer:

Other Similar products are found below :

[EP1400SJTSC-125.000M](#) [601137](#) [601252](#) [CSX750FBC-24.000M-UT](#) [CSX750FBC-33.333M-UT](#) [CSX750FCC-3.6864M-UT](#) [F335-12](#) [F335-25](#) [F535L-50](#) [DSC506-03FM2](#) [ASA-20.000MHZ-L-T](#) [ASA-25.000MHZ-L-T](#) [ASA-27.000MHZ-L-T](#) [ASV-20.000MHZ-LR-T](#) [ECS-2018-160-BN-TR](#) [EL13C7-H2F-125.00M](#) [MXO45HS-2C-66.6666MHZ](#) [NBXDBB017LN1TAG](#) [NBXHBA019LN1TAG](#) [SiT1602BI-22-33E-50.000000E](#) [SIT8003AC-11-33S-2.04800X](#) [SiT8256AC-23-33E-156.250000X](#) [SIT8918AA-11-33S-50.000000G](#) [SM4420TEV-40.0M-T1K](#) [SMA4306-TL-H](#) [F335-24](#) [F335-40](#) [F335-50](#) [F535L-10](#) [F535L-12](#) [F535L-16](#) [F535L-24](#) [F535L-27](#) [F535L-48](#) [PE7744DW-100.0M](#) [CSX750FBC-20.000M-UT](#) [CSX-750FBC33333000T](#) [CSX750FBC-4.000M-UT](#) [CSX750FBC-7.3728M-UT](#) [CSX750FBC-8.000M-UT](#) [CSX-750FCC14745600T](#) [CSX750FCC-16.000M-UT](#) [CSX-750FCC40000000T](#) [CSX750FCC-4.000M-UT](#) [ASA-22.000MHZ-L-T](#) [ASA2-26.000MHZ-L-T](#) [ASA-40.000MHZ-L-T](#) [ASA-48.000MHZ-L-T](#) [ASA-60.000MHZ-L-T](#) [ASF1-3.686MHZ-N-K-S](#)