

## 2-WIRE SERIAL E<sup>2</sup>PROM

[www.sii-ic.com](http://www.sii-ic.com)

© Seiko Instruments Inc., 2010-2013

Rev.2.0\_01\_S

The S-24CM01C is a 2-wire, low current consumption and wide range operation serial E<sup>2</sup>PROM. The S-24CM01C has the capacity of 1 M-bit, and the organization is 131072 words × 8-bit. Page write and sequential read are available.

### ■ Features

- Operating voltage range      Read:      1.6 V to 5.5 V  
   Write:      1.7 V to 5.5 V
- Page write:                      256 bytes / page
- Sequential read
- Operation frequency:      1.0 MHz (V<sub>CC</sub> = 2.5 V to 5.5 V)  
   400 kHz (V<sub>CC</sub> = 1.6 V to 2.5 V)
- Write time:                      5.0 ms max.
- Noise suppression:      Schmitt trigger and noise filter on input pins (SCL, SDA)
- Write protect function during the low power supply voltage
- Endurance:                      10<sup>6</sup>cycles / unit<sup>\*1</sup> (Ta = +25°C)
- Data retention:                   100 years (Ta = +25°C)
- Memory capacity:              1 M-bit
- Write protect:                    100%
- Initial shipment data:      FFh
- Lead-free (Sn 100%), halogen-free<sup>\*2</sup>

\*1. For each unit (unit: the 4 bytes with the same address of P0, W15 to W2)

\*2. Refer to "■ Product Name Structure" for details.

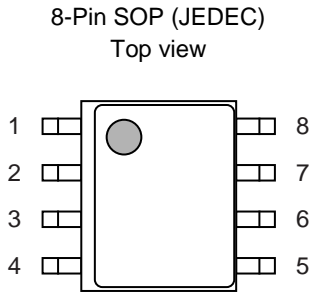
### ■ Package

- 8-Pin SOP (JEDEC)

**Caution**      This product is intended to use in general electronic devices such as consumer electronics, office equipment, and communications devices. Before using the product in medical equipment or automobile equipment including car audio, keyless entry and engine control unit, contact to SII is indispensable.

■ **Pin Configuration**

**1. 8-Pin SOP (JEDEC)**



**Figure 1**

S-24CM01CI-J8T1U4

**Table 1**

Pin No	Symbol	Description
1	NC <sup>*1</sup>	No connection
2	A1	Slave address input
3	A2	Slave address input
4	GND	Ground
5	SDA <sup>*2</sup>	Serial data I/O
6	SCL <sup>*2</sup>	Serial clock input
7	WP	Write protect input Connected to V <sub>CC</sub> : Protection valid Open or connected to GND: Protection invalid
8	VCC	Power supply

\*1. Connect to GND or V<sub>CC</sub>.

\*2. Do not use it in high impedance.

**Remark** Refer to the "Package drawings" for the details.

■ Block Diagram

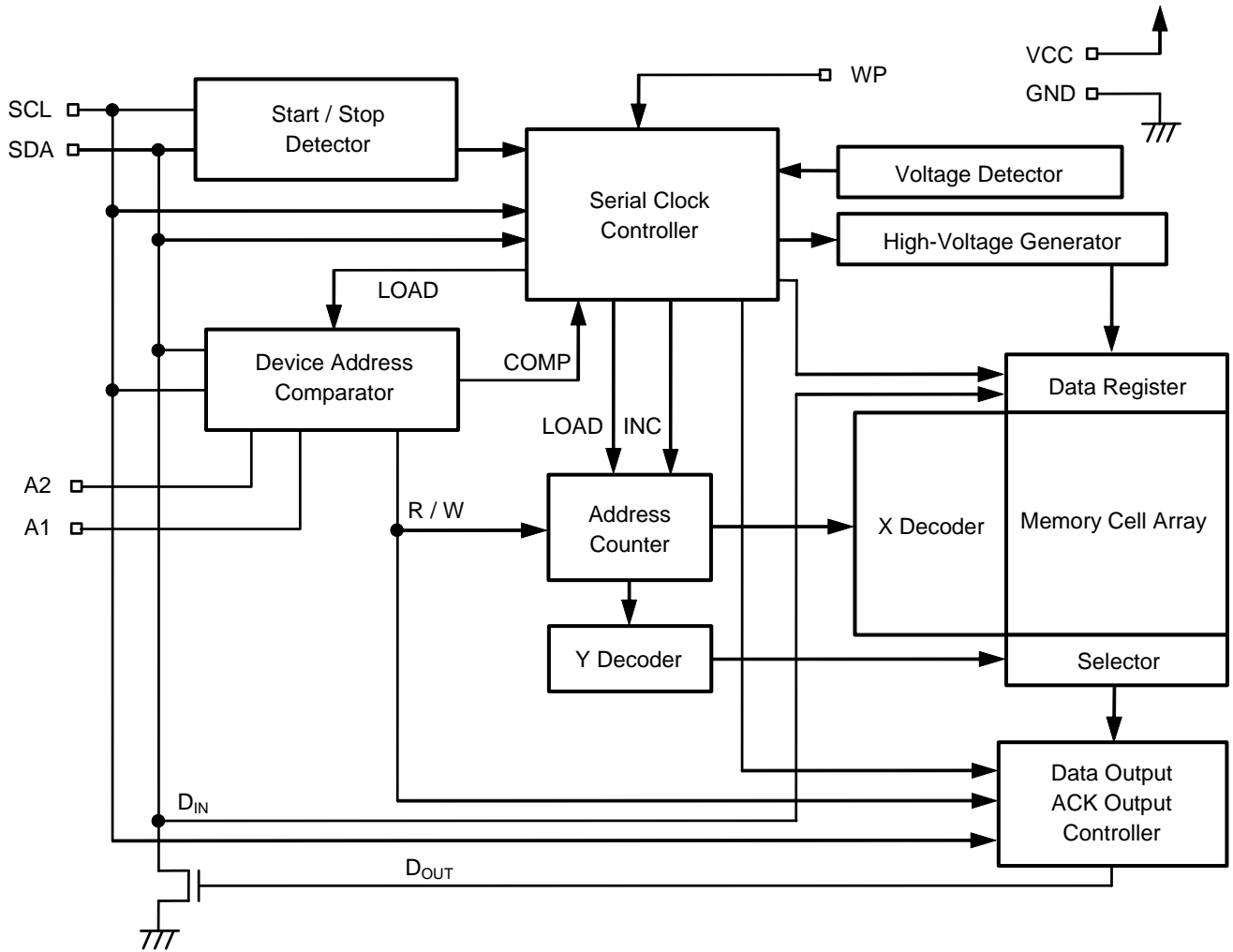


Figure 2

■ Absolute Maximum Ratings

Table 2

Item	Symbol	Absolute Maximum Ratings	Unit
Power supply voltage	V <sub>CC</sub>	-0.3 to +6.5	V
Input voltage	V <sub>IN</sub>	-0.3 to +6.5	V
Output voltage	V <sub>OUT</sub>	-0.3 to +6.5	V
Operation ambient temperature	T <sub>opr</sub>	-40 to +85	°C
Storage temperature	T <sub>stg</sub>	-65 to +150	°C

Caution The absolute maximum ratings are rated values exceeding which the product could suffer physical damage. These values must therefore not be exceeded under any conditions.

■ Recommended Operating Conditions

Table 3

Item	Symbol	Condition	Ta = -40°C to +85°C		Unit
			Min.	Max.	
Power supply voltage	V <sub>CC</sub>	Read Operation	1.6	5.5	V
		Write Operation	1.7	5.5	V
High level input voltage	V <sub>IH</sub>	V <sub>CC</sub> = 1.8 V to 5.5 V	0.7 × V <sub>CC</sub>	5.5	V
		V <sub>CC</sub> = 1.6 V to 1.8 V	0.8 × V <sub>CC</sub>	5.5	V
Low level input voltage	V <sub>IL</sub>	V <sub>CC</sub> = 1.8 V to 5.5 V	-0.3	0.3 × V <sub>CC</sub>	V
		V <sub>CC</sub> = 1.6 V to 1.8 V	-0.3	0.2 × V <sub>CC</sub>	V

■ Pin Capacitance

Table 4

(Ta = +25°C, f = 1.0 MHz, V<sub>CC</sub> = 5.0 V)

Item	Symbol	Condition	Min.	Max.	Unit
Input capacitance	C <sub>IN</sub>	V <sub>IN</sub> = 0 V (SCL, A1, A2, WP)	-	10	pF
I/O capacitance	C <sub>I/O</sub>	V <sub>I/O</sub> = 0 V (SDA)	-	10	pF

■ Endurance

Table 5

Item	Symbol	Operation Ambient Temperature	Min.	Max.	Unit
Endurance	N <sub>w</sub>	Ta = +25°C	10 <sup>6</sup>	-	cycles / unit*1

\*1. For each unit (unit: the 4 bytes with the same address of P0, W15 to W2)

■ Data Retention

Table 6

Item	Symbol	Operation Ambient Temperature	Min.	Max.	Unit
Data retention	-	Ta = +25°C	100	-	year

## ■ DC Electrical Characteristics

Table 7

Item	Symbol	Condition	Ta = -40°C to +85°C				Unit
			V <sub>CC</sub> = 2.5 V to 5.5 V f <sub>SCL</sub> = 1.0 MHz		V <sub>CC</sub> = 1.6 V to 2.5 V f <sub>SCL</sub> = 400 kHz		
			Min.	Max.	Min.	Max.	
Current consumption (READ)	I <sub>CC1</sub>	–	–	2.0	–	1.5	mA

Table 8

Item	Symbol	Condition	Ta = -40°C to +85°C				Unit
			V <sub>CC</sub> = 2.5 V to 5.5 V f <sub>SCL</sub> = 1.0 MHz		V <sub>CC</sub> = 1.7 V to 2.5 V f <sub>SCL</sub> = 400 kHz		
			Min.	Max.	Min.	Max.	
Current consumption (WRITE)	I <sub>CC2</sub>	–	–	4.0	–	4.0	mA

Table 9

Item	Symbol	Condition	Ta = -40°C to +85°C				Unit
			V <sub>CC</sub> = 2.5 V to 5.5 V		V <sub>CC</sub> = 1.6 V to 2.5 V		
			Min.	Max.	Min.	Max.	
Standby current consumption	I <sub>SB</sub>	V <sub>IN</sub> = V <sub>CC</sub> or GND	–	10.0	–	4.0	μA
Input leakage current 1	I <sub>LI1</sub>	SCL, SDA, V <sub>IN</sub> = GND to V <sub>CC</sub>	–	1.0	–	1.0	μA
Input leakage current 2	I <sub>LI2</sub>	A1, A2 V <sub>IN</sub> > 0.7 × V <sub>CC</sub> At standby mode	–	1.0	–	1.0	μA
Output leakage current	I <sub>LO</sub>	SDA V <sub>OUT</sub> = GND to V <sub>CC</sub>	–	1.0	–	1.0	μA
Input current 1	I <sub>IL</sub>	WP V <sub>IN</sub> < 0.3 × V <sub>CC</sub>	–	50.0	–	50.0	μA
Input current 2	I <sub>IH</sub>	WP V <sub>IN</sub> > 0.7 × V <sub>CC</sub>	–	2.0	–	2.0	μA
Input Impedance 1	Z <sub>IL</sub>	WP V <sub>IN</sub> = 0.3 × V <sub>CC</sub>	30	–	30	–	kΩ
Input Impedance 2	Z <sub>IH</sub>	WP V <sub>IN</sub> = 0.7 × V <sub>CC</sub>	500	–	500	–	kΩ
Low level output voltage	V <sub>OL</sub>	I <sub>OL</sub> = 3.2 mA	–	0.4	–	–	V
		I <sub>OL</sub> = 1.5 mA	–	0.3	–	0.3	V
		I <sub>OL</sub> = 0.7 mA	–	0.2	–	0.2	V

■ AC Electrical Characteristics

Table 10 Measurement Conditions

Input pulse voltage	$0.2 \times V_{CC}$ to $0.8 \times V_{CC}$
Input pulse rising / falling time	20 ns or less
Output reference voltage	$0.3 \times V_{CC}$ to $0.7 \times V_{CC}$
Output load	100 pF

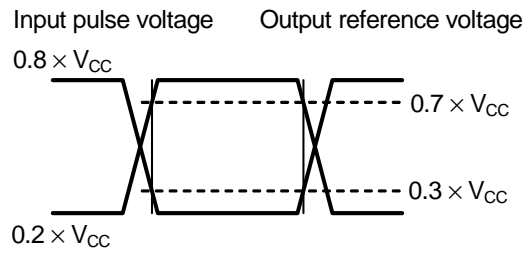


Figure 3 I/O Waveform during AC Measurement

Table 11

Item	Symbol	Ta = -40°C to +85°C				Unit
		V <sub>CC</sub> = 2.5 V to 5.5 V		V <sub>CC</sub> = 1.6 V to 2.5 V		
		Min.	Max.	Min.	Max.	
SCL clock frequency	f <sub>SCL</sub>	0	1000	0	400	kHz
SCL clock time "L"	t <sub>LOW</sub>	0.4	–	1.3	–	μs
SCL clock time "H"	t <sub>HIGH</sub>	0.3	–	0.6	–	μs
SDA output delay time	t <sub>AA</sub>	0.1	0.5	0.1	0.9	μs
SDA output hold time	t <sub>DH</sub>	50	–	50	–	ns
Start condition setup time	t <sub>SU.STA</sub>	0.25	–	0.6	–	μs
Start condition hold time	t <sub>HD.STA</sub>	0.25	–	0.6	–	μs
Data input setup time	t <sub>SU.DAT</sub>	80	–	100	–	ns
Data input hold time	t <sub>HD.DAT</sub>	0	–	0	–	ns
Stop condition setup time	t <sub>SU.STO</sub>	0.25	–	0.6	–	μs
SCL, SDA rising time	t <sub>R</sub>	–	0.3	–	0.3	μs
SCL, SDA falling time	t <sub>F</sub>	–	0.3	–	0.3	μs
WP setup time	t <sub>WS1</sub>	0	–	0	–	μs
WP hold time	t <sub>WH1</sub>	0	–	0	–	μs
WP release setup time	t <sub>WS2</sub>	0	–	0	–	μs
WP release hold time	t <sub>WH2</sub>	0	–	0	–	μs
Bus release time	t <sub>BUF</sub>	0.5	–	1.3	–	μs
Noise suppression time	t <sub>I</sub>	–	50	–	50	ns

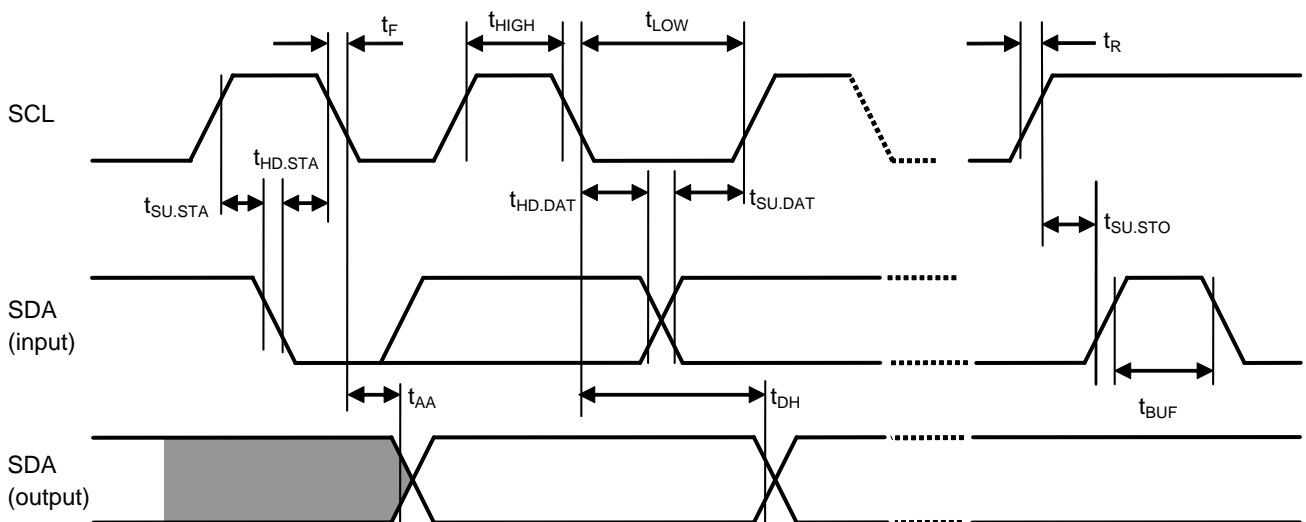


Figure 4 Bus Timing

Table 12

Item	Symbol	Ta = -40°C to +85°C		Unit
		V <sub>CC</sub> = 1.7 V to 5.5 V		
		Min.	Max.	
Write time	t <sub>WR</sub>	-	5.0	ms

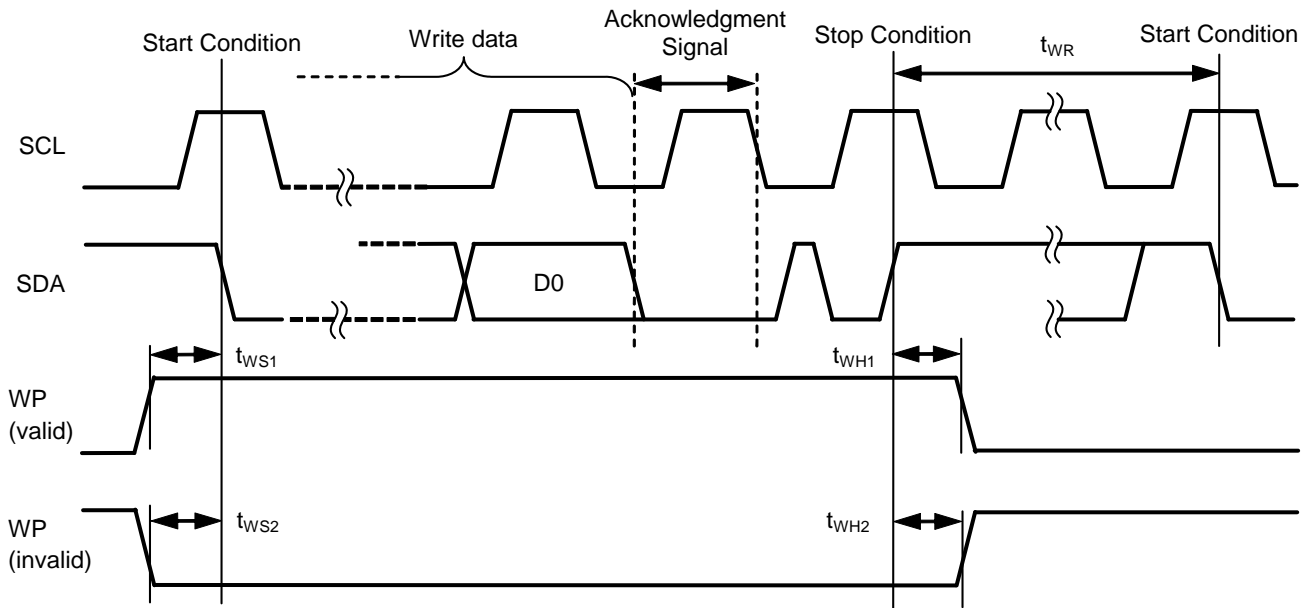


Figure 5 Write Cycle Timing

■ **Pin Functions**

**1. A1 and A2 (Slave address input) pins**

In the S-24CM01C, to set the slave address, connect each pin of A1, A2 to GND or V<sub>CC</sub>. Therefore the users can set 4 types of slave address by a combination of A1, A2 pins.

Comparing the slave address transmitted from the master device and one that you set, makes possible to select the S-24CM01C from other devices connected onto the bus.

Each A1 and A2 pin has a pull-down resistor. In open, these pins have the status when they are connected to GND.

**2. SDA (Serial data input / output) pin**

The SDA pin is used for the bi-directional transmission of serial data. This pin is a signal input pin, and an Nch open drain output pin.

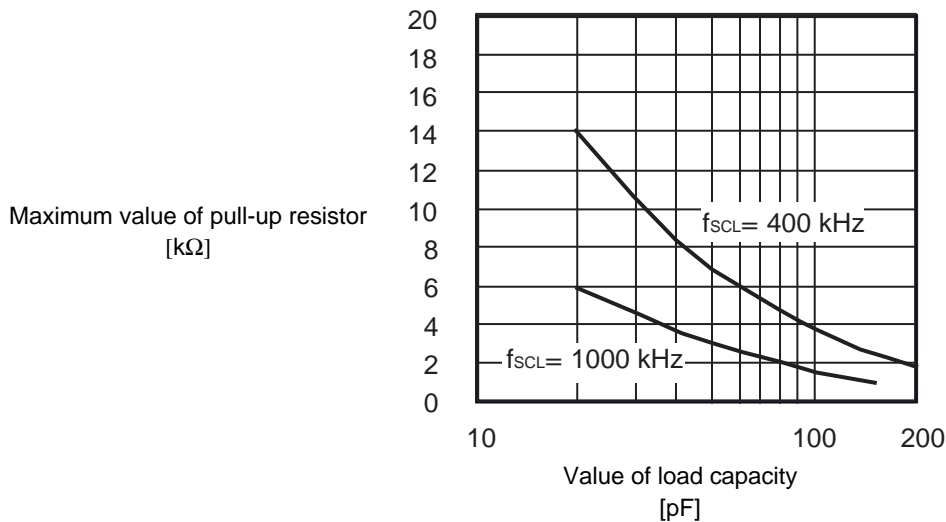
In use, generally, connect the SDA line to any other device which has the open-drain or open-collector output with Wired-OR connection by pulling up to V<sub>CC</sub> by a resistor (**Figure 6** shows the relation with an output load).

**3. SCL (Serial clock input) pin**

The SCL pin is used for the serial clock input. Since the signals are processed at a rising or falling edge of the SCL clock, pay attention to the rising and falling time and comply with the specification.

**4. WP (Write protect input) pin**

The write protect is enabled by connecting the WP pin to V<sub>CC</sub>. When not using the write protect, connect this pin to GND or set in open.



**Figure 6 Output Load**

■ **Initial Shipment Data**

Initial shipment data of all addresses is "FFh".



## ■ ECC Function (Error correction function)

S-24CM01C Series adds 6 ECC bits for error correction to each 4 bytes with the same address of P0, W15 to W2. The ECC function can make correction and output correct data even if wrong data of 1 bit is in the 4 bytes when reading.

In addition, the S-24CM01C Series rewrites the 4 bytes used as the rewriting minimum unit and 6 ECC bits if only 1 byte data is input.

Therefore, it is recommended to rewrite data of each 4 bytes with the same address of P0, W15 to W2 in order to get the maximum endurance in the application in which the data is rewritten frequently.

## ■ Operation

### 1. Start condition

Start is identified by a high to low transition of the SDA line while the SCL line is stable at high. Every operation begins from a start condition.

### 2. Stop condition

Stop is identified by a low to high transition of the SDA line while the SCL line is stable at high.

When a device receives a stop condition during a read sequence, the read operation is interrupted, and the device enters standby mode.

When a device receives a stop condition during a write sequence, the reception of the write data is halted, and the S-24CM01C initiates a write cycle.

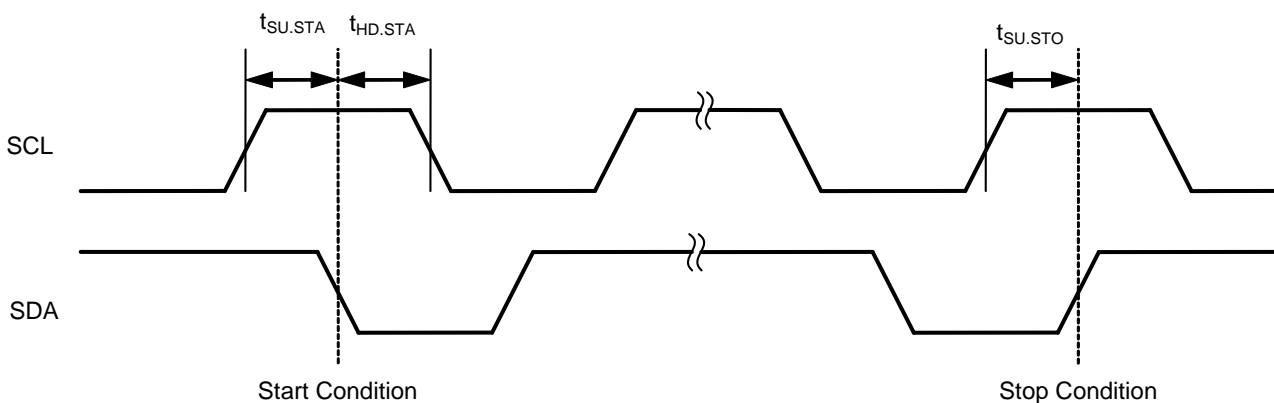
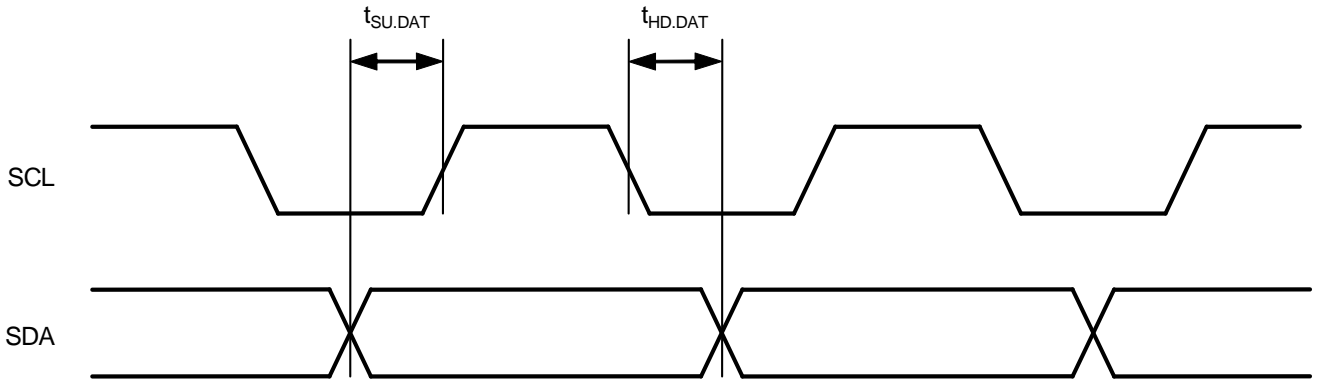


Figure 7 Start / Stop Conditions

**3. Data transmission**

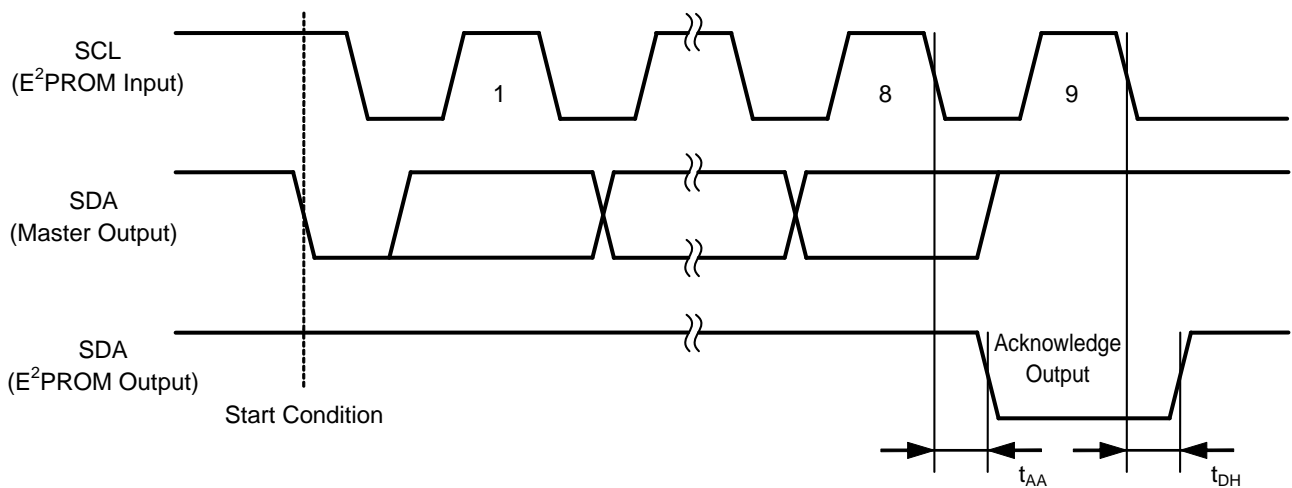
Changing the SDA line while the SCL line is low, data is transmitted.  
 Changing the SDA line while the SCL line is high, a start or stop condition is recognized.



**Figure 8 Data Transmission Timing**

**4. Acknowledge**

The unit of data transmission is 8 bits. During the 9th clock cycle period the receiver on the bus pulls down the SDA line to acknowledge the receipt of the 8-bit data.  
 When an internal write cycle is in progress, the S-24CM01C does not generate an acknowledge.



**Figure 9 Acknowledge Output Timing**

## 5. Device addressing

To start communication, the master device on the system sends a start condition to the bus line. Next, the master device sends a 7-bit device address and a 1-bit read / write instruction code to the SDA bus.

The upper 4 bits of the device address are the "Device Code", and are fixed to "1010".

In the S-24CM01C, 2 bits with successive values are called the "Slave Address". These bits are used to identify a device on the system bus and are compared with a predetermined value defined by the address input pins (A2 and A1). If the comparison result is a match, the slave device responds with an acknowledge during the 9th clock cycle.

The bit that follows the slave address (P0) is the "Page Address". This bit is used to select one of two 64 K-byte memory blocks (addresses 00000h to 0FFFFh, and addresses 10000h to 1FFFFh).

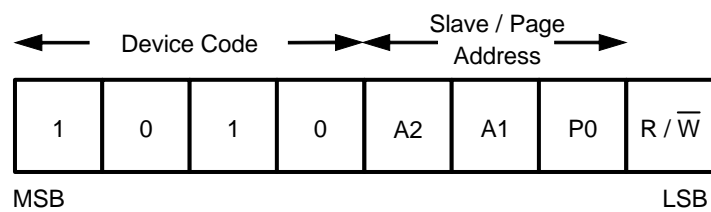


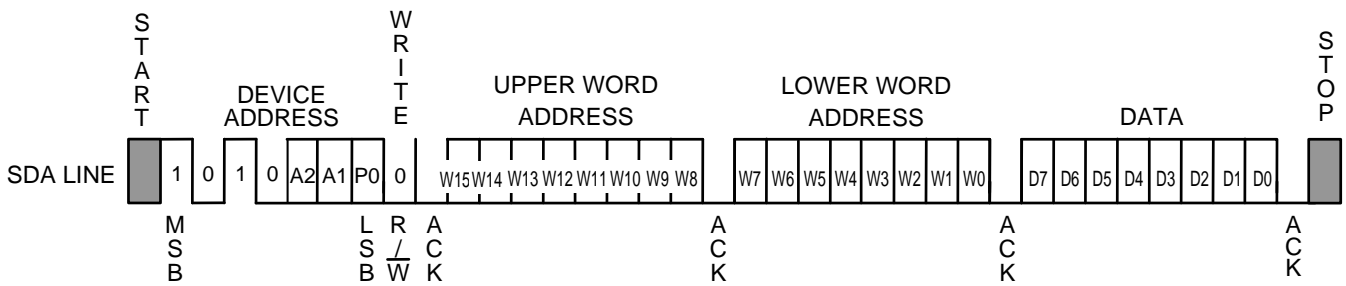
Figure 10 Device Address

**6. Write**

**6.1 Byte write**

When the master sends a 7-bit device address and a 1-bit read / write instruction code set to “0” following a start condition, the S-24CM01C acknowledges it. The S-24CM01C then receives the upper 8-bit word address and responds with an acknowledge. The S-24CM01C then receives the lower 8-bit word address and responds with an acknowledge. After the S-24CM01C receives 8-bit write data and responds with an acknowledge, it receives a stop condition and that initiates the write cycle at the addressed memory.

During the write cycle, all operations are forbidden and no acknowledge is generated.



**Figure 11 Byte Write**

6.2 Page write

The page write mode allows up to 256 bytes to be written in a single write operation in the S-24CM01C. The basic process used to transmit data is the same as byte write, but page write involves sequentially receiving as much 8-bit write data as the size of the page.

When the S-24CM01C receives a 7-bit device address and a 1-bit read / write instruction code set to "0" following a start condition, it generates an acknowledge. The S-24CM01C then receives the upper 8-bit word address, and responds with an acknowledge. The S-24CM01C then receives the lower 8-bit word address, and responds with an acknowledge. After the S-24CM01C receives 8-bit write data and responds with an acknowledge, it receives 8-bit write data corresponding to the next word address, and generates an acknowledge. The S-24CM01C repeats reception of 8-bit write data and generation of acknowledges in succession. The S-24CM01C can receive as much write data as the maximum page size.

Receiving a stop condition initiates a write cycle of the area starting from the designated memory address and with a page size equal to the received write data.

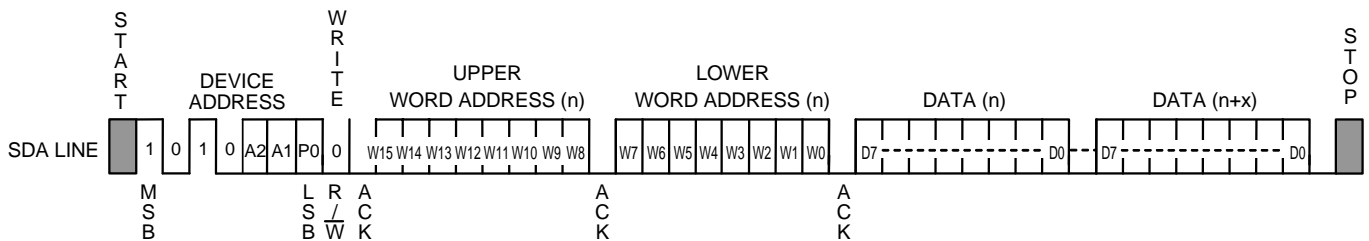


Figure 12 Page Write

In the S-24CM01C, the lower 8 bits of the word address are automatically incremented every time the S-24CM01C receives 8-bit write data. If the size of the write data exceeds 256 bytes, the upper 8 bits of the word address and the page address (P0) remain unchanged, and the lower 8 bits are rolled over so that the last 256-byte data that the S-24CM01C received is overwritten.

**6.3 Write protect**

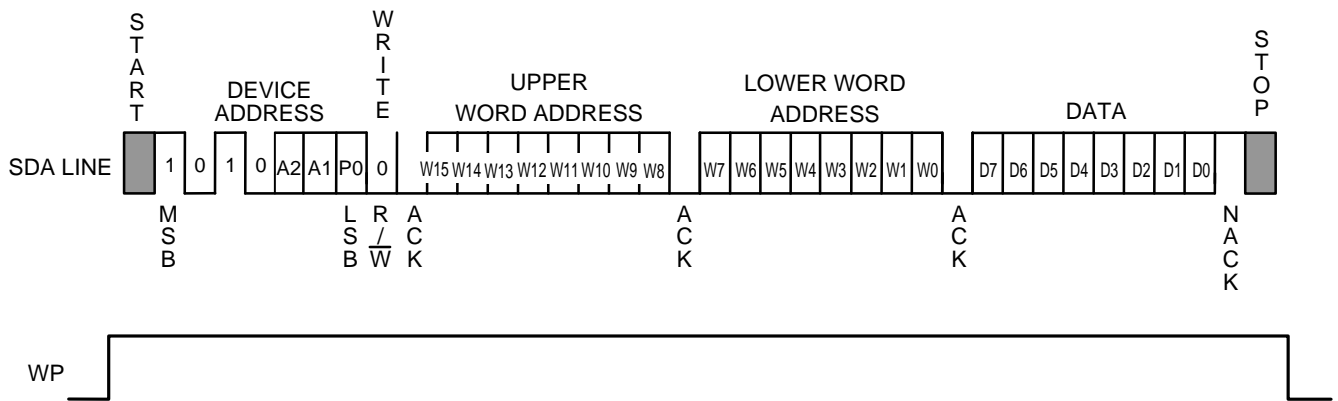
Write protect is available in the S-24CM01C. When the WP pin is connected to the V<sub>CC</sub>, write operation to memory area is inhibited.

When the WP pin is connected to GND or set in open, the write protect is invalid, and write operation in all memory area is available.

Fix the level of the WP pin from start condition in the write operation (byte write, page write) until stop condition. If the WP pin changes during this time, the address data being written at this time is not guaranteed. Regarding the timing of write protect, refer to **Figure 5**.

In not using the write protect, connect the WP pin to GND or set it open. The write protect is valid in the range of operation power supply voltage.

As seen in **Figure 13** when the write protect is valid, the S-24CM01C does not generate an acknowledgment signal after data input.



**Figure 13 Write Protect**

6.4 Acknowledge polling

Acknowledge polling is used to know the completion of the write cycle in the S-24CM01C.

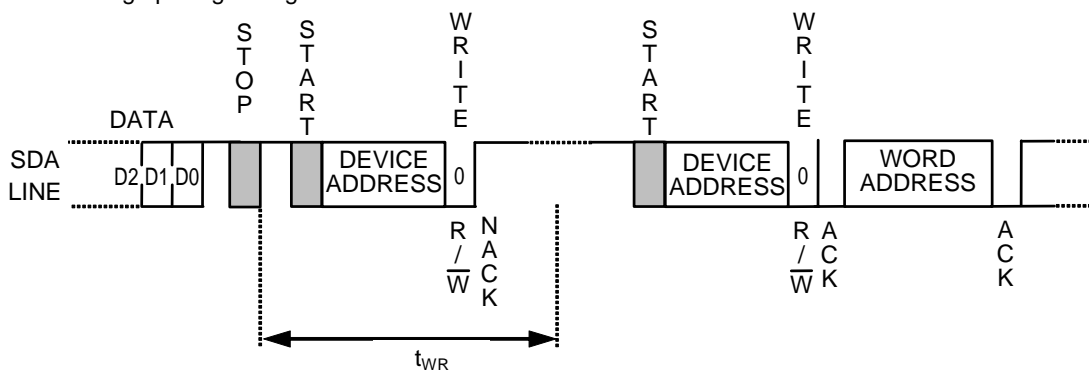
After the S-24CM01C receives a stop condition and once the write cycle starts, all operations are inhibited and no response is made to the signal transmitted by the master device.

Accordingly the master device can recognize the completion of the write cycle in the S-24CM01C by detecting a response from the slave device after transmitting the start condition, the device address and the read / write instruction code to the S-24CM01C (slave device).

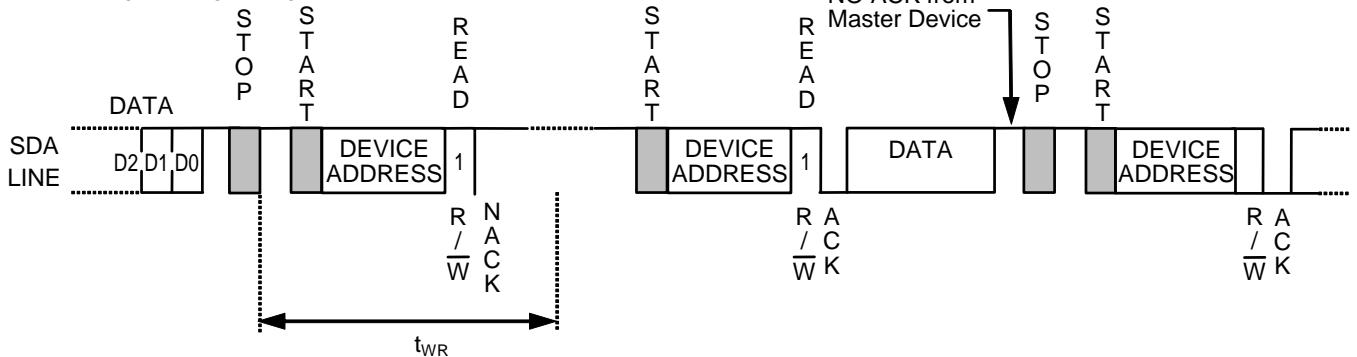
That is, if the S-24CM01C does not generate an acknowledgment signal, the write cycle is in progress and if the S-24CM01C generates an acknowledgment signal, the write cycle has been completed.

It is recommended to use the read instruction “1” as the read / write instruction code transmitted by the master device.

Acknowledge polling during write



Acknowledge polling during read



**Remark** Users are able to input word address and data after ACK output in acknowledge polling during write. Users are able to read data after ACK output in acknowledge polling during read. However, after that users input the write instruction, a start condition may not be input during data output. Input a stop condition and the next instruction after data output and ACK output.

Figure 14 Usage Example of Acknowledge Polling

## 7. Read

### 7.1 Current address read

Either in writing or in reading, the S-24CM01C holds the last accessed memory address. The memory address is maintained as long as the power voltage does not decrease less than the operating voltage.

The master device can read the data at the memory address of the current address pointer without assigning the word address as a result, when it recognizes the position of the address pointer in the S-24CM01C. This is called "Current Address Read".

In the following, the address counter in the S-24CM01C is assumed to be "n".

When the S-24CM01C receives a 7-bit device address and a 1-bit read / write instruction code set to "1" following a start condition, it responds with an acknowledge.

Next, an 8-bit data at the address "n" is sent from the S-24CM01C synchronous to the SCL clock. The address counter is incremented and the content of the address counter becomes n + 1.

The master device outputs stop condition not an acknowledge, the reading of S-24CM01C is ended.

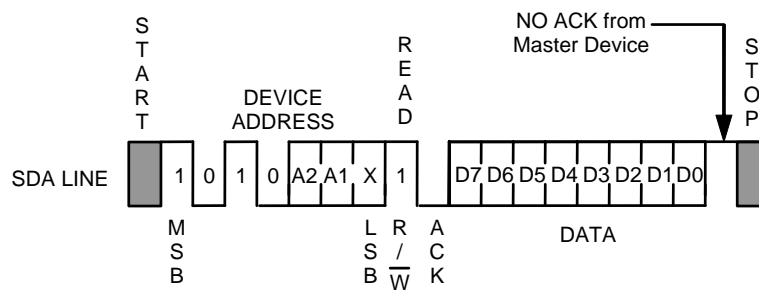


Figure 15 Current Address Read

Attention should be paid to the following point on the recognition of the address pointer in the S-24CM01C.

When reading, the memory address counter in the S-24CM01C is automatically incremented after the 8th bit of data is output. When writing, on the other hand, the upper bits of the memory address (the upper bits of the word address and the page address<sup>\*1</sup>) are left unchanged and are not incremented.

\*1. The upper 8 bits of the word address and the page address (P0)



7.2 Random read

Random read is used to read the data at an arbitrary memory address. A dummy write is performed to load the memory address into the address counter. When the S-24CM01C receives a 7-bit device address and a 1-bit read / write instruction code set to “0” following a start condition, it responds with an acknowledge. The S-24CM01C then receives a upper 8-bit word address and responds with an acknowledge. And the S-24CM01C receives a lower 8-bit word address and responds with an acknowledge. The memory address is loaded to the address counter in the S-24CM01C by these operations. Reception of write data does not follow in a dummy write whereas reception of write data follows in byte write and in page write. Since the memory address is loaded into the memory address counter by dummy write, the master device can read the data starting from the arbitrary memory address by transmitting a new start condition and performing the same operation in the current address read. That is, when the S-24CM01C receives a 7-bit device address and a 1-bit read / write instruction code set to “1”, following a start condition signal, it responds with an acknowledge. Next, 8-bit data is transmitted from the S-24CM01C in synchronous to the SCL clock. The master device outputs stop condition not an acknowledge, the reading of S-24CM01C is ended.

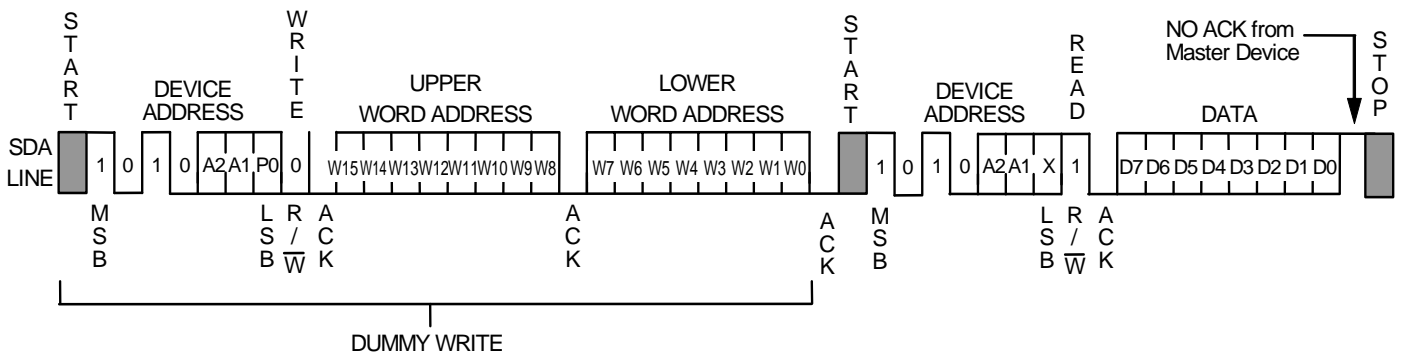


Figure 16 Random Read

**7.3 Sequential read**

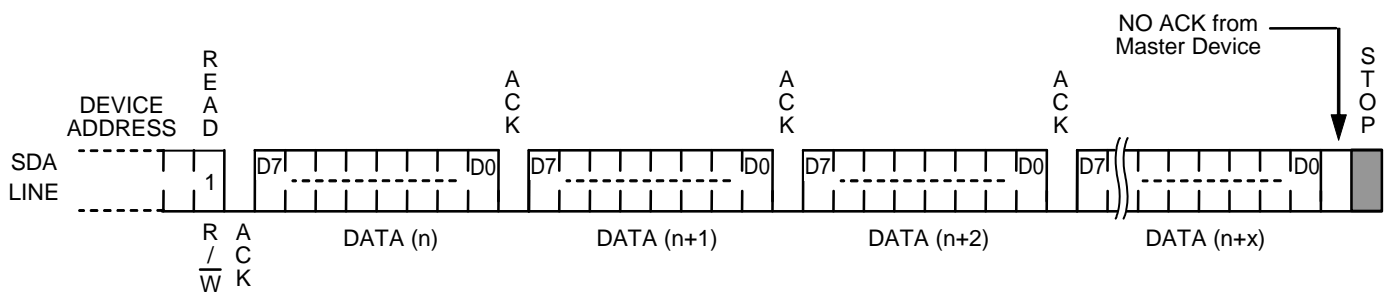
When the S-24CM01C receives a 7-bit device address and a 1-bit read / write instruction code set to "1" following a start condition both in current address read and random read, it responds with an acknowledge.

When an 8-bit data is output from the S-24CM01C synchronous to the SCL clock, the address counter is automatically incremented.

When the master device responds with an acknowledge, the data at the next memory address is transmitted. Response with an acknowledge by the master device has the memory address counter in the S-24CM01C incremented and makes it possible to read data in succession. This is called "Sequential Read".

The master device outputs stop condition not an acknowledge, the reading of S-24CM01C is ended.

Data can be read in succession in the sequential read mode. When the memory address counter reaches the last word address, it rolls over to the first word address.



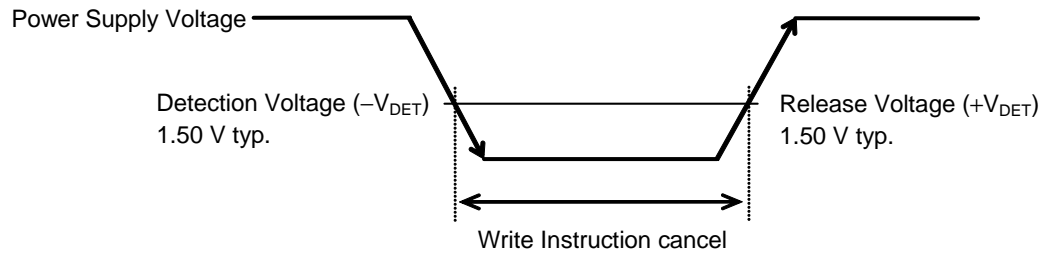
**Figure 17 Sequential Read**

### ■ Write Protect Function during the Low Power Supply Voltage

The S-24CM01C has a built-in detection circuit which operates with the low power supply voltage, cancels Write when the power supply voltage drops and power-on. Its detection and release voltages are 1.50 V typ. (Refer to **Figure 18**).

The S-24CM01C cancels Write by detecting a low power supply voltage when it receives a stop condition.

In the data transmission and the Write operation, data in the address written during the low power supply voltage is not assurable.



**Figure 18 Operation during Low Power Supply Voltage**

■ **Using S-24CM01C**

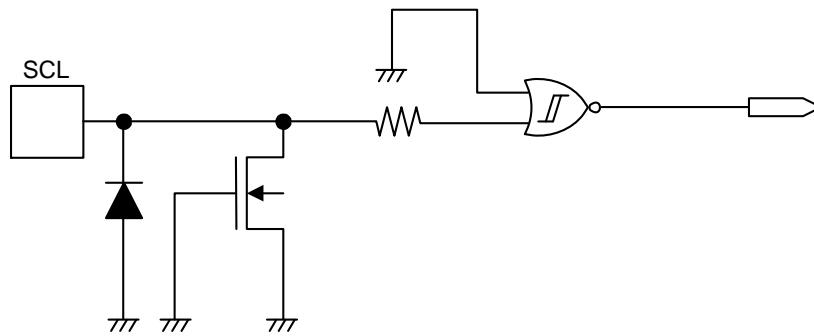
**1. Adding a pull-up resistor to SDA I/O pin and SCL input pin**

In consideration of I<sup>2</sup>C-bus protocol function, the SDA I/O pins should be connected with a pull-up resistor. The S-24CM01C cannot transmit normally without using a pull-up resistor.

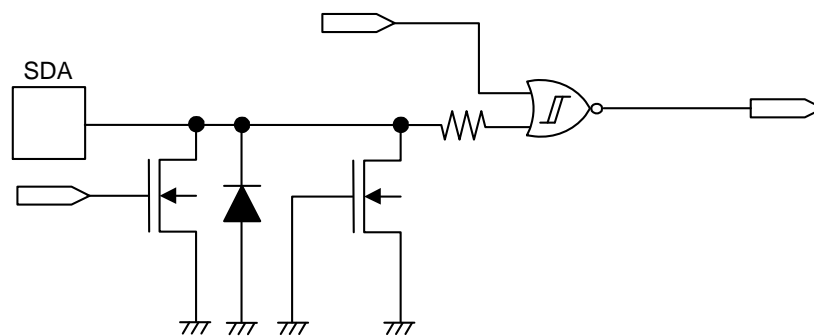
In case that the SCL input pin of the S-24CM01C is connected to the Nch open drain output pin of the master device, connect the SCL pin with a pull-up resistor. As well, in case the SCL input pin of the S-24CM01C is connected to the tri-state output pin of the master device, connect the SCL pin with a pull-up resistor in order not to set it in high impedance. This prevents the S-24CM01C from error caused by an uncertain output (high impedance) from the tri-state pin when resetting the master device during the voltage drop.

**2. Equivalent circuit of input and I/O pin**

The S-24CM01C does not have a built-in pull-down or pull-up resistor for the SCL and SDA pins. The WP, A2, and A1 pins have a pull-down resistor. The SDA pin has an open-drain output. The following are equivalent circuits of the pins.



**Figure 19 SCL Pin**



**Figure 20 SDA Pin**

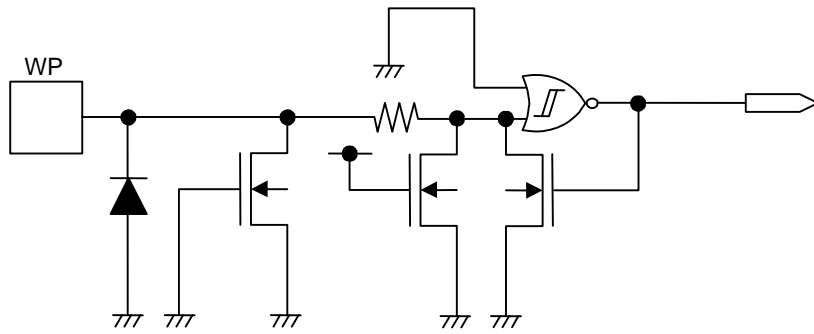


Figure 21 WP Pin

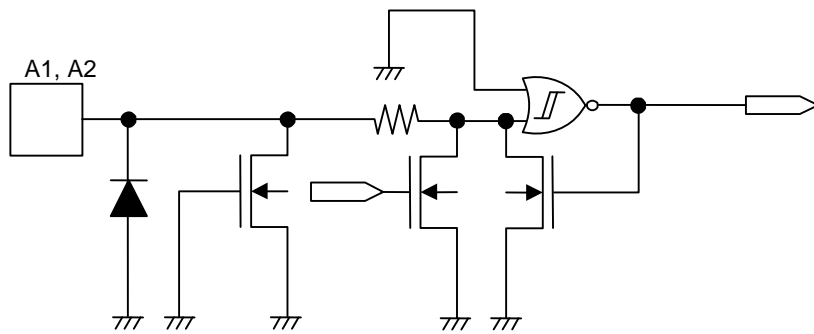


Figure 22 A1, A2 Pins

### 3. Phase adjustment during S-24CM01C access

The S-24CM01C does not have a pin to reset (the internal circuit). The users cannot forcibly reset it externally. If the communication to the S-24CM01C interrupted, the users need to handle it as you do for software.

In the S-24CM01C, users are able to reset the internal circuit by inputting a start condition and a stop condition.

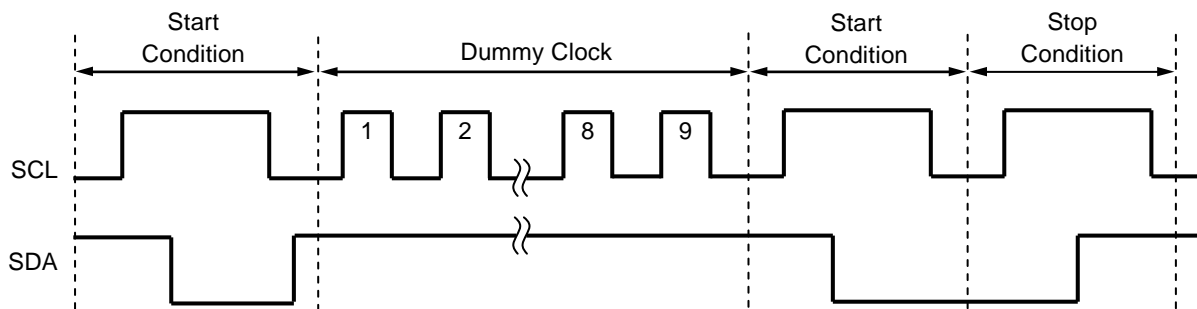
Although the reset signal is input to the master device, the S-24CM01C's internal circuit does not go in reset, but it does by inputting a stop condition to the S-24CM01C. The S-24CM01C keeps the same status thus cannot do the next operation. Especially, this case corresponds to that only the master device is reset when the power supply voltage drops.

If the power supply voltage restored in this status, input the instruction after resetting (adjusting the phase with the master device) the S-24CM01C. How to reset is shown below.

#### [How to reset S-24CM01C]

The S-24CM01C is able to be reset by a start and stop instructions. When the S-24CM01C is reading data "0" or is outputting the acknowledgment signal, outputs "0" to the SDA line. In this status, the master device cannot output an instruction to the SDA line. In this case, terminate the acknowledgment output operation or the Read operation, and then input a start instruction. **Figure 23** shows this procedure.

First, input a start condition. Then transmit 9 clocks (dummy clock) of SCL. During this time, the master device sets the SDA line to "H". By this operation, the S-24CM01C interrupts the acknowledgment output operation or data output, so input a start condition<sup>\*1</sup>. When a start condition is input, the S-24CM01C is reset. To make doubly sure, input the stop condition to the S-24CM01C. The normal operation is then possible.



**Figure 23 Resetting S-24CM01C**

\*1. After 9 clocks (dummy clock), if the SCL clock continues to being output without inputting a start condition, S-24CM01C may go in the write operation when it receives a stop condition. To prevent this, input a start condition after 9 clocks (dummy clock).

**Remark** Regarding this reset procedure with dummy clock, it is recommended to perform at the system initialization after applying the power supply voltage.

#### 4. Acknowledge check

The I<sup>2</sup>C-bus protocol includes an acknowledge check function as a handshake function to prevent a communication error. This function allows detection of a communication failure during data communication between the master device and S-24CM01C. This function is effective to prevent malfunction, so it is recommended to perform an acknowledge check with the master device.

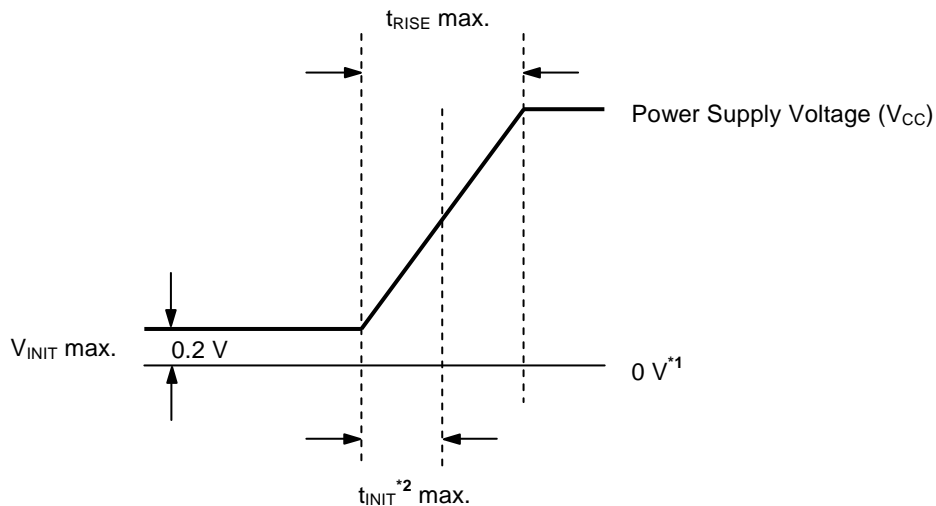
#### 5. Built-in power-on-clear circuit

The S-24CM01C has a built-in power-on-clear circuit that initializes itself at the same time during power-on. Unsuccessful initialization may cause a malfunction. To operate the power-on-clear circuit normally, the following conditions must be satisfied to raise the power supply voltage.

##### 5.1 Raising power supply voltage

Shown in **Figure 24**, raise the power supply voltage from 0.2 V max., within the time defined as  $t_{RISE}$  which is the time required to reach the power supply voltage to be set.

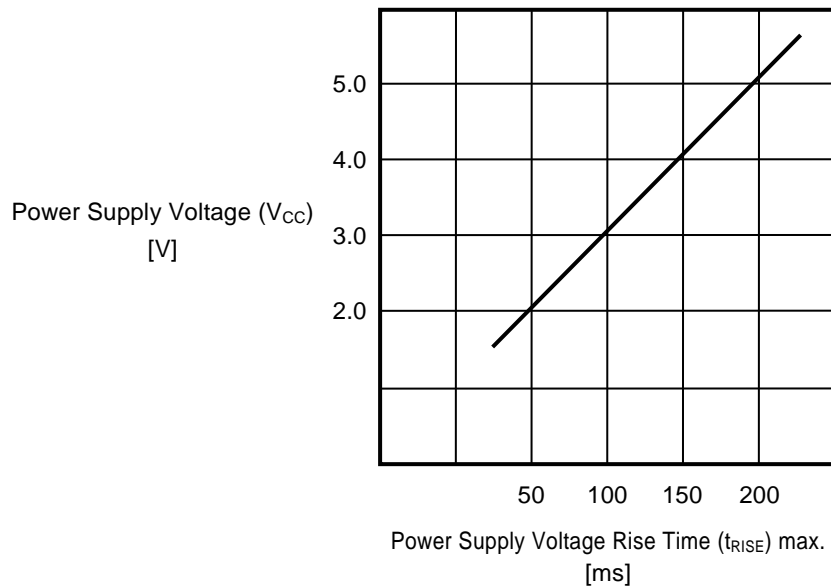
For example, if the power supply voltage is 5.0 V,  $t_{RISE} = 200$  ms seen in **Figure 25**. The power supply voltage must be raised within 200 ms.



\*1. 0 V means there is no difference in potential between the VCC pin and the GND pin of the S-24CM01C.

\*2.  $t_{INIT}$  is the time required to initialize the S-24CM01C. No instructions are accepted during this time.

**Figure 24 Raising Power Supply Voltage**



For example: If the power supply voltage = 5.0 V, raise the power supply voltage to 5.0 V within 200 ms.

**Figure 25 Power Supply Voltage Rise Time**

When initialization is successfully completed by the power-on-clear circuit, the S-24CM01C enters the standby status.

If the power-on-clear circuit does not operate;

The S-24CM01C has not completed initialization, an instruction previously input is still valid or an instruction may be inappropriately recognized. In this case, S-24CM01C may perform the Write operation.

The voltage drops due to power off while the S-24CM01C is being accessed. Even if the master device is reset due to the low power voltage, the S-24CM01C may malfunction unless the power-on-clear operation conditions of S-24CM01C are satisfied.

When not keeping to the power supply voltage rise time seen in **Figure 25**, adjust the phase (reset) to reset the internal circuit in the S-24CM01C normally.



5.2 Initialization time

The S-24CM01C initializes at the same time when the power supply voltage is raised. Input instructions to the S-24CM01C after initialization. S-24CM01C does not accept any instruction during initialization. **Figure 26** shows the initialization time of the S-24CM01C.

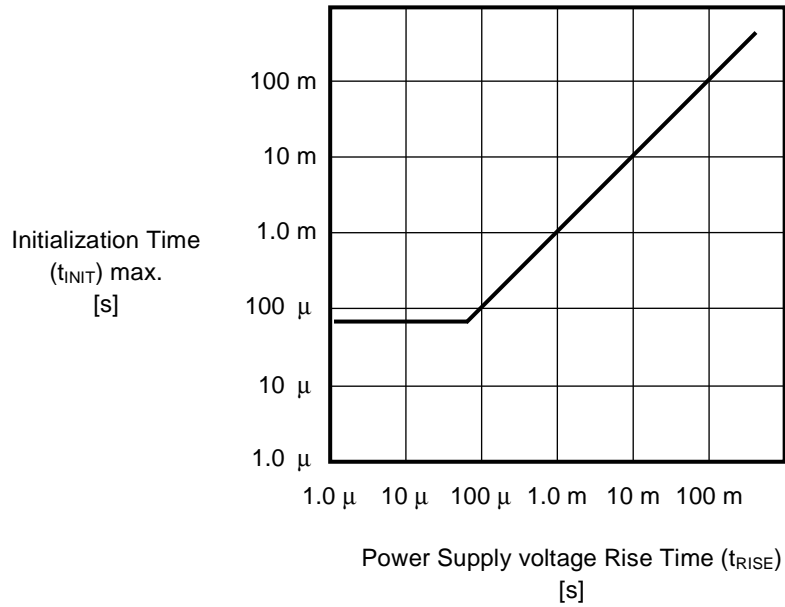


Figure 26 Initialization Time of S-24CM01C

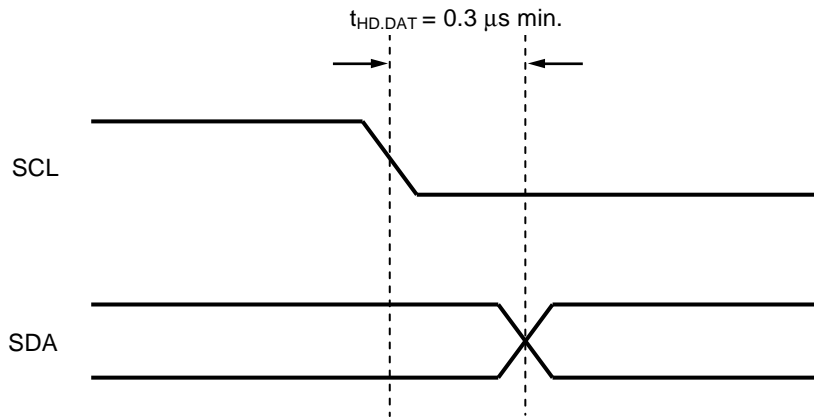
**6. Data hold time ( $t_{HD,DAT} = 0 \text{ ns}$ )**

If SCL and SDA of the S-24CM01C are changed at the same time, it is necessary to prevent a start / stop condition from being mistakenly recognized due to the effect of noise.

The S-24CM01C may error if it does not recognize a start / stop condition correctly during transmission.

It is recommended to set the delay time of  $0.3 \mu\text{s}$  minimum from a falling edge of SCL for the SDA.

This is to prevent S-24CM01C from going in a start / stop condition due to the time lag caused by the load of the bus line.

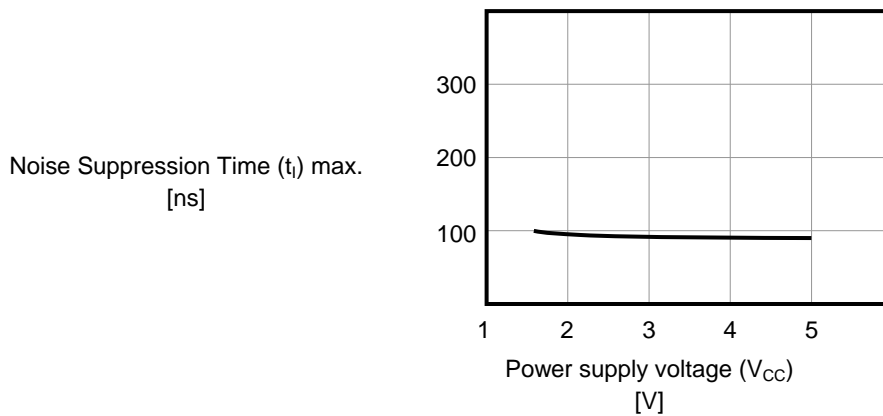


**Figure 27 S-24CM01C Data Hold Time**

**7. SDA pin and SCL pin noise suppression time**

The S-24CM01C includes a built-in low-pass filter at the SDA and SCL pins to suppress noise. This means that if the power supply voltage is  $5.0 \text{ V}$ , noise with a pulse width of  $90 \text{ ns}$  or less can be suppressed.

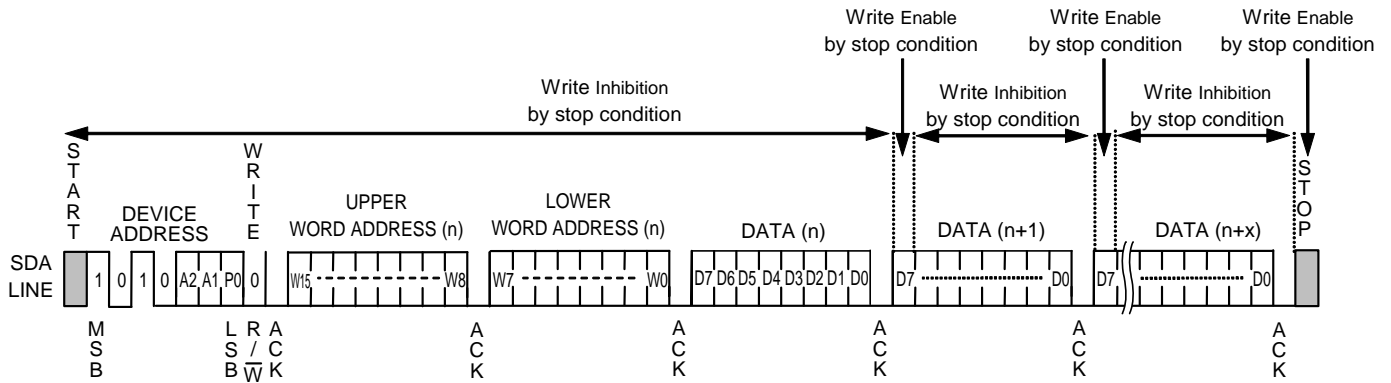
For details of the assurable value, refer to noise suppression time ( $t_i$ ) in **Table 11**.



**Figure 28 Noise Suppression Time for SDA and SCL Pins**

**8. Operation when input stop condition during input write data**

The S-24CM01C does the write operation only when it receives data of 1 byte or more and receives a stop condition immediately after ACK output.  
Refer to **Figure 29** regarding details.



**Figure 29 Write Operation by Inputting Stop Condition during Write**

**9. Command cancel by start condition**

By a start condition, users are able to cancel command which is being input. However, adjust the phase while the S-24CM01C is outputting “L” because users are not able to input a start condition. When users cancel the command, there may be a case that the address will not be identified. Use random read for the read operation, not current address read.

**10. Precaution for use**

Do not operate these ICs in excess of the absolute maximum ratings. Attention should be paid to the power supply voltage, especially. The surge voltage which exceeds the maximum absolute ratings can cause latch-up and malfunction. Perform operations after confirming the detailed operation condition in the data sheet.

Operations with moisture on the S-24CM01C pins may cause malfunction by short-circuit between pins. Especially, in occasions like picking the S-24CM01C up from low temperature tank during the evaluation. Be sure that not remain frost on the S-24CM01C’s pins to prevent malfunction by short-circuit.

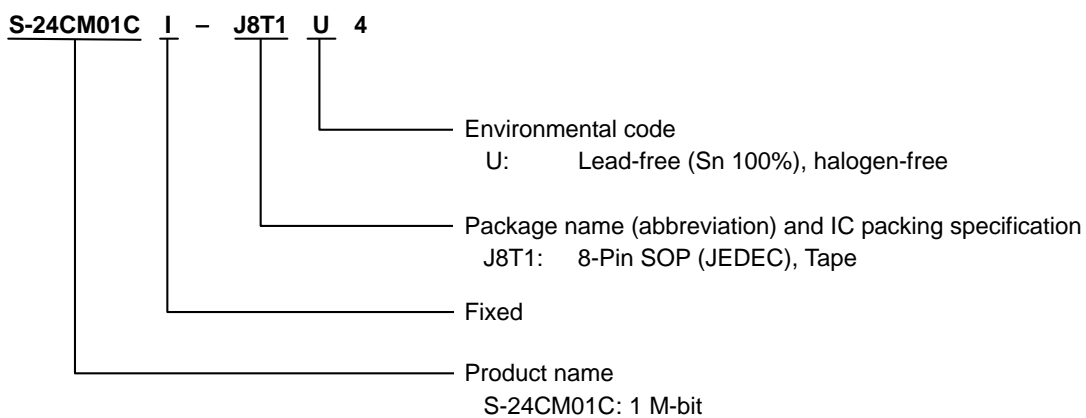
Also attention should be paid in using on environment, which is easy to dew for the same reason.

**■ Precautions**

- Insert a bypass capacitor of about 0.1 μF between the VCC and GND pins for stabilization.
- Do not apply an electrostatic charge to this IC that exceeds the performance ratings of the built-in electrostatic protection circuit.
- SII claims no responsibility for any and all disputes arising out of or in connection with any infringement of the products including this IC upon patents owned by a third party.

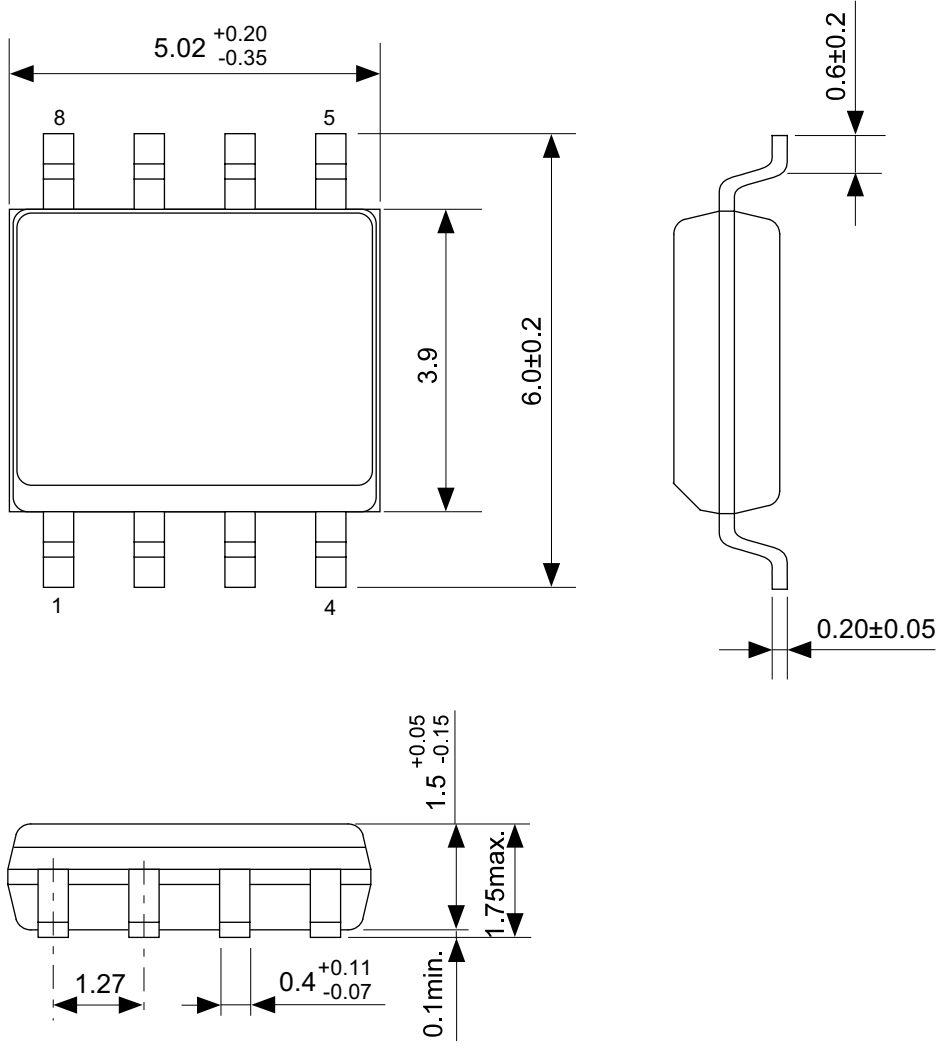
**■ Product Name Structure**

**1. Product name**



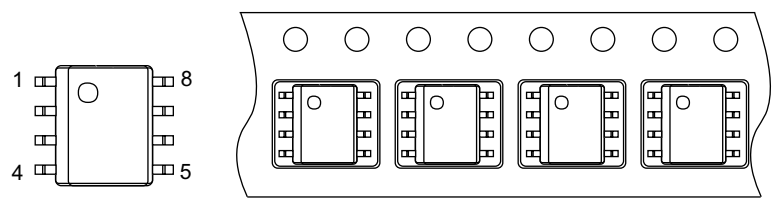
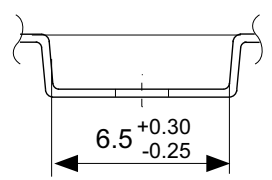
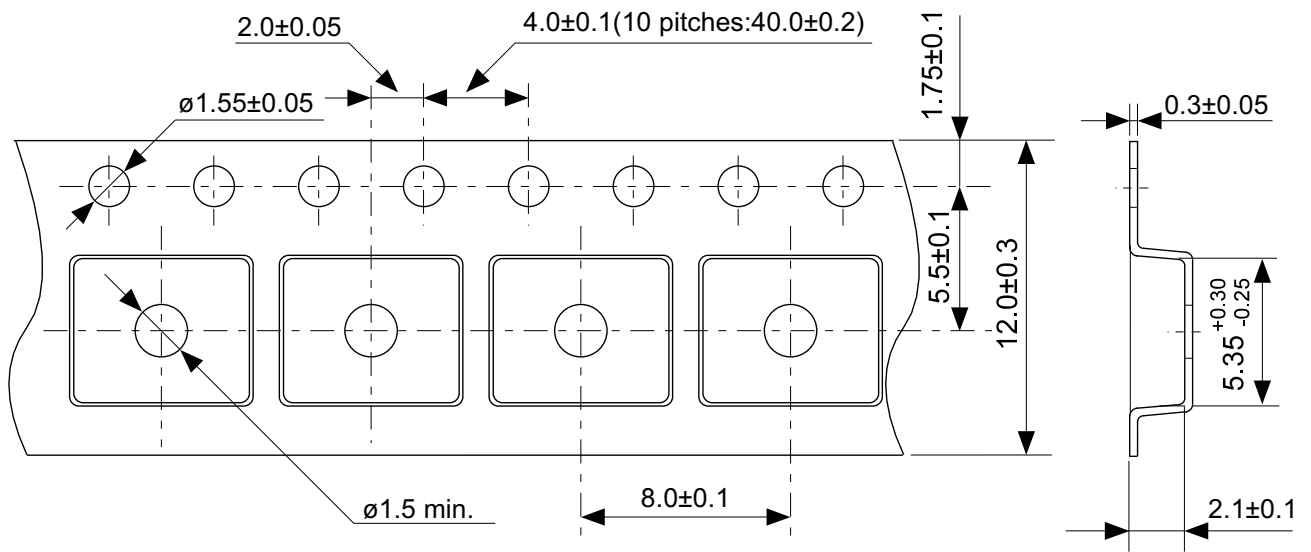
**2. Package**

Package name	Drawing code		
	Package	Tape	Reel
8-Pin SOP (JEDEC)	FJ008-Z-P-SD	FJ008-Z-C-SD	FJ008-Z-R-SD



No. FJ008-Z-P-SD-2.0

TITLE	SOP8J-Z-PKG Dimensions
No.	FJ008-Z-P-SD-2.0
SCALE	
UNIT	mm
Seiko Instruments Inc.	

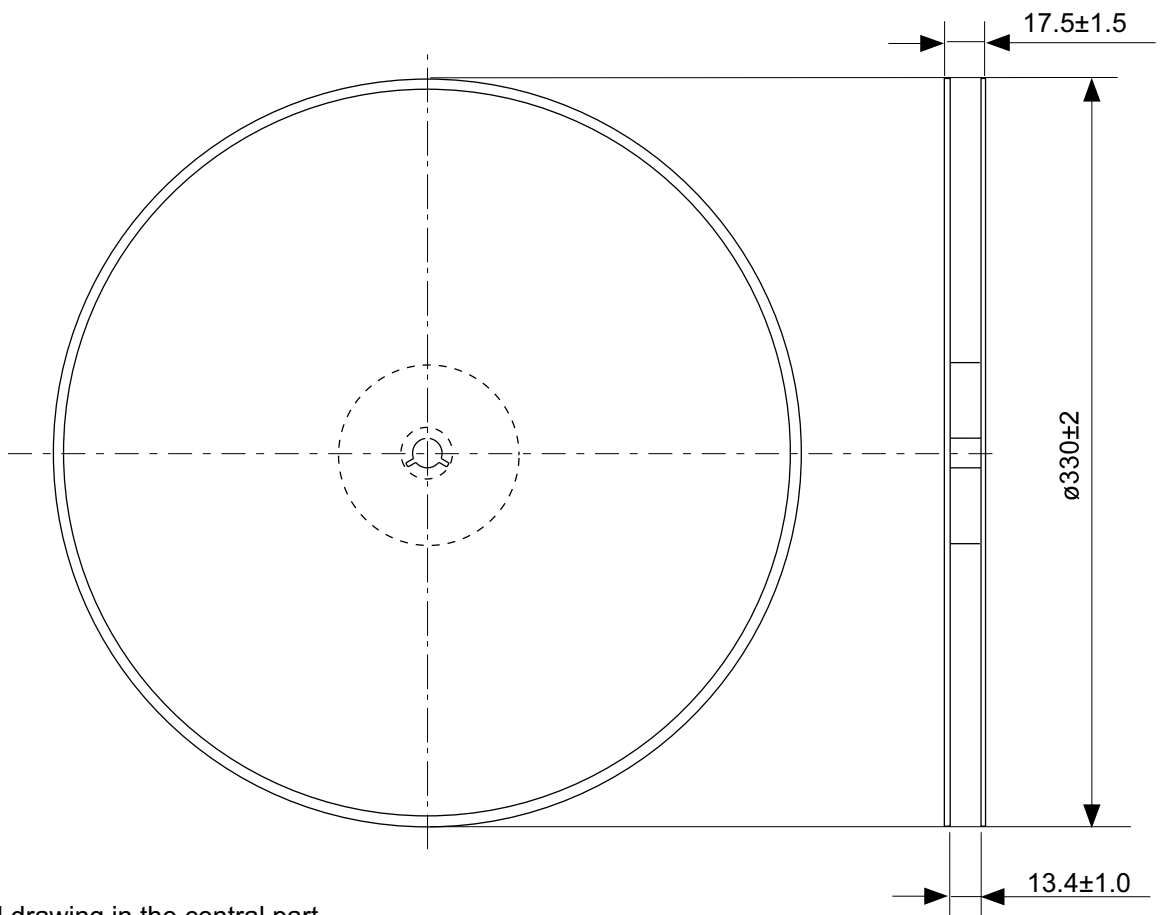


→  
Feed direction

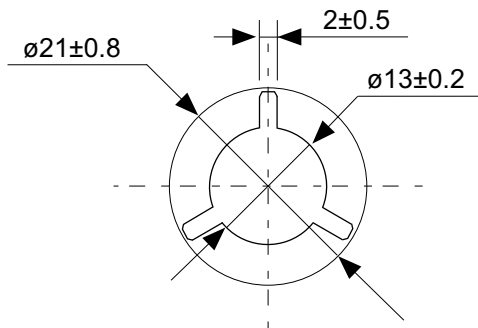
No. FJ008-Z-C-SD-1.0

TITLE	SOP8J-Z-Carrier Tape
No.	FJ008-Z-C-SD-1.0
SCALE	
UNIT	mm

Seiko Instruments Inc.



Enlarged drawing in the central part



No. FJ008-Z-R-SD-1.0

TITLE	SOP8J-Z-Reel		
No.	FJ008-Z-R-SD-1.0		
SCALE		QTY.	4,000
UNIT	mm		
Seiko Instruments Inc.			



Seiko Instruments Inc.  
[www.sii-ic.com](http://www.sii-ic.com)

- The information described herein is subject to change without notice.
- Seiko Instruments Inc. is not responsible for any problems caused by circuits or diagrams described herein whose related industrial properties, patents, or other rights belong to third parties. The application circuit examples explain typical applications of the products, and do not guarantee the success of any specific mass-production design.
- When the products described herein are regulated products subject to the Wassenaar Arrangement or other agreements, they may not be exported without authorization from the appropriate governmental authority.
- Use of the information described herein for other purposes and/or reproduction or copying without the express permission of Seiko Instruments Inc. is strictly prohibited.
- The products described herein cannot be used as part of any device or equipment affecting the human body, such as exercise equipment, medical equipment, security systems, gas equipment, vehicle equipment, in-vehicle equipment, aviation equipment, aerospace equipment, and nuclear-related equipment, without prior written permission of Seiko Instruments Inc.
- The products described herein are not designed to be radiation-proof.
- Although Seiko Instruments Inc. exerts the greatest possible effort to ensure high quality and reliability, the failure or malfunction of semiconductor products may occur. The user of these products should therefore give thorough consideration to safety design, including redundancy, fire-prevention measures, and malfunction prevention, to prevent any accidents, fires, or community damage that may ensue.



## X-ON Electronics

Largest Supplier of Electrical and Electronic Components

*Click to view similar products for [EEPROM](#) category:*

*Click to view products by [ABLIC](#) manufacturer:*

Other Similar products are found below :

[M29F040-70K6](#) [718278CB](#) [718620G](#) [444358RB](#) [444362FB](#) [BR93C46-WMN7TP](#) [EEROMH](#) [CAT25320YIGT-KK](#) [LE24C162-R-E](#) [5962-8751409YA](#) [BR9016AF-WE2](#) [LE2464DXATBG](#) [CAS93C66VP2I-GT3](#) [W60002FT20T](#) [CAT24S128C4UTR](#) [ZD24C64B-SSGMA0](#) [BL24C04F-RRRC](#) [S-25C040A0I-I8T1U](#) [AT24C256BY7-YH-T](#) [M24C64-DFCT6TPK](#) [BR24C21FJ-E2](#) [BR24G02FVJ-3GTE2](#) [BR24L16FJ-WE2](#) [BR24L16FVJ-WE2](#) [BR24S16FJ-WE2](#) [BR24S256F-WE2](#) [BR93L56RFV-WE2](#) [BR93L66F-WE2](#) [BR93L76RFV-WE2](#) [CAT24C64C4CTR](#) [CHL24C32WEGT3](#) [AT28HC256E-12SU-T](#) [AT93C46DY6-YH-T](#) [BR24T02FVT-WSGE2](#) [M35B32-WMN6TP](#) [M24C64-FMC6TG](#) [M24C08-WDW6TP](#) [CAT25080VP2IGTQH](#) [CAT25020ZIGT-QP](#) [CAT24C01VP2I-GT3](#) [CAT93C76BZI-GT3](#) [CAT64LC40WI-T3](#) [CAT25256HU4E-GT3](#) [CAT25128VP2I-GT3](#) [CAT25040VP2I-GT3](#) [CAT25020VP2I-GT3](#) [CAT24C16ZI-G](#) [CAT24C05LI-G](#) [CAT24C01ZI-G](#) [CAT24C05WI-G](#)