

FOX PART NUMBER: 495-25-141

Ceramic, Seam-Sealed, SMD, Crystal



Model: FX532B Series

RoHS / REACH Compliant / Pb Free

Rev. 3/25/2015

Page 1 of 1

http://www.foxonline.com/need_a_sample.htm

Need a
Sample®

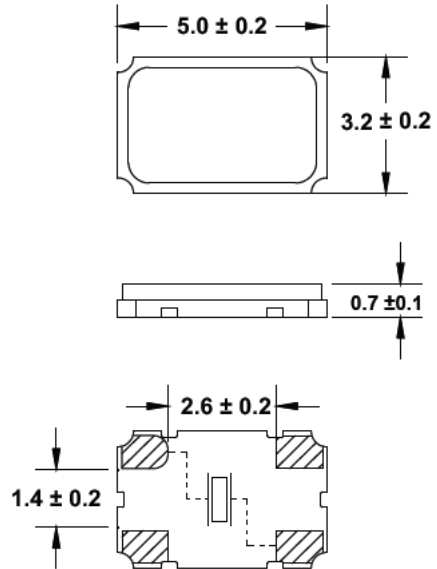
For Use with:
IDT'S VCXO-BASED SYNCHRONIZATION PLLS

• FOX PART NUMBER: 495-25-141		
Part Number	Model Number	Frequency
495-25-141	FX532B	25.000 MHz

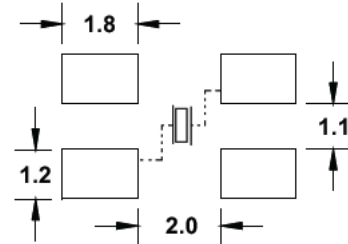
• STANDARD SPECIFICATIONS	
PARAMETERS	MAX (unless otherwise noted)
Frequency	25.000 MHz
Resonance Mode	Fundamental
Frequency Tolerance @ 25°C	±10 PPM
Frequency Stability, ref @ 25°C Over Operating Temp Range	±20 PPM
Temperature Range	
Operating (TOPR)	-40°C ~ +85°C
Storage (TSTG)	-40°C ~ +85°C
Equivalent Series Resistance (ESR)	40 Ohms
Shunt Capacitance (Co)	7.0 pF
Load Capacitance (CL)	10 pF
Drive Level	0.2 mW
Pullability 7.5 - 14.8pF	±70 PPM
Aging 10 Yrs	±11 PPM
Maximum Soldering Temp / Time	260°C / 10 Seconds
Termination Finish	Au
Moisture Sensitivity Level (MSL)	1
Weight (TYP)	42.78 mg

Note: Dimensional drawing is for reference to critical specifications defined by size measurements. Certain non-critical visual attributes, such as side castellations, etc. may vary. The above specifications, having been carefully prepared and checked, is believed to be accurate at the time of publication; however, no responsibility is assumed by Fox Electronics for inaccuracies. All specifications subject to change without notice.

B. Mechanical / Dimensions (millimeters):



Recommended Solder Pad Layout



All dimensions are in millimeters.

X-ON Electronics

Largest Supplier of Electrical and Electronic Components

Click to view similar products for [Crystals](#) category:

Click to view products by [Abracon](#) manufacturer:

Other Similar products are found below :

[MC405 32.0000K-R3:PURE SN](#) [7B-27.000MBBK-T](#) [MP1-8.0 99-BU](#) [9B-15.360MBBK-B](#) [PTX-A2JM-10.000M](#) [9C-7.680MBBK-T](#) [H10S-12.000-18-EXT-TR](#) [R38-32.768-12.5-5PPM-NPB](#) [BTD1062E05A-513](#) [21U15A-21.4MHZ](#) [RTX-781DF1-S-20.950](#) [LFXTAL066198Cutt](#) [9C-14.31818MBBK-T](#) [A-11.000MHZ-27](#) [SPT2A-.032768B](#) [SPT2A.032768G](#) [SSPT7F-9PF20-R](#) [FX325BS-38.88EEM1201](#) [MP-1-25.000MHZ-3L](#) [MP-1-6.000MHZ](#) [LFXTAL065253Cutt](#) [LFXTAL066431Cutt](#) [XT9S20ANA14M7456](#) [XT9SNLANA16M](#) [646G-24-2](#) [7B-30.000MBBK-T](#) [6504-202-1501](#) [6526-202-1501](#) [BTJ120E02C](#) [SG636PCE-20.000MC](#) [3404](#) [C1E-24.000-7-2020-R](#) [C1E-19.200-12-1530-X-R](#) [C1E-16.000-12-1530-X-R](#) [FL5000014](#) [EUCA18-3.1872M](#) [425F35E027M0000](#) [17196](#) [MS3V-T1R-32.768kHz-7pF-20PPM-TA-QC-Au](#) [VXM7-1C1-16M000](#) [MS1V-T1K-32.768kHz-10pF-20PPM-TA-QC-Au](#) [MS1V-T1K-32.768kHz-12.5pF-20PPM-TA-QC-Au](#) [MS3V-T1R-32.768kHz-9pF-20PPM-TA-QC-Au](#) [17000](#) [17301](#) [16875](#) [ECS-80-18-30B-JEM-TR](#) [ECS-100-10-30B-CKL-TR](#) [MS1V-T1K-32.768kHz-6pF-20PPM-TA-QC-Au](#)