

HIGH FREQUENCY CYLINDRICAL TYPE MICROPROCESSOR CRYSTAL

AB308

 RoHS/RoHS II Compliant

8.0 x Ø3.0mm

AB308

FEATURES:

- High stability by tight vacuum sealing
- Miniature high frequency cylinder type crystal

APPLICATIONS:

- Suitable for wide range of application
- Clocks for microprocessor
- Consumer electronics
- Test equipment
- Computer peripherals

STANDARD SPECIFICATIONS:

Parameters	Minimum	Typical	Maximum	Units	Notes
Frequency Range*	4.000		40.000	MHz	Fundamental
	40.001		70.000		3 rd Overtone
Operation Mode	Fundamental or 3 rd Overtone				
Operating Temperature	-10		+60	°C	See options
Storage Temperature	-40		+85	°C	
Frequency Tolerance @+25°C	-30		+30	ppm	See options
Frequency Stability over the Operating Temperature (ref. to +25°C)	-50		+50	ppm	
Equivalent series resistance (R1)			150	Ω	4.000 – 5.999MHz Fundamental
			80		6.000 – 9.999MHz Fundamental
			60		10.000 – 10.999MHz Fundamental
			50		11.000 – 19.999 MHz Fundamental
			40		20.000 –29.999 MHz Fundamental
			30		30.000 –40.000 MHz Fundamental
			80		40.001 – 70.000 MHz 3 rd OT
Shunt capacitance (C0)			5	pF	
Load capacitance (CL)	16			pF	See options
Drive Level			100	μW	
Aging@25°C±3°C	-5		+5	ppm	First year
Insulation Resistance	500			M Ω	@ 100Vdc ± 15V

* Please contact Abracon for the availability of frequency>30MHz.

HIGH FREQUENCY CYLINDRICAL TYPE MICROPROCESSOR CRYSTAL

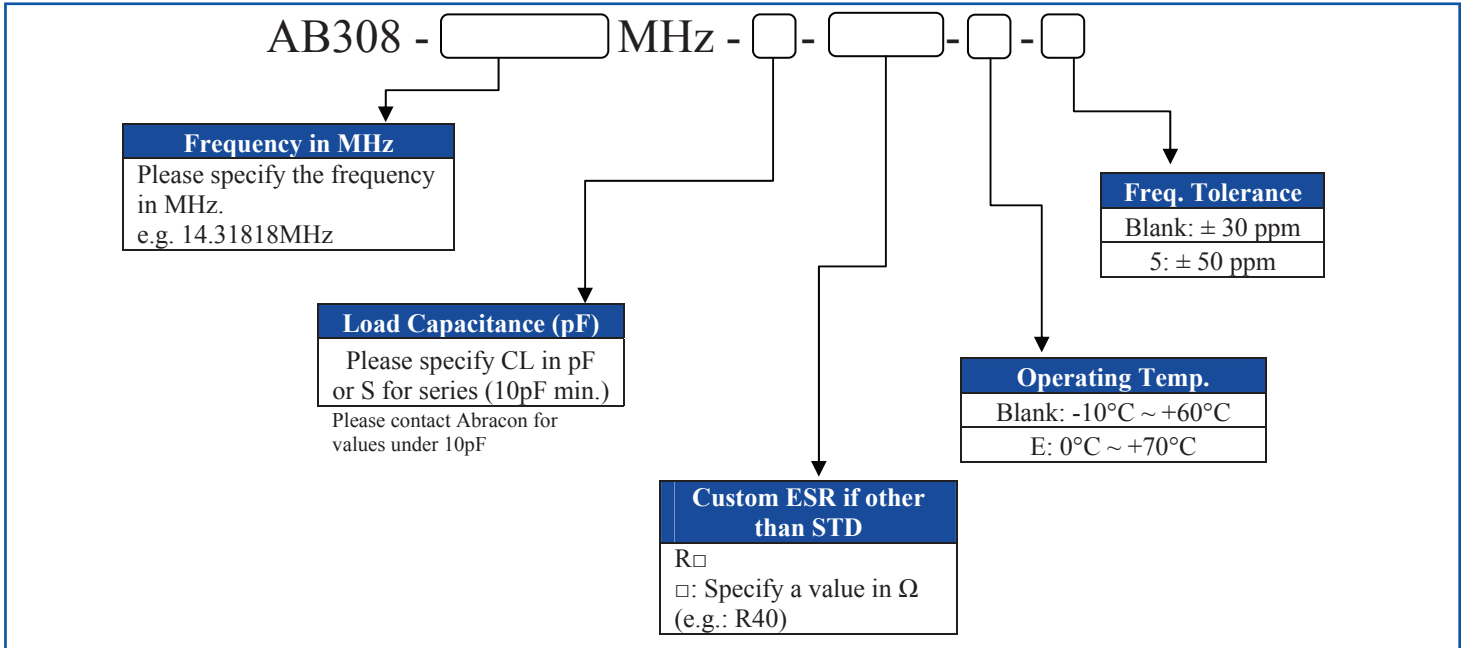


8.0 x Ø3.0mm

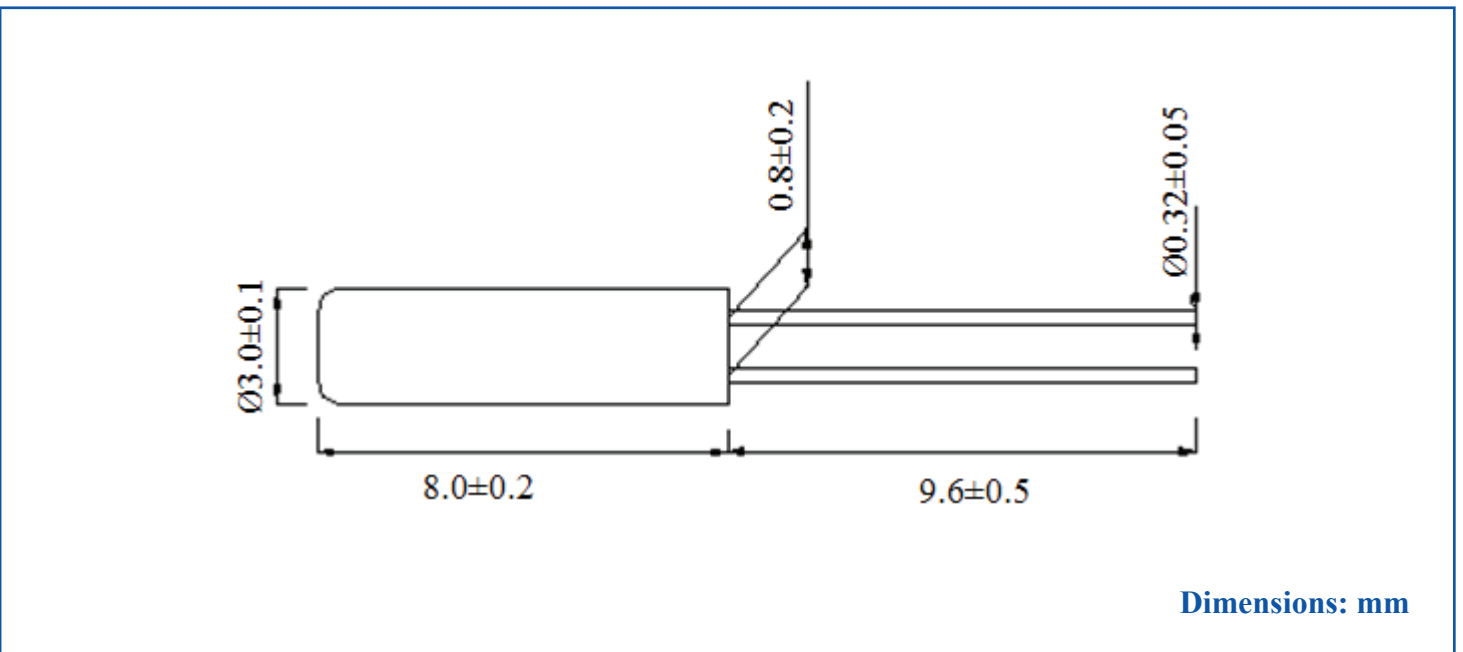
AB308

RoHS/RoHS II Compliant

➤ OPTIONS AND PART IDENTIFICATION: (Left blank if standard)



➤ OUTLINE DRAWING:



Packaging = Bulk, 1000pcs/bag

ATTENTION: Abracon Corporation's products are COTS – Commercial-Off-The-Shelf products; suitable for Commercial, Industrial and, where designated, Automotive Applications. Abracon's products are not specifically designed for Military, Aviation, Aerospace, Life-dependant Medical applications or any application requiring high reliability where component failure could result in loss of life and/or property. For applications requiring high reliability and/or presenting an extreme operating environment, written consent and authorization from Abracon Corporation is required. Please contact Abracon Corporation for more information.

ABRACON IS
ISO9001:2008
CERTIFIED



2 Faraday, Suite# B | Irvine | CA 92618 **Revised: 12.22.15**
Ph. 949.546.8000 | Fax. 949.546.8001
Visit www.abracon.com for Terms and Conditions of Sale

X-ON Electronics

Largest Supplier of Electrical and Electronic Components

Click to view similar products for [Crystals](#) category:

Click to view products by [ABRACON](#) manufacturer:

Other Similar products are found below :

[CS325S24000000ABJT](#) [718-13.2-1](#) [MC405 32.0000K-R3:PURE SN](#) [FC-135R 32.7680KF-A3](#) [7A-40.000MAAE-T](#) [7B-27.000MBBK-T](#)
[FL2000085](#) [9B-15.360MBBK-B](#) [9C-7.680MBBK-T](#) [ASH7K-32.768KHZ](#) [AT-41.600MAGQ-T](#) [BTD1062E05A-513](#) [LFX TAL066198Cutt](#)
[9C-14.31818MBBK-T](#) [FA-238 50.0000MB30X-K3](#) [FC-12M 32.7680KA-AC3](#) [SSPT7F-9PF20-R](#) [FX325BS-38.88EEM1201](#)
[LFX TAL065253Cutt](#) [LFX TAL066431Cutt](#) [XT9S20ANA14M7456](#) [XT9SNLANA16M](#) [646G-24-2](#) [7A-24.576MBBK-T](#) [7B-30.000MBBK-T](#)
[WX26-32.768K-6PF](#) [9B-14.31818MBBK-B](#) [CD1AM](#) [7B-25.000MAAE-T](#) [7A-14.31818MBBK-T](#) [6504-202-1501](#) [6526-202-1501](#) [FA-118T](#)
[27.1200MB50P-K0](#) [FC-135R 32.7680KA-A3](#) [ABM12-104-37.400MHZT](#) [ABLS-10.000MHZ-D3W-T](#) [BTJ112E01E-513](#) [BTJ722K01C-7067](#)
[BTL-20-513](#) [TSX-3225 24.0000MF15X-AC](#) [TSX-3225 16.0000MF18X-AC](#) [BTJ120E02C](#) [BTL-12-513](#) [7A-10.000MBBK-T](#) [7A-](#)
[11.0592MBBK-T](#) [ABM12-103-24.000MHZT](#) [CS325S25000000ABJT](#) [ABM3B-25.000MHZ-B2-X-T](#) [FC-135 32.7680KA-A5](#) [FX0800015](#)