

14.5GHz Dielectric Resonator Oscillator

AB-DRO-14.5GHz



RoHS
Compliant



55.0 x 55.0 x 22.0 mm

FEATURES:

- High Carrier Frequency –14.5GHz
- Wide operating temperature range
- Linear Tuning Range
- Low Power Design (300mA max)
- High Output Power (+12dBm min)
- Excellent VSWR characteristics
- Low Phase Noise
- Low Spurious and Harmonic content

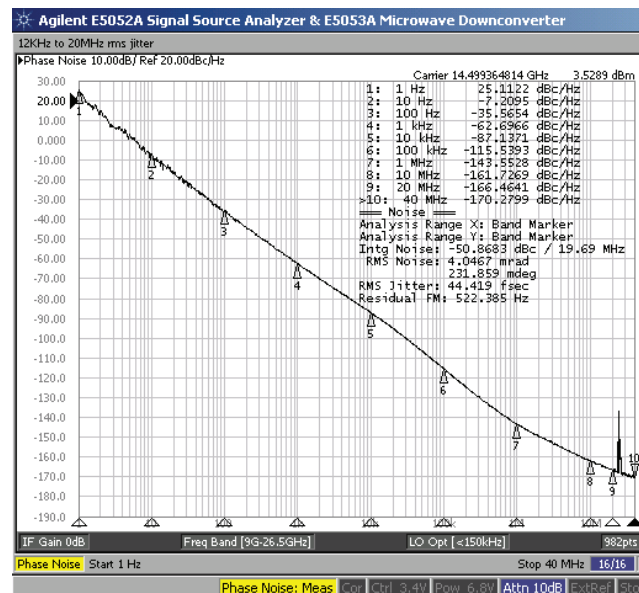
APPLICATIONS:

- Transmitters & Receivers
- Digital radios
- Satellite communications
- Cable TV links (CATV)
- Local Area Networks (LAN)
- Global Positioning Systems (GPS)
- Test Equipment
- LMDS
- Up/Down Converters
- Point to Point communication
- Military, Space, and Commercial

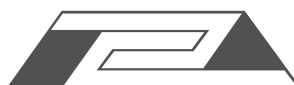
STANDARD SPECIFICATIONS:

Parameters	Minimum	Typical	Maximum	Units	Notes
Center Frequency		14.500		GHz	
Operating Temperature	-20		+70	°C	
Storage Temperature	-20		+70	°C	
Tuning Range	-10		+10	MHz	
Frequency Pushing		20		kHz/V	
Frequency Pulling		5		MHz	
Frequency drift temperature coefficient		+5		ppm/°C	
Supply Voltage (V _{DD})		+15		V	
Supply Current (I _{DD})			200.00	mA	
Output Power	13			dBm	
Output Power Variation	-2		+2	dB	
VSWR		1.5:1			50Ω impedance
Phase Noise			-80 -100	dBc/Hz	@10kHz @100kHz
Harmonics			-20	dBc	
Spurious			-70	dBc	

PHASE NOISE:



ABRACON IS
ISO9001:2008
CERTIFIED



ABRACON
CORPORATION

Visit www.abracon.com for Terms & Conditions of Sale **Revised: 08.16.12**
30332 Esperanza, Rancho Santa Margarita, California 92688
tel 949-546-8000 | fax 949-546-8001 | www.abracon.com

14.5GHz Dielectric Resonator Oscillator

AB-DRO-14.5GHz



RoHS
Compliant

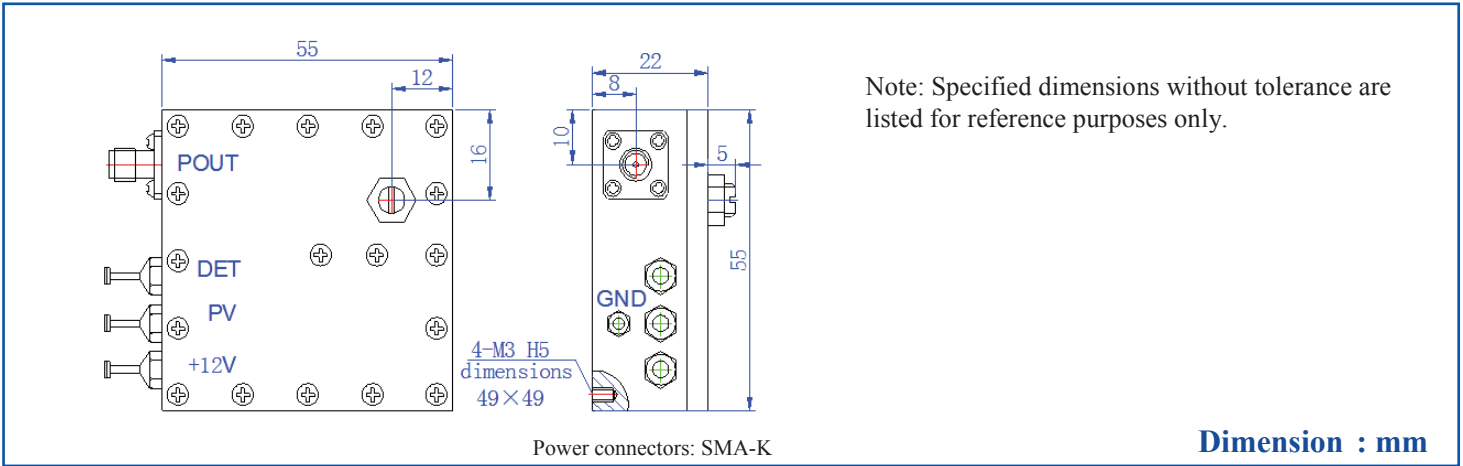


55.0 x 55.0 x 22.0 mm

MARKING:



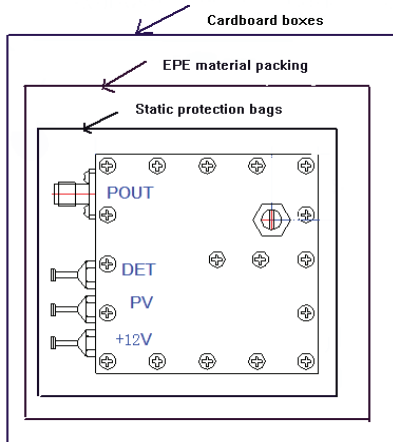
OUTLINE DRAWING:



PACKAGING:

Packaging: 1pc/box

Dimension of the cardboard box: 17.5cm*13.5cm*7cm



ATTENTION: Abracon Corporation's products are COTS – Commercial-Off-The-Shelf products; suitable for Commercial, Industrial and, where designated, Automotive Applications. Abracon's products are not specifically designed for Military, Aviation, Aerospace, Life-dependant Medical applications or any application requiring high reliability where component failure could result in loss of life and/or property. For applications requiring high reliability and/or presenting an extreme operating environment, written consent and authorization from Abracon Corporation is required. Please contact Abracon Corporation for more information.

ABRACON IS
ISO9001:2008
CERTIFIED



Visit www.abracon.com for Terms & Conditions of Sale **Revised: 08.16.12**
30332 Esperanza, Rancho Santa Margarita, California 92688
tel 949-546-8000 | fax 949-546-8001 | www.abracon.com

X-ON Electronics

Largest Supplier of Electrical and Electronic Components

Click to view similar products for [Signal Conditioning](#) category:

Click to view products by [ABRACON](#) manufacturer:

Other Similar products are found below :

[MAPDCC0004](#) [PD0409J5050S2HF](#) [880157](#) [HHS-109-PIN](#) [DC1417J5005AHF](#) [DC4859J5005AHF](#) [AFS14A30-2185.00-T3](#) [AFS14A35-1591.50-T3](#) [DS-323-PIN](#) [DSS-313-PIN](#) [B39321R801H210](#) [B39321R821H210](#) [B39921B4317P810](#) [1A0220-3](#) [2089-6207-00](#) [JP510S](#) [LFB212G45SG8C341](#) [LFB322G45SN1A504](#) [LFL182G45TC3B746](#) [SF2159E](#) [30057](#) [1P510S](#) [CER0813B](#) [3A325](#) [40287](#) [41180](#) [ATB3225-75032NCT](#) [B69842N5807A150](#) [BD0810N50100AHF](#) [BD2326L50200AHF](#) [BD2425J50200AHF](#) [HMC189AMS8TR](#) [C5060J5003AHF](#) [JHS-114-PIN](#) [JP503AS](#) [DC0710J5005AHF](#) [DC2327J5005AHF](#) [DC3338J5005AHF](#) [43020](#) [LFB2H2G60BB1C106](#) [LFL15869MTC1B787](#) [X3C19F1-20S](#) [XC3500P-20S](#) [10013-20](#) [SF2081E](#) [SF2194E](#) [SF2238E](#) [CDBLB455KCAX39-B0](#) [RF1353C](#) [PD0922J5050D2HF](#)