

HC/49US (AT49) MICROPROCESSOR CRYSTAL

ABL Series



Moisture Sensitivity Level (MSL) – This product is Hermetically Sealed and not Moisture Sensitive - MSL = N/A: Not Applicable

FEATURES:

- High reliability & Low Cost
- Tight stability & extended temperature
- Proven resistance welded metal package

APPLICATIONS:

- Home electronics
- Computers, modems, and communications
- High-precision TCXO and clock applications
- Microprocessors

STANDARD SPECIFICATIONS:

Parameters	Minimum	Typical	Maximum	Units	Notes
Frequency Range	3.579545		70		
Operation mode	3.579545		33.999	MHz	Fundamental AT-cut (Standard)
	34.00		70.00		3 rd OT AT-cut (Standard)
	24.01		50.00		Fundamental AT-cut (See options)
Operating Temperature	0		+70	°C	See options
Storage Temperature	-55		+125	°C	
Frequency Tolerance	-50		+50	ppm	See options
Frequency Stability over the Operating Temperature (ref. to +25°C)	-50		+50	ppm	See options
Equivalent series resistance (R1)	See table 1 below			Ω	
Shunt capacitance (C0)			7	pF	
Load capacitance (CL)		18		pF	See options
Drive Level		100	1000	μW	
Aging @ 25°C per year			±5	ppm	
Insulation Resistance	500			MΩ	@ 100Vdc ± 15V
Drive Level Dependency (DLD, Minimum 7 points tested: from 1μW to 500μW)			±10	ppm	Δfrequency (Max – Min)
			25% of Max ESR	Ω	ΔESR (Max – Min)
			Max ESR in Table 1	Ω	Max ESR over DLD range

Table 1

Frequency (MHz)	ESR(Ω) max.
3.579 - 4.999 (Fund.)	180
5.000 - 5.999 (Fund.)	120
6.000 - 7.999 (Fund.)	100
8.000 - 8.999 (Fund.)	80
9.000 - 9.999 (Fund.)	60
10.000 - 15.999 (Fund.)	50
16.000 - 50.000 (Fund.)	40
34.000 - 70.00 (3rd O/T)	80

REVISED: 03.27.2018



5101 Hidden Creek Lane Spicewood TX 78669
 Phone: 512-371-6159 | Fax: 512-351-8858
 For terms and conditions of sale please visit:
www.abracon.com

ABRACON IS
 ISO9001-2008
 CERTIFIED

HC/49US (AT49) MICROPROCESSOR CRYSTAL

ABL Series



11.5 x 5.0 x 3.5 mm

OPTIONS AND PART IDENTIFICATION:

(Left blank if standard)

ABL - MHz - - - - - -

Frequency in MHz
Please specify the frequency in xx.xxxxMHz.
e.g. 14.3181MHz

Load Capacitance (pF)
Please specify CL (Minimum 10pF) in pF or S for series

Custom ESR if other than standard
R
□: Specify a value in Ω (e.g.: R40)

Packaging
Blank: Bulk
T: Tape & Reel
TRAY: Tray

Value Added

I	Insulator Tab
L2	Middle 3rd lead
QXX	Trimmed leads
Q15	for 0.15" length

Oscillation Mode
F: Fund. AT>24MHz

Operating Temp.

A: -10°C ~ +60°C
B: -20°C ~ +70°C
C: -30°C ~ +70°C
N: -30°C ~ +85°C
D: -40°C ~ +85°C
J*: -40°C ~ +105°C
K*: -40°C ~ +125°C
L*: -55°C ~ +125°C

Freq. Tolerance

H5: ± 5 ppm
1: ± 10 ppm
7: ± 15 ppm
2: ± 20 ppm
3: ± 25 ppm
4: ± 30 ppm

Freq. Stability

U**: ± 10 ppm
G: ± 15 ppm
X: ± 20 ppm
W: ± 25 ppm
Y: ± 30 ppm
H: ± 35 ppm
Q: ± 100 ppm
R: ± 150 ppm

NOTE:

* Frequency stability ±50ppm, ±100ppm, ±150ppm only. Contact ABRACON for tighter frequency stability.

** Contact ABRACON for availability of ±10ppm with other operating temperature options.



5101 Hidden Creek Lane Spicewood TX 78669
Phone: 512-371-6159 | Fax: 512-351-8858
For terms and conditions of sale please visit:
www.abracon.com

REVISED: 03.27.2018

ABRACON IS
ISO9001-2008
CERTIFIED

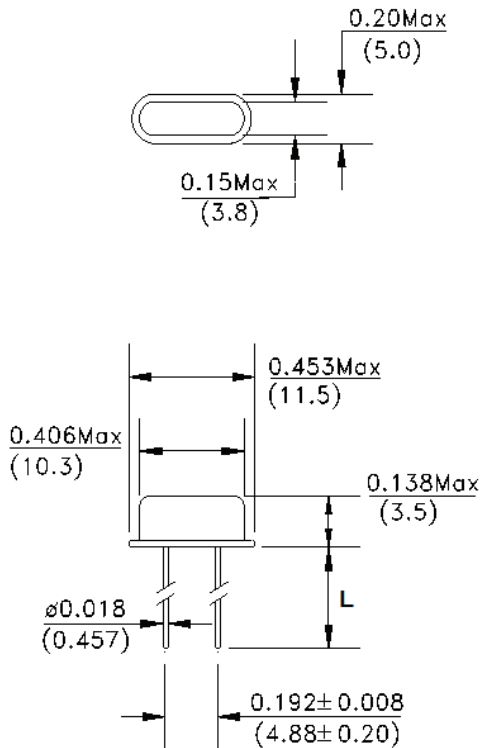
HC/49US (AT49) MICROPROCESSOR CRYSTAL

ABL Series



11.5 x 5.0 x 3.5 mm

OUTLINE DRAWING:

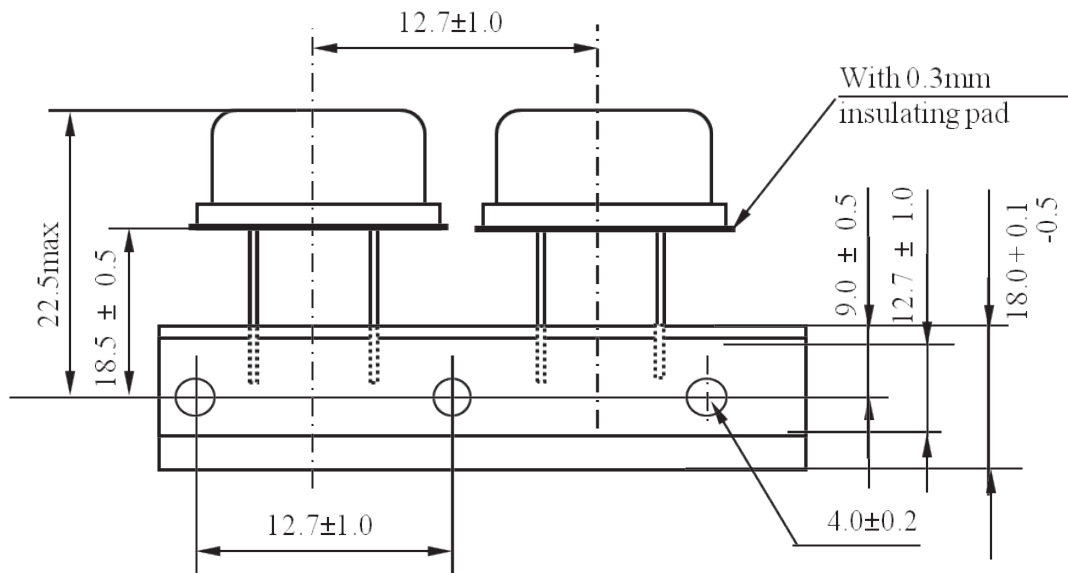


L	Packaging
5.5mm Min	Bulk
20.0 ± 0.5 mm	Tape & Reel

Dimensions: inch (mm)

TAPE & REEL:

T= Tape and reel (1,000pcs/reel)



Dimensions: mm



5101 Hidden Creek Lane Spicewood TX 78669
 Phone: 512-371-6159 | Fax: 512-351-8858
 For terms and conditions of sale please visit:
www.abracon.com

REVISED: 03.27.2018

ABRACON IS
 ISO9001-2008
 CERTIFIED

X-ON Electronics

Largest Supplier of Electrical and Electronic Components

Click to view similar products for [abracon](#) manufacturer:

Other Similar products are found below :

[ACO-1.000MHZ](#) [ABLS-12.000MHZ-B2Y-T](#) [ASGTX-BLANK](#) [ABLNO-122.880MHz](#) [ABLNO-V-96.000MHZ](#) [ABLS-10.240MHZ-B4-T](#)
[ABLS2-3.6864MHZ-D4Y-T](#) [ABLS-30.000MHZ-L4QF-T](#) [ACHL-18.432MHZ-EK](#) [AOCJY2-100.000MHz-F](#) [ARRSN5-868.000MHz](#)
[ASEMPLP- ADAPTER-KIT](#) [ASFLMPLV- ADAPTER-KIT](#) [ASGTX-P-1.000GHz-1](#) [AST3TQ-T-24.576MHz-50-C](#) [ASTMLPD-24.000MHz-](#)
[LJ-E-T](#) [ABLJO-V-150.000MHz](#) [ABM2-16.000MHZ-D4Y-T](#) [ABM8G-12.000MHZ-B4Y-T3](#) [AIRD-06-101K](#) [AOCJY3-40.000MHZ](#)
[AOCJY6-10.000MHz-1](#) [ASG-C-V-A-50.000MHz](#) [ASG-D-V-A-500.000MHz](#) [ASHEK2-32.768KHZ-LT](#) [AXS-5032-04-12](#) [AIML-0805-470K-](#)
[T](#) [ARJ-150A](#) [AOCJY3A-10.000MHZ-E](#) [ASFL1-50.000MHZ-EK-T](#) [ASVTX-09-16.000MHZ-T](#) [AOCTQ5-X-10.000MHz-M10-SW](#)
[AMPMAFB-19.2000T](#) [ABL-10.000MHZ-D-T](#) [ABM3B-27.120MHZ-10-D2H-T](#) [EP1400SJETTSC-11.0592M](#) [EP1400SJETTSC-2.000M](#)
[EHH1100TS-13.560M](#) [ABL-16.384MHZ-B2](#) [ABLJO-V-155.520MHZ](#) [ABM3B-26.000MHZ-10-D-1-G-T](#) [AIRD-01-680K](#) [AOCJY-](#)
[100.000MHZ](#) [AOCJY-10.000MHz](#) [AOCJY2-10.000MHz](#) [AOCJY3-40.000MHZ-E](#) [AOCJY-38.880MHZ-F](#) [AOCJY3A-100.000MHz-E](#)
[APAMS-119](#) [ASG2-D-X-A-1000.000MHz](#)