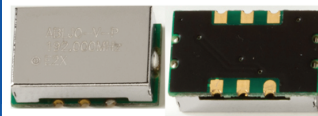


# LOW JITTER CRYSTAL OSCILLATOR



14.3 X 8.7 X 5.5 mm

**ABLJO**



ESD Sensitive



RoHS/RoHS II Compliant  
Pb free

## FEATURES:

- High "Q", 3rd Overtone Crystal Technology
- Ultra Low Jitter performance 0.10 ps Max. (12kHz to 20MHz)
- Standard LVC MOS RF Output
- Wide Operating Temperature (-40°C to +85°C) standard
- ±40 ppm Max. All inclusive Stability (including Aging) over 10-years
- (17) Standard Frequencies between 80MHz & 200MHz
- 9x14mm RoHS Compliant SMT package

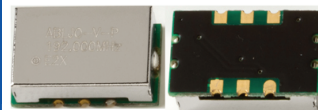
## APPLICATIONS:

- Avionics
- COTS - Military communications
- Low Phase Noise Signal Sources
- High Definition TV
- Test & Measurement
- Ultra Low Jitter RF Communication Circuitry

## STANDARD SPECIFICATIONS

Parameters	Minimum	Typical	Maximum	Units	Notes
<b>RF Output Frequency Range</b>	80.00		200.00	MHz	
Standard Available Frequencies	80.00MHz, 81.920MHz, 92.160MHz, 96MHz, 98.304MHz, 100MHz, 106.250MHz, 120MHz, 122.880MHz, 125MHz, 150MHz, 155.520MHz, 156.250MHz, 160MHz, 184.32MHz, 187.5MHz, and 200MHz				
Supply Voltage	3.135	3.300	3.465	Volts	
<b>Current Drain</b>					
80MHz ~ 99.999MHz			25.00	mA	
100MHz ~ 149.999MHz			30.00	mA	
150MHz ~ 200MHz			40.00	mA	
<b>Waveform</b>	<b>LVC MOS</b>				
V <sub>OH</sub>	0.9*V <sub>dd</sub>			Volts	
V <sub>OL</sub>			0.1*V <sub>dd</sub>	Volts	
Symmetry	45	50	55	%	
Rise & Fall Times			3.0	ns	
<b>Operating Temperature Range</b>	-40		+85	°C	
<b>Frequency Stability</b>					
Over (-40° C to +85°C)			±25.00	ppm	
ALL effects, including Aging			±40.00	ppm	
Storage Temperature Range	-40		+90	°C	
Aging					
First Year			±2.00	ppm	
5-Years			±5.00	ppm	
10-Years			±7.00	ppm	
<b>Phase Noise (156.25MHz Carrier)</b>					V <sub>dd</sub> =3.3V
@ 10 Hz offset		-73		dBc/Hz	
@ 100 Hz offset		-107		dBc/Hz	
@ 1,000 Hz offset		-134		dBc/Hz	
@ 10,000 Hz offset		-148	-140	dBc/Hz	
@ 100,000 Hz offset		-154	-150	dBc/Hz	
@ 1,000,000 Hz offset		-158	-150	dBc/Hz	
<b>Integrated RMS Phase Jitter (12kHz ~ 20MHz BW)</b>		75	100	Femto Seconds	0.10 ps Max.

# LOW JITTER CRYSTAL OSCILLATOR



14.3 X 8.7 X 5.5 mm

**ABLJO**



ESD Sensitive

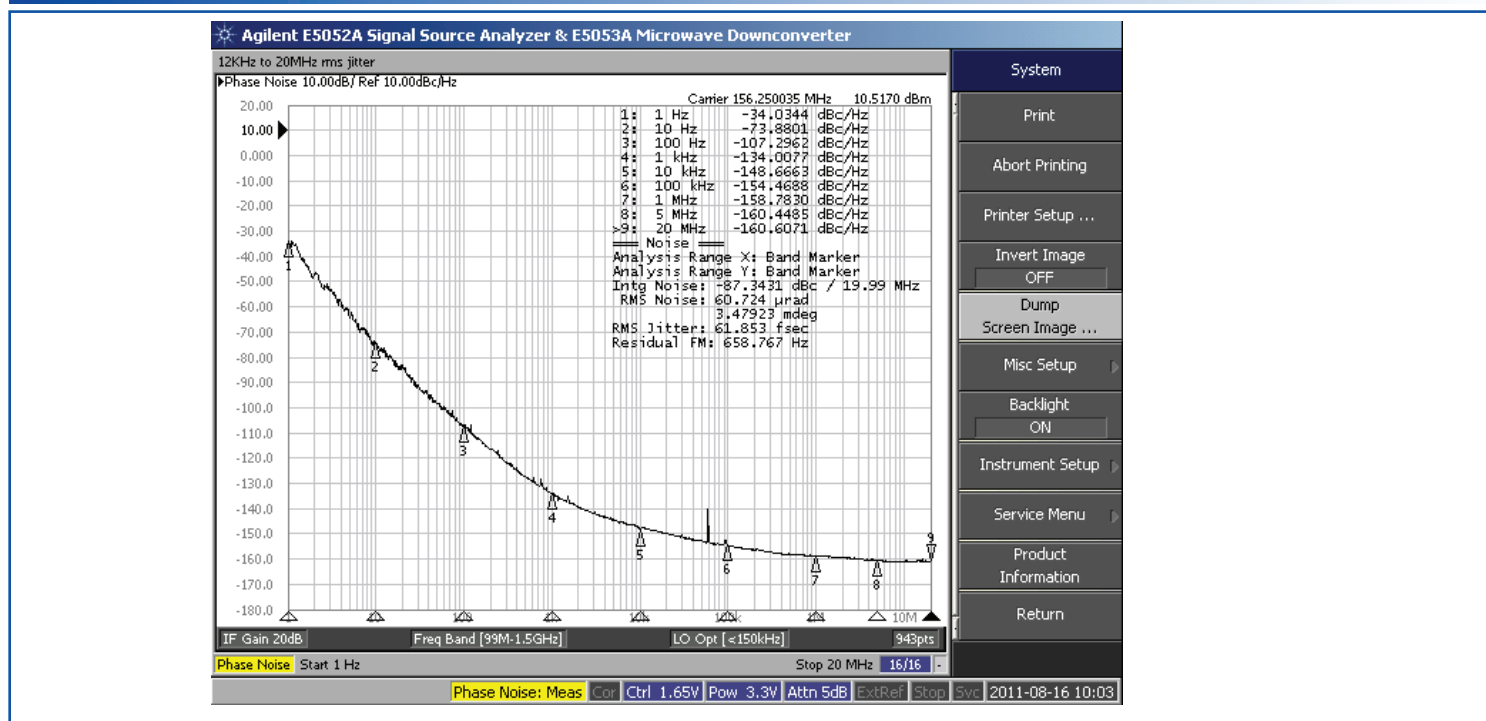


RoHS/RoHS II Compliant  
Pb free

## STANDARD SPECIFICATIONS - continued

Parameters	Minimum	Typical	Maximum	Units	Notes
Electrical Frequency Adjustment					
Control Voltage Range (Vc)	0.0		3.30	Volts	
Frequency Pull Range	±45.00			ppm	
Frequency Pull Slope		Positive			
Control Voltage Port Impedance	10			kΩ	
Center Control Voltage	1.45	1.65	1.85	Volts	
Control Port Linearity			±10	%	

## TYPICAL PHASE NOISE PERFORMANCE @ 156.25MHZ CARRIER



## OPTIONS AND PART IDENTIFICATION:

ABLJO - [ ] - Frequency (MHz) - [ ] [ ]

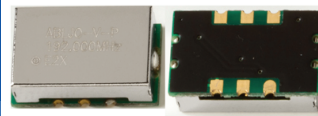
### Frequency Pull Option

Blank	XO (Fixed Frequency)
V	VCXO (±45 ppm min.)

### Tape & Reel Options

Blank	< 250 units on cut tape
T	1,000 units per reel
T2	250 units per reel

# LOW JITTER CRYSTAL OSCILLATOR



14.3 X 8.7 X 5.5 mm

**ABLJO**

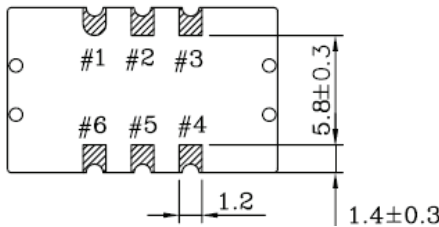
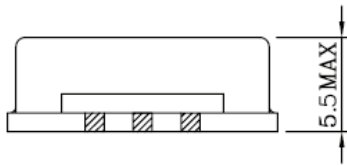
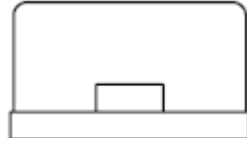
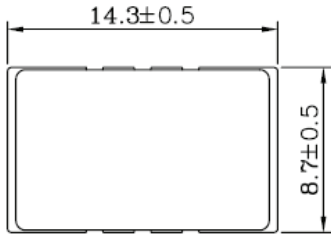


ESD Sensitive

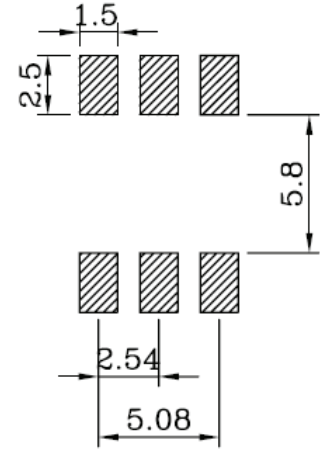


RoHS/RoHS II Compliant  
Pb free

## OUTLINE DIMENSIONS:



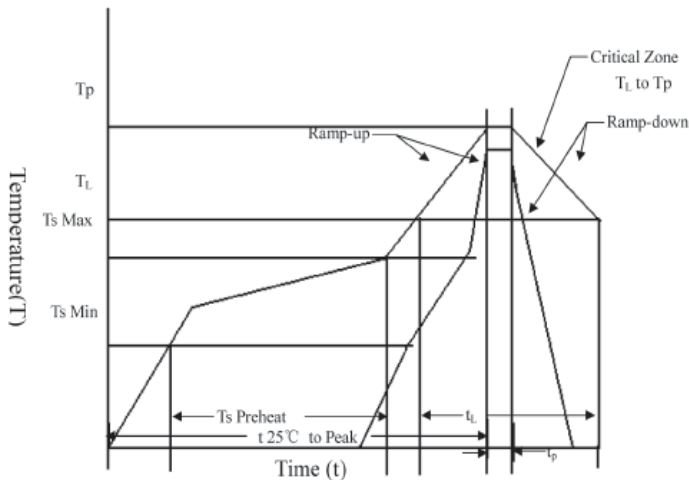
## Recommended Soldering Pattern



Pin	Function	
	VCXO	XO
1	Vc	N.C.
2	N.C.	
3	GND	
4	Output	
5	N.C.	
6	Vdd	

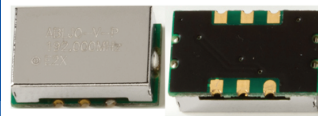
Dimensions: mm

## REFLOW PROFILE:



T <sub>S</sub> max to T <sub>L</sub> (Ramp-up Rate)	3°C/second max.
Preheat	
Temperature Min. (T <sub>S</sub> Min.)	150°C
Temperature Typical (T <sub>S</sub> Typ.)	175°C
Temperature Max. (T <sub>S</sub> Max.)	200°C
Time (t <sub>s</sub> )	60 ~ 180 seconds
Ramp-up rate (T <sub>L</sub> to T <sub>p</sub> )	3°C/second max.
Time Maintained Above:	
--Temperature (T <sub>L</sub> )/Time (T <sub>L</sub> )	217°C/60 ~ 150 seconds
Peak Temperature (T <sub>p</sub> )	250°C max. for 10 seconds
Target Peak Temperature (T <sub>p</sub> Target)	250°C +0/-5°C
Time within 5°C of actual peak (t <sub>p</sub> )	20 ~ 40 seconds
Ramp-down Rate	6°C/second max.
Tune 25°C to Peak Temperature (t)	8 minutes max.

# LOW JITTER CRYSTAL OSCILLATOR



14.3 X 8.7 X 5.5 mm

**ABLJO**



ESD Sensitive



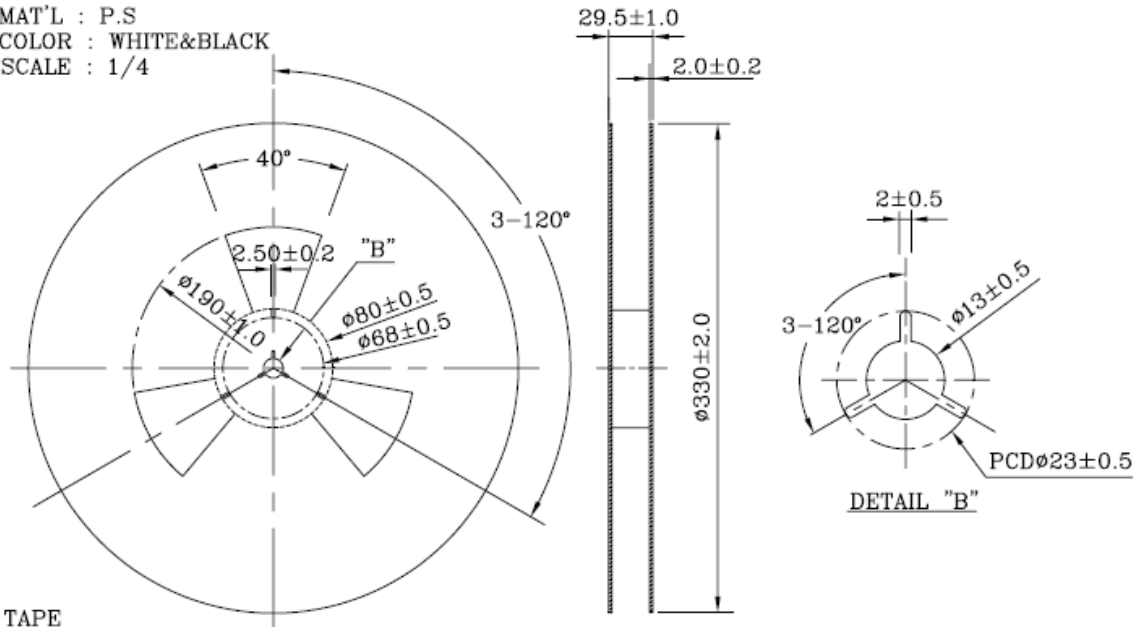
RoHS/RoHS II Compliant  
Pb free

## TAPE & REEL:

**Packaging: (1,000) units per reel standard, (250) units per reel available (option # T2)**

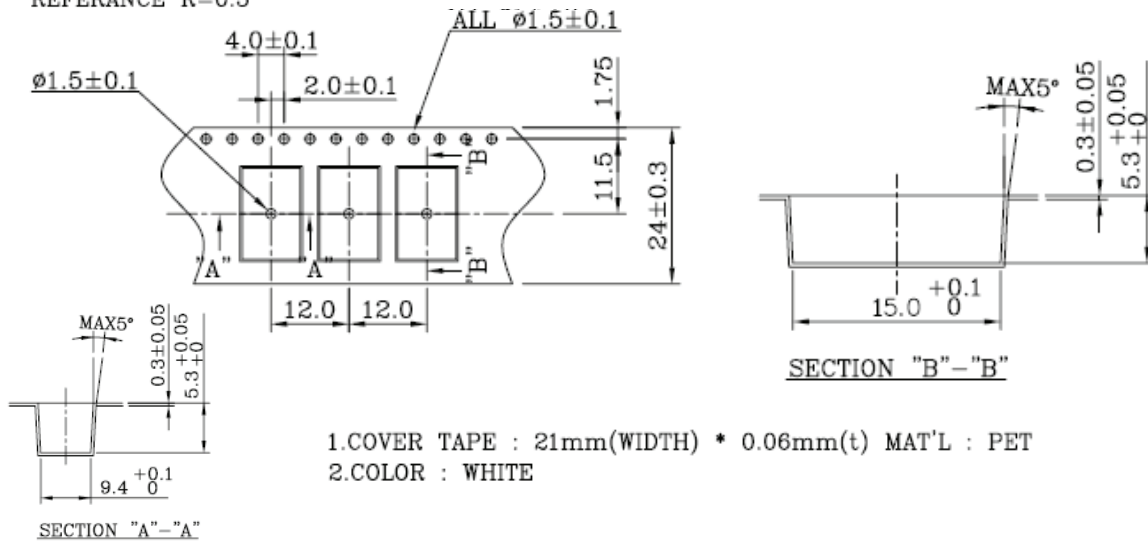
### REEL

MAT'L : P.S  
COLOR : WHITE&BLACK  
SCALE : 1/4



### TAPE

MAT'L : P.S  
COLOR : WHITE&BLACK  
REFERENCE R=0.5



Dimensions: mm

**ATTENTION:** Abracon LLC's products are COTS – Commercial-Off-The-Shelf products; suitable for Commercial, Industrial and, where designated, Automotive Applications. Abracon's products are not specifically designed for Military, Aviation, Aerospace, Life-dependent Medical applications or any application requiring high reliability where component failure could result in loss of life and/or property. For applications requiring high reliability and/or presenting an extreme operating environment, written consent and authorization from Abracon LLC is required. Please contact Abracon LLC for more information.

## X-ON Electronics

Largest Supplier of Electrical and Electronic Components

*Click to view similar products for [Standard Clock Oscillators](#) category:*

*Click to view products by [ABRACON](#) manufacturer:*

Other Similar products are found below :

[601252](#) [F335-12](#) [F335-25](#) [F535L-33.333](#) [F535L-50](#) [ASV-20.000MHZ-LR-T](#) [ECS-2018-160-BN-TR](#) [MXO45HS-2C-66.6666MHZ](#)  
[SiT8209AI-32-33E-125.000000](#) [SIT8918AA-11-33S-50.000000G](#) [SM4420TEV-40.0M-T1K](#) [F335-24](#) [F335-40](#) [F535L-10](#) [F535L-12](#) [F535L-16](#) [F535L-24](#) [F535L-27](#) [F535L-48](#) [PE7744DW-100.0M](#) [CSX-750FCC14745600T](#) [ASF1-3.686MHZ-N-K-S](#) [XO57CTECNA3M6864](#) [ECS-2100A-147.4](#) [601251](#) [EP16E7E2H26.000MTR](#) [SIT8918AA-11-33S-16.000000G](#) [XO3003](#) [9120AC-2D2-33E212.500000](#) [9102AI-243N25E100.00000](#) [8208AC-82-18E-25.00000](#) [ASDK2-32.768KHZ-LR-T3](#) [8008AI-72-XXE-24.545454E](#) [8004AC-13-33E-133.33000X](#) [AS-4.9152-16-SMD-TR](#) [ASFL1-48.000MHZ-LC-T](#) [SIT8920AM-31-33E-25.0000](#) [DSC1028DI2-019.2000](#) [9121AC-2C3-25E100.00000](#) [9102AI-233N33E100.00000X](#) [9102AI-233N25E200.00000](#) [9102AI-232H25S125.00000](#) [9102AI-133N25E200.00000](#) [9102AC-283N25E200.00000](#) [9001AC-33-33E1-30.000](#) [XLH536125.000JS4I](#) [3921AI-2CF-33NZ125.000000](#) [5730-1SF](#) [PXA000010](#) [SIT1602BC-83-33E-10.000000Y](#)