

# MINIATURE CERAMIC SMD CRYSTAL



ABM12

1.6 x 1.2 x 0.45mm

ABM12

RoHS/RoHS II Compliant

Moisture Sensitivity Level (MSL) – This product is Hermetically Sealed and not Moisture Sensitive - MSL = N/A: Not Applicable

## FEATURES:

- Suitable for RoHS reflow profile
- Available tight tolerance and stability
- Electron beam sealed ceramic package assures high precision and reliability

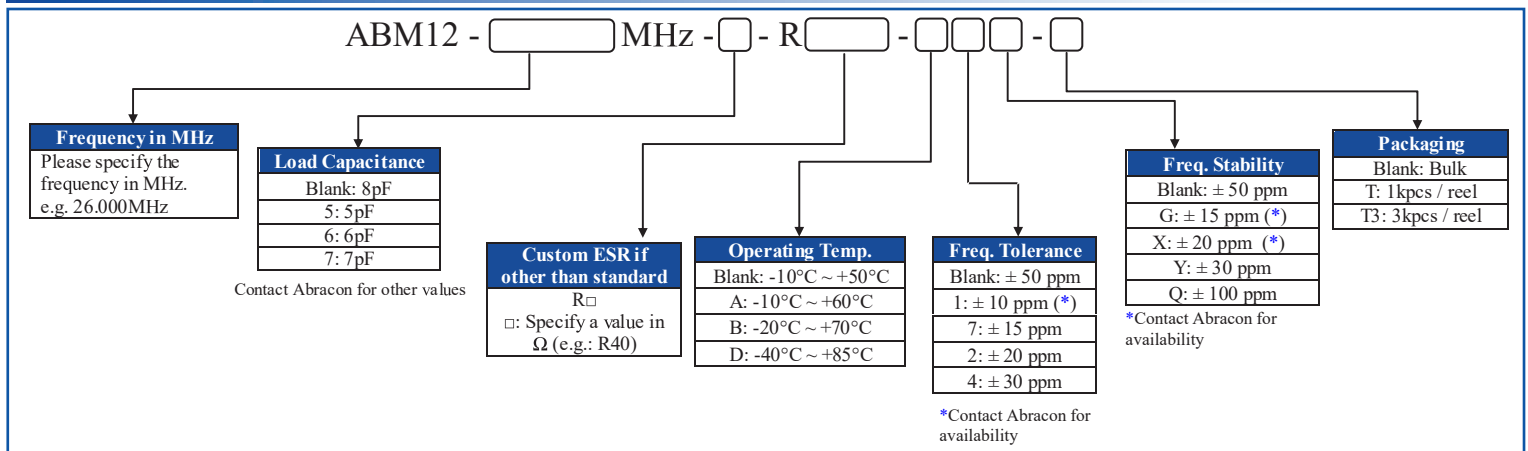
## APPLICATIONS:

- Blue-tooth, Wireless applications
- Computers, Modems, Microprocessors
- Communication, Test equipment
- High density applications
- PCMCIA
- Portable radios and MP3 players

## STANDARD SPECIFICATIONS:

Parameters	Minimum	Typical	Maximum	Units	Notes
Frequency Range	24.000		80.000	MHz	
Standard Frequencies	26.000, 32.000 and 36.000MHz				(Contact Abracon for other frequencies)
Operation Mode	Fundamental				
Operating Temperature	-10		+50	°C	Option "blank," See options
Storage Temperature	-40		+85	°C	
Frequency Tolerance @+25°C	-50		+50	ppm	Option "blank," See options
Frequency Stability over the Operating Temperature ( ref. to +25°C)	-50		+50	ppm	Option "blank," See options
Equivalent series resistance (R1)			200	Ω	24.000~39.999MHz
			100		40.000~80.000 MHz
Shunt capacitance (C0)			5	pF	
Load capacitance (CL)	8			pF	Option "blank," See options
Drive Level		10	100	μW	
Aging	-5		+5	ppm	@25°C±3°C First year
Insulation Resistance	500			MΩ	@ 100Vdc ± 15V

## OPTIONS & PART IDENTIFICATION: (Left blank if standard)



# MINIATURE CERAMIC SMD CRYSTAL

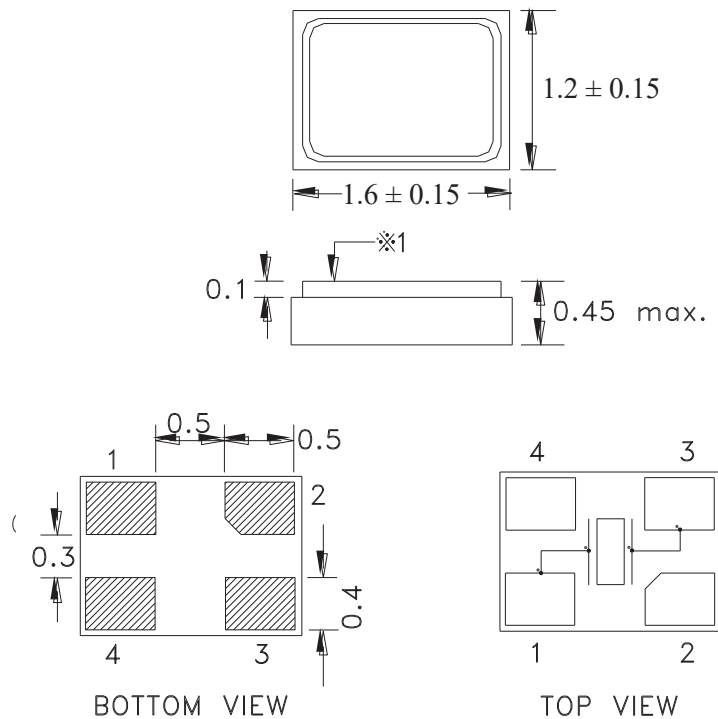


1.6 x 1.2 x 0.45mm

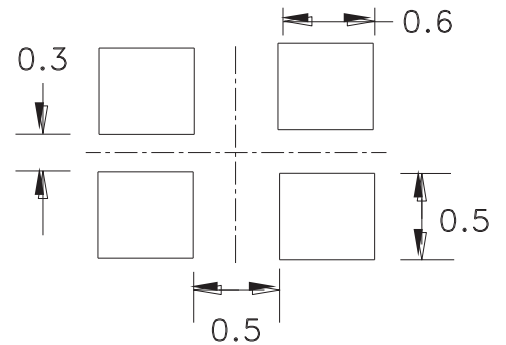
ABM12

RoHS/RoHS II Compliant

## OUTLINE DRAWING:



Recommended land pattern



Pin 2 is connected to the metal lid (\*1).  
(Please connect to GND)

Pin #2: GND  
Pin #4: NC

Note 1: Due to material availability, the outline and finish color of the component lid may vary. This variation in no way affects the electrical performance of the product.

Note 2: Due to material availability the chamfer could be located on pin #1, 2 or 4. Be advised that the chamfer location has no impact on the electrical performance of the device.

Dimensions: mm

# MINIATURE CERAMIC SMD CRYSTAL



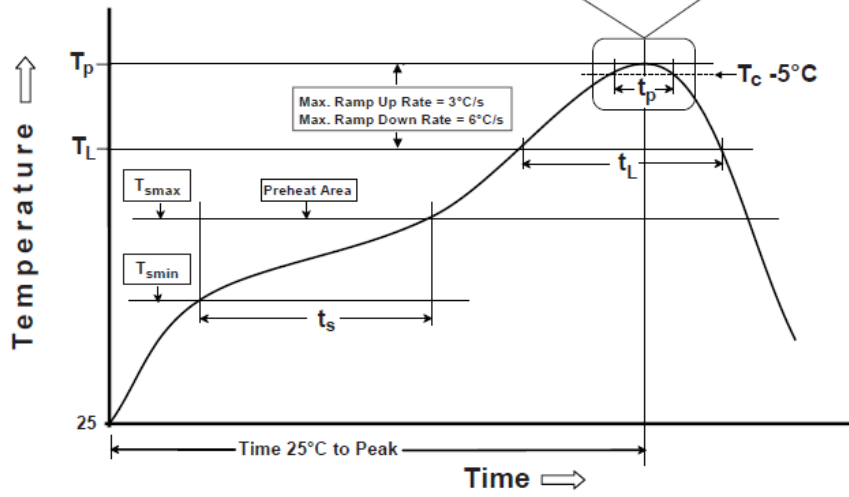
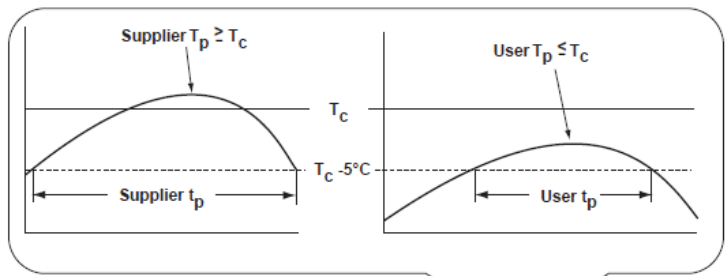
ABM12

1.6 x 1.2 x 0.45mm

ABM12

RoHS/RoHS II Compliant

➤ Tghny 'Rt qhkg']LGF GE 'L/UVF /242\_



### Vcdng'3''

Up/Rd'Gwgeve'Rt qegui'  
E r u h l e c v k p 'Vgo r g t c w t g u 'V\_e +'

Rcenci g'' Vj lempgu'	Xqno g'b o 5'' >572''	Xqno g'b o 5'' ≥572
>40'o o "	457'Æ"	442'Æ"
≥40'o o	442'Æ"	442'Æ"

### Vcdng'4''

Rd/Ht gg'Rt qegui'  
E r u h l e c v k p 'Vgo r g t c w t g u 'V\_e +'

Rcenci g'' Vj lempgu'	Xqno g'b o 5'' >572''	Xqno g'b o 5'' 572/4222	Xqno g'b o 5'' >4222
>38'o o "	482'Æ"	482'Æ"	482'Æ"
38'o o "/40'o o "	482'Æ"	472'Æ"	467'Æ"
>40'o o	472'Æ"	467'Æ"	467'Æ"

Rt qhkg'Hgc vwt g''	Up/Rd'Gwgeve' 'Cugo drf''	Rd/Ht gg'' Cugo drf''
Rt gj gc v' Tuqeni'		
"Vgo r g t c w t g' b l p l o w o "V_uo_l p +'	322'Æ"	372'Æ"
"Vgo r g t c w t g' b c z l o w o "V_uo_c z +'	372'Æ"	422'Æ"
"Vlo g' V_uo_l p 'V_q' V_uo_c z + 'V_r +'	82"/"342'uge0'	82"/"342'uge0'
Cxgtci g'tco r/wr 'tevg' V_uo_c z 'V_q' V_r +'	5'Æ hge0'o cz"	5'Æ hge0'o cz"
Nls wkf qvu'vgo r g t c w t g' V_N +'	3: 5'Æ"	439'Æ"
Vlo g' c'v' i s w k f q w u' V_N +'	82"/"372'uge0'	82"/"372'uge0'
Rgcnir rcenci g'dqf { 'vgo r g t c w t g' V_R +'	<b>ugg'Vcdng'3''</b>	<b>ugg'Vcdng'4''</b>
Vlo g' V_e + , 'y kj lp' 7'Æ "qh' y g' ur g e h l g f " e n u h l e c v k p " vgo r g t c w t g' V_e +'	42'uge0'	52'uge0'
Tco r / f q y p' tevg' V_r 'V_q' V_uo_c z +'	8'Æ hge0'o cz"	8'Æ hge0'o cz"
Vlo g' 47'Æ "V_q' r g c n i' vgo r g t c w t g'	8'o l p 0'o cz"	: 'o l p 0'o cz"
Tghny 'e { engu'	4'o cz"	4'o cz"

., Vqrgt c p e g' h q' t' g n i r' t q h k g' vgo r g t c w t g' V\_e + k u' t' g h l p g f' c u' c' t w r r i g t' b l p l o w o ' c p f' c' v u g t' b c z l o w o 0  
 .. Vqrgt c p e g' h q' t' b o' g' c' v' r' g n i r' t q h k g' vgo r g t c w t g' V\_e + k u' t' g h l p g f' c u' c' t w r r i g t' b l p l o w o ' c p f' c' v u g t' b c z l o w o 0



5101 Hidden Creek Ln Spicewood TX 78669  
 Phone: 512-371-6159 | Fax: 512-351-8858  
 For terms and conditions of sales, please visit: www.abracon.com

REVISED: 1.6.2021  
 ABRACON IS  
 ISO9001-2015  
 CERTIFIED

# MINIATURE CERAMIC SMD CRYSTAL



ABM12

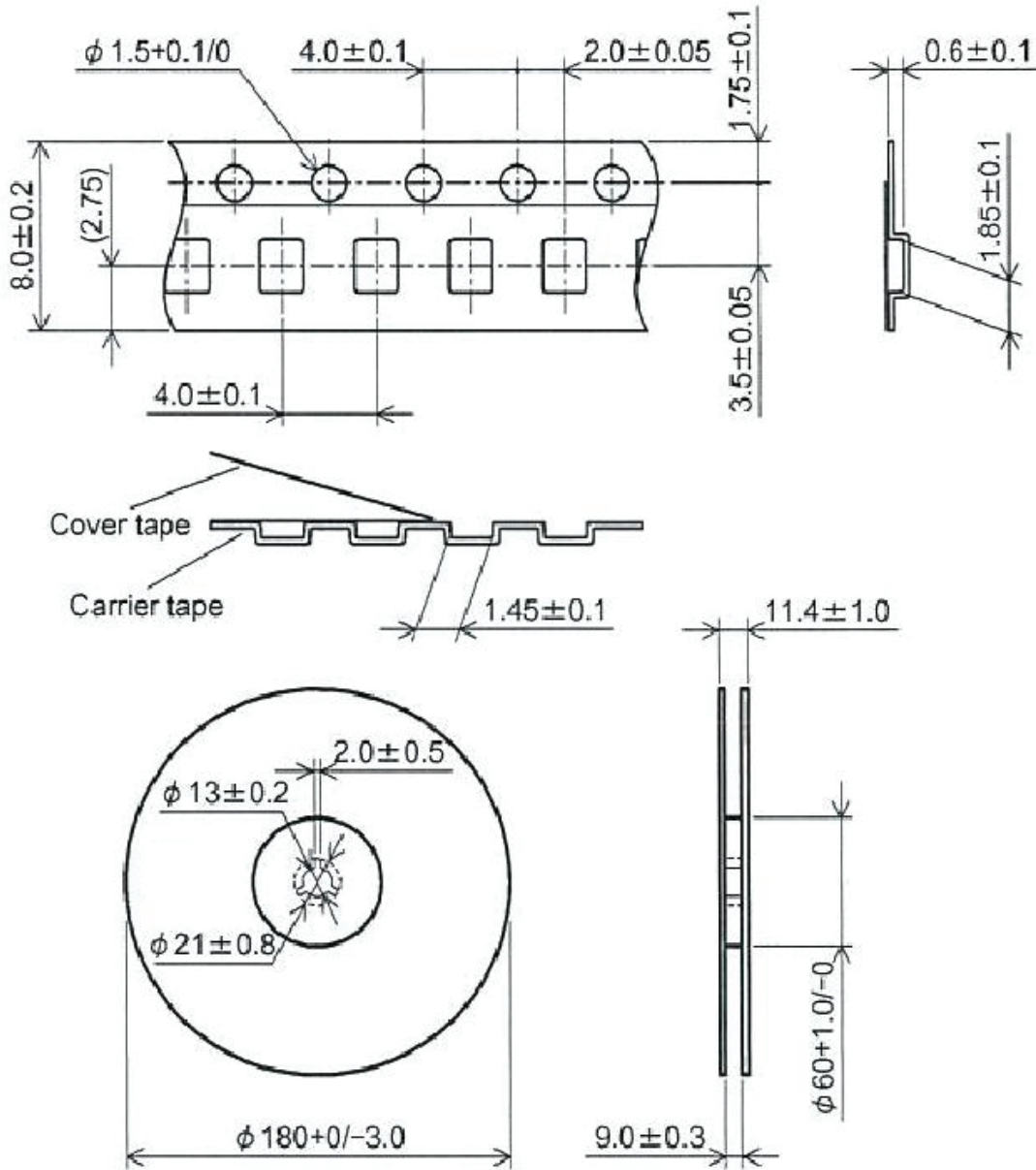
1.6 x 1.2 x 0.45mm

ABM12

RoHS/RoHS II Compliant

## TAPE & REEL:

- Option "-T": Tape and reel (1,000pcs/reel)
- Option "-T3": Tape and reel (3,000pcs/reel)



Dimensions: mm

## X-ON Electronics

Largest Supplier of Electrical and Electronic Components

*Click to view similar products for [Crystals](#) category:*

*Click to view products by [ABRACON](#) manufacturer:*

Other Similar products are found below :

[MC405 32.0000K-R3:PURE SN](#) [7B-27.000MBBK-T](#) [MP1-8.0 99-BU](#) [9B-15.360MBBK-B](#) [PTX-A2JM-10.000M](#) [9C-7.680MBBK-T](#) [H10S-12.000-18-EXT-TR](#) [R38-32.768-12.5-5PPM-NPB](#) [BTD1062E05A-513](#) [21U15A-21.4MHZ](#) [RTX-781DF1-S-20.950](#) [LFXTAL066198Cutt](#) [9C-14.31818MBBK-T](#) [A-11.000MHZ-27](#) [SPT2A-.032768B](#) [SPT2A.032768G](#) [SSPT7F-9PF20-R](#) [FX325BS-38.88EEM1201](#) [MP-1-25.000MHZ-3L](#) [MP-1-6.000MHZ](#) [LFXTAL065253Cutt](#) [LFXTAL066431Cutt](#) [XT9S20ANA14M7456](#) [XT9SNLANA16M](#) [646G-24-2](#) [7B-30.000MBBK-T](#) [6504-202-1501](#) [6526-202-1501](#) [BTJ120E02C](#) [SG636PCE-20.000MC](#) [3404](#) [ABL-4.000MHZ-DI](#) [C1E-24.000-7-2020-R](#) [C1E-19.200-12-1530-X-R](#) [C1E-16.000-12-1530-X-R](#) [FL5000014](#) [EUCA18-3.1872M](#) [425F35E027M0000](#) [17196](#) [MS3V-T1R-32.768kHz-7pF-20PPM-TA-QC-Au](#) [VXM7-1C1-16M000](#) [MS1V-T1K-32.768kHz-10pF-20PPM-TA-QC-Au](#) [MS1V-T1K-32.768kHz-12.5pF-20PPM-TA-QC-Au](#) [MS3V-T1R-32.768kHz-9pF-20PPM-TA-QC-Au](#) [17000](#) [17301](#) [16875](#) [ECS-80-18-30B-JEM-TR](#) [ECS-100-10-30B-CKL-TR](#)