

# CERAMIC SMD MICRO MINIATURE MICROPROCESSOR CRYSTAL



6.0 x 3.5 x 1.4mm

**ABM7**

Pb in Glass | **RoHS/RoHS II Compliant**  
(exempt per RoHS 2002/95/EC Annex (5))

Moisture Sensitivity Level (MSL) – This product is Hermetically Sealed and not Moisture Sensitive - MSL = N/A: Not Applicable

## FEATURES:

- Low in height (1.4 mm max.)
- Ceramic package assures high reliability
- Small size SMD, suitable for high density applications
- Superior heat-resistant glass sealing
- Wide operating temperature available

## APPLICATIONS:

- Computers, Modems, Communication equipment
- Thin equipment
- Industrial wide temperature applications

## STANDARD SPECIFICATIONS:

Parameters	Minimum	Typical	Maximum	Units	Notes
Frequency Range(*)	8.000		39.999999	MHz	Fundamental AT-cut (Standard)
	40.000		80.000		3 <sup>rd</sup> OT AT-cut (Standard)
	40.000		50.000		Fundamental AT-cut (See options)
Operating Temperature	-10		+60	°C	See options
Storage Temperature	-40		+90	°C	
Frequency Tolerance @+25°C	-50		+50	ppm	See options
Frequency Stability over the Operating Temperature ( ref. to +25°C)	-50		+50	ppm	See options
Equivalent series resistance	See table 1 below			Ω	
Shunt capacitance (C0)			7	pF	
Load capacitance (CL)		18		pF	See options
Drive Level		10	100	μW	
Aging@25°C±3°C			±5	ppm	First year
Insulation Resistance	500			MΩ	@ 100Vdc

(\*) Frequency above 40MHz based on availability. Please contact ABRACON

Table 1

Frequency (MHz)	ESR(Ω) max.	Operation Mode
8.000 – 9.999	100	Fundamental
10.000 – 11.999	80	Fundamental
12.000 – 15.999	60	Fundamental
16.000 – 50.000	50	Fundamental
40.000 – 80.000	70	3 <sup>rd</sup> Overtone

# CERAMIC SMD MICRO MINIATURE MICROPROCESSOR CRYSTAL



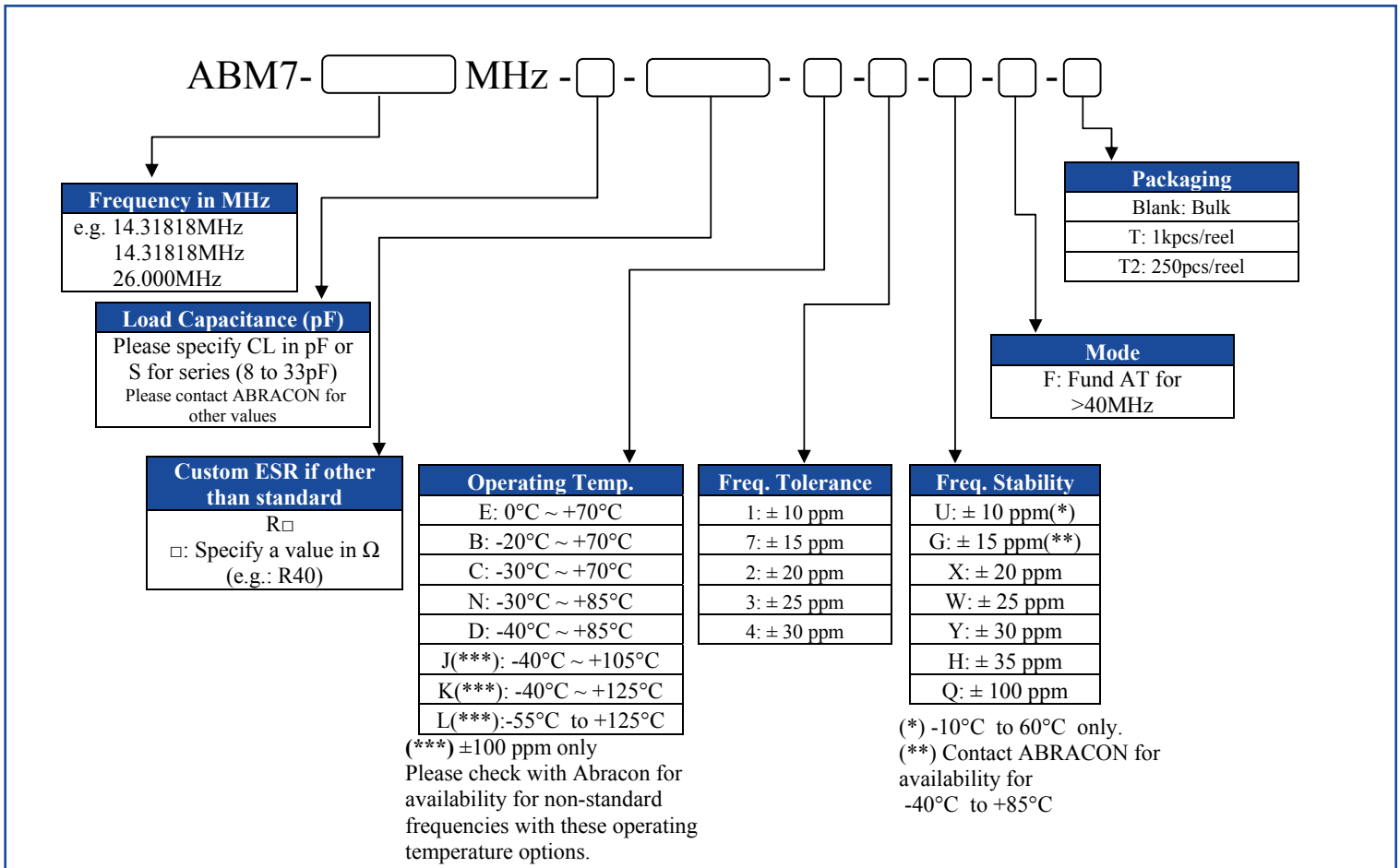
ABM7

6.0 x 3.5 x 1.4mm

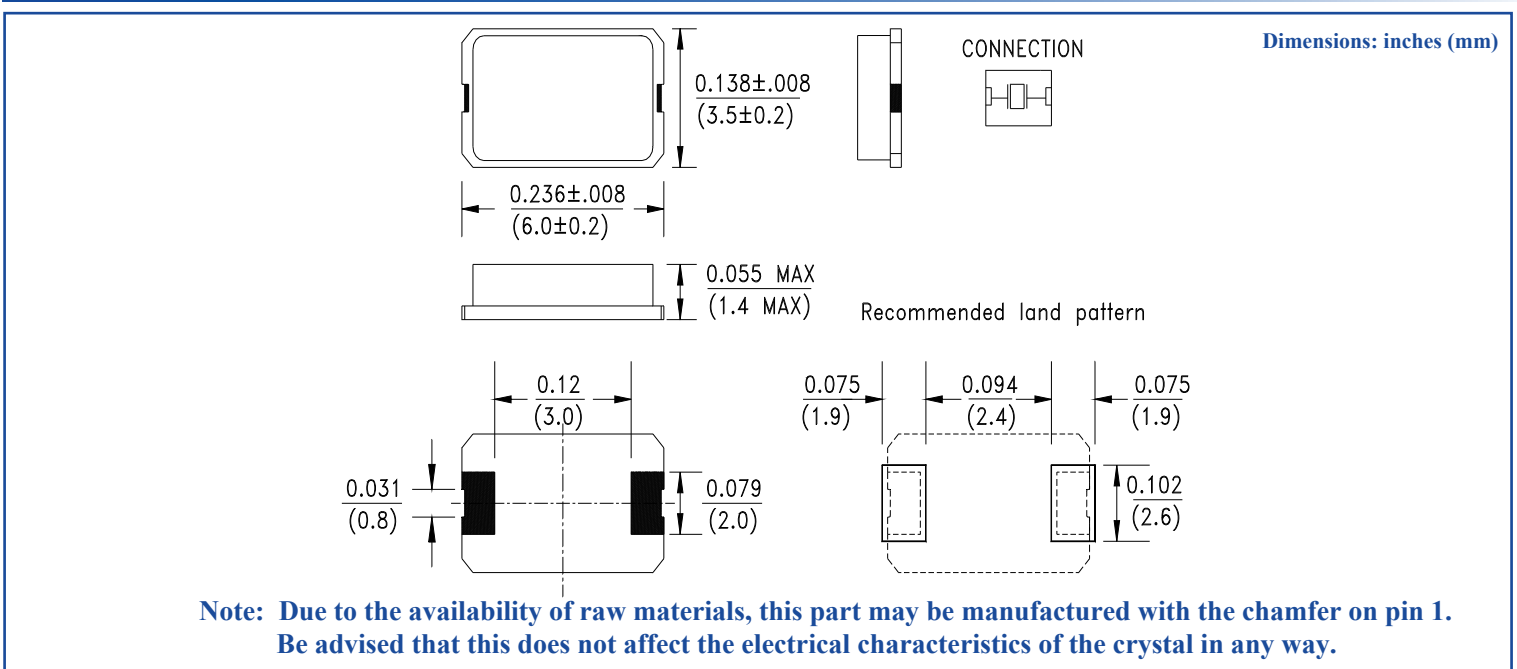
**ABM7**

Pb in Glass | **RoHS/RoHS II Compliant**  
 (exempt per RoHS 2002/95/EC Annex (5))

## OPTIONS AND PART IDENTIFICATION: (left blank if standard)



## OUTLINE DIMENSION:



# CERAMIC SMD MICRO MINIATURE MICROPROCESSOR CRYSTAL

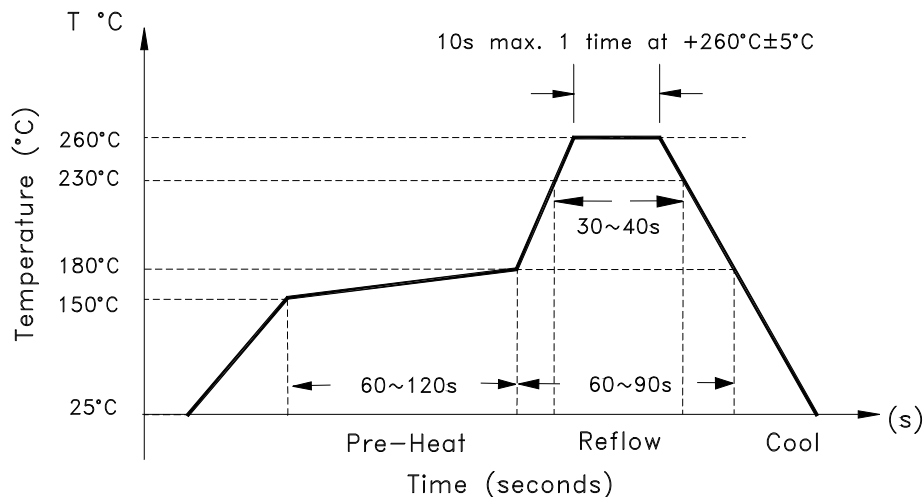


6.0 x 3.5 x 1.4mm

**ABM7**

Pb in Glass | **RoHS/RoHS II Compliant**  
 (exempt per RoHS 2002/95/EC Annex (5))

## REFLOW PROFILE:

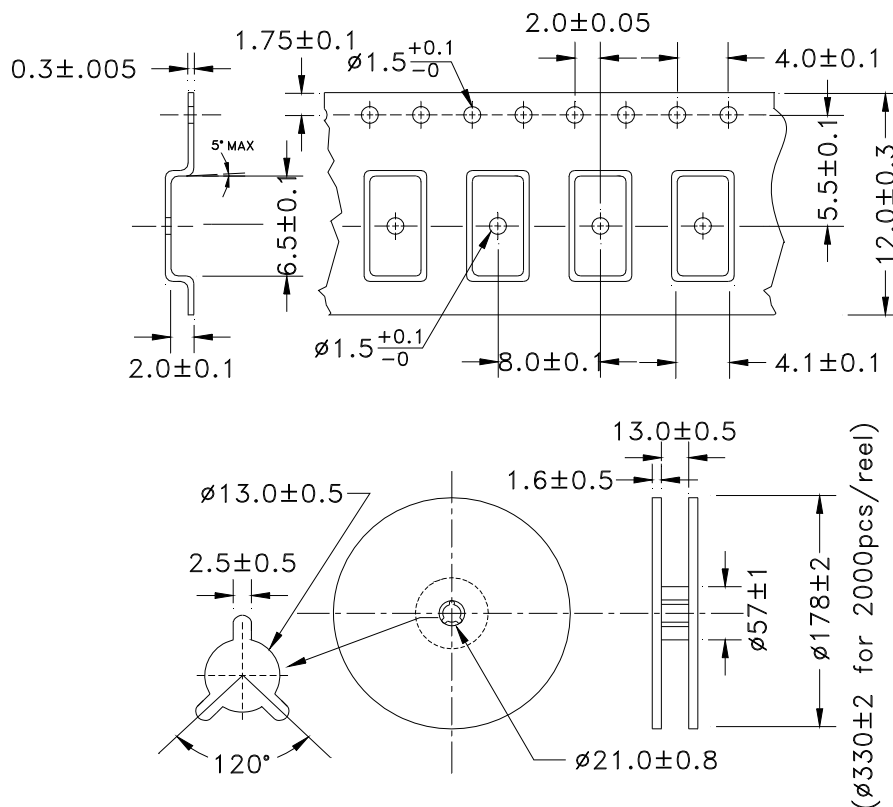


## TAPE & REEL:

**Packaging:**

**T: 1000pcs/reel**

FEEDING (PULL) DIRECTION →



**Dimensions: mm**

**ATTENTION:** Abracon Corporation's products are COTS – Commercial-Off-The-Shelf products; suitable for Commercial, Industrial and, where designated, Automotive Applications. Abracon's products are not specifically designed for Military, Aviation, Aerospace, Life-dependant Medical applications or any application requiring high reliability where component failure could result in loss of life and/or property. For applications requiring high reliability and/or presenting an extreme operating environment, written consent and authorization from Abracon Corporation is required. Please contact Abracon Corporation for more information.

ABRACON IS  
 ISO9001:2008  
 CERTIFIED



2 Faraday, Suite# B | Irvine | CA 92618 **Revised: 08.06.15**  
 Ph. 949.546.8000 | Fax. 949.546.8001  
 Visit [www.abracon.com](http://www.abracon.com) for Terms and Conditions of Sale

## X-ON Electronics

Largest Supplier of Electrical and Electronic Components

*Click to view similar products for [Abracon](#) manufacturer:*

Other Similar products are found below :

[AISC-1812H-470K-T](#) [ASGTX-BLANK](#) [ABLJO-V-155.520MHZ](#) [ABLNO-122.880MHZ](#) [ABLNO-V-96.000MHZ](#) [ABLS-10.240MHZ-B4-T](#)  
[ABM3B-26.000MHZ-10-D-1-G-T](#) [AOCJY3-40.000MHZ-E](#) [ARRSN5-868.000MHZ](#) [ASEMB-80.000MHZ-XY-T](#) [ASGTX-P-1.000GHz-1](#)  
[AST3TQ-T-24.576MHz-50-C](#) [ASTMLPD-24.000MHz-LJ-E-T](#) [ABLJO-V-150.000MHz](#) [ABM2-16.000MHZ-D4Y-T](#) [ABM8G-12.000MHZ-](#)  
[B4Y-T3](#) [AIRD-06-101K](#) [AOCJY6-10.000MHz-1](#) [ASFLMB-48.000MHZ-LY-T](#) [ASG-C-V-A-50.000MHz](#) [ASHEK2-32.768KHZ-LT](#) [AXS-](#)  
[5032-04-12](#) [ABM8X-101-24.000MHz-T](#) [AIML-0805-470K-T](#) [AOCJY3A-10.000MHZ-E](#) [ASFL1-50.000MHZ-EK-T](#) [AOCTQ5-X-](#)  
[10.000MHz-M10-SW](#) [ASPI-0705-820K-T](#) [AMPMAFB-19.2000T](#) [ABL-10.000MHZ-D-T](#) [ABM3B-27.120MHZ-10-D2H-T](#) [AOC2012XAJC-](#)  
[12.8000C](#) [EP1400SJETTSC-11.0592M](#) [EP1400SJETTSC-2.000M](#) [EHH1100TS-13.560M](#) [ABL-16.384MHZ-B2](#) [AIRD-01-680K](#) [AOCJY-](#)  
[10.000MHz](#) [AOCJY2-10.000MHz](#) [AOCJY-38.880MHZ-F](#) [AOCJY3A-100.000MHz-E](#) [ASG2-D-X-A-1000.000MHz](#) [ASG-D-X-A-](#)  
[200.000MHz](#) [ASGTX-P-1.500GHz-1](#) [AXS-3225-04-04](#) [AXS-3225-04-10](#) [AXS-5032-04-02](#) [AXS-7550-06-05](#) [ABLJO-92.160MHZ](#) [ABLS-](#)  
[6.7458MHZ-20-R60-D-T](#)