

Ultra Miniature Ceramic SMD Crystal

ABM8-272-T3

Request Samples



Check Inventory



3.2 x 2.5 x 0.8mm
RoHS/RoHS II Compliant
MSL Level = 1



Features

- 3.2 x 2.5 x 0.8 mm miniature package
- Suitable for RoHS compliant reflow
- Wide Operating Temperature (-40°C to +85°C)

Applications

- Crystal approved for use with Raspberry Pi RP2040 microcontroller

Key Electrical Specifications

Parameters	Minimum	Typical	Maximum	Units	Notes
Center Frequency	12.000			MHz	
Operation Mode	Fundamental-AT				
Operating Temperature	-40		+85	°C	
Storage Temperature	-55		+125	°C	
Frequency Tolerance at +25 °C	-30		+30	ppm	
Frequency Stability over the Operating Temperature (ref. to +25°C)	-30		+30	ppm	
Equivalent series resistance (R1)			50	Ω	
Shunt Capacitance (C0)			3.0	pF	
Load capacitance (CL)	10			pF	
Drive Level		10	200	μW	
Aging	-5		+5	ppm	@25±3°C, 1st year
Insulation Resistance	500			MΩ	@100Vdc±15V

ABM8-272-T3 is RoHS/RoHS II Compliant and Pb free

Moisture Sensitivity Level (MSL) – This product is Hermetically Sealed and not Moisture Sensitive - MSL = 1

Ultra Miniature Ceramic SMD Crystal

ABM8-272-T3

Request Samples



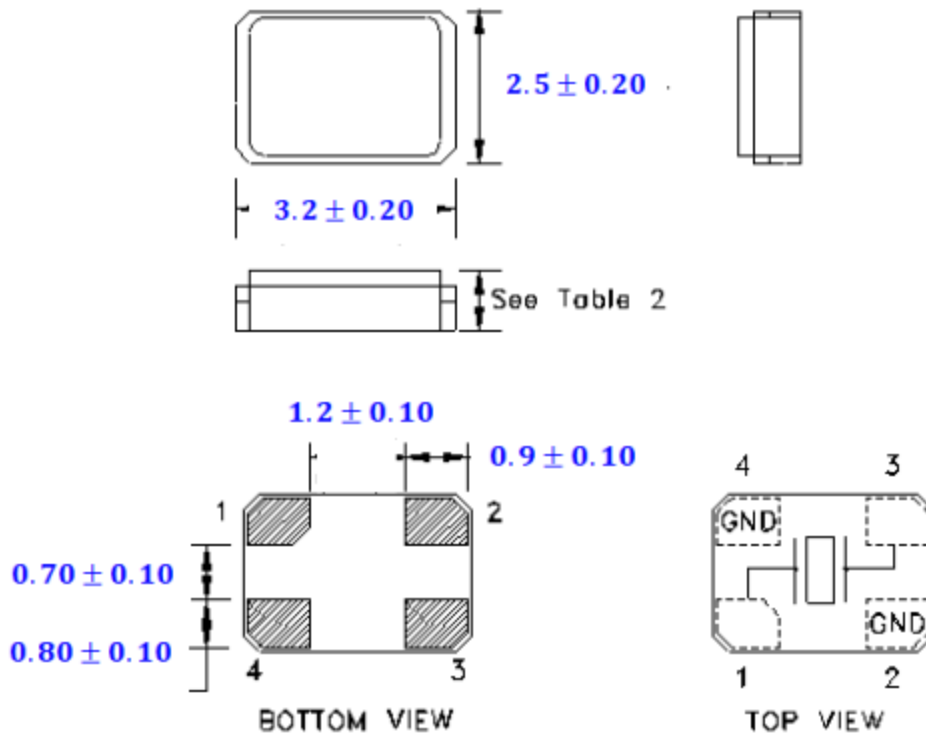
Check Inventory



3.2 x 2.5 x 0.8mm
RoHS/RoHS II Compliant
MSL Level = 1



Mechanical Dimensions



Note: Due to material availability, the chamfer could be located on pin #1, 3, or 4. Be advised that the chamfer location has no impact on the electrical performance of the device.

Dimensions: mm

Ultra Miniature Ceramic SMD Crystal

ABM8-272-T3

Request Samples



Check Inventory

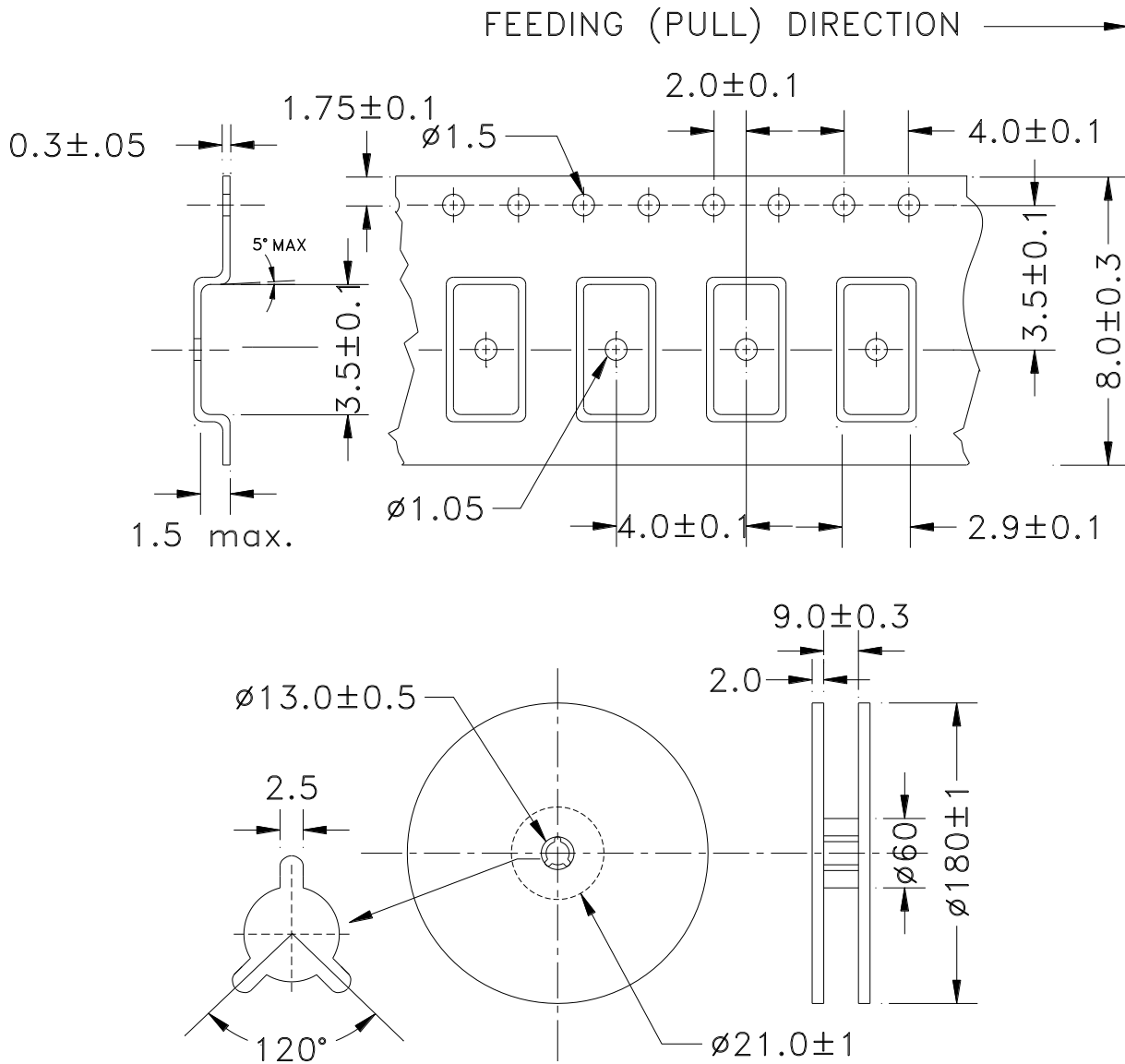


3.2 x 2.5 x 0.8mm
RoHS/RoHS II Compliant
MSL Level = 1



Packaging

Tape and Reel (3,000pcs/reel)



Dimensions: mm



5101 Hidden Creek Ln Spicewood TX 78669
Phone: 512-371-6159 | Fax: 512-351-8858
For terms and conditions of sales, please visit:
www.abracon.com

REVISED: 01-18-24

ABRACON IS
ISO9001-2015
CERTIFIED

X-ON Electronics

Largest Supplier of Electrical and Electronic Components

Click to view similar products for [Crystals](#) category:

Click to view products by [Abracon](#) manufacturer:

Other Similar products are found below :

[CX3225GB25000M0PPSZ1](#) [718-13.2-1](#) [7A-40.000MAAE-T](#) [FL2000085](#) [99-BU](#) [9B-15.360MBBK-B](#) [9C-7.680MBBK-T](#) [H10S-12.000-18-EXT-TR](#) [ABC2-6.000MHZ-D4Z-T](#) [ABLS-20.000MHZ-D2-T](#) [ABM3B-27.000MHZ-D4Y-T](#) [ABS071-32.768KHZ-6-T](#) [R38-32.768-12.5-5PPM-NPB](#) [BTD1062E05A-513](#) [C711980XFAS30XX](#) [21U15A-21.4MHZ](#) [RTX-781DF1-S-20.950](#) [LFXTAL066198Cutt](#) [9C-14.31818MBBK-T](#) [A-11.000MHZ-27](#) [ABL-27.000MHZ-B4Y-T](#) [ABM11-132-24.000MHZ-T3](#) [ABM3B1-25.000MHZ-D2Y-T](#) [SPT2A-.032768B](#) [SPT2A.032768G](#) [SSPT7F-9PF20-R](#) [LFXTAL065253Cutt](#) [LFXTAL066431Cutt](#) [XT9S20ANA14M7456](#) [XT9SNLANA16M](#) [7A-24.576MBBK-T](#) [7B-30.000MBBK-T](#) [CX2520DB16000H0HPQCC](#) [MMCC2R32.7680KHZ](#) [7A-14.31818MBBK-T](#) [6504-202-1501](#) [6526-202-1501](#) [ABLS-12.000MHZ-B2Y-T](#) [7A-10.000MBBK-T](#) [SG636PCE-20.000MC](#) [3404](#) [CM315D32768EZFT](#) [C1E-24.000-7-2020-R](#) [C1E-19.200-12-1530-X-R](#) [C1E-16.000-12-1530-X-R](#) [ABM11-16.000MHZ-9-B1U-T](#) [FL5000014](#) [EUCA18-3.1872M](#) [FX0800015](#)
[425F35E027M0000](#)