

ULTRA MINIATURE CERAMIC GLASS SEALED SMD CRYSTAL



ABM8G-106-12.000MHZ-T

Pb IN GLASS EXEMPTION 7 (C)-I PER
RoHS II 2011/65/EU ANNEX

3.2 x 2.5 x 1.0mm
RoHS/RoHS II Compliant

MSL = N/A: NOT APPLICABLE

FEATURES

- Low in height; suitable for thin equipment
- Glass sealed package assures high reliability and high temperature operation
- IR reflow capable
- Low cost version of ABM8 crystal

APPLICATIONS

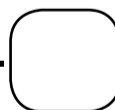
- Automotive applications
- High density applications
- Modems, communication and test equipment.
- PCMCIA, Wireless applications

KEY ELECTRICAL SPECIFICATIONS

Parameters	Minimum	Typical	Maximum	Units	Notes
Frequency Range	12.000			MHz	
Operation Mode	Fundamental				
Operating Temperature Range	-40		+85	°C	
Storage Temperature	-40		+85	°C	
Frequency Tolerance @ +25°C	-20		+20	ppm	
Frequency Stability over the Operating Temperature (ref. to +25°C)	-30		+30	ppm	
Equivalent series resistance (R1)			120	Ω	
Shunt capacitance (C0)			5.0	pF	
Load capacitance (CL)	10			pF	
Drive Level		10	100	μW	
Aging@25°C±3°C			±3	ppm	First year
Insulation Resistance	500			MΩ	@ 100Vdc ± 15V

PART IDENTIFICATION

ABM8G-106-12.000MHZ-



Packaging
Blank: Bulk
T: 1kpcs / reel
T3: 3kpcs / reel

ULTRA MINIATURE CERAMIC GLASS SEALED SMD CRYSTAL



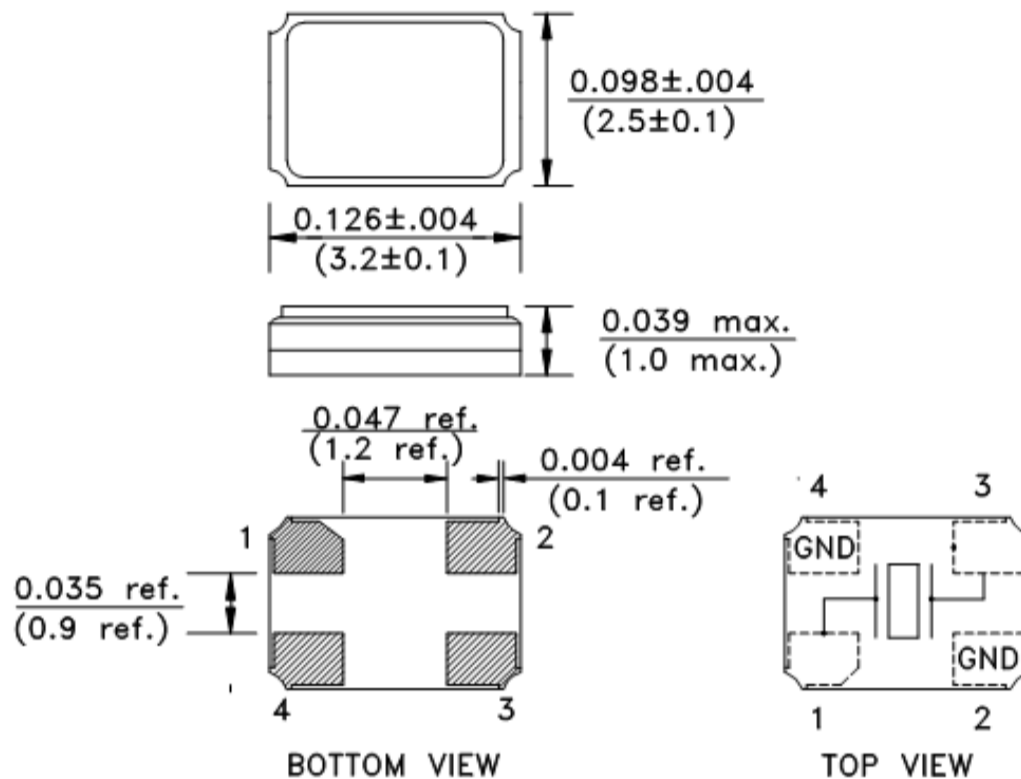
ABM8G-106-12.000MHZ-T

PB IN GLASS EXEMPTION 7 (C)-I PER
RoHS II 2011/65/EU ANNEX

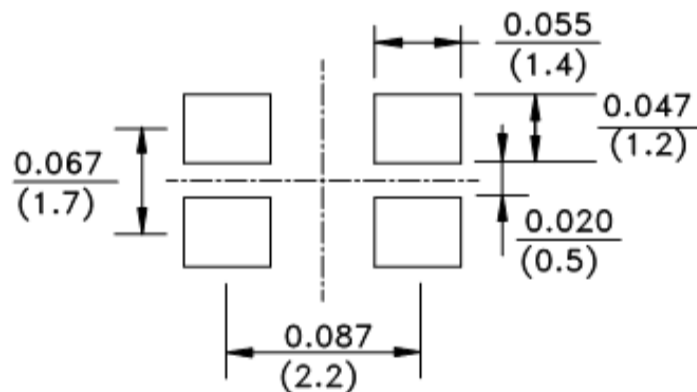
3.2 x 2.5 x 1.0mm
RoHS/RoHS II Compliant

MSL = N/A: NOT APPLICABLE

MECHANICAL DIMENSIONS



Recommended land pattern



Dimensions: inches (mm)

Note: Due to the availability of raw materials, this part may be manufactured with the chamfer on pin 4. Be advised that this does not affect the electrical characteristics of the crystal in any way.

SEALING METHOD = GLASS SEALING

ULTRA MINIATURE CERAMIC GLASS SEALED SMD CRYSTAL



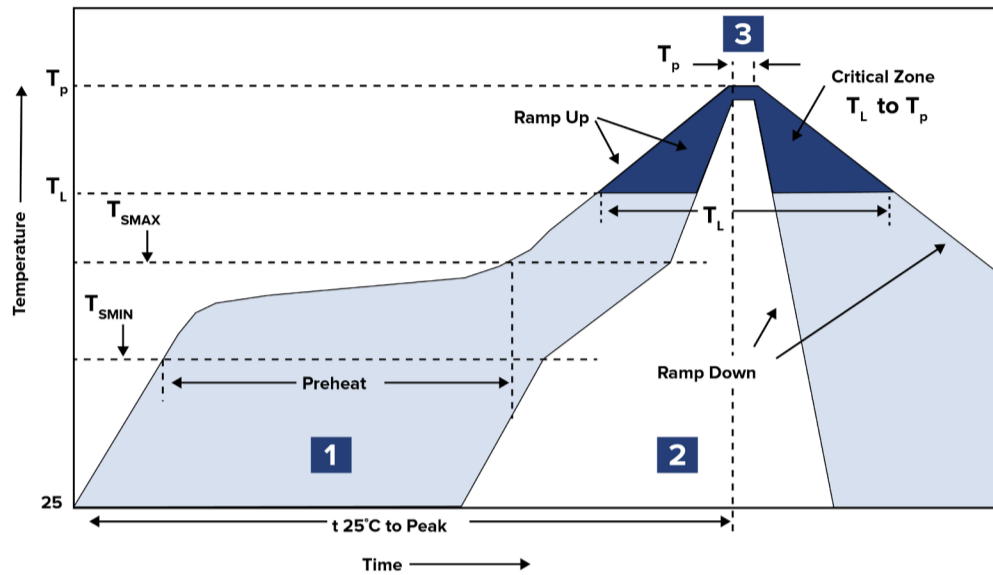
ABM8G-106-12.000MHZ-T

PB IN GLASS EXEMPTION 7 (C)-I PER
RoHS II 2011/65/EU ANNEX

3.2 x 2.5 x 1.0mm
RoHS/RoHS II Compliant

MSL = N/A: NOT APPLICABLE

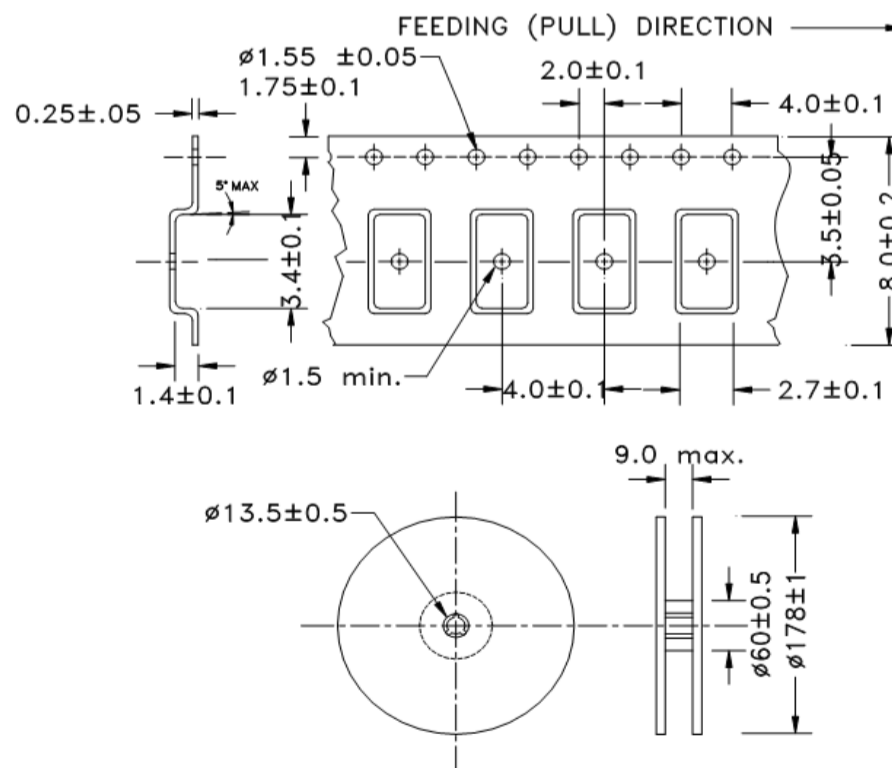
REFLOW PROFILE



Zone	Description	Temperature	Time
1	Preheat / Soak	$T_{SMIN} \sim T_{SMAX}$ 150°C ~ 180°C	60 ~ 120 sec.
2	Reflow	T_L 230°C	30 ~ 40 sec.
3	Peak Heat	T_P 260°C ± 5°C	10 sec. MAX.

PACKAGING:

T: Tape and reel (1,000 pcs/reel)
T3: Tape and reel (3,000 pcs/reel)



Dimensions: mm

X-ON Electronics

Largest Supplier of Electrical and Electronic Components

Click to view similar products for [Crystals](#) category:

Click to view products by [Abracon](#) manufacturer:

Other Similar products are found below :

[MC405 32.0000K-R3:PURE SN](#) [7B-27.000MBBK-T](#) [MP1-8.0 99-BU](#) [9B-15.360MBBK-B](#) [PTX-A2JM-10.000M](#) [9C-7.680MBBK-T](#) [H10S-12.000-18-EXT-TR](#) [R38-32.768-12.5-5PPM-NPB](#) [BTD1062E05A-513](#) [21U15A-21.4MHZ](#) [RTX-781DF1-S-20.950](#) [LFXTAL066198Cutt](#) [9C-14.31818MBBK-T](#) [A-11.000MHZ-27](#) [SPT2A-.032768B](#) [SPT2A.032768G](#) [SSPT7F-9PF20-R](#) [FX325BS-38.88EEM1201](#) [MP-1-25.000MHZ-3L](#) [MP-1-6.000MHZ](#) [LFXTAL065253Cutt](#) [LFXTAL066431Cutt](#) [XT9S20ANA14M7456](#) [XT9SNLANA16M](#) [646G-24-2](#) [7B-30.000MBBK-T](#) [6504-202-1501](#) [6526-202-1501](#) [BTJ120E02C](#) [SG636PCE-20.000MC](#) [3404](#) [CM315D32768EZFT](#) [C1E-24.000-7-2020-R](#) [C1E-19.200-12-1530-X-R](#) [C1E-16.000-12-1530-X-R](#) [ABM11-16.000MHZ-9-B1U-T](#) [FL5000014](#) [EUCA18-3.1872M](#) [425F35E027M0000](#) [17196](#) [MS3V-T1R-32.768kHz-7pF-20PPM-TA-QC-Au](#) [VXM7-1C1-16M000](#) [MS1V-T1K-32.768kHz-10pF-20PPM-TA-QC-Au](#) [MS1V-T1K-32.768kHz-12.5pF-20PPM-TA-QC-Au](#) [MS3V-T1R-32.768kHz-9pF-20PPM-TA-QC-Au](#) [17000](#) [17301](#) [16875](#) [ECS-80-18-30B-JEM-TR](#)