

# MINIATURE CERAMIC SMD CRYSTAL



4.0 x 2.5 x 0.8mm



**RoHS**  
Compliant

ABM9-16.000MHz-10-D-1-U-T

## FEATURES:

- Low profile package, ideal for space constraint designs
- Tight frequency stability of  $\pm 10$  ppm over  $-10^{\circ}\text{C}$  to  $+60^{\circ}\text{C}$  and  $\pm 20$  ppm over wide operating range of  $-40^{\circ}\text{C}$  to  $+85^{\circ}\text{C}$
- Suitable for RoHS compliant reflow

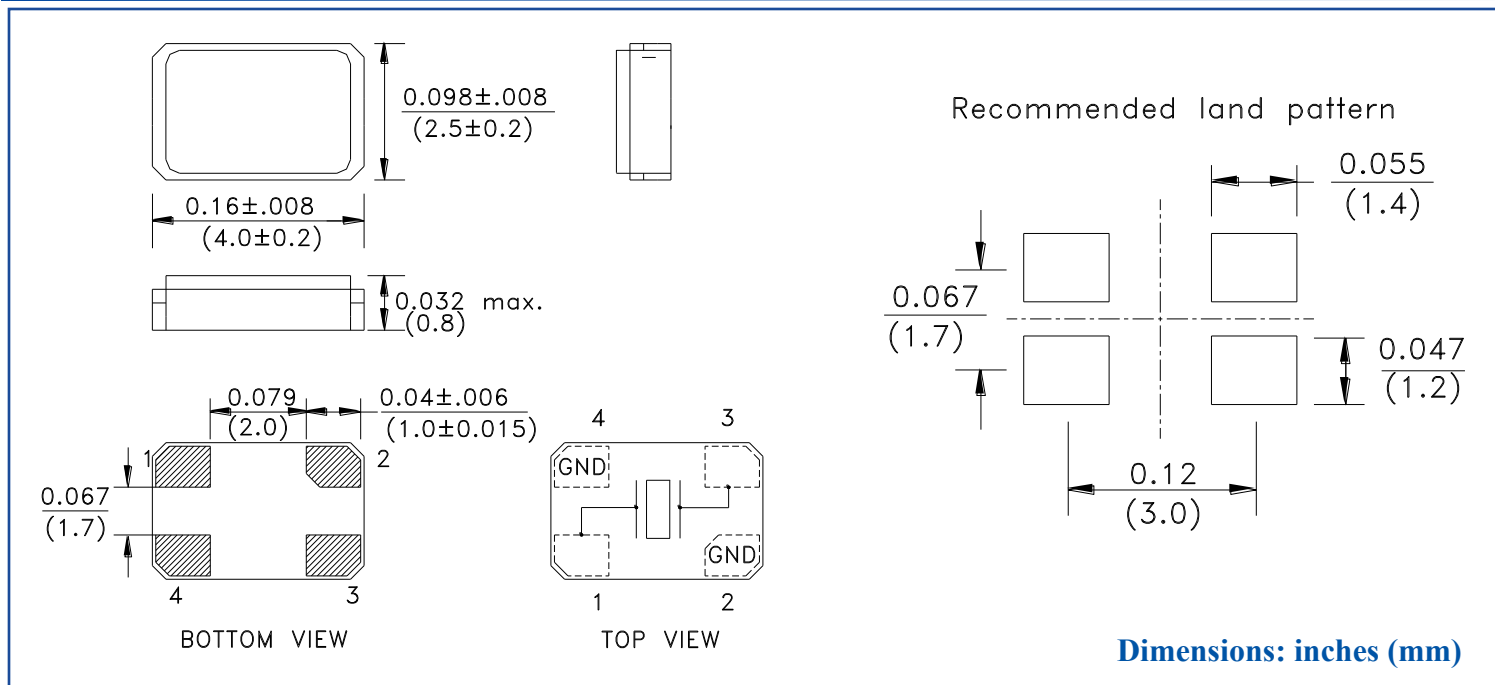
## APPLICATIONS:

- Optimized for Micrel MICRF505 Chipset
- PCMCIA and hand held Wireless applications
- Modems, communication and test equipment
- High density applications requiring precision, low profile crystal

## STANDARD SPECIFICATIONS:

| Parameters   | Minimum         | Typical | Maximum | Units              | Notes   |
|--|-----------------|---------|---------|--------------------|---|
| Frequency Range  |                 | 16.000  |         | MHz                |   |
| Operation Mode   | Fundamental, AT |         |         | ----               |   |
| Operating Temperature  | -40             | ----    | +85     | $^{\circ}\text{C}$ |   |
| Storage Temperature  | -40             | ----    | +105    | $^{\circ}\text{C}$ |   |
| Frequency Tolerance @ $+25^{\circ}\text{C}$  | -10             | ----    | +10     | ppm                |   |
| Frequency Stability over $-10^{\circ}\text{C} \sim +60^{\circ}\text{C}$ (ref. to $+25^{\circ}\text{C}$ ) | -10             | ----    | +10     | ppm                |   |
| Frequency Stability over $-40^{\circ}\text{C} \sim +85^{\circ}\text{C}$ (ref. to $+25^{\circ}\text{C}$ ) | -20             | ----    | +20     | ppm                |   |
| Equivalent series resistance (R1)  | 80              |         |         | $\Omega$           |   |
| Shunt capacitance (C0)   | ----            | ----    | 7.0     | pF                 |   |
| Load capacitance (CL)  | ----            | 10.0    | ----    | pF                 |   |
| Drive Level  | ----            | 10      | 100     | $\mu\text{W}$      |   |
| Aging  | -5              | ----    | +5      | ppm                | @ $25^{\circ}\text{C} \pm 3^{\circ}\text{C}$ , First year |
| Insulation Resistance  | 500             | ----    | ----    | M $\Omega$         | @ 100Vdc $\pm$ 15V  |

## OUTLINE DRAWING:



# MINIATURE CERAMIC SMD CRYSTAL

ABM9-16.000MHz-10-D-1-U-T

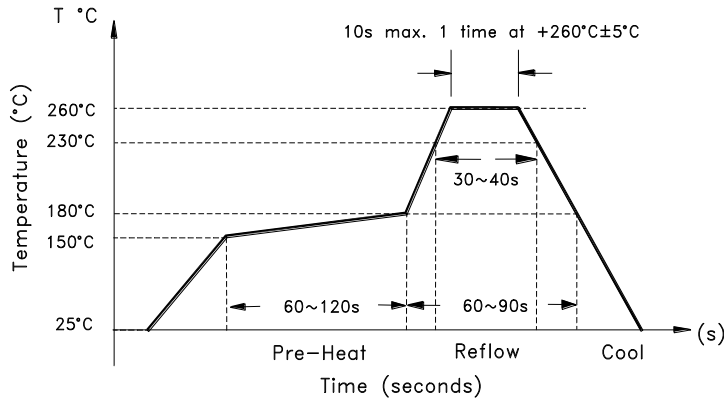


RoHS  
Compliant



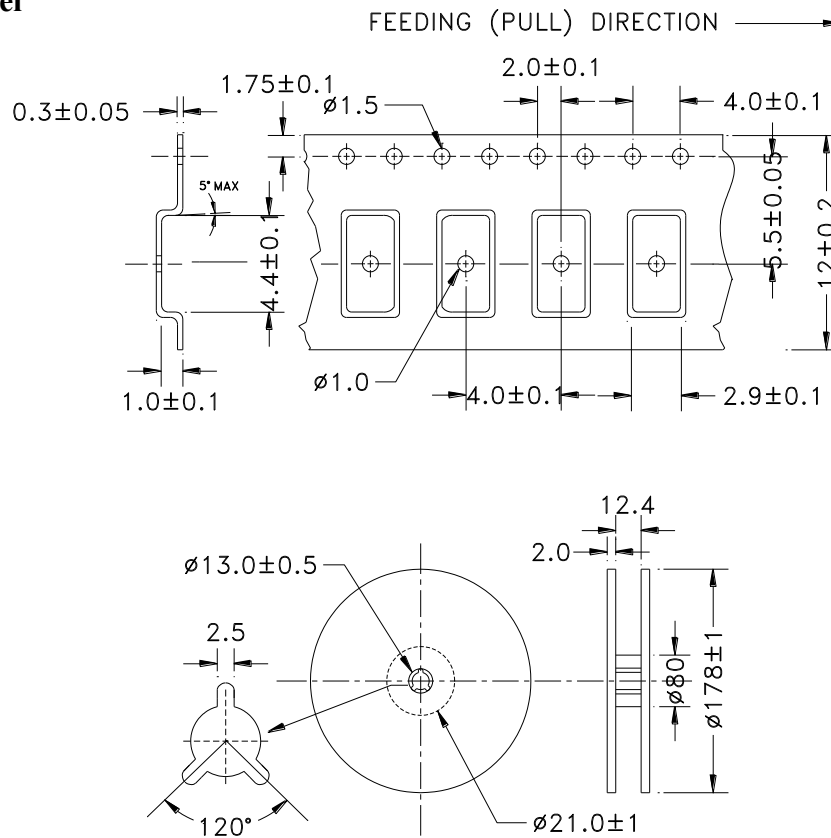
4.0 x 2.5 x 0.8mm

## REFLOW PROFILE:



## TAPE & REEL:

Packaging: 1000pcs/reel



Dimensions: mm

**ATTENTION:** Abracon Corporation's products are COTS – Commercial-Off-The-Shelf products; suitable for Commercial, Industrial and, where designated, Automotive Applications. Abracon's products are not specifically designed for Military, Aviation, Aerospace, Life-dependant Medical applications or any application requiring high reliability where component failure could result in loss of life and/or property. For applications requiring high reliability and/or presenting an extreme operating environment, written consent and authorization from Abracon Corporation is required. Please contact Abracon Corporation for more information.

ABRACON IS  
ISO 9001: 2008  
CERTIFIED



Visit [www.abracon.com](http://www.abracon.com) for Terms & Conditions of Sale

Revised: 08.28.12

30332 Esperanza, Rancho Santa Margarita, California 92688  
tel 949-546-8000 | fax 949-546-8000 | [www.abracon.com](http://www.abracon.com)

## X-ON Electronics

Largest Supplier of Electrical and Electronic Components

*Click to view similar products for [Crystals](#) category:*

*Click to view products by [ABRACON](#) manufacturer:*

Other Similar products are found below :

[MC405 32.0000K-R3:PURE SN](#) [7B-27.000MBBK-T](#) [MP1-8.0 99-BU](#) [9B-15.360MBBK-B](#) [PTX-A2JM-10.000M](#) [9C-7.680MBBK-T](#) [H10S-12.000-18-EXT-TR](#) [R38-32.768-12.5-5PPM-NPB](#) [BTD1062E05A-513](#) [21U15A-21.4MHZ](#) [RTX-781DF1-S-20.950](#) [LFXTAL066198Cutt](#) [9C-14.31818MBBK-T](#) [A-11.000MHZ-27](#) [SPT2A-.032768B](#) [SPT2A.032768G](#) [SSPT7F-9PF20-R](#) [FX325BS-38.88EEM1201](#) [MP-1-25.000MHZ-3L](#) [MP-1-6.000MHZ](#) [LFXTAL065253Cutt](#) [LFXTAL066431Cutt](#) [XT9S20ANA14M7456](#) [XT9SNLANA16M](#) [646G-24-2](#) [7B-30.000MBBK-T](#) [6504-202-1501](#) [6526-202-1501](#) [BTJ120E02C](#) [SG636PCE-20.000MC](#) [3404](#) [CM315D32768EZFT](#) [C1E-24.000-7-2020-R](#) [C1E-19.200-12-1530-X-R](#) [C1E-16.000-12-1530-X-R](#) [ABM11-16.000MHZ-9-B1U-T](#) [FL5000014](#) [EUCA18-3.1872M](#) [425F35E027M0000](#) [17196](#) [MS3V-T1R-32.768kHz-7pF-20PPM-TA-QC-Au](#) [VXM7-1C1-16M000](#) [MS1V-T1K-32.768kHz-10pF-20PPM-TA-QC-Au](#) [MS1V-T1K-32.768kHz-12.5pF-20PPM-TA-QC-Au](#) [MS3V-T1R-32.768kHz-9pF-20PPM-TA-QC-Au](#) [17000](#) [17301](#) [16875](#) [ECS-80-18-30B-JEM-TR](#)