

SMD MICROPROCESSOR CRYSTAL



11.0 x 5.0 x 2.0 mm

ABMC2



FEATURES:

- 2.0 mm height
- Hermetically sealed package offers high reliability.
- AT cut offers tighter stability
- Resistance welded
- Extended temperature available
- Low frequency in SMD package
- IR Reflow capable

APPLICATIONS:

- PCMCIA applications
- Microprocessors
- Communication equipment, Networking, Thin equipment

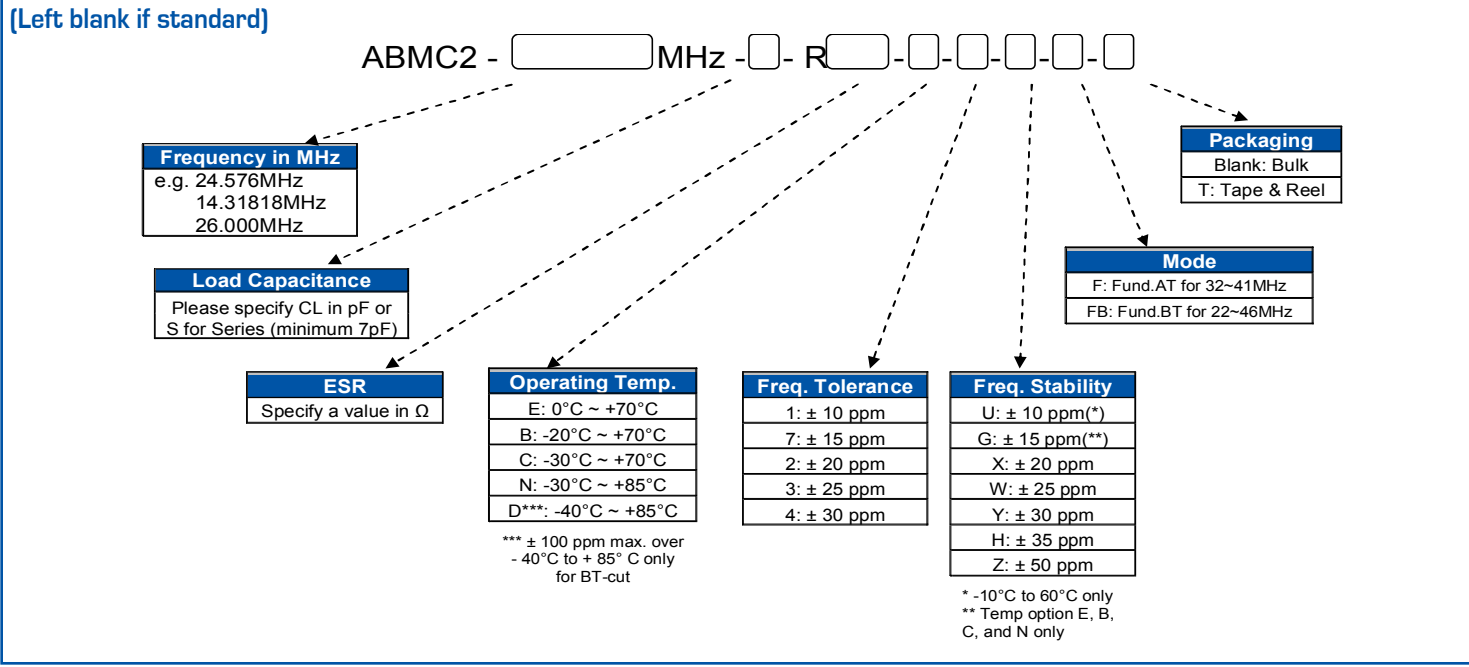
STANDARD SPECIFICATIONS:

ABRACON P/N:	ABMC2 Series
Frequency:	3.579545 MHz to 70 MHz
Operation mode:	AT-strip or BT-strip 3.5 MHz - 32.00 MHz (Fundamental AT-cut: Standard) 32.00 MHz - 70.00 MHz (3rd OT AT-cut: Standard) 32.00 MHz - 41.00 MHz (Fundamental AT-cut: See options) 22.00 MHz - 46.00 MHz (Fundamental BT-cut: See options)
Operating temperature:	- 10°C to + 60°C (see options)
Storage temperature:	- 40°C to + 85° C
Frequency tolerance:	± 50 ppm max. (see options)
Frequency stability over the operating temperature (Ref to +25° C):	± 100 ppm max. (see options) ± 100 ppm max. over - 40°C to + 85° C only for BT-cut
Equivalent series resistance (max.):	See Table 1
Shunt capacitance C0:	7.0pF max.
Load capacitance CL:	18.0pF (see option)
Drive level:	100 µW max.
Aging (per year) @ 25° C:	± 5 ppm max.
Insulation resistance:	500 MΩ min. at 100 Vdc ± 15 Vdc

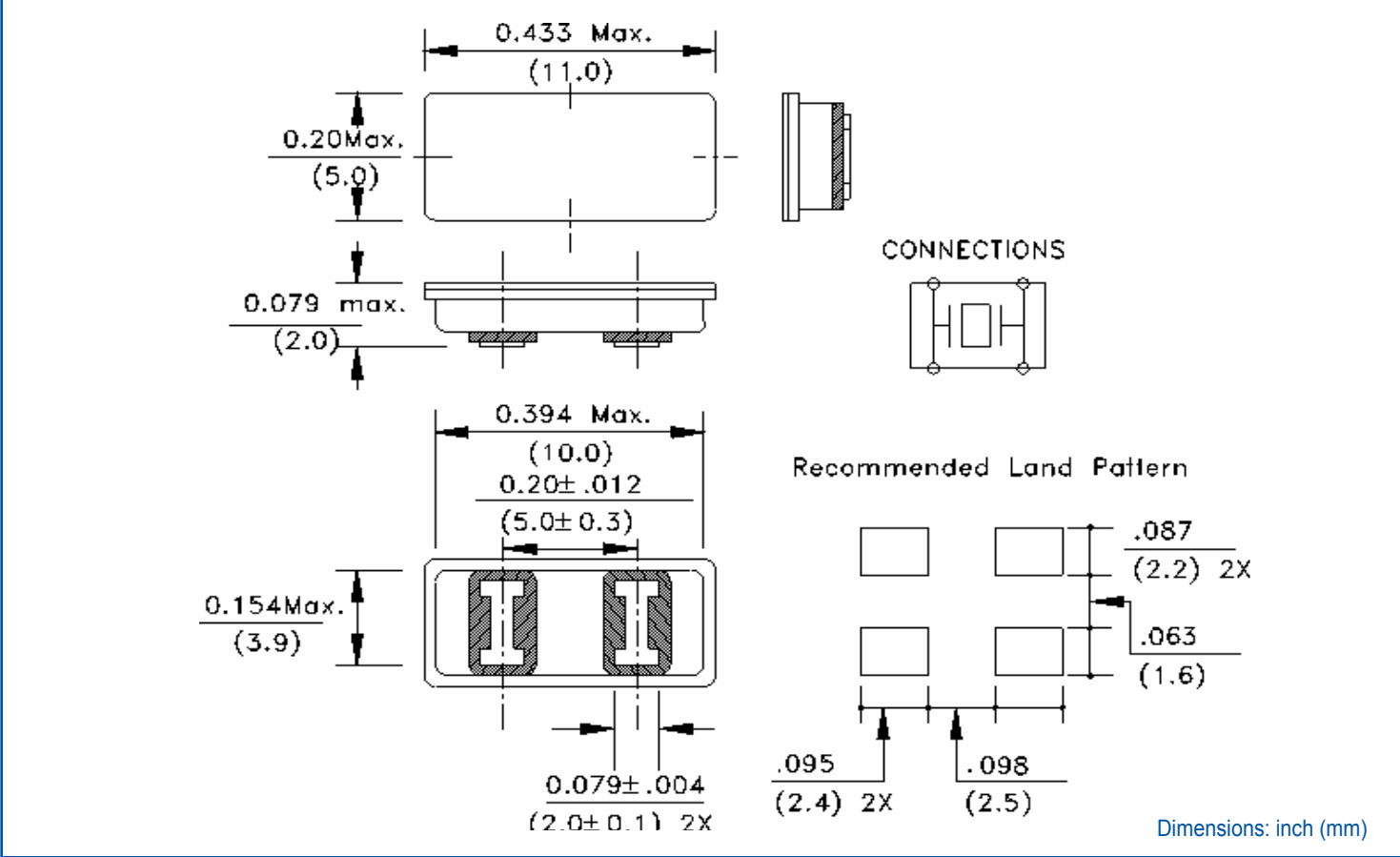
Table 1 Standard ESR

Frequency (MHz)	ESR(Ω) max.
3.500 - 3.999 (AT cut fund.)	180
4.000 - 4.999 (AT cut fund.)	150
5.000 - 5.999 (AT cut fund.)	120
6.000 - 6.999 (AT cut fund.)	100
7.000 - 8.999 (AT cut fund.)	80
9.000 - 12.999 (AT cut fund.)	60
13.00 - 19.999 (AT cut fund.)	50
20.00 - 41.00 (AT cut fund.)	40
22.00 - 46.00 (BT cut)	60
32.00 - 70.00 (3rd O/T)	80

OPTIONS AND PART IDENTIFICATION:



OUTLINE DRAWING:



SMD MICROPROCESSOR CRYSTAL

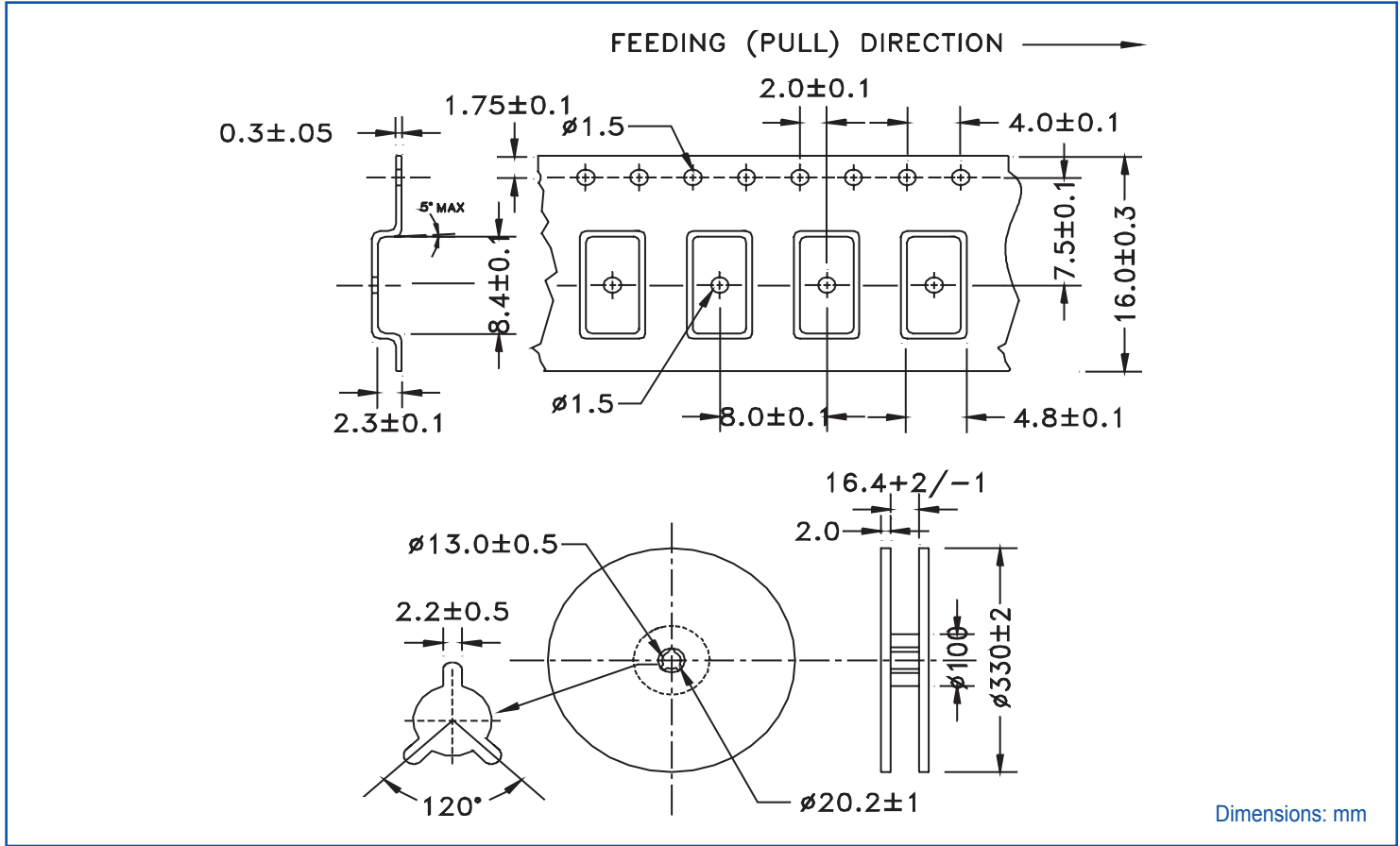


ABMC2

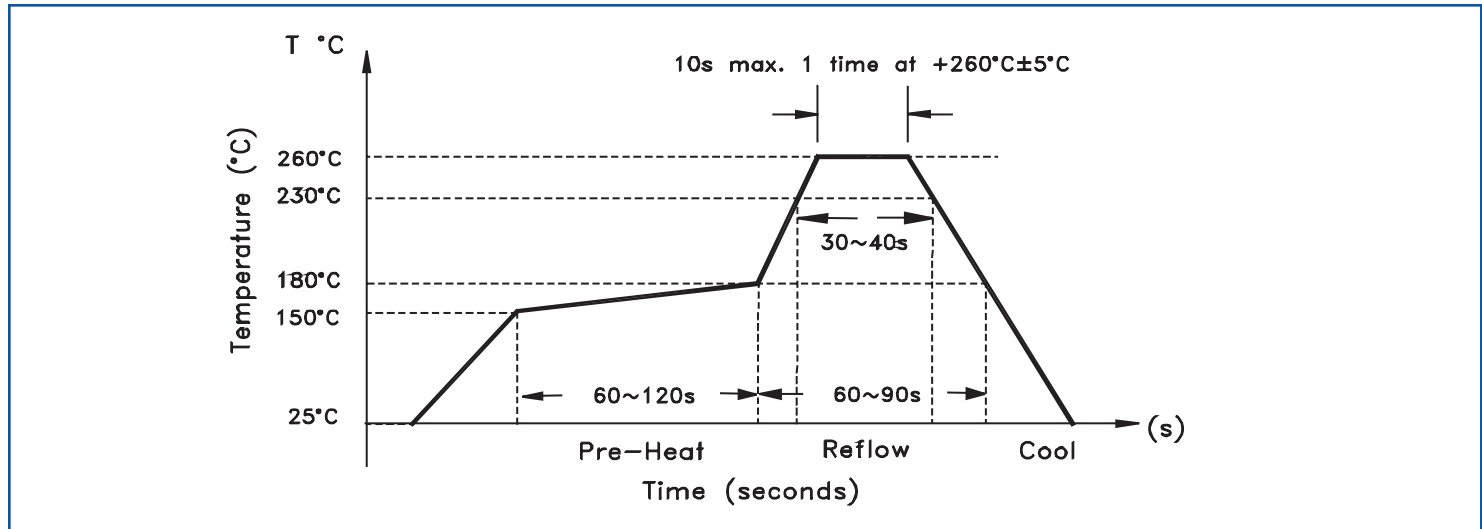
Pb RoHS Compliant

11.0 x 5.0 x 2.0 mm

➤ **TAPE & REEL:** T = Tape and reel 1,000pcs/reel



➤ **REFLOW PROFILE:**



ATTENTION: Abracon Corporation's products are COTS – Commercial-Off-The-Shelf products; suitable for Commercial, Industrial and, where designated, Automotive Applications. Abracon's products are not specifically designed for Military, Aviation, Aerospace, Life-dependant Medical applications or any application requiring high reliability where component failure could result in loss of life and/or property. For applications requiring high reliability and/or presenting an extreme operating environment, written consent and authorization from Abracon Corporation is required. Please contact Abracon Corporation for more information.

ABRACON IS
ISO9001:2008
CERTIFIED



Visit www.abracon.com for Terms & Conditions of Sale **Revised: 08-19-10**
30332 Esperanza, Rancho Santa Margarita, California 92688
tel 949-546-8000 | fax 949-546-8001 | www.abracon.com

X-ON Electronics

Largest Supplier of Electrical and Electronic Components

Click to view similar products for [Crystals](#) category:

Click to view products by [ABRACON](#) manufacturer:

Other Similar products are found below :

[MC405 32.0000K-R3:PURE SN](#) [7B-27.000MBBK-T](#) [MP1-8.0 99-BU](#) [9B-15.360MBBK-B](#) [PTX-A2JM-10.000M](#) [9C-7.680MBBK-T](#) [H10S-12.000-18-EXT-TR](#) [R38-32.768-12.5-5PPM-NPB](#) [BTD1062E05A-513](#) [21U15A-21.4MHZ](#) [RTX-781DF1-S-20.950](#) [LFXTAL066198Cutt](#) [9C-14.31818MBBK-T](#) [A-11.000MHZ-27](#) [SPT2A-.032768B](#) [SPT2A.032768G](#) [SSPT7F-9PF20-R](#) [FX325BS-38.88EEM1201](#) [MP-1-25.000MHZ-3L](#) [MP-1-6.000MHZ](#) [LFXTAL065253Cutt](#) [LFXTAL066431Cutt](#) [XT9S20ANA14M7456](#) [XT9SNLANA16M](#) [646G-24-2](#) [7B-30.000MBBK-T](#) [6504-202-1501](#) [6526-202-1501](#) [BTJ120E02C](#) [SG636PCE-20.000MC](#) [3404](#) [CM315D32768EZFT](#) [C1E-24.000-7-2020-R](#) [C1E-19.200-12-1530-X-R](#) [C1E-16.000-12-1530-X-R](#) [ABM11-16.000MHZ-9-B1U-T](#) [FL5000014](#) [EUCA18-3.1872M](#) [425F35E027M0000](#) [17196](#) [MS3V-T1R-32.768kHz-7pF-20PPM-TA-QC-Au](#) [VXM7-1C1-16M000](#) [MS1V-T1K-32.768kHz-10pF-20PPM-TA-QC-Au](#) [MS1V-T1K-32.768kHz-12.5pF-20PPM-TA-QC-Au](#) [MS3V-T1R-32.768kHz-9pF-20PPM-TA-QC-Au](#) [17000](#) [17301](#) [16875](#) [ECS-80-18-30B-JEM-TR](#)