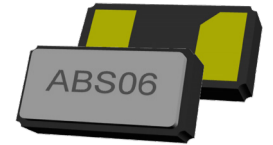


SMD LOW PROFILE CRYSTAL



ABS06-127-32.768KHZ-T



2.0 x 1.2 x 0.6 mm
RoHS/RoHS II Compliant

MSL=N/A:NOTAPPLICABLE

FEATURES

- Miniature 2.0 x 1.2 mm footprint
- Low 0.6 mm profile
- Industrial temperature range (-40°C to +85°C)
- ±20 ppm initial frequency tolerance

APPLICATIONS

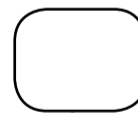
- Internet of Things (IoT)
- Industrial IoT
- Low power devices
- Real time clocks
- MCU clocking

KEY ELECTRICAL SPECIFICATIONS

| Parameters | Minimum | Typical | Maximum | Units | Notes |
|-----------------------------------|-----------------------------|---------|---------|--------------------|-----------------|
| Frequency | | 32.768 | | kHz | |
| Operation Mode | Flexural Mode (Tuning Fork) | | | | |
| Operating Temperature Range | -40 | | +85 | °C | |
| Storage Temperature | -55 | | +125 | °C | |
| Frequency Tolerance @ +25°C | -20 | | +20 | ppm | Tested at 0.5uW |
| Temperature Coefficient: | -0.04 | -0.03 | -0.02 | ppm/T ² | |
| Turn-over temperature: | +20 | +25 | +30 | °C | |
| Equivalent series resistance (R1) | | | 90 | kΩ | |
| Load capacitance (CL) | | 12.5 | | pF | |
| Drive Level | | 0.1 | 0.5 | μW | |
| Q value | 9000 | | | | |
| Aging@25°C±3°C | -3 | | 3 | ppm | First year |
| Insulation Resistance | 500 | | | MΩ | @ 100Vdc ± 15V |

PART IDENTIFICATION

ABS06-127-32.768KHZ -



Packaging

Blank: Bulk

T3: 3kpcs / reel

SMD LOW PROFILE CRYSTAL



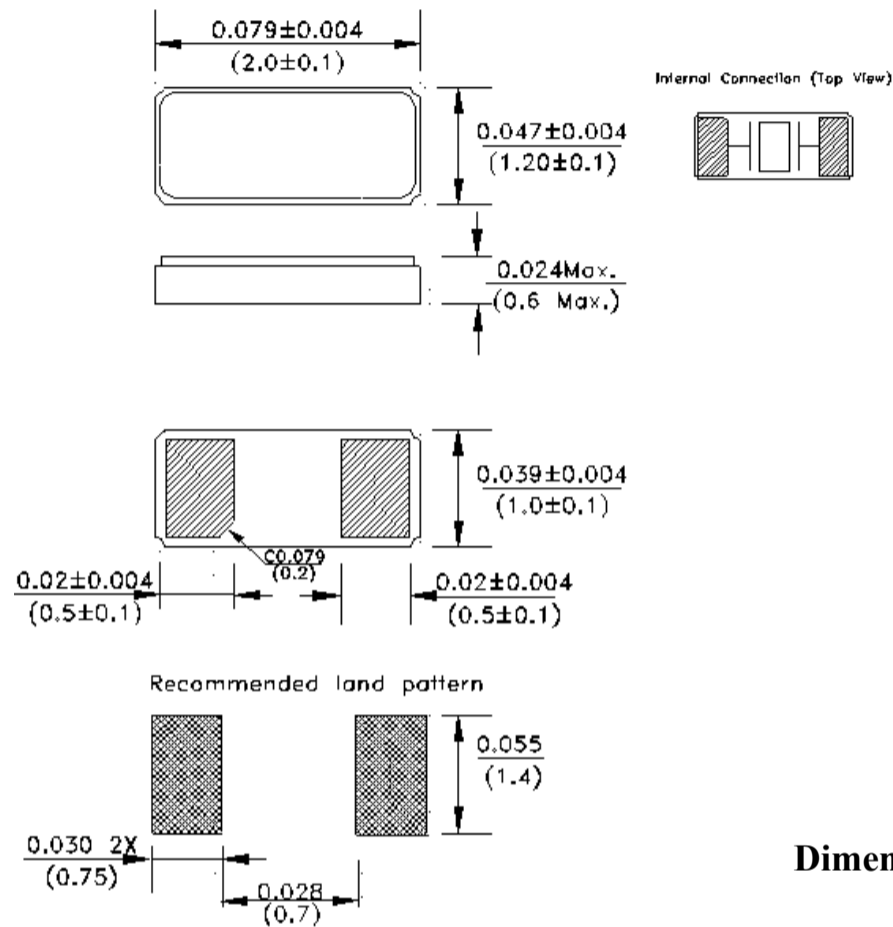
ABS06-127-32.768KHZ-T



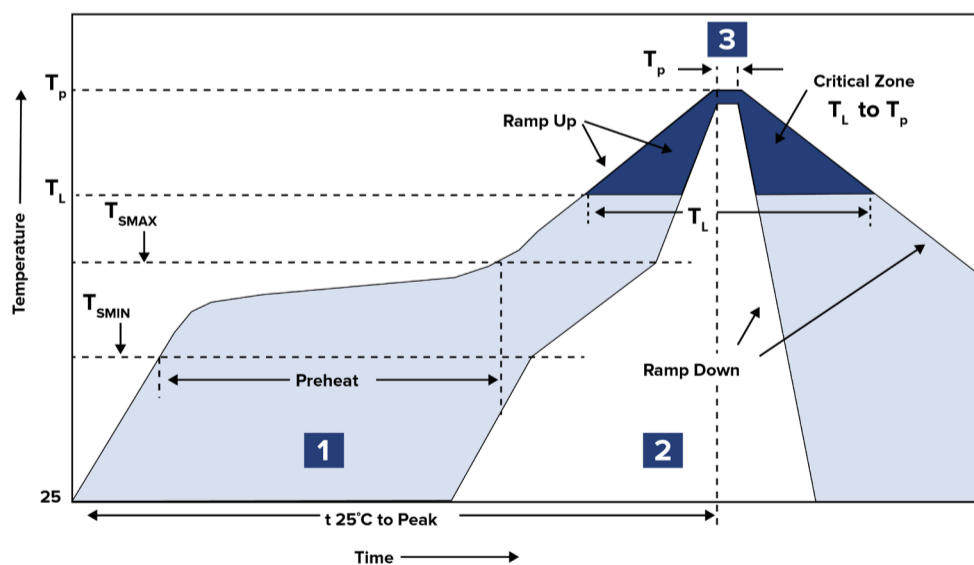
2.0 x 1.2 x 0.6 mm
RoHS/RoHS II Compliant

MSL=N/A:NOTAPPLICABLE

MECHANICAL DIMENSIONS



REFLOW PROFILE



| Zone | Description | Temperature | Time |
|------|-------------|---|---------------|
| 1 | Preheat | $T_{SMIN} \sim T_{SMAX}$ 150°C ~ 180°C | 60 ~ 120 sec. |
| 2 | Reflow | T_L 230°C | 30 ~ 40 sec. |
| 3 | Peak Heat | T_P 260°C | 10 sec. MAX |

SMD LOW PROFILE CRYSTAL



ABS06-127-32.768KHZ-T

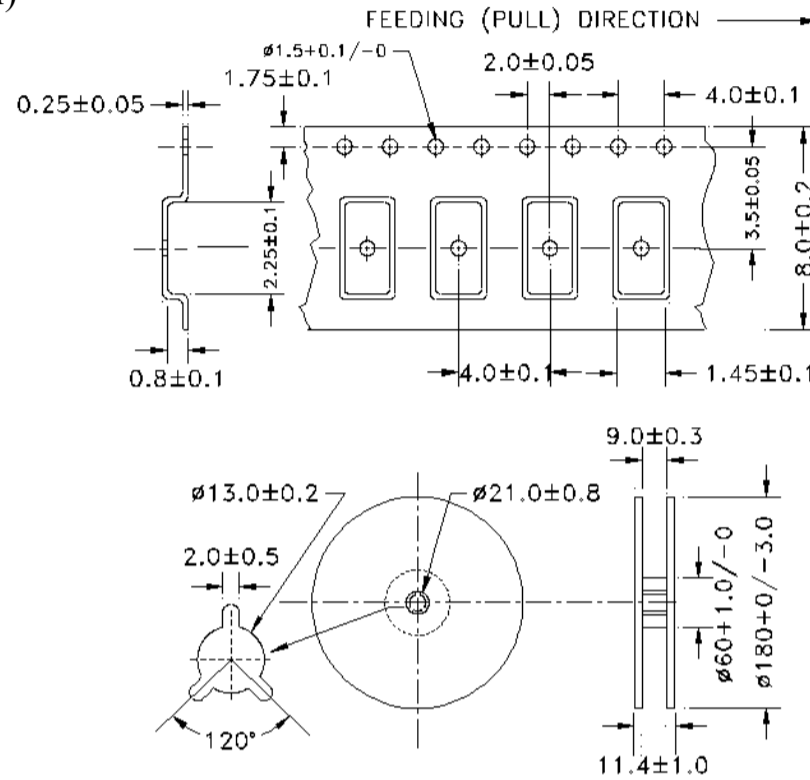


2.0 x 1.2 x 0.6 mm
RoHS/RoHS II Compliant

MSL=N/A:NOTAPPLICABLE

PACKAGING

T=Tape and reel (3,000pcs/reel)



Dimensions: mm

X-ON Electronics

Largest Supplier of Electrical and Electronic Components

Click to view similar products for [Crystals](#) category:

Click to view products by [ABRACON](#) manufacturer:

Other Similar products are found below :

[MC405 32.0000K-R3:PURE SN](#) [7B-27.000MBBK-T](#) [MP1-8.0 99-BU](#) [9B-15.360MBBK-B](#) [PTX-A2JM-10.000M](#) [9C-7.680MBBK-T](#) [H10S-12.000-18-EXT-TR](#) [R38-32.768-12.5-5PPM-NPB](#) [BTD1062E05A-513](#) [21U15A-21.4MHZ](#) [RTX-781DF1-S-20.950](#) [LFXTAL066198Cutt](#) [9C-14.31818MBBK-T](#) [A-11.000MHZ-27](#) [SPT2A-.032768B](#) [SPT2A.032768G](#) [SSPT7F-9PF20-R](#) [FX325BS-38.88EEM1201](#) [MP-1-25.000MHZ-3L](#) [MP-1-6.000MHZ](#) [LFXTAL065253Cutt](#) [LFXTAL066431Cutt](#) [XT9S20ANA14M7456](#) [XT9SNLANA16M](#) [646G-24-2](#) [7B-30.000MBBK-T](#) [6504-202-1501](#) [6526-202-1501](#) [BTJ120E02C](#) [SG636PCE-20.000MC](#) [3404](#) [C1E-24.000-7-2020-R](#) [C1E-19.200-12-1530-X-R](#) [C1E-16.000-12-1530-X-R](#) [FL5000014](#) [EUCA18-3.1872M](#) [425F35E027M0000](#) [17196](#) [MS3V-T1R-32.768kHz-7pF-20PPM-TA-QC-Au](#) [VXM7-1C1-16M000](#) [MS1V-T1K-32.768kHz-10pF-20PPM-TA-QC-Au](#) [MS1V-T1K-32.768kHz-12.5pF-20PPM-TA-QC-Au](#) [MS3V-T1R-32.768kHz-9pF-20PPM-TA-QC-Au](#) [17000](#) [17301](#) [16875](#) [ECS-80-18-30B-JEM-TR](#) [ECS-100-10-30B-CKL-TR](#) [MS1V-T1K-32.768kHz-6pF-20PPM-TA-QC-Au](#)